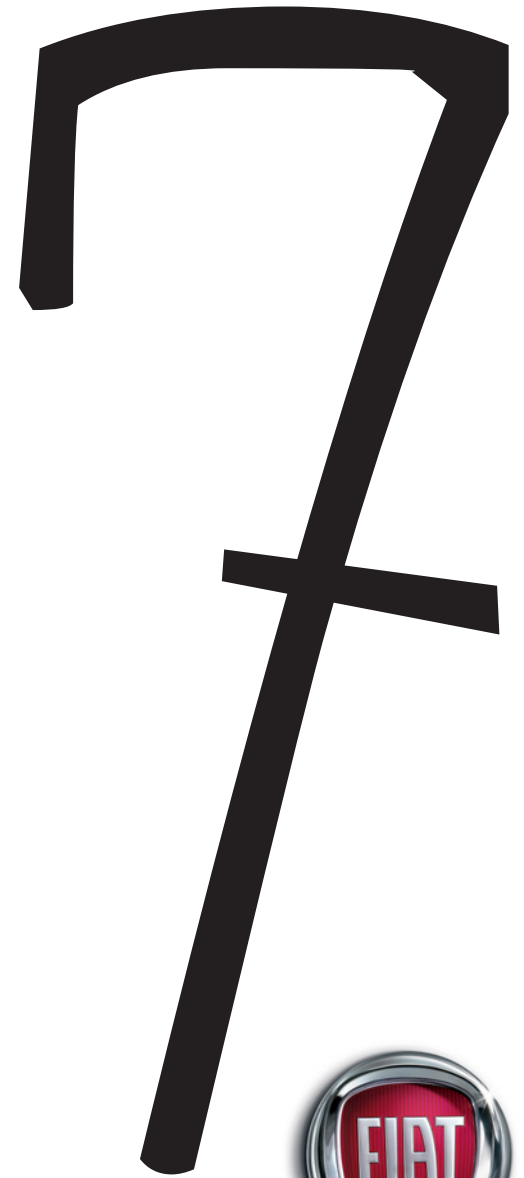


7 sins for 7 Pandas.



7 sins for 7 Pandas.

For those who love undiluted Italian spirit.  
For those who long to travel for the pleasure of it. For those who are always looking for a great deal. For those who hate compromises. For those who want to do their bit for the environment. For those who fancy something uniquely cool. For those with a weakness for beautiful things... Everyone has a small vice. Panda. The perfect guilt-free indulgence.



1 Lust:  
For those who long for luxury.





# Panda Eleganza

Panda Eleganza is pure concentrated essence of luxury. We've made sure that nothing has been left out, so that comfort, safety and performance are uncompromised. The result is a car that has all the features, details and technology that your heart desires.



2 Envy:  
Your friends are about to go green.





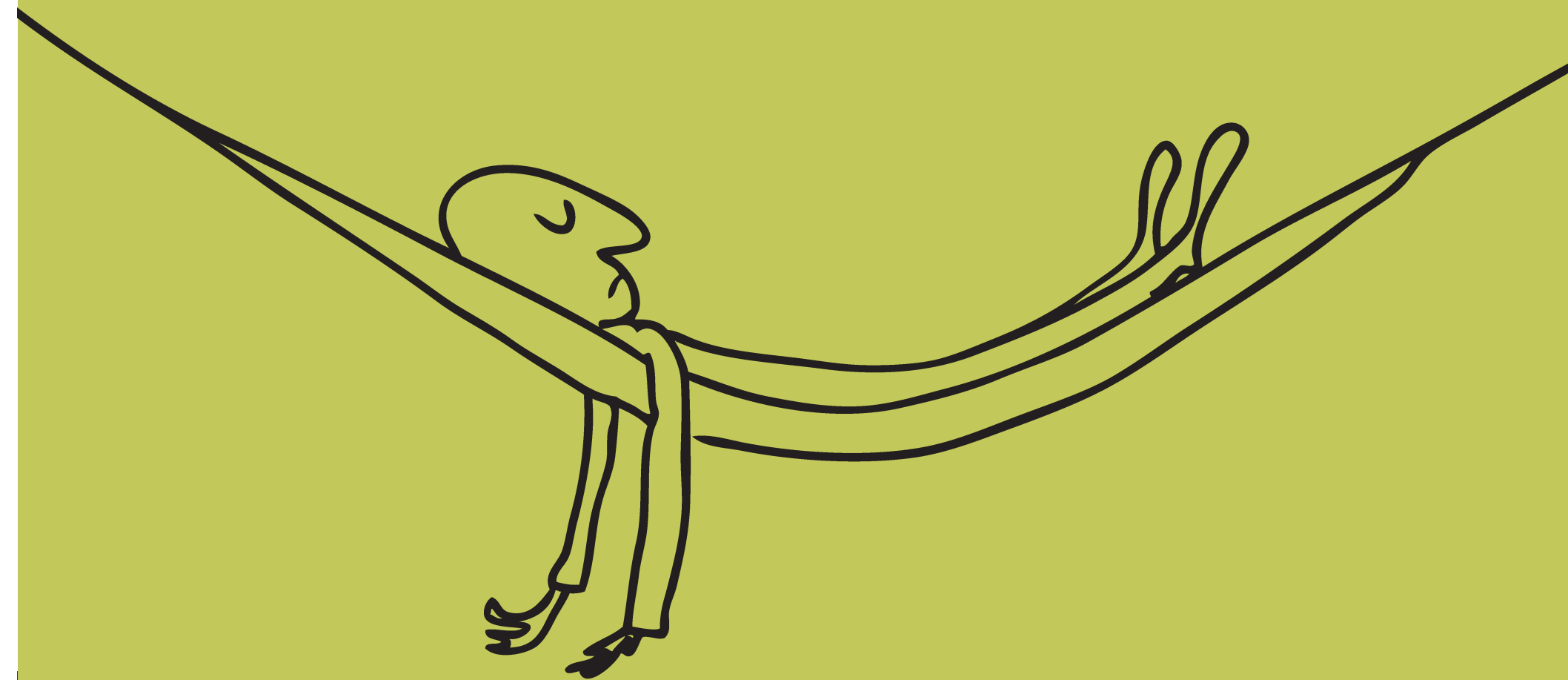
## Panda Dynamic Eco

Panda Dynamic Eco is distinctly exclusive. Stylish, and spacious, it's loaded with desirable standard features and powered by a flexible and lively 1.2 engine. Dynamic Eco by name and nature, this Panda could leave your passengers feeling a twinge of envy.



## 3 Sloth:

Relax, everything's at your fingertips.

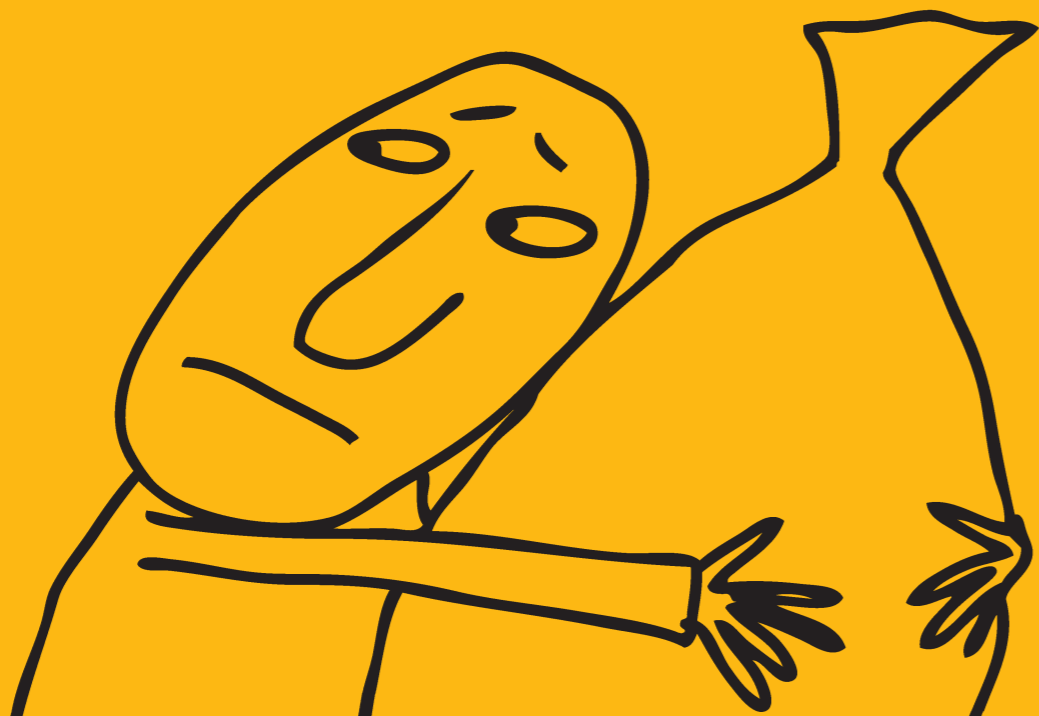


## Panda 1.3 MultiJet Dynamic

For the ultimate easy life, choose Panda 1.3 MultiJet Dynamic. At the touch of a button, the Aircon aids relaxation with chilled air on hot days and faster demisting for those cold winter mornings. The optional Dualogic clutchless semi-automatic transmission has three programmes designed to match your driving style. No fuss, no effort, no better way to take it easy.



4 Greed:  
Get more for less!



## Panda Active Eco

Panda Active Eco gives you many options as standard - such as ABS and passenger airbags. So what more could you want? And for green-minded drivers, it now comes with more efficient rolling index tyres, and less viscous engine oil combining to provide the low, low emission level of just 119g/Km. Quick, grab one before someone else does.





5 Gluttony:  
Go anywhere, indulge yourself.



## Panda 4x4

Fiat's test drivers took Panda 4x4 across more than a million kilometres of the world's toughest terrain, from Lapland to South Africa, so you can go (almost) anywhere you want. And with 5cm of extra ride height, you can see much more on every adventure. Go anywhere, do everything. Have your cake and eat it!





6 Wrath:  
Unleash it with care.





## Panda 100HP

With 100 brake horse power bursting to get out of its 1.4 16v engine, Panda 100HP has an attitude problem: it won't be left behind. Escaping the urban crawl is even more fun when you press the sport button.

Select 'Sport' to sharpen throttle and steering response still further from the 'Normal' setting. Just don't provoke it.



## 7 Pride:

For people who like to turn heads.



## Panda Cross

The Panda Cross is not for those who want to blend into the background. On the outside, it's conspicuous side mouldings, 15" alloy wheels and brilliant chrome effects are perfect for letting your personality shout out. But it's what's hidden inside that really makes you proud: ESP including ASM/MSR, reliable Hill Holder, all-wheel drive and steering-wheel audio controls. The powerful Aircon will also keep you feeling cool as you beam behind the wheel.







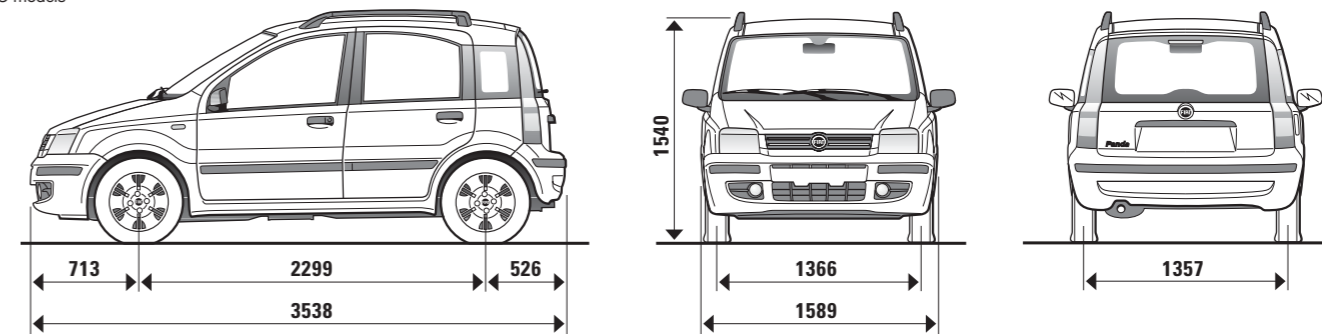


# Technical specifications

	1.1	1.2	1.2	1.4 16v	1.3 16v MULTIJET
<b>ENGINE</b>	<b>Active ECO</b>	<b>Dynamic ECO - Eleganza</b>	<b>4x4</b>	<b>100HP</b>	<b>Dynamic - Cross</b>
No. cylinders, arrangement	4, in line, front, transverse	4, in line, front, transverse	4, in line, front, transverse	4, in line, front, transverse	4, in line, front, transverse
Bore x stroke (mm)	70 x 72	70.8 x 78.86	70.8 x 78.86	72 x 84	69.6 x 82
Capacity (cc)	1108	1242	1242	1368	1248
Emission level	Euro 4	Euro 4	Euro 4	Euro 4	Euro 4
Emission control	Three-way catalytic converter, 2 lambda probes, EOBD	Three-way catalytic converter, 2 lambda probes, EOBD	Three-way catalytic converter, 2 lambda probes, EOBD	Three-way catalytic converter, 2 lambda probes, EOBD	Oxidising catalytic converter, electrical EGR valve
Compression ratio	9.6 : 1	9.8 : 1	9.8 : 1	10.8 : 1	18 : 1
Max EC power: bhp (KW) @ rpm	54 (40) @ 5000	60 (44) @ 5000	60 (44) @ 5000	100 (73.5) @ 6000	70 (51) @ 4000
Max EC torque: Nm (kgm) @ rpm	88 (9) @ 2750	102 (10.4) @ 2500	102 (10.4) @ 2500	131 (13.4) @ 4250	145 (14.8) @ 1500
Timing gear drive	SOHC	SOHC	SOHC	DOHC	DOHC (with Hydraulic tappets)
Fuel	Unleaded petrol	Unleaded petrol	Unleaded petrol	Unleaded petrol	Diesel
Fuel system	Timed, sequential electronic MPI, integrated with ignition, returnless system	Timed, sequential electronic MPI, integrated with ignition, returnless system	Timed, sequential electronic MPI, integrated with ignition, returnless system	Timed, sequential electronic MPI, integrated with ignition, returnless system	Electronically controlled Common rail MultiJet direct injection with turbocharger and intercooler
Ignition	Static advance, electronic, integrated with injection	Static advance, electronic, integrated with injection	Static advance, electronic, integrated with injection	Static advance, electronic, integrated with injection	By compression
<b>TRANSMISSION</b>					
Drive	front	front	4x4	front	front
Gearbox: no. gears	5 + reverse	5 + reverse	5 + reverse	6 + reverse	5 + reverse
Gearbox options	-	Dualogic 5 + reverse	-	-	-
Final ratio	3.562 : 1	3.438 : 1	4.929 : 1	4.071 : 1	3.438 : 1    4.062 : 1†
<b>STEERING</b>					
Type	Rack and pinion with Dualdrive electric power assistance	Rack and pinion with Dualdrive electric power assistance	Rack and pinion with Dualdrive electric power assistance	Rack and pinion with Dualdrive electric power assistance	Rack and pinion with Dualdrive electric power assistance
Turning circle (m)	9.1	9.1	9.6	10	9.1
<b>BRAKES – D (disc) - T (drum)</b>					
Front: dia. (mm)	D 240	D 240	D 240 ventilated	D 257 ventilated	D 240 ventilated    D257†
Rear: dia. (mm)	T 180	T 180	D 240	D 240	T 180    D240†
<b>SUSPENSION</b>					
Front	MacPherson independent wheel type, with lower control arms, stabiliser bar anchored to damper	MacPherson independent wheel type, with lower control arms, stabiliser bar anchored to damper	MacPherson independent wheel type, with lower control arms, stabiliser bar anchored to damper	MacPherson independent wheel type, with lower control arms, stabiliser bar anchored to damper	MacPherson independent wheel type, with lower control arms, stabiliser bar anchored to damper
Rear	Torsion beam axle with inter-connected wheels	Torsion beam axle with inter-connected wheels	Independent	Torsion beam axle with inter-connected wheels	Torsion beam axle with inter-connected wheels

	1.1	1.2	1.2	1.4 16v	1.3 16v MULTIJET
<b>WHEELS</b>	<b>Active ECO</b>	<b>Dynamic ECO - Eleganza</b>	<b>4x4</b>	<b>100HP</b>	<b>Dynamic - Cross</b>
Tyres	155/80 R13	155/80 R13 165/65 R14 Alloy wheels (Eleganza)	185/65 R14	185/65 R15	155/80 R13    175/65 R15 Alloy wheels†
<b>CAPACITIES</b>					
Fuel tank capacity (litres)	35	35	30	35	35
<b>PERFORMANCE</b>					
Top speed (mph)	93	96	90	115	99    94†
Acceleration 0-62 mph (sec)	15	14	20	9.5	13    18†
<b>FUEL CONSUMPTION (EC Directive 99/100)</b>					
		Manual    Dualogic			
Urban cycle mpg (l/100 km)	42.8 (6.6)*	39.8 (7.1) / 42.8 (6.6)*    41.5 (6.8)	35.8 (7.9)	32.5 (8.7)	52.3 (5.4)    42.2 (6.7)†
Extra-urban cycle mpg (l/100 km)	68.9 (4.1)*	58.9 (4.8) / 68.9 (4.1)*    61.4 (4.6)	48.7 (5.8)	53.3 (5.3)	76.3 (3.7)    67.3 (6.2)†
Combined mpg (l/100 km)	56.5 (5.0)*	50.4 (5.6) / 56.5 (5.0)*    52.3 (5.4)	42.8 (6.6)	43.5 (6.5)	65.7 (4.3)    54.3 (5.2)†
CO <sub>2</sub> exhaust emissions (g/km)	119*	133/119*    127	156	154	114/136†
<b>DIMENSIONS</b>					
Wheelbase (mm)	2299	2299	2305	2299	2299    2305†
Length (mm)	3538	3538	3574	3578	3538    3581†
Width (mm)	1578	1578	1605	1606	1578    1611†
Max unladen height (mm)	1540	1540	1632	1522	1540    1643†
Front track (mm)	1366	1366	1366	1378	1366    1387†
Rear track (mm)	1357	1357	1358	1368	1357
Front overhang (mm)	713	713	721	720	713
Rear overhang (mm)	526	526	548	548	526
Luggage compartment capacity (dm <sup>3</sup> ) min/max	206/860	206/860	206/860	206/860	206/860    230/780†
<b>WEIGHTS</b>					
Vehicle kerb weight (kg)	840	860	980	975	935    1090†
Max towable weight (kg)	800	800	800	800	900

† Cross only.    \* Figures for ECO models





# Standard and optional equipment

	ACTIVE ECO	DYNAMIC ECO	DYNAMIC MULTIJET	ELEGANZA	100HP	4x4	CROSS
<b>STYLE FEATURES</b>							
Black front grille	■	-	-	-	-	-	-
Front grille with chromed inserts and painted edges	-	■	■	■	■	■	■
Black bumpers	-	-	-	-	-	-	-
Body coloured bumpers	■	■	■	■	■	■	■
Side rubbing strips	-	-	-	■	-	■	■
Roof bars	○	○	○	■	○	■	■
Rear spoiler and body-coloured sideskirts	-	-	-	-	■	-	-
13" steel wheels with hub caps	■	■	■	-	-	-	-
14" alloy wheels	-	-	○	■	-	■	-
15" alloy wheels	-	-	-	-	■	-	■
Metallic paint	○	○	○	○	○	○	○
Special paint	○	○	○	○	○	○	-
Leather trimmed steering wheel	-	-	-	-	■	-	■
<b>COMFORT / FUNCTIONALITY</b>							
Fiat CODE immobiliser	■	■	■	■	■	■	■
Remote central locking with active handle on tailgate	-	■	■	■	■	■	■
Dualdrive electric power steering	■	■	■	■	■	■	■
"Instrument panel with analog indicators, water temp and fuel gauges"	■	-	-	-	-	-	-
Multifunctional instrument panel with rev counter and trip computer	-	■	■	-	-	■	■
Multifunctional reconfigurable instrument panel with message and outside temperature display	-	○*	○*	■	■	-	○*
Height adjustable steering wheel	■	■	■	■	■	■	■
"Follow me Home" headlights	■	■	■	■	■	■	■
Fog lights	-	○	○	○	■	■	■
Electric front windows	■	■	■	■	■	■	■
Windscreen wiper with intelligent washer	■	■	■	■	■	■	■
Heated rear window with wiper washer	■	■	■	■	■	■	■
Passenger sun visor with vanity mirror	■	■	■	■	■	■	■
Oddments compartment with lid on fascia	■	■	■	■	■	■	■
Internally adjustable door mirrors	■	■	■	-	-	■	-
Electrically adjustable door mirrors	-	-	-	■	■	○	■
Air recirculation facility	■	■	-	-	-	■	■
Air conditioning with pollen filter	-	■	■	-	-	-	■
Automatic climate control with pollen filter	-	○	○	■	■	○	○
Dualogic transmission <sup>2,5</sup>	-	-	○	○	-	-	-
Illuminated boot	-	-	-	■	■	■	■

\*Available in conjunction with Automatic Climate Control

	ACTIVE ECO	DYNAMIC ECO	DYNAMIC MULTIJET	ELEGANZA	100HP	4x4	CROSS
<b>STYLING</b>							
Central console with cup holders and 12v power socket	-	■	■	■	■	■	■
Cigarette lighter	-	○	○	○	■	○	○
Folding rear seatback	■	■	■	-	-	■	-
Split folding (50/50) rear seat with height adjustable head restraints	-	○	○	■	■	■	■
Split folding (50/50) and sliding rear seat with height adjustable head restraints	-	○	○	○	-	■	○
Rear parking sensor	-	○	○	○	-	-	-
Skydome electric sunroof <sup>2</sup>	-	○	○	○	○	○	○
Space saver spare wheel	■	■	■	■	■	■	■
<b>SAFETY</b>							
Driver's airbag	■	■	■	■	■	■	■
Passenger airbag with manual deactivation	■	■	■	■	■	■	■
FPS (Fire Prevention System)	■	■	■	■	■	■	■
ABS with EBD (Electronic Brake Distribution)	■	■	■	■	■	■	■
Rear seat belts with retractors (2 seats)	■	■	■	■	■	■	■
Front seat belts with retractors, pretensioners and load limiters	■	■	■	■	■	■	■
Controlled energy dissipation reinforced body structure	■	■	■	■	■	■	■
Pedal support with predetermined failure mode in a crash	■	■	■	■	■	■	■
Front and rear seats with antisubmarining cross-piece	■	■	■	■	■	■	■
Height adjustable driver seat	-	○	○	■	■	■	■
Reclining front seats	■	■	■	■	■	■	■
Fabric front head restraints	-	○	○	■	■	■	○
ESP (Stability control system) including ASR/MSR and Hill Holder <sup>4</sup>	-	○	○	○	-	○	■
Side Window airbag	-	○	○	○	○	○	○
Third rear seatbelt with retractor (5 seat) <sup>1,3</sup>	○	○	○	○	-	○	-
<b>AUDIO / TELEMATICS</b>							
Radio/CD player	■	-	-	-	-	-	-
CD/MP3 player	-	■	■	■	■	■	■
CD Multichanger (5 Disc)	-	○	○	○	○	○	○
Hi-Fi audio system (6 speakers and subwoofer)	-	○	○	○	○	○	○
Audio controls mounted on steering wheel	-	○	○	○	■	○	○
Bluetooth hands-free car kit	-	○	○	○	■	○	○

■ = standard ○ = optional - = not available

1 Incompatible with SkyDome, window airbag and split folding and sliding rear seat. 2 Only available in conjunction with 1.2. 3 This option includes two rear head restraints. 4 Incompatible with Dualogic. 5 Includes electrically adjustable mirrors.



# Fiat customer benefits

**When you buy a new Fiat, you buy more than just a car. Behind every car we sell there is the reassurance of a whole range of customer benefits and services designed to make the ownership of your Fiat as enjoyable, affordable and trouble free as possible.**

---

## **2 YEAR, UNLIMITED MILEAGE, MANUFACTURER WARRANTY**

Any repairs required as the result of faulty materials or manufacturer is carried out free of charge – both for parts and labour.

## **3RD YEAR DEALER WARRANTY†**

This warranty covers most electrical and mechanical components in the third year, or up to 60,000 miles from the date of first registration, whichever occurs first. The warranty is provided free of charge and is subject to conditions (full details are available from your Fiat dealer).

## **3 YEAR PAINTWORK WARRANTY**

Any paintwork defects due to faulty materials or manufacturer will be rectified free of charge during the first 3 years.

## **8 YEAR ANTI PERFORATION WARRANTY**

Any perforation of the bodywork due to corrosion will be repaired free of all parts and labour charges during the first 8 years.

## **12 MONTHS PART AND REPAIR GUARANTEE**

All genuine Fiat parts are guaranteed for 12 months, or the duration of the prevailing warranty on the vehicle, as are repairs carried out by any Fiat dealer using genuine parts.

## **FIXED SERVICE COSTS**

All Fiat dealers operate a “Menu Pricing” programme, which guarantees fixed service and replacement costs, with no hidden extras. The price you see is the price you’ll pay, unless you have given your consent for further work to be carried out.

## **INFORMATION AND CUSTOMER SERVICE**

CIAO FIAT is the new single freephone number for customers and prospective customers - 00800 3428 0000\*. CIAO FIAT provides you with access to all our products and services in the UK and can be used even when you are abroad (the number can be called from most countries in Europe). The call is free from land lines in the UK and all Europe (except Switzerland). Mobile network charges may vary depending on whom your contract is with. Fiat also believe it is important to stay in contact with you and will, subject to your agreement, telephone you from time to time to ensure that you are happy with your Fiat and the service you receive from your dealer. You can also access information about Fiat products and services online on our comprehensive website at [www.fiat.co.uk](http://www.fiat.co.uk).

†Only applicable to UK vehicles sourced through Fiat Group Automobiles UK Ltd.

\*Pan-European Freephone number from all UK land lines. A minimum charge applies to calls made from mobiles based on network rates.

# Insured products and services

The following insured products and services are provided through Fiat Financial Services\*.

## **1 YEAR'S AA ASSURANCE COVER**

All new Fiats come with 1 year's AA Assurance cover, which includes Roadside Assistance, Home Start, Relay, Relay Plus, European Cover and Accident Management.

This insured service is provided on a free of charge basis and is available 24 hours a day, throughout the year. AA Assurance also provides free access to travel information, legal advice and technical information.

## **FIAT MOTOR INSURANCE**

Comprehensive car insurance is available at competitive premiums, with up to 65% No Claims Bonus transferable from your existing policy after five consecutive years of claim free driving.

For a quotation, either ring 0870 241 3805, or visit online through [www.fiat.co.uk](http://www.fiat.co.uk)

## **FINANCE PLANS**

Fiat Financial Services offers a comprehensive range of financial plans to suit private and business customers alike. Fiat I-deal, Fiat Finance Lease, Fiat Lease Purchase and traditional Hire Purchase can adapt to suit your individual requirements, whatever they may be.

For example, you may wish to include the cost of one of our Credit Protection Plans (both Payment Protection and Asset Protection are available), which provides added security for you, your family and your investment. Your Fiat dealer will be pleased to design a specific plan for you.

Please ask for more information. Written quotations available on request. \*\*\*

## **FIAT CONTRACT HIRE\*\***

### **CONTRACT HIRE FOR THE BUSINESS USER**

More and more businesses are turning to Contract Hire as a simple, tax efficient way of financing their fleet. Contract Hire allows the use of a vehicle for a pre-determined fixed period and cost (subject to mileage and conditions) and has many features and benefits that your Fiat dealer will be delighted to discuss with you.

### **PERSONAL CONTRACT HIRE FOR THE USER CHOOSER**

If you are a company car driver with a “User Chooser” policy, very competitive quotations can be obtained through Fiat Contract Hire.\*\*\*

At Fiat Contract Hire we also provide a full support service, including maintenance, relief vehicle, AA Assurance and accident management, saving you time to concentrate on running your business. For more information, please contact your Fiat dealer, or call 01753 486885.

Contract Hire finance facilities are available subject to credit approval. Written quotations are available from Fiat Contract Hire, 240 Bath Road, Slough, Berkshire, SL1 4DX.

\*Fiat Financial Services is a trading style of FGA Capital UK Ltd. FGA Capital UK Ltd is authorised and regulated by the Financial Services Authority for General Insurance.

\*\*Fiat Contract Hire is a trading style of FGA Contracts UK Limited which is an appointed representative of FGA Capital UK Limited.

\*\*\*Credit available to anyone aged 18 or over, subject to status. A guarantee and/or indemnity may be required





CIAO FIAT is the new single freephone number for customers and prospective customers – 00800 3428 0000. CIAO FIAT provides you with access to all our products and services in the UK and can be used even when you are abroad (the number can be called from most countries in Europe). The call is free from land lines in the UK and all Europe (except Switzerland). Mobile network charges may vary depending on whom your contract is with.

[www.fiat.co.uk](http://www.fiat.co.uk)

Performance figures supplied by Fiat SpA. Fuel consumption figures are in accordance with the Passenger Car Fuel Consumption and CO<sub>2</sub> Emissions Information Regulations 2001.

Products offered for sale may differ from those described or illustrated in this brochure due to later production changes in specifications, components or place of manufacture. The contents of this brochure are therefore to be treated as representations as to the current availability of products as described, or as to products actually offered for sale. Fiat Group Automobiles UK Ltd. reserves the right to make changes at any time, without notice, to prices, colours, materials, equipment, specifications and models and also to discontinue models. Variations in product specification do occur from time to time – please check the exact specification with the dealer at the time of order. Fiat Group Automobiles UK Ltd, Fiat House, 240 Bath Road, Slough SL1 4DX.

**Ed. 02/09**

Fiat Marketing 04.2.5141.52 - S - 04/2009 - Printed in Italy - Arti Grafiche GIACONE - Chieri (TO)

