



Falcon Ute



At Ford, with such a long and successful motoring heritage behind us, we understand that everyone's lifestyle is different. What you look for in a vehicle will be different from the next person. It could be a vehicle that allows you to fit in all the family and hit the open road for the weekend, a zippy urban car that's perfect for tackling city traffic, or maybe you need a vehicle that allows you to play as hard as you work. We'd like to think that our family of vehicles is proof that Ford never stops looking forward, designing and engineering vehicles that catch your eye, are technologically advanced, consider the environment and help keep you safe. In short, no matter what your lifestyle, you're sure to find a Ford that can help you live more of your life.



Irresistible Design:

Because everyone's idea of the perfect car is different, Ford have designed and engineered a family of exciting, athletic and sleek vehicles that look great inside and out.



Great to sit in, great to drive:

There's nothing quite like driving a Ford. That's because every Ford is built from the ground up to be exhilarating to drive, with high levels of interior comfort along with the very latest safety systems that help keep you in control and protect you and your passengers.



Sustainability:

Ford recognises that climate change is a significant global challenge. We have an ongoing commitment to caring for the environment in every facet of our business, including delivering alternative fuel solutions such as diesel and LPG.



Innovation and Technology:

Thinking smarter means a comfortable, safe and enjoyable drive every time you turn the key. Our innovative solutions to everyday tasks using the latest technology save you time and connect you to the digital world.



Built to Last:

Every Ford is built not just for today but for tomorrow as well. So, when you buy a Ford you enjoy the type of quality that you can rely on, day in day out. Not just the look and feel, but the way it performs and the way it lasts.



When it comes to getting the job done, the Falcon Ute really delivers. With the availability of cab chassis and a one tonne payload, plus a choice of powerful, torquey, technologically advanced engines, including the ultra-economical E-Gas engine, Falcon Ute has the brute strength and power to tackle just about any job going. And with car-like comfort and handling, along with a host of the latest technology on board, working conditions have never been better.



Work hard



Falcon XR6 Cab Chassis shown with optional aluminium tray.

WORK HARD

A real workhorse.

Well equipped to tackle hefty payloads and able to tow serious weight, you can rely on the Falcon Ute to get your job done.

Regardless of whether you're loading up the tools or towing the boat, the Falcon Ute has true workhorse ability. There are payloads of up to 1.2 tonnes* available and towing capacity up to a massive 2,300kg.* The availability of a Cab Chassis provides the versatility and flexibility to create a unique solution for your business needs, including the option of a factory fitted aluminium tray. Alternatively, the Styleside Box has a tough, fully integrated bedliner to protect your work equipment against daily wear and tear.



Flush-fit soft tonneau cover.

The flush-fit soft tonneau cover is stylish and flexible enough to handle a range of load types, including the ability to fit the tonneau cover securely over high loads.

*Falcon Ute and R6 Cab Chassis models and XR6 Cab Chassis model with optional one tonne suspension only. #Braked towing capacity of vehicles with optional automatic transmission, when fitted with Genuine Ford heavy duty towpack including load levelling kit. Subject to State and Territory regulations.



Falcon R6 Styleside Box shown. Falcon Ute Cab Chassis shown with optional aluminium tray and accessory 1-tonne alloy wheels.

INTERIOR

Five-star comfort.

The Falcon Ute interior provides you with a comfortable and involving drive, so you'll find that after a long day on the job, getting behind the wheel is something to look forward to.

After a long day on the job, sit back in the 4-way power adjustable driver's seat and enjoy the engaging drive or simply relax in the peace and quiet of the ergonomically designed interior. The spacious cabin in the Falcon Ute not only maximises space and comfort but the cockpit-like design surrounds you and allows you to really get involved the moment you turn the key.



Supercab design.

The generous space behind the seats provides real storage for your toolboxes and other work gear.



Optional 3 across seating.

Complete with centre head restraint, the three across seating with column shift auto provides extra passenger capacity when needed.*

*Only available on Falcon Ute model.



XR interior shown with optional automatic transmission.

INTERIOR

Car-like features.

With such an impressive list of car-like features, the Falcon Ute puts you comfortably in control.

While the Falcon Ute is more than capable of getting the job done, there is a real car-like feel to the interior and the way it drives, so getting to and from work is more comfortable than ever. The eye-catching, modern instrument panel and centre console puts all of the controls at your fingertips for greater convenience and ease of use, meaning less time with your eyes off the road.



Automatic climate control.

You will enjoy perfect working conditions whenever you get behind the wheel.*

*Optional on Falcon Ute and R6 models.



Falcon R6 Ute interior shown with optional automatic climate control.

The latest technology.

Whether it's travelling to the worksite or cruising on a weekend, on-board technology makes your journey more enjoyable.

Get behind the wheel of the Falcon Ute and you will feel like some of the very latest technology is at your disposal. And it is. From the convenience of standard iPod integration[^] and hands-free Bluetooth[®]** with steering wheel mounted controls, to the high-resolution graphics of the optional satellite navigation system; the technology in the Falcon Ute makes work and play so much easier.



Multi-function Display.

The easy-to-read Multi-function Display allows you to check everything at a glance, from speed and journey distance to vehicle warnings and more.

XR Ute interior shown with optional XR Luxury Pack.



Satellite navigation system with Suna[™] Traffic Channel:

Guides you to your destination via a map on the large 7" colour ICC screen and voice commands integrated within the vehicle's audio system. The Suna Traffic Channel provides dynamic road traffic information, keeping you informed to help avoid congestion and providing re-routes around traffic incidents.



Bluetooth[®] mobile phone integration:



iPod Integration:

Human Machine Interface (HMI).

Incorporating the Interior Command Centre (ICC), Multi-function Display and steering wheel controls, the HMI, via a customisable display screen, allows simple navigation of menus and operation of vehicle functions. This greatly increases safety, because you can easily see information such as speed, overspeed, audio information, trip computer, average fuel economy, average speed, travel time and more, minimising time that your eyes are off the road. The ICC control dial makes it simple to navigate through vehicle settings and make adjustments to features such as automatic climate control and audio settings.



Bluetooth[®] mobile phone integration:

This standard feature allows you to enjoy safe, hands-free communication while you are driving. Integrated into your vehicle's audio system.



iPod Integration:

Standard across the range, iPod integration allows you to access and play your favourite playlists, albums and podcasts on your iPod through the vehicle's audio system, with everything controlled through the ICC screen or steering wheel buttons.



Cruise control.

With steering wheel mounted controls for greater convenience and improved safety.

[™]Vehicle must be fitted with Bluetooth[®]. Ford has an arrangement to provide the Suna Traffic Channel broadcast for a minimum of 5 years from the time of vehicle manufacture. Coverage includes Melbourne, Sydney, Brisbane, Adelaide, Perth and Gold Coast metropolitan areas. Refer to www.sunattraffic.com.au for full details. [®]Bluetooth[®] is a registered trademark of Bluetooth SIG Inc., and is used under license. Customers should consult their Ford Dealer on the ability of their mobile phone handset to integrate with the Bluetooth[®] system prior to making a purchase decision. Standard from June 2010 production. [^]Not available with optional automatic column shift transmission. iPod is a trademark of Apple Inc. Please refer to www.ford.com.au for iPod compatibility. Standard from June 2010 production.

SAFETY

Safe and secure.

The Falcon Ute doesn't compromise when it comes to the very latest safety features.

No matter whether it's driving to work or heading to your favourite fishing spot on the weekend, the Falcon Ute with its long list of passive and active safety measures, including the Intelligent Safety System and the availability of Dynamic Stability Control,[†] helps to keep you and your passengers safe. The ANCAP 5 Star rated XR models make every exciting journey a safer one.^{*} And with the integrated iPod[†] and Bluetooth[®][^] technologies as standard, you can enjoy the convenience of controlling your gadgets through the steering wheel buttons while keeping your eyes on the road. Plus, the Supercab design space provides you with a lockable storage space while smaller valuables can be safely kept in the lockable glovebox, giving you peace of mind.



Airbags

Driver and front passenger airbags are standard across the range. Side head/thorax airbags are standard on XR Utes and can be optioned on other models for added protection*.

Supercab design

Provides a generous space behind the seats that also gives you a lockable storage area.



ABS

The latest Anti-lock Braking System with Electronic Brakeforce Distribution is standard across the range.

Limited-slip differential[†]

Helps to maintain traction on slippery surfaces or where the rear wheels are on different types of road surface.



Dynamic Stability Control.[†]

Dynamic Stability Control (DSC)[†] helps you avoid the problems of oversteer and understeer using ABS and Traction Control. DSC helps keep your vehicle travelling in the intended direction to avoid a potential accident.



Keyless entry.

Remote control flip key gives you the ease and added convenience of keyless entry with central locking.



Immobiliser.

Standard on all models, the electronic immobiliser provides high security protection for your Falcon Ute.



ANCAP 5 Star Rating:^{*}

The well-equipped XR models have achieved Australia's highest safety rating.

[†]Standard on XR models. Optional on Falcon Ute and R6 models with single zone climate control specified. iPod Integration not available with optional automatic column shift transmission. iPod is a trademark of Apple Inc. Please refer to www.ford.com.au for iPod compatibility. Standard from June 2010 production. [^]Bluetooth[®] is a registered trademark of Bluetooth SIG Inc., and is used under license. Customers should consult their Ford Dealer on the ability of their mobile phone handset to integrate with the Bluetooth[®] system prior to making a purchase decision. Standard from June 2010 production. *Side head/thorax airbags are standard on XR Utes from June 2010 production. ^{*}Standard on XR6 Turbo, optional on Falcon Ute, R6 and XR6. ^{**}ANCAP 5 star rating only applies to XR models from June 2010 production.

ENGINE

Power and performance.

A range of advanced, powerful engines and smooth responsive transmissions, lift your driving experience to a new level.

When it comes to a selection of engines and transmissions the Falcon Ute spoils you for choice. From the breathtaking grunt of the Turbo I6 to the E-Gas engine which is just as big on power as it is on fuel cost savings, there's an engine just right for your needs. And they're backed up by ultra-smooth, responsive transmissions, a car-like front suspension system and precision tuned rear suspension that gives you incredible control and a smoother ride.



Transmissions.

Get more involved with the responsive 6-speed manual or choose the car-like smoothness of optional 6-speed auto. A 4-speed automatic transmission with Sequential Sports Shift is standard on the E-Gas engine.



Falcon XR6 Turbo Ute shown with optional XR Luxury Pack (includes 19" alloy wheels), towpack, accessory EGR hard tonneau cover and alloy sports bar.



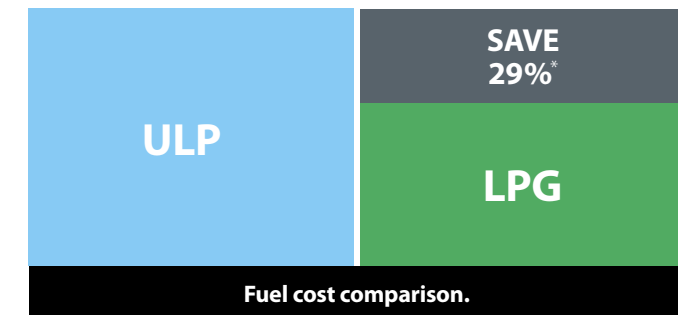
4.0L Turbo I6 engine.

Delivers the type of performance that is guaranteed to get the adrenalin pumping. The turbo system creates an awesome 270kW of power and 533Nm of torque.



4.0L I6 engine.

This torquey yet fuel efficient engine, boasting 195kW of power and 391Nm of torque, is gutsy enough to pull hefty loads.



Fuel cost comparison.

4.0L E-Gas I6 engine.*

Cutting back on costs doesn't mean sacrificing performance. With 156kW of power and 371Nm of torque, the E-Gas engine* delivers superb driving dynamics and all the muscle you need to carry and pull heavy loads. With LPG you can save up to 29%* compared with petrol when travelling over the same distance. Falcon Ute is still the only Australian built Ute with a factory fitted dedicated LPG engine and unlike dual fuel vehicles, which require the maintenance of 2 fuel systems, the E-Gas engine is built to specifically run on LPG so you'll benefit from the cost savings every time you turn the key. What's more, there's no sacrifice in load space as the LPG tank is fitted in place of the petrol tank. And, now with the \$1,500 Federal Government rebate on factory fitted LPG systems,† there's no better time to make the switch to a Falcon Ute with E-Gas.

*Optional E-Gas engine not available on Falcon XR6 Turbo. *Fuel costs and savings calculated using ADR 81/02 fuel consumption figures of 10.7L/100km (Falcon Ute Styleside Box with 4.0L petrol engine and optional 6-speed auto) and 16.2L/100km (Ford Falcon Ute Styleside Box with optional E-Gas engine and 4-speed auto). Estimated fuel costs are calculated using the average fuel price for the five major Australian capital cities of 57.97 c/L (LPG) and 123.34 c/L (unleaded petrol) from June 1, 2009 to May 30, 2010. Source: www.motormouth.com.au. The estimated fuel cost savings are based fuel cost to travel 20,000km and are: Falcon Ute Styleside Box 4.0L petrol \$2,639.48 and Falcon Ute Styleside Box E-Gas \$1,878.23. Fuel cost savings are true for the example given and changes in unleaded petrol and LPG prices will alter the cost savings calculations. †Grant available to private use customers of new vehicles only. For more information on Government grant requirements see www.usindustry.gov.au

The Falcon XR Ute is all about being able to play just as hard as you work. While the imposing full body styling kit, low stance and alloy wheels catch your eye, it's the mind-blowing performance that really sets the XR Ute apart from the pack.



Play hard



PLAY HARD

Looks you can't miss.

With its sporty, sleek lines and commanding road presence, there's simply no mistaking the mighty Falcon XR Ute.

With its dynamic looks there are very few vehicles that grab your attention quite like the Falcon XR Ute. The striking combination of unique XR headlamps, fog lights, front bumper and alloy wheels, ensures the XR Ute continues a remarkable tradition. And depending on your desire for personalisation, there's a choice of stylish accessory hard tonneau covers, optional 18" and 19" alloy wheels* plus an accessory chrome sports bar to give you the ultimate look for the street.

*19" alloy wheels only available in optional XR Luxury Pack.



Falcon XR6 Turbo shown with optional XR Luxury Pack (includes 19" alloy wheels), accessory EGR hard tonneau cover and spoiler.



Falcon XR6 Turbo Ute shown with optional XR Luxury Pack (includes 19" alloy wheels), accessory EGR hard tonneau cover and alloy sports bar.

RANGE

The Falcon Ute range.

Everybody's needs are different. Whether you're looking for a real workhorse, an eye-catching vehicle that delivers pulse-quickening performance, or you want the outstanding economy of an LPG engine, the Falcon Ute range has a vehicle that's just perfect for you.



Falcon Ute Cab Chassis



Falcon Ute Styleside Box



Falcon R6 Cab Chassis



Falcon R6 Styleside Box



Falcon XR6 Cab Chassis



Falcon XR6 Styleside Box



Falcon XR6 Turbo Ute



Exterior Colours.



Winter White



Seduce



Lightning Strike



Nitro



Edge#



Sensation



Mystic



Silhouette



Vixen



Velvet*



Harmony



Viper



Sunburst

Model	Falcon Ute / R6	XR
Winter White	✓	✓
Vixen	✓	✓
Lightning Strike	✓	✓
Sensation	✓	✓
Edge#	✓	✓
Silhouette	✓	✓
Harmony	✓	-
Seduce	-	✓
Sunburst	-	✓
Nitro	-	✓
Mystic	-	✓
Viper	-	✓
Velvet*	-	✓

✓ - Available. -- Not available.

*Available until the end of July 2010. #Available from August 2010.



XR interior shown with optional XR Luxury Pack.

Falcon Ute Interior seat trims.

With such a striking range of interior seat trims and XR seat trims including leather trim sports seats available, you can personalise your Falcon Ute to perfectly suit your driving mood.

Falcon Ute seat trim



Metro



Jacob Shadow

Falcon R6 seat trim



Active



Attitude Shadow

Falcon XR seat trims



Streetwise Graphite



Attitude Shadow



Nudo Shadow Weave Leather



Nudo Shadow Leather

MODEL	Falcon Ute	R6	XR6	XR6 Turbo
SEAT TRIM				
Metro and Jacob Shadow	S	-	-	-
Active and Attitude Shadow	-	S	-	-
Streetwise Graphite and Attitude Shadow	-	-	S	S
Nudo Shadow Leather with Silky Blue Stitch	-	-	O/P	O/P

S - Standard. **O** - Leather trim is optional at an additional cost. **-** - Not available. **P** - Part of optional pack.

Personalise your Falcon Ute. The choice is yours.

You'll quickly discover that the Ford Vehicle Personalisation accessory range lets you personalise your Falcon Ute to perfectly suit your needs. Whether it's practical and functional items to enable you to work smarter, accessories to meet the needs of your active lifestyle or sporty extras to make your Falcon Ute stand out from the crowd, all of these accessories are available from your Ford Dealer.



Soft tonneau cover. The flush-fit soft tonneau cover is stylish and flexible enough to handle a range of load types, including the ability to fit the tonneau cover securely over high loads. Also available for fitment with EGR sports bar. (sold separately)



EGR hard tonneau cover.* Lightweight and impact resistant, this cover helps keep your equipment secure and protected from rain and dust. Available in a flat or power bulge design. Can be matched to EGR sports bar (sold separately).



Spoiler. Designed for use with the EGR hard tonneau cover with power bulge. Makes your Falcon Ute look even more sporty.



XR waterproof seat covers. Help protect your seat fabric from dirt, sand, liquids and everyday wear and tear with these cleverly designed neoprene covers.



Garmin Nuvi portable Satellite Navigation Systems.* The easy-to-read navigation systems give you clear directions to your destination. Garmin Nuvi 1390T portable satellite navigation system shown.



Cabin tidy. The clever design of the cabin tidy makes it ideal for storing loose items.



Fridge 'Day Tripper' 15L. Connects to the 12V power outlet in the vehicle to keep food and drinks cool on the worksite.



Perimeter alarm. Exclusively designed for Falcon Ute. This advanced perimeter alarm is fully integrated with the vehicle's central body computer and helps to raise the level of protection for your vehicle.



Towpack. Whether it's for work or a weekend away, there is a Genuine Ford towpack to suit your needs. Choose the standard towpack for a carrying capacity of up to 1,600kg, or the heavy duty towpack (including load levelling kit) for towing up to 2,300kg.*



Rubber floor mats. Help protect the floor of your vehicle from water, mud and sand with this set of four premium, heavy duty rubber floor mats.



Scuff plates. Enhance the appearance of your Falcon Ute with these stylish alloy scuff plates. Available as a set of two front scuff plates featuring either the 'Ford' or 'XR' logo.



EGR sports bar.* Featuring aggressive and sporty styling, this strong, polished stainless steel sports bar will enhance the look of your Falcon Ute.

*This accessory is a Supplier Branded Accessory and is not manufactured or warranted by Ford. The warranty is provided by the manufacturer of the accessory. Contact your Authorised Ford Dealer for details of the manufacturer's warranty applicable to this accessory. *Subject to State and Territory regulations.

OPTIONS AND ACCESSORIES AVAILABILITY BY MODEL

	FALCON UTE		R6		XR6		XR6 TURBO
	C/C	SSB	C/C	SSB	C/C	SSB	SSB
ACCESSORIES – EXTERIOR STYLING							
16" x 7" 5-spoke alloy wheels (rated 1-tonne) ¹	A	A	A	A	–	–	–
19" x 8" XR 5-spoke alloy wheels (245/35 R19 tyres) ¹	–	–	–	–	–	P/A	P/A
18" x 8" XR 5-spoke alloy wheels ¹	–	–	–	–	O/A ²	O/A	O/A
EGR 3 piece hard tonneau cover ³	–	A	–	A	–	A	A
EGR 1 piece hard tonneau cover ³	–	A	–	A	–	A	A
EGR flat hard tonneau cover ³	–	A	–	A	–	A	A
EGR leather grain hard tonneau cover ³	–	A	–	A	–	A	A
EGR sports bar ³	–	A	–	A	–	A	A
Spoiler	–	A	–	A	–	A	A
Mullins Raker 16" alloy wheels ^{1,3,4}	–	–	–	A ²	–	–	–
Mullins Raker 17" alloy wheels ^{1,3,4}	–	–	–	–	A ²	A	A
Mullins Haze 17" alloy wheels ^{1,3,4}	–	–	–	–	A ²	A	A
Mullins Raker 18" alloy wheels ^{1,3,4}	–	–	–	–	A	A	A
Mullins Vanquish 18" alloy wheels ^{1,3,4}	–	–	–	–	A ²	A	A
Mullins Haze 18" alloy wheels ^{1,3,4}	–	–	–	–	A ²	A	A
Mullins Vanquish 19" alloy wheels ^{1,3,4}	–	–	–	–	–	A	A
ACCESSORIES – EXTERIOR PROTECTION							
Bonnet protector / headlamp guards / weathershields	A	A	A	A	A	A	A
Lights on feature	A	A	A	A	A	A	A
Mudspats - front ⁵	A	A	A	A	A	A	A
Soft tonneau cover ⁶	A	A	A	A	A	A	A
ACCESSORIES – INTERIOR STYLING, COMFORTS AND STORAGE							
Carpet mats / rubber floor mats	A	A	A	A	A	A	A
Scuff plates (set of 2)	A	A	A	A	A	A	A
Cabin tidy	A ⁷	A ⁷	A	A	A	A	A

	FALCON UTE		R6		XR6		XR6 TURBO
	C/C	SSB	C/C	SSB	C/C	SSB	SSB
ACCESSORIES – INTERIOR STYLING, COMFORTS AND STORAGE (continued)							
Cargo swing net	A	A	A	A	A	A	A
Dash mat	A	A	A	A	A	A	A
Pollen filter	A	A	A	A	A	A	A
Smoker's pack	A ⁷	A ⁷	A	A	A	A	A
XR waterproof seat covers ⁸	–	–	–	–	A	A	A
ACCESSORIES – IN CAR ENTERTAINMENT AND ELECTRICAL							
Garmin Nuvi 500 portable satellite navigation system ³	A	A	A	A	A	A	A
Garmin Nuvi 765 portable satellite navigation system ³	A	A	A	A	A	A	A
Garmin Nuvi 1250 portable satellite navigation system ³	A	A	A	A	A	A	A
Garmin Nuvi 1260 portable satellite navigation system ³	A	A	A	A	A	A	A
Garmin Nuvi 1350 portable satellite navigation system ³	A	A	A	A	A	A	A
Garmin Nuvi 1390 portable satellite navigation system ³	A	A	A	A	A	A	A
Garmin Nuvi 1390T portable satellite navigation system ³	A	A	A	A	A	A	A
Go Technologies Reversing Camera System – Kit 1 ³	A	A	A	A	A	A	A
Go Technologies Reversing Camera System – Kit 3 ³	A	A	A	A	A	A	A
Go Technologies Wireless Adaptor ³	A	A	A	A	A	A	A
Fridge 'Day Tripper' 15L/fridge power adaptor	A	A	A	A	A	A	A
ACCESSORIES – SAFETY AND SECURITY							
Perimeter alarm	A	A	A	A	A	A	A
ACCESSORIES – TOWING AND CARRYING							
Towpack - standard 1600kg rated (auto)/1200kg rated (manual) ⁹	O/A	O/A	O/A	O/A	O/A	O/A	O/A
Towpack - heavy duty 2300kg rated (incl. load levelling kit) ^{9,10}	A	A	A	A	A	A	A
Rhino-Rack Sportz carry bars ³	A	A	A	A	A	A	A

O - Optional. A - Accessory that can be added at any time. – - Not available. P - Part of optional pack.

1. Wheels and tyres sold separately when fitted in Dealership. 2. Not available with optional 1-tonne suspension. 3. This accessory is a Supplier Branded Accessory and is not manufactured or warranted by Ford. The warranty is provided by the manufacturer of the accessory. Contact your Authorised Ford Dealer for details of the manufacturer's warranty applicable to this accessory. 4. It is recommended that tyres matching original equipment specification be fitted to Mullins alloy wheels. Not available with optional E-Gas engine. 5. Rear mudspats standard on Falcon Ute models. 6. Available for standard Styleside Box, for sports bar and when optional factory aluminium tray is fitted to Cab Chassis models. 7. Not available when optional column shift automatic is specified. 8. Driver and front passenger seat covers sold separately. 9. Subject to State and Territory regulations. 10. Available on automatic transmission models only.

SPECIFICATIONS AND OPTIONS. For full specifications and options visit ford.com.au

	4.0L DOHC DI-VCT I6	E-GAS	4.0L DOHC DI-VCT TURBO I6		
ENGINE TYPE	4.0L DOHC DI-VCT I6	4.0L DOHC DI-VCT I6 DEDICATED LPG	4.0L DOHC DI-VCT TURBO I6		
Applicable models	Falcon Ute, R6, XR6	Falcon Ute, R6, XR6	XR6 Turbo		
Engine size (cc)	3984	3984	3984		
Compression ratio	10.3:1	10.3:1	8.8:1		
Maximum power (DIN)	195kW @ 6000rpm	156kW @ 4750rpm	270kW @ 5250rpm ¹		
Maximum torque (DIN)	391Nm @ 3250rpm	371Nm @ 2750rpm	533Nm @ 2000rpm – 4750rpm ¹		
No. of valves	24	24	24		
Bore x stroke	92.25 x 99.31mm	92.25 x 99.31mm	92.25 x 99.31mm		
Fuel management system	Sequential multipoint electronic fuel injection	Venturi demand system	Sequential multipoint electronic fuel injection		
Engine management	Powertrain control module incorporating electronic throttle control				
TRANSMISSION RATIOS	6-SPEED MANUAL	6-SPEED AUTO ²	4-SPEED AUTO	6-SPEED MANUAL	6-SPEED AUTO
1st	3.36	4.17	2.39	2.98	4.17
2nd	2.07	2.34	1.45	1.78	2.34
3rd	1.35	1.52	1.00	1.30	1.52
4th	1.00	1.14	0.68	1.00	1.14
5th	0.71	0.87	–	0.71	0.87
6th	0.57	0.69	–	0.55	0.69
Reverse	3.28	3.40	2.09	2.90	3.40
DIFFERENTIAL	MANUAL	AUTO	AUTO	MANUAL	AUTO
Drive ratio	3.45:1	2.73:1	3.23:1	3.73:1	2.73:1
FUEL	81		92	81	
Fuel tank capacity (L)	81		92	81	
Recommended fuel	ULP or PULP E10 Compatible		LPG only	ULP or PULP E10 Compatible	
ELECTRICAL/CLUTCH	54Ah		54Ah	54Ah	
Battery	54Ah		54Ah	54Ah	
Clutch type (manual only)	Self-adjusting diaphragm		–	Self-adjusting diaphragm	
Diameter (manual only)	254mm		–	290mm	
MAXIMUM BRAKED TOWING CAPACITY ³	1200Kg ^{4,5}		–	1600Kg ^{4,5}	
Manual	1200Kg ^{4,5}		–	1600Kg ^{4,5}	
Automatic	–		2300Kg ^{5,6}	–	
BRAKES	Standard vented disc brakes with twin piston caliper (Performance brakes on XR6 Turbo)				
Front brakes	Standard vented disc brakes with twin piston caliper (Performance brakes on XR6 Turbo)				
Rear brakes	Standard solid disc brake with single piston caliper				
Anti-lock Braking System (ABS)	4-Channel ABS with Electronic Brakeforce Distribution (EBD) - (XR6, XR6T and Falcon Ute / R6 fitted with DSC) 3-Channel ABS with Electronic Brakeforce Distribution (EBD) - (Falcon Ute / R6 without DSC)				
Dynamic Stability Control (DSC)	Dynamic Stability Control (DSC) incorporates Emergency Brake Assist (EBA) and 4-channel ABS with Electronic Brakeforce Distribution (EBD) ⁷				

S - Standard. O - Optional. NCO - No Cost Option. A - Accessory. -- Not available. P - Part of optional pack.

1. Power and torque figures measured using premium unleaded fuel (95 RON). 2. 6-speed automatic transmission available as an option from June 2010 production. 3. Figures quoted are for braked trailers. Subject to State and Territory regulations. 4. When fitted with Genuine Ford towbar. Subject to state and territory regulations. 5. Towball download and rear axle limits must not be exceeded. Please refer to your Ford Dealer for advice. 6. When fitted with a Genuine Ford heavy duty towpack and load levelling kit. Subject to state and territory regulations. 7. Standard on XR Models. Optional on Falcon Ute and R6 models. 8. Cab Chassis dimensions quoted with optional factory fitted tray. 9. Excludes exterior side mirrors. 10. Kerb mass and payload maximum values are approximate only. Kerb mass quoted includes full tank of fuel, without occupants or luggage/cargo and with all standard equipment (plus automatic climate control where not standard). 11. Payload (maximum) = GVM (Gross Vehicle Mass) minus the kerb mass. 12. Payload is defined as the combined value inclusive of occupants, cargo, added options, additional structures and towball download when towing. 13. For petrol engine with optional automatic transmission, add 5kg to kerb mass. 14. For optional E-Gas engine, add 55kg to kerb mass. 15. When optional 19" wheels and tyres specified, reduce GVM, payload and rear axle load maximum by 70kg. 16. When optional factory aluminium tray specified, add 120kg to kerb mass. 17. Front and rear axle load limits must not be individually exceeded. The combined weight of the fully loaded vehicle and trailer must not exceed the GCM. GVM must not be exceeded. 18. Refer to Owner's Manual for full vehicle mass details. 19. Available from June 2010 production. 20. 4-way power driver's seat not available with automatic column shift. 21. Optional E-Gas engine increases front ride height by 20mm and rear ride height by 25mm when sports suspension is specified.

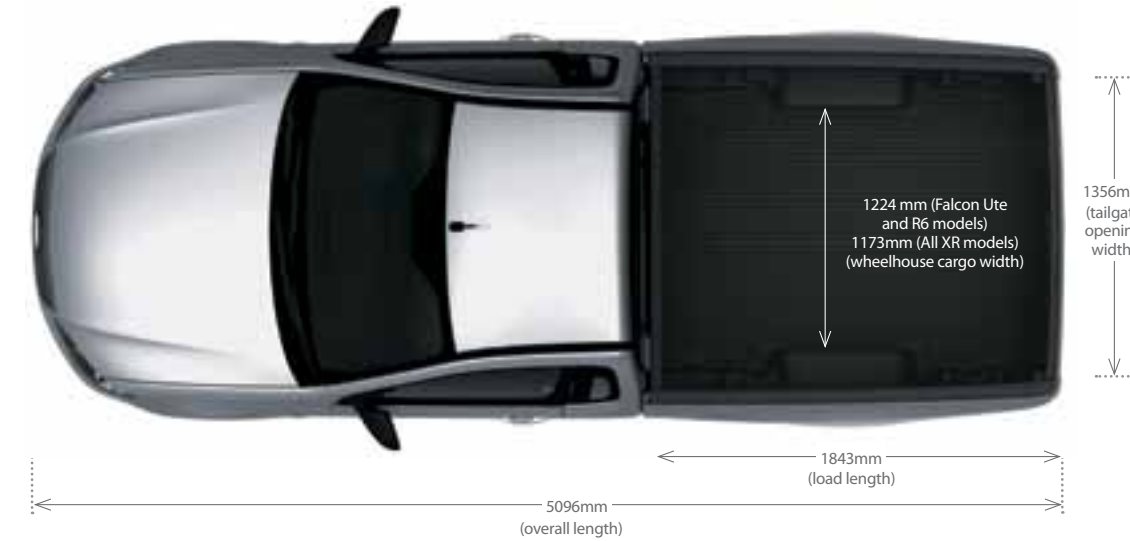
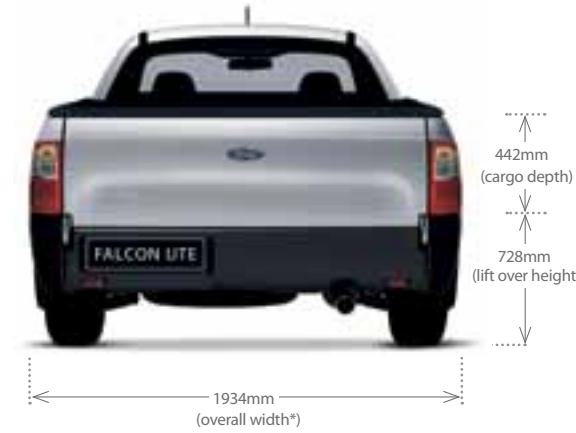
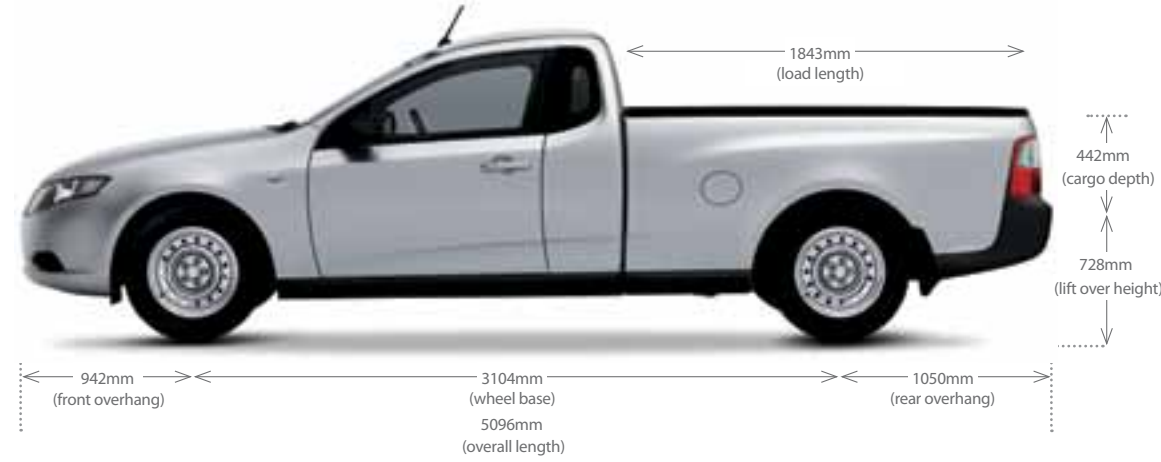
	FALCON UTE		R6		XR6		XR6 TURBO			
	C/C ⁸	SSB	C/C ⁸	SSB	C/C ⁸	SSB				
EXTERIOR DIMENSIONS (mm)										
Overall length	5382	5096	5382	5115	5394	5127	5127			
Overall width ⁹	1897	1934	1897	1934	1897	1934	1934			
Wheelbase	3104	3104	3104	3104	3104	3104	3104			
Front track	1583	1583	1583	1583	1583	1583	1583			
Rear track	1583	1583	1583	1583	1583	1583	1583			
Front overhang	942	942	942	942	954	954	954			
Rear overhang	1336	1050	1336	1069	1336	1069	1069			
INTERIOR DIMENSIONS (mm)										
Front headroom	1026	1026	1026	1026	1026	1026	1026			
Front legroom	1073	1073	1073	1073	1073	1073	1073			
Front shoulder room	1523	1523	1523	1523	1523	1523	1523			
Front hiproom	1486	1486	1486	1486	1486	1486	1486			
Luggage volume behind seats (L)	235	235	235	235	235	235	235			
CARGO DIMENSIONS (mm)										
Suspension type	1-tonne	¾-tonne	1-tonne	1-tonne	Sports	1-tonne	Sports	1-tonne	Sports	
Floor level load length	2209	1843	1843	2209	1843	1843	2209	2209	1843	1843
Belt level load length	2209	1843	1843	2209	1843	1843	2209	2209	1843	1843
Wheelhouse cargo width	1804	1224	1224	1804	1224	1224	1804	1804	1173	1173
Tailgate opening width	1804	1356	1356	1804	1356	1356	1804	1804	1356	1356
Liftover height	969	728	789	969	704	787	835	969	688	679
Cargo depth	240	442	442	240	442	442	240	240	442	442
VEHICLE MASSES ¹⁰⁻¹⁸ (kg)										
Suspension type	1-tonne	¾-tonne	1-tonne	1-tonne	Sports	1-tonne	Sports	1-tonne	Sports	
GVM	2820	2510	2820	2820	2325	2820	2325	2820	2325	2355
Kerb mass (manual transmission)	1580	1735	1745	1595	1725	1760	1565	1580	1740	1785
Payload (maximum) (manual)	1240	775	1075	1225	600	1060	760	1240	585	570
Front axle load (maximum)	1165	1165	1165	1165	1165	1165	1165	1165	1165	1165
Rear axle load (maximum)	1700	1380	1700	1700	1240	1700	1240	1700	1240	1240
Tailgate load rating (maximum)	–	500	500	–	500	500	–	–	500	500
GCM	–	–	–	–	–	–	–	–	–	–
- 1200kg towing	3900	3590	3900	3900	3405	3900	3405	3900	3405	3435
- 1600kg towing	4260	3950	4260	4260	3765	4260	3765	4260	3765	3795
- 2300kg towing	4890	4580	4890	4890	4395	4890	4395	4890	4395	4425
MINIMUM TURNING CIRCLE (m)										
Diameter (kerb-to-kerb)	11.8	11.8	11.8	11.8	11.8	11.8	11.8	11.8	11.8	11.8
ENGINE AND TRANSMISSION										
4.0L DOHC DI-VCT I6	S	S	S	S	S	S	S	–		
6-speed manual transmission	S	S	S	S	S	S	S	–		
ZF 6-speed automatic transmission with Sequential Sports Shift ¹⁹	O	O	O	O	O	O	O	–		
ZF 6-speed automatic column shift transmission ^{19, 20}	O	O	–	–	–	–	–	–		
4.0L DOHC DI-VCT TURBO I6	–	–	–	–	–	–	–	S		
6-speed manual transmission	–	–	–	–	–	–	–	S		
ZF 6-speed automatic transmission with Sequential Sports Shift	–	–	–	–	–	–	–	O		
E-GAS 4.0L DOHC DI-VCT I6 (DEDICATED LPG)	O	O	O	O	O ²¹	O	O ²¹	O ²⁰	–	
4-speed automatic transmission with Sequential Sports Shift	S	S	S	S	S	S	S	–		
4-speed automatic column shift transmission	O	O	–	–	–	–	–	–		

	FALCON UTE		R6		XR6		XR6 TURBO
	C/C	SSB	C/C	SSB	C/C	SSB	SSB
RIDE AND HANDLING							
Virtual Pivot Control Link front suspension	S	S	S	S	S	S	S
Hotchkiss rear suspension	S	S	S	S	S	S	S
3/4-tonne suspension	-	S	-	-	-	-	-
1-tonne suspension	S	O	S	O	O	-	-
Sports suspension	-	-	-	S	S	S	S
Limited slip differential (LSD)	O	O	O	O	O	O	S
16" x 6.5" silver steel wheel (rated 1-tonne) ²²	S	S	-	-	-	-	-
16" x 7" R6 5-spoke alloy wheel (rated 1-tonne) ²²	-	-	S	S	O ²⁴	-	-
215/60 R16 (1-tonne) tyres	S	O ²⁴	S	O ²⁴	O ²⁴	-	-
215/60 R16 tyres	-	S	-	-	-	-	-
225/55 R16 tyres	-	-	-	S	-	-	-
17" x 8" XR 5-spoke alloy wheel - 245/45 R17 tyres ²²	-	-	-	-	S	S	S
18" x 8" XR 5-spoke alloy wheels - 245/40 R18 tyres ²²	-	-	-	-	O/A ²³	O/A ²³	O/A ²³
19" x 8" XR 5-spoke alloy wheel - 245/35 R19 tyres	-	-	-	-	-	P/A ²¹	P/A ²³
Steel spare wheel ²⁵	S	S	S	S	S	S	S
EXTERIOR							
XR front bumper	-	-	-	-	S	S	S
Sports side skirts	-	-	S	S	S	S	S
Sports rear bumper	-	-	-	S	-	S	S
Fog lamps	-	-	S	S	S	S	S
Body colour mirrors	-	-	S	S	S	S	S
Wiring facility for cargo lamp	S	S	S	S	S	S	S
Cargo bedliner	-	S	-	S	-	S	S
Flush fit soft tonneau cover	-	A	-	S	-	S	S
Aluminium tray	O	-	O	-	O	-	-
Adjustable tie-down hooks	-	S	-	S	-	S	S
INSTRUMENTATION AND CONTROLS							
Human Machine Interface (HMI) with Interior Command Centre (ICC)	S	S	S	S	S	S	S
Multi-function Display including distance to empty, average speed, outside air temperature, average fuel consumption, speed warning	S	S	S	S	S	S	S
Cruise control with steering wheel mounted controls	S	S	S	S	S	S	S
Steering wheel mounted audio controls	S	S	S	S	S	S	S
Leather wrapped steering wheel	-	-	S	S	-	-	-
Sports leather wrapped steering wheel	-	-	-	-	S	S	S
COMFORT AND CONVENIENCE							
Single zone automatic climate control	O	O	O	O	S	S	S
Dual zone automatic climate control	-	-	-	-	-	P	P
Power windows	S	S	S	S	S	S	S
Automatic headlamps ON/OFF feature	S	S	S	S	S	S	S
Power adjustable side mirrors	S	S	S	S	S	S	S
Alloy pedal covers	-	-	-	-	-	S	S
Carpet floor covering	S	S	S	S	S	S	S
Driver/passenger reading lamps	S	S	S	S	S	S	S
Centre console bin with lid ²⁶	S	S	S	S	S	S	S
Lockable glove box	S	S	S	S	S	S	S
Remote keyless entry	S	S	S	S	S	S	S

22. Set of four. 23. Wheels and tyres sold separately when Dealer fit. 24. When optional 1-tonne suspension is specified. 25. Vehicles fitted with 16"/17" wheels come with a 16" steel spare wheel. Vehicles fitted with 18"/19" wheels come with a 17" steel spare wheel. Vehicles with 1-tonne suspension come with a 1-tonne rated steel spare wheel. If spare wheel, rim or tyre size differs from the other wheels fitted, the vehicle should be driven with caution and the standard wheel and tyre fitted as soon as possible. 26. Not available with optional automatic column shift transmission. 27. Must specify optional automatic column shift transmission. 28. Falcon Ute - 2 speakers. All other models - 4 speakers. 29. Vehicle must be fitted with Bluetooth*. Ford has an arrangement to provide the Suna Traffic Channel broadcast for a minimum of 5 years from the time of vehicle manufacture. Coverage includes Melbourne, Sydney, Brisbane, Adelaide, Perth and Gold Coast metropolitan areas. Refer to www.sunatrafic.com.au for full details. 30. Bluetooth* is a registered trademark of Bluetooth SIG Inc, and is used under license. Customers should consult their Ford Dealer on the ability of their mobile phone handset to integrate with the Bluetooth* system prior to making a purchase decision. Standard from June 2010 production. 31. iPod* is a trademark of Apple Inc. Please refer to www.ford.com.au for iPod* compatibility. Standard from June 2010 production. 32. Driver's seat only. 33. Must specify optional single zone automatic climate control. 34. Towbar sold separately when factory fitted. 35. Not available when E-Gas engine is optioned.

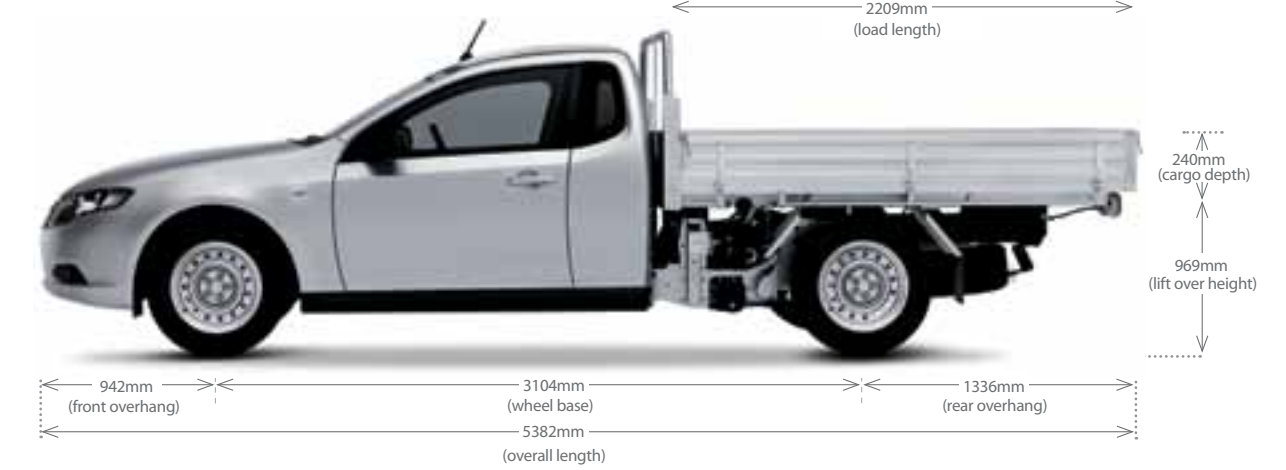
	FALCON UTE		R6		XR6		XR6 TURBO
	C/C	SSB	C/C	SSB	C/C	SSB	SSB
SEATING							
Cloth trim seats	S	S	-	-	-	-	-
Fixed centre seat with lap/sash seatbelt ²⁷	O	O	-	-	-	-	-
Cloth trim sports seats	-	-	S	S	S	S	S
Leather trim sports seats	-	-	-	-	O	O/P	O/P
4-way power driver's seat ²⁶	S	S	S	S	S	S	S
Adjustable driver's seat lumbar support	S	S	S	S	S	S	S
Adjustable passenger's seat lumbar support	-	-	S	S	S	S	S
Quick-tilt forward seats	S	S	S	S	S	S	S
AUDIO & COMMUNICATION							
Standard audio system with monochrome display, AM/FM radio, single slot CD ²⁸	S	S	S	S	S	S	S
Prestige audio system with monochrome display, AM/FM radio, 6-disc in-dash CD and 6 speakers (total 112 watts)	-	-	-	-	O	O	O
Premium audio system with 7" colour display, AM/FM radio, 6-disc in-dash CD and 8 speakers (total 112 watts)	-	-	-	-	-	P	P
MP3 CD capability	S	S	S	S	S	S	S
3.5mm auxiliary audio input	S	S	S	S	S	S	S
Satellite navigation system with Suna Traffic Channel ²⁹	-	-	-	-	O	O	O
Bluetooth* mobile phone integration ³⁰	S	S	S	S	S	S	S
iPod Integration ^{26, 31}	S	S	S	S	S	S	S
SAFETY AND SECURITY							
Intelligent Safety System	S	S	S	S	S	S	S
Driver and front passenger airbags	S	S	S	S	S	S	S
Side head/thorax airbags	O	O	O	O	S	S	S
Pyrotechnic seatbelt buckle pretensioners	S	S	S	S	S	S	S
Advanced restraints module	S	S	S	S	S	S	S
Crash severity sensor	S	S	S	S	S	S	S
Driver's seat position sensor	S	S	S	S	S	S	S
Beltminder™ system ³²	S	S	S	S	S	S	S
Dynamic Stability Control incorporating:							
Traction Control	O ³³	O ³³	O ³³	O ³³	S	S	S
Emergency Brake Assist (EBA)							
Anti-lock Braking System (ABS)	S	S	S	S	S	S	S
Electronic Brakeforce Distribution (EBD)	S	S	S	S	S	S	S
Driver fatigue warning	S	S	S	S	S	S	S
Central locking	S	S	S	S	S	S	S
TOWING							
Towbar - 1600kg rated	O ³⁴ /A	O ³⁴ /A	O ³⁴ /A	O ³⁴ /A	O ³⁴ /A	O ³⁴ /A	O ³⁴ /A
OPTIONAL PACKS							
XR Luxury Pack							
Leather trim sports seats							
19" x 8" 5 spoke alloy wheels - 245/35 R19 tyres ³⁰							
Dual zone automatic climate control						O ³⁵	O
Premium sports interior appearance							
Premium audio system with 7" colour display, AM/FM radio, 6-disc in-dash CD and 8 speakers (total 112 watts)							

Styleside Box



*Excludes side mirrors.

Cab Chassis



*Excludes side mirrors.



Making your ownership experience even more rewarding.

A great car is just the beginning. We support you with a wide range of services that aim to make you one of the most satisfied vehicle owners in Australia. Speak to your Ford Dealer today about how we can help you make the most out of your vehicle ownership experience.

myFord Roadside Assistance.

Our commitment to your complete satisfaction plays a major role in everything we do. That is why we provide myFord Roadside Assistance for all Ford Falcon Ute models. Wherever and whenever you need emergency roadside assistance, help is available 24 hours a day, 365 days a year. If your vehicle breaks down and cannot be repaired, we will organise to transport your vehicle to the nearest Ford Dealer or approved service centre for repair. myFord Roadside Assistance is valid for 1 year from the vehicle's first registration.

3 year/100,000km new car warranty.*

For three years or 100,000km, whichever comes first, your Ford is covered against any defects in factory materials or workmanship. This also applies to Genuine Ford Accessories you may have had fitted before you took delivery.

5 year warranty against perforation corrosion#

It's reassuring to know that the original body of your gleaming new Ford is guaranteed against perforation corrosion for the first five years of its life. If perforation corrosion occurs, we'll fix it for free.

#Conditions and exclusions apply. See your authorised Ford Dealer for details.

This brochure is designed to provide you with a general introduction to the Ford Products (including available optional equipment) referred to, and should be read in conjunction with the latest specification sheet. Because of changes in conditions and circumstances Ford* reserves the right, subject to all applicable laws, at any time, at its discretion, and without notice, to discontinue or change the features, designs, materials, colours and other specifications and the prices of their products, and to either permanently or temporarily withdraw any such products from the market without incurring any liability to any prospective purchaser or purchasers. The latest specification sheet should be referred to for information on the availability, ordering and use of optional equipment. Always consult an authorised Ford Dealer for the latest information with respect to features, specifications, prices, optional equipment and availability before deciding to place an order. *FORD MOTOR COMPANY OF AUSTRALIA LIMITED. (A.B.N. 30 004 116 223) Registered Office: 1735 Sydney Road, Campbellfield, Victoria 3061, Australia. Printed June 2010. FML8067QW

myFord Warranties & Insurance.

When you first turn the key of your brand new Falcon Ute you want to do so without a care in the world. Our range of myFord products gives you that extra peace of mind. For more information about myFord Warranties and Insurance, visit your participating Ford Dealer for further details on the plans that best suit your needs. Terms, conditions and eligibility criteria apply.

Want to contact us?

For answers to your questions, or help with any concern, contact our Customer Relationship Centre on 13 FORD (13 3673).

Running a fleet?

Our Ford Business Centre is available to assist fleet customers with information on Ford products and services. Call 1300 13 13 30.

Visit us on the web.

If you want more information on Ford or our entire product range, visit us on the Internet at ford.com.au





ford.com.au