

TRANSIT VANS



Feel the difference

Big on choice

When it comes to vans, the Transit range gives you loads of choice.



Transit Van SWB low roof in Frozen White.



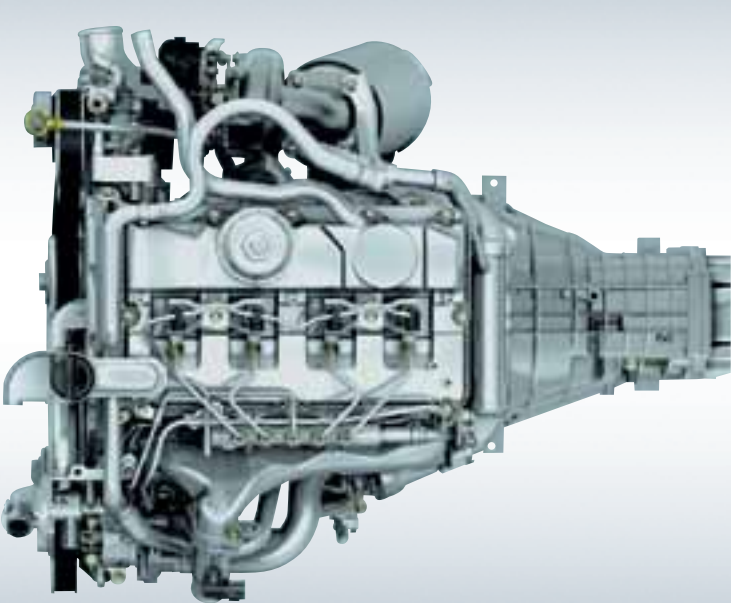
The Ford Transit line-up makes choosing the right van, cab chassis or bus for your business simple. The Transit range definitely means business with bold exterior styling, diesel power, advanced safety and superior comfort. Left to right: Transit Cab Chassis shown with aftermarket tray, Transit Bus, and Transit Van LWB shown with high roof and accessory full partition.

There are short, medium and long wheelbase models, plus two Jumbo vans. Three roof heights, two powerful common rail turbo diesel engines, front-wheel-drive models, a dual-rear-wheel model,* and with the introduction of the Transit ECONetic van, your options grow even further. Front-wheel-drive gives you excellent fuel economy, a lower cargo floor for easier loading and unloading, and a lower total height allowing greater access to covered carparks. This complements the rear-wheel-drive range, which is ideal for heavier payloads or if you need superior towing capability. So no matter how big or small the job is, there's a van in the range that'll suit your needs right down to the ground.

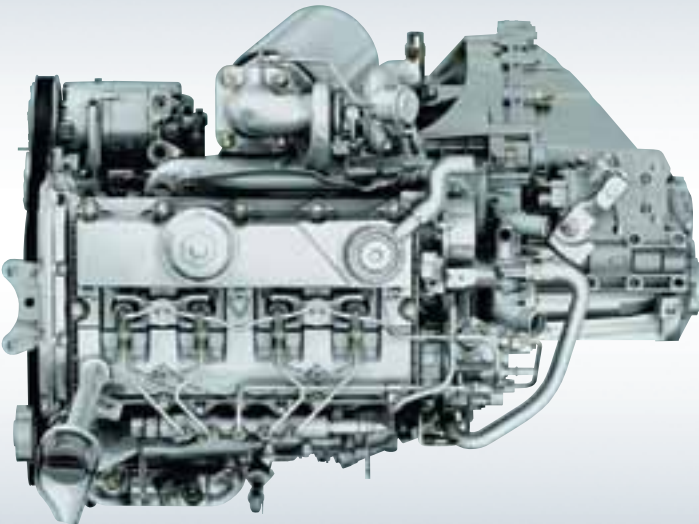
*Dual-rear-wheel available on the Transit Jumbo Van.

The power to deliver

Running a business can be non-stop day in and day out. That's why you need a van that can keep pace with your demands.



The 2.4 litre Duratorq turbo diesel engine on rear-wheel-drive models features advanced high pressure common rail technology to boost performance and efficiency.



The 2.2 litre high pressure common rail Duratorq turbo diesel engine is available on front-wheel-drives and delivers excellent fuel economy.



Transit Van LWB medium roof in Frozen White.

Transit's engines tick all the boxes when it comes to power and fuel economy. Take the 2.4 litre TDCi engine with an impressive 103kW of power and 375Nm of torque @2000rpm. This tireless diesel is available with a six speed manual transmission on rear-wheel-drive models. Then there's the 2.2 litre turbo diesel TDCi. Available on front-wheel-drives, it delivers excellent fuel economy while offering 85kW of power and a handy 300Nm of torque. Whichever way you go, you'll be able to hit the ground running.

Your mobile office

Spend the best part of your day on the road and not surprisingly, comfort becomes a priority. That's where Transit's car-like interior is making a strong case for better working conditions.



The feature-packed interior makes time at the wheel more comfortable. Transit Van FWD with optional Professional Pack interior shown.



One of the two lidded storage compartments on the dashboard is fitted with a 12-volt power socket so you can discreetly charge a mobile phone away from prying eyes.



Clever ideas include rails in the larger than normal glovebox so you can hang A4 files.



Frozen White



Moondust Silver

Comfort starts with the 6-way adjustable driver's seat providing crucial lumbar support. Then add standard features like air-conditioning, CD player with auxiliary audio input for an iPod* or MP3 player, remote audio controls mounted on the steering column, power front windows and power side mirrors plus optional cruise control with leather wrapped steering wheel,* and journeys are bound to be more relaxing. Overall, the cabin feels spacious and light. Features including tray on the dashboard that provides a useful workspace, a handy carpark pass holder, two 2-litre bottle holders and multiple storage compartments are all designed to help you better manage your day. Transit provides the ultimate in functionality and comfort.

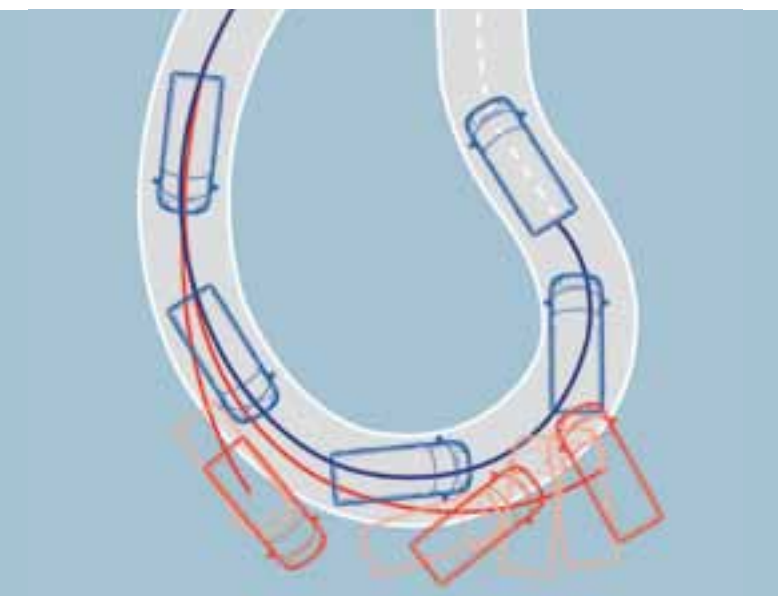
*Only available in optional Professional Pack. *iPod is a trademark of Apple Inc.

Safety and security

In business, there's nothing more precious than you and your cargo. So when it comes to safety Transit delivers big time.



The remote central locking key fob incorporates an innovative self charging feature, so it's always ready to use.



Dynamic Stability Control (DSC) helps avoid understeering and oversteering by correcting the driving line through a combination of brake application to the appropriate wheel and a reduction in engine torque.



Transit Van SWB low roof in Frozen White.

The solid body structure offers end-to-end strength and surrounds you with a protective shell. Inside, a driver's airbag and ABS with Electronic Brakeforce Distribution are standard across the range. Plus, for added protection the optional Professional Pack includes front passenger airbag, Dynamic Stability Control (DSC) with Traction Control and Hill Launch Assist*, cruise control with leather wrapped steering wheel and reverse parking sensors. Hill Launch Assist makes it easier for drivers to pull away on a slope, without the need to use the parking brake. Driver and passenger are further protected by optional front side airbags† that provide

increased protection from side impacts in the event of an accident. In terms of vehicle and cargo security, Transit is equipped with an alarm, engine immobiliser and unique security coded keys standard on every vehicle. Transit also helps safeguard your cargo with features such as load area protection kit^ and power door deadlocks which make it impossible to open the doors from the inside should an intruder break into the vehicle. Add it all up and you can see why Transit is a safe bet for you and your business.

*DSC is standard on 4490kg GVM Dual-rear-wheel Jumbo Van model. †Front side airbags must be specified with optional Professional Pack and single passenger seat. ^Load area protection kit not available on Transit ECOnetic Van and 4490kg GVM Jumbo Van.

ECONetic. Future thinking.

When you drive a Transit ECONetic, you are helping your business to save fuel costs while reducing your impact on the environment.



Transit ECONetic Van shown in Frozen White.



Standard 110km/h speed limiter.

The top speed of the ECONetic is restricted to 110km/h which significantly reduces fuel consumption when compared to travelling at a higher speed.

Low friction oil.

Assists through the reduction of engine friction and releases more of the engine's power to drive the car forward.

Low rolling resistance tyres.

Reduces the energy required to maintain progress along the road.

Aerodynamic wheel covers.

Channels airflow over the car more effectively to reduce drag coefficient.

Modified engine calibration.

The 2.2L High pressure common rail turbo diesel engine has been modified for optimum fuel economy.

The environment is everyone's responsibility.

At Ford, our "sustainability vision" plays a key role in shaping the cars we design, engineer and build. Ford ECONetic is a whole new approach to the way our cars are designed and built. The philosophy is simple – to create vehicles that are as fuel efficient as possible today, without compromising your driving experience. Crucially, the ECONetic range doesn't rely on different fuels, expensive batteries or 'bolted on' technology. Currently available technologies like a specially calibrated diesel engine, low rolling resistance tyres, aerodynamic wheel covers and Green shift indicator are all part of the smart ideas and clever refinements which help to deliver highly fuel efficient and environmentally advanced vehicles.

Transit ECONetic.

We've taken the principles of ECONetic engineering and applied them to the Transit. The Transit ECONetic delivers exceptional fuel economy of 7.2L/100km and CO₂ emissions of 189g/km[#]. Compared with its standard equivalent, the Transit ECONetic achieves fuel savings of approximately 12%. Of course, the Transit ECONetic is as practical and robust as ever offering an outstanding 1,175kg of gross payload, as well as a maximum cargo capacity of 6.5 cubic metres.



Green shift indicator light.

Standard across the Transit range, the intelligent Indicator highlights the optimum point at which to make an upward gear change. This can further maximise fuel economy, cut fuel costs and reduce CO₂ emissions.

[#]Fuel economy and emissions based on tests to ADR 81/02 (combined).

Personalise your Transit. The choice is yours.

The Ford Vehicle Personalisation accessory range lets you personalise your Transit Van to perfectly suit your needs.



Weathershields.

Provide improved visibility by reducing window fogging and deflecting wind and rain.



Partition.

Designed to maximise cabin and load space, the partition helps protect the driver from objects in the cargo area in the event of sudden braking.



Rear ladder.

Attaches to the rear cargo door and allows easy access to the roof rack (overseas model shown).

Accessories available for Transit Van models

	SWB	MWB	LWB	Jumbo
Exterior protection				
Headlamp guards	●	●	●	●
Mudspats – front	●	●	●	●
Rear step	●	●	●	●
Weathershields ¹	●	●	●	●
Interior protection				
Carpet mats	●	●	●	●
Overhead stowage mat ²	●	●	●	●
Rubber floor mats	●	●	●	●
Window guards	●	●	●	●
Storage				
Carry bars ³	●	●	●	–
Rear ladder	●	●	●	●
Partitions				
- Full partition with or without glass	●	●	●	●
- Half partition with mesh	●	●	●	●
Rhino-Rack heavy duty carry bars ⁴	●	●	●	●
Rhino-Rack Mont Blanc carry bars ⁴	●	●	●	●
Rhino-Rack locking ski/snowboard carrier - 2pr/4pr/6pr ⁴	●	●	●	●
Rhino-Rack universal holder ⁴	●	●	●	●
Rhino-Rack kayak/canoe carriers ⁴	●	●	●	●
In car entertainment and electrical				
Gamin Nüvi 1490T portable satellite navigation system ⁴	●	●	●	●
Gamin Nüvi 1690 portable satellite navigation system ⁴	●	●	●	●
Gamin Nüvi 3760 portable satellite navigation system ⁴	●	●	●	●
Gamin Nüvi 3790T portable satellite navigation system ⁴	●	●	●	●

● = Accessory that can be added at any time.

1. Left and right side sold separately. 2. Available for medium and high roof vehicles only. 3. Available for low and medium roof vehicles only. 4. This accessory is a Supplier Branded Accessory and is not manufactured or warranted by Ford. The warranty is provided by the manufacturer of the accessory. Contact your authorised Ford Dealer for details of the manufacturer's warranty applicable to this accessory.

Mechanical specifications

	FWD SWB VAN	ECONETIC FWD SWB VAN	FWD MWB VAN	RWD SWB VAN	RWD MWB VAN	RWD LWB VAN	RWD LWB JUMBO VAN (3550kg GVM)	RWD LWB JUMBO VAN (4490kg GVM)
Roof height	Low	Low	Low	Low	Mid	Mid High	High	High
Engine and transmission								
2.2L High pressure common rail turbo diesel (TDCi), 85kW@3500rpm, 300Nm@1800-2000rpm (EEC) with 6-speed manual transmission	S	S	S	-	-	-	-	-
2.4L High pressure common rail turbo diesel (TDCi), 103kW@3500rpm, 375Nm@2000rpm (EEC) with 6-speed manual transmission	-	-	-	S	S	S	S	S
Fuel tank capacity (litres)	80	80	80	80	80	80	80	80
Fuel consumption (L/100km) ¹	8.1	7.2	8.1	9.5	10.4	-	-	-
CO ₂ emissions (grams/km) ¹	213	189	213	251	274	-	-	-
Weights (kg)								
Gross vehicle mass	2800	2840	2800	3300	3300	3550	3550	4490
Kerb weight	1700	1665	1789	1889	1985	2019 2046	2176	2293
Payload ²	1100	1175	1011	1411	1315	1531 1504	1374	2197
Gross combination mass	4500	3500	4500	5300	6100	6300	6300	6500
Front axle load	1450	1450	1500	1700	1700	1750	1750	1850
Rear axle load	1650	1650	1650	2150	2150	2250	2300	3300
Wheels and tyres								
Wheels (inches)	5.5 x 15	5.5 x 16	5.5 x 15	5.5 x 16	5.5 x 16	5.5 x 16	5.5 x 16	5.0 x 16
Type	Steel	Steel	Steel	Steel	Steel	Steel	Steel	Steel
Tyres	195/70 R15C	215/75 R16C	195/70 R15C	215/75 R16C	215/75 R16C	215/75 R16C	215/75 R16C	195/75 R16C
Rear wheel configuration	Single	Single	Single	Single	Single	Single	Single	Dual
Full wheel cover	-	S	-	-	-	-	-	-
Drive	Front wheel	Front wheel	Front wheel	Rear wheel	Rear wheel	Rear wheel	Rear wheel	Rear wheel
Steering								
All models	Power assisted (rack and pinion)							
Brakes								
All models	Ventilated front disc brakes and solid rear disc brakes							
Suspension								
All models	Front - coil spring with McPherson strut and stabiliser bar Rear - Hotchkiss type leaf springs with gas shock absorbers							
Towing capacity (kg)³								
Braked	2000	750	2000	2000	2800	2750	2750	3000
Unbraked	750	750	750	750	750	750	750	750

S = Standard. - = Not available.

1. Fuel economy and emissions based on tests to ADR 81/02 (combined). 2. Payload does not include the mass of the vehicle occupants, options or body additions. The mass of these items needs to be deducted from the stated payload to give the available cargo mass. 3. Subject to State and Territory regulations.

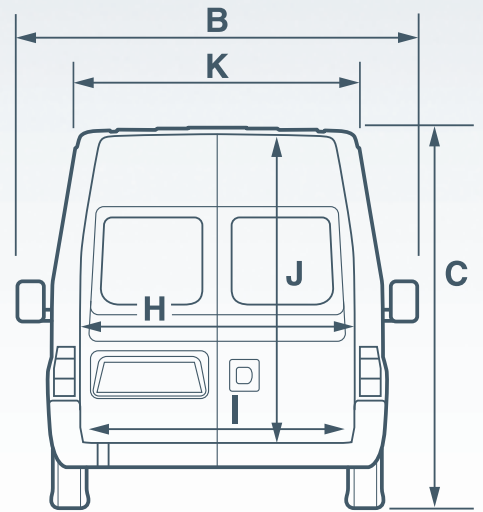
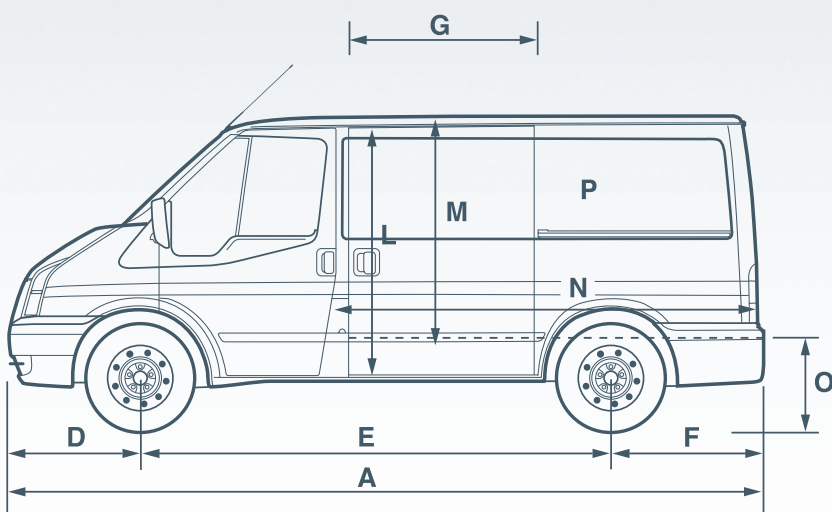
Specifications and options

Exterior	
Front towing hook	S
Side mirrors with blind spot eliminator	S
Rear door glass	S
Electric rear window defroster	S
Lights: – Halogen headlamps	S
– High mounted stop lamp	S
– Front headlamp levelling	S
Rear mud flaps	S
Seating	
Seats: – Driver - Single 6-way adjustable driver's seat with fixed armrest and height-adjustable head restraint	S
– Front Passenger - Dual fixed passenger seat with height-adjustable head restraints	S
– Front Passenger - Single 4-way adjustable passenger seat with fixed armrest and height-adjustable head restraint	O
– Tomy cloth trim (grey)	S
Comfort and convenience	
Air-conditioning (front)	S
Heater with illuminated controls and 3-speed fan	S
Cruise control with leather wrapped steering wheel	P
Power front windows	S
Power adjustable side mirrors	S
Interior day/night rear view mirror	S
Glove box with A4 hanging file storage	S
Driver and passenger storage compartments on fascia top with lift up lids	S
Cup holders (x2) and 2L bottle storage (x2)	S
12V power point socket (located in driver's top stowage bin)	S
Flip over tray/working surface	S
Driver and passenger door pockets	S
Cigarette lighter (12V) and ashcup	S
Ticket (carpark) holder	S
Driver and passenger sunvisors	S
Cab headlining with moulded fabric	S
Front overhead courtesy light	S
Heavy duty rubber cab floor covering	S
Audio	
Single CD player, AM/FM radio with 24 station presets	S
Front speakers	S
Remote audio controls mounted on steering column	S
3.5mm auxiliary audio input (located in passenger's top stowage bin)	S

Instruments and gauges	
Green shift indicator	S
Warning lights for oil pressure, lights on, ignition, brake fail, low fuel, water in fuel	S
Speedometer, tachometer, odometer, fuel gauge and water temperature gauge	S
Soft feel steering wheel with stalk mounted wiper, indicator and horn controls	S
2-Speed and variable intermittent front wipers	S
Safety and security	
Airbags: – Driver	S
– Passenger	P
– Side head/thorax airbags (front)	O ⁴
Anti-lock Braking System (ABS) with Electronic Brakeforce Distribution (EBD)	S
Dynamic Stability Control (DSC) including Traction Control and Hill Launch Assist (HLA)	P/S ⁵
3-Point lap/sash seatbelts on driver and all passenger seats	S
Dropped front side windows for enhanced visibility	S
Tinted windscreen	S
Remote keyless entry with 2 self-charging key fobs	S
Power door deadlocks with two step door unlock system	S
Key locking bonnet	S
Perimeter anti theft alarm	S
Engine immobiliser	S
Locking fuel cap	S
Twin batteries	S
Reverse sensing system	P
Load area	
Doors: – LHS sliding with step well	S
– RHS sliding with step well (FWD MWB Only)	S ⁶
– Rear twin hinged, glazed 180 degree opening	S ⁷
Rear step bumper	S
Load area protection kit including MDF rear trim and full-length rubber mat	S ⁸
Cargo stowage rail, mid-position	S
Load compartment tie-downs	S
Load compartment lights	S
Rear auxiliary 12V power outlet	S
Overhead storage compartment (mid and high roof only)	S
Option pack	
Professional Pack:	O
– Cruise control with leather wrapped steering wheel	
– Passenger Airbag	
– Dynamic Stability Control (DSC) including Traction Control and Hill Launch Assist (HLA) ⁵	
– Reverse sensing system	

S = Standard. O = Options that can be ordered before a vehicle is manufactured. P = Part of optional pack.

4. Only available with optional Professional Pack and single passenger seat. 5. Standard on 4490Kg GVM Jumbo van only. 6. Only FWD MWB model features LHS and RHS sliding doors as standard. 7. 256 degree opening doors on Jumbo Vans. 8. Load area protection kit not available on Transit ECONetic Van and 4490kg GVM Jumbo Van.



Model	FWD SWB VAN	ECONETIC FWD SWB VAN	FWD MWB VAN	RWD SWB VAN	RWD MWB VAN	RWD LWB VAN	RWD LWB JUMBO (3550kg GVM)	RWD LWB JUMBO (4490kg GVM)
Roof height	Low	Low	Low	Low	Mid	Mid	High	High
Rear Wheel Configuration	Single	Single	Single	Single	Single	Single	Single	Dual
A Overall length (excluding rear step bumper)	4863	4864	5230	4863	5230	5680	5680	6403
B Overall width (including mirrors)	2374	2375	2374	2374	2374	2374	2374	2492
C Unladen height	2067	2067	2056	2089	2387	2397	2615	2622
D Front overhang	933	933	933	933	933	933	933	933
E Wheelbase	2933	2933	3300	2933	3300	3750	3750	3750
F Rear overhang	997	997	997	997	997	997	1720	1720
G Side door width	1030	1030	1250	1030	1250	1275	1275	1275
H Rear door width	1540	1540	1540	1540	1540	1540	1540	1540
I Load space width between wheel arches	1390	1390	1390	1390	1390	1390	1390	1153
J Rear door height	1270	1270	1270	1270	1566	1566	1796	1796
K Maximum load space width (excluding wheel arches)	1740	1740	1740	1740	1740	1740	1740	1740
L Side load door height	1252	1252	1252	1252	1465	1465	1465	1465
M Maximum load height	1430	1430	1430	1330	1645	1645	1885	1885
N Maximum load space length	2582	2582	2949	2582	2949	3399	3399	4107
O Unladen loading height	609	609	609	732	712	710	710	705
P Load space SAE (gross) cubic metres	6.55	6.55	7.44	6.05	8.55	9.85	11.29	14.3
Turning circle (metres)	10.8	10.8	11.9	10.8	11.9	13.3	13.3	13.9

All measurements in mm unless otherwise indicated.

Making your ownership experience even more rewarding.

A great vehicle is just the beginning.

After you've bought your Transit, we support you with a wide range of services that aim to make you one of the most satisfied vehicle owners in Australia. Speak to your Ford Dealer today about how to make the most out of your vehicle ownership experience.

Vancare Roadside Assistance*

Our commitment to your complete satisfaction plays a major role in everything we do. That is why we provide Ford Vancare Roadside Assistance for all Ford Transit Vans, Cab Chassis and Buses.

Wherever and whenever you need emergency roadside assistance, help is available 24 hours a day, 365 days a year. If your vehicle breaks down and cannot be repaired, we will organise to transport your vehicle to the nearest Ford Dealer or approved service centre for repair. Ford Vancare Roadside Assistance is valid for 1 year from the vehicle's first registration.

3 year/100,000km new car warranty*#

For three years or 100,000km, whichever comes first, your Ford is covered against any defects in factory materials or workmanship. This also applies to Genuine Ford Accessories you may have had fitted before you took delivery.

5 year warranty against perforation corrosion*#

It's reassuring to know that the original body of your gleaming new Ford is guaranteed against perforation corrosion for the first five years of its life. If perforation corrosion occurs, we'll fix it for free.

myFord Warranties & Insurance.

When you first turn the key of your brand new Transit you want to do so without a care in the world. Our range of myFord products gives you that extra peace of mind. For more information about myFord Warranties, Insurance and Roadside Assistance visit your participating Ford Dealer for further details on the plans that best suit your needs. Terms, conditions and eligibility criteria apply.

Want to contact us?

For answers to your questions, or help with any concern, contact our Customer Relationship Centre on 13 FORD (13 3673).

Running a fleet?

Our Ford Business Centre is available to assist fleet customers with information on Ford products and services. Call 1300 13 13 30.

Visit us on the web.

If you want more information on Ford or our entire product range, visit us on the Internet at ford.com.au.

#Conditions and exclusions apply. See your authorised Ford Dealer for details.

This brochure is designed to provide you with a general introduction to the Ford Products (including available optional equipment) referred to, and should be read in conjunction with the latest specification sheet. Because of changes in conditions and circumstances Ford* reserves the right, subject to all applicable laws, at any time, at its discretion, and without notice, to discontinue or change the features, designs, materials, colours and other specifications and the prices of its products, and to either permanently or temporarily withdraw any such products from the market without incurring any liability to any prospective purchaser or purchasers. The latest specification sheet should be referred to for information on the availability, ordering and use of optional equipment. Always consult an authorised Ford Dealer for the latest information with respect to features, specifications, prices, optional equipment and availability before deciding to place an order. *FORD MOTOR COMPANY OF AUSTRALIA LIMITED, (A.B.N. 30 004 116 223) Registered Office: 1735 Sydney Road, Campbellfield, Victoria 3061, Australia. Printed October, 2010. FTRA0006_eb



ford.com.au



Click to Request



Quote



Hot Deals



Test Drive