



# HONDA 1300 coupe

## A Dependable Sporty Coupe Offering Relaxed Driving Comfort And Featuring Dozens of Unique Design Innovations



The Honda 1300 Coupe offers the fortunate owner maximum reliability in all types of service and driving conditions. It is studded with mechanical and design innovations which could come only from Honda, an automotive manufacturer with a dedicated devotion to research and development. The sporty styling and tremendously attractive colours make this handsome coupe appeal to a wide range of drivers. Body-hugging fully adjustable front bucket seats promote driving safety and hours-long comfort, while all dials and gauges in the fully-instrumented dashboard panel are angled to the driver's eyes. The rear seat passengers will find the inclined floor much more comfortable for long journeys, and safer than the conventional flat floor as well. No bothersome drive shaft hump intrudes to take away legroom, either, and the wheel wells do not crowd into the rear seat space. Performance is quite outstanding. The 95 bhp OHC 4-stroke engine permits 110 mph speeds with the single carburettor Coupe 7 model. The 4-carburettor Coupe 9 model has 110 bhp and a 115 mph top speed.

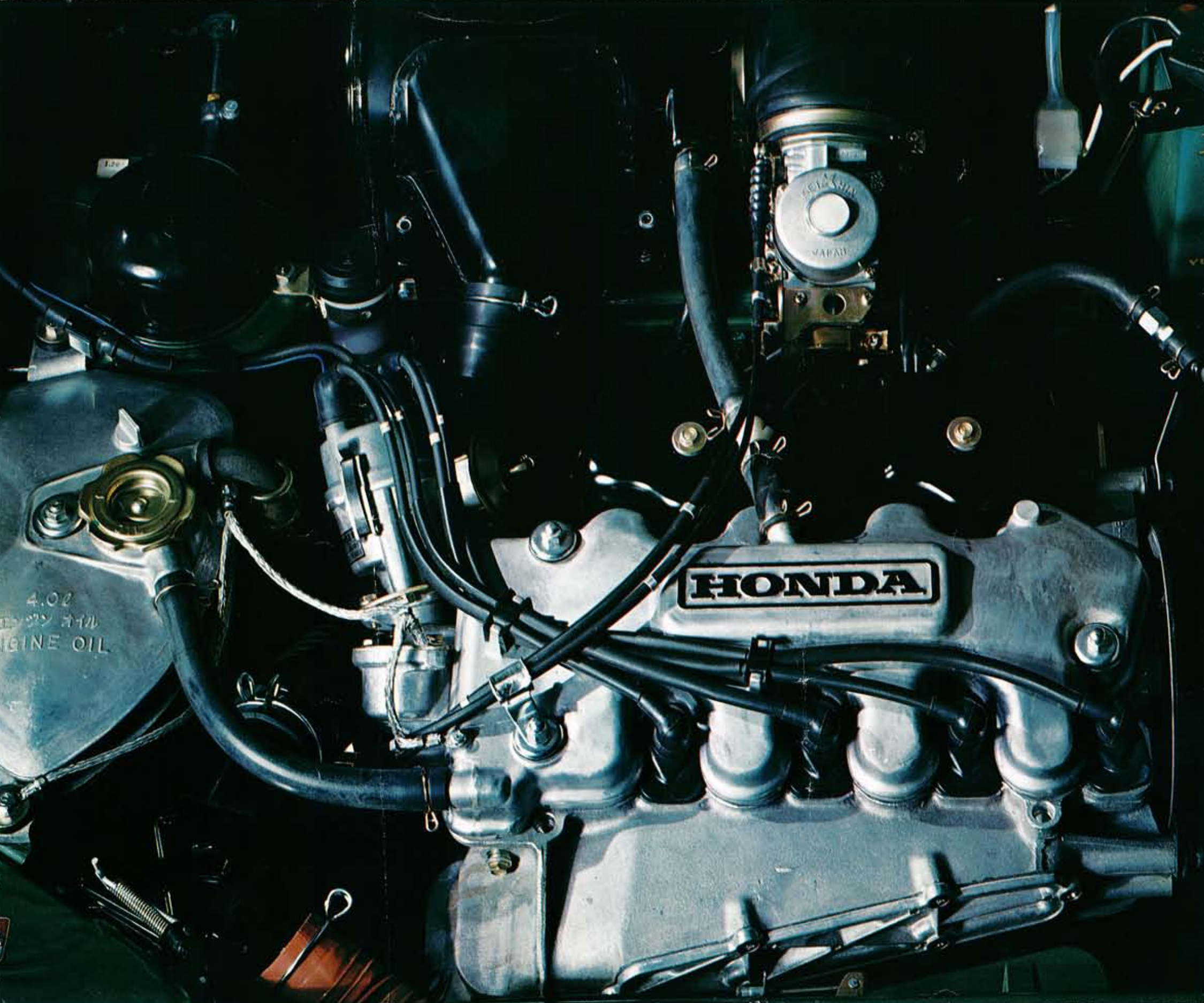


## Extremely Spacious Interior, Full Dashboard Instrumentation And a Multitude of Special Features for Driving Safety



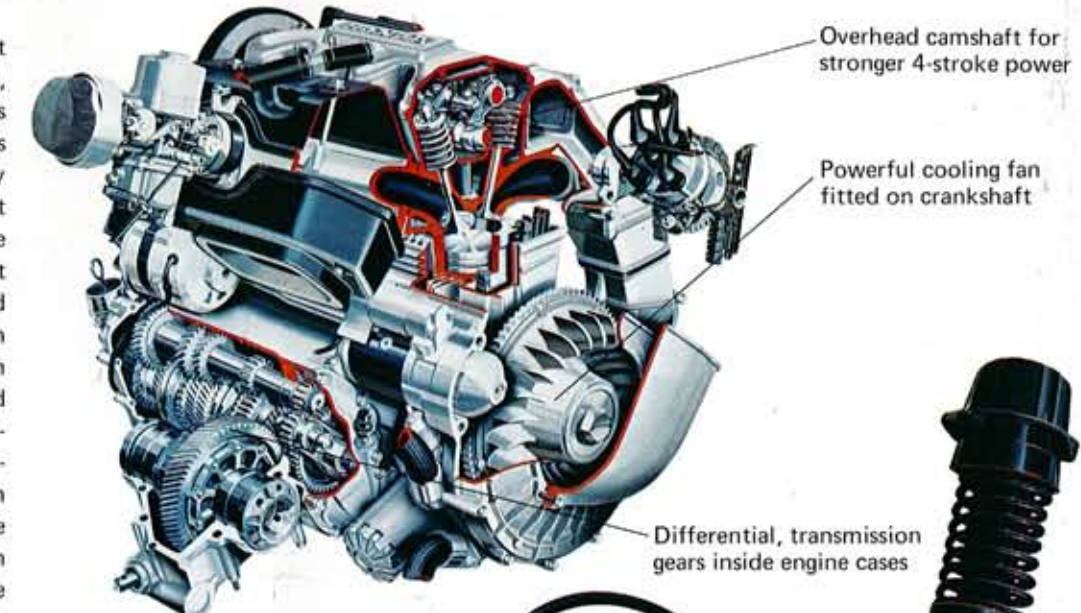
The Honda 1300 Coupe provides a plentiful amount of legroom and headroom for both front and rear seat passengers. Large, wide, sashless doors make it easy for passengers to get in and out. The driver and front seat passenger are pampered by full reclining separate seats mounted on slides for forward/rearward adjustment to the most comfortable position. Riding in the Honda Coupe is surprisingly quiet and smooth. The revolutionary new Honda Duo Dyna air cooling system avoids engine noise previously associated with air-cooled cars. The unique T-frame engine mounting eliminates vibration. Sleek body styling keeps wind noise to a minimum. The compact engine and front wheel drive system results in a bonus of interior space. Four adults can ride in perfect comfort for hours of pleasant driving. A heater and the fresh air flow-thru ventilation system add to riding enjoyment. A quite spacious boot in the rear permits the carrying of a very sizable amount of luggage, and the spare tyre is stored so that it does not take up boot space. For safety, the petrol tank is mounted outside the monocoque body. The driver can operate the two-speed windscreen wipers and water spray without taking his hands from the steering wheel. Likewise the passing lamp control. Securely-anchored safety belts slip out of the way into pockets when not in use. The car interior is well padded at all possible contact points and there are no sharp projections. Door latches are shock-proof. A fail-safe dual wiring system assures that half the lamps remain operative even if one circuit becomes faulty. All lamps and reflectors are large and very bright. A hazard warning switch flashes all four turn indicator lamps and the side marker lamps.



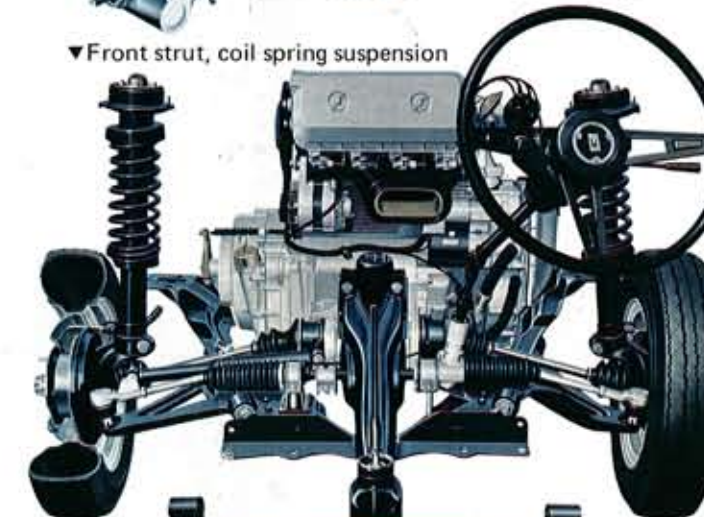


## Duo Dyna Air Cooled OHC 4-Stroke Engine, Front Wheel Drive, Independent 4 Wheel Suspension with Rear Cross Beams

The four cylinder overhead camshaft 4-stroke engine is Duo Dyna air cooled, with cool air forced through finned ducts cast into the aluminium alloy engine as well as the air stream flowing across stubby outside fins which are so short they do not cause noisy vibration. Every area of the engine gets the exact amount of cooling it needs for top efficiency. Oil is cooled quickly in a separate finned oil tank with the dry sump lubrication system, which avoids power loss through oil drag and permits a more compact engine. A power-boosting overhead camshaft and hemispherical combustion chambers assure high output and a flexible engine. The 4-forward-speed plus reverse transmission and the differential gears are inside the engine cases of this front engine, front wheel drive coupe. Sporty direct-linkage floor change lever, rack-and-pinion steering and low profile radial tyres give easy and precise handling. Stopping is quick and safe with the fail-safe tandem master cylinder hydraulic brakes, with servo-mechanism front discs and pressure control valve to prevent rear wheel skidding. A cassette type fuse box beneath the dashboard is easy to check. Four wheel independent suspension is provided, with front struts and coil springs and coil springs and unique Honda "cross beams" and leaf springs in the rear. With cross beam axles nearly as long as the car's width, wheel camber change is kept to an absolute minimum. De Carbon type shock absorbers containing compressed inert nitrogen gas are fitted. Combined with the front-engine, front-wheel-drive system, this revolutionary suspension system guarantees greatly improved driving ease and safety with an assurance of improved high speed cornering, greater stability and a more comfortable ride.



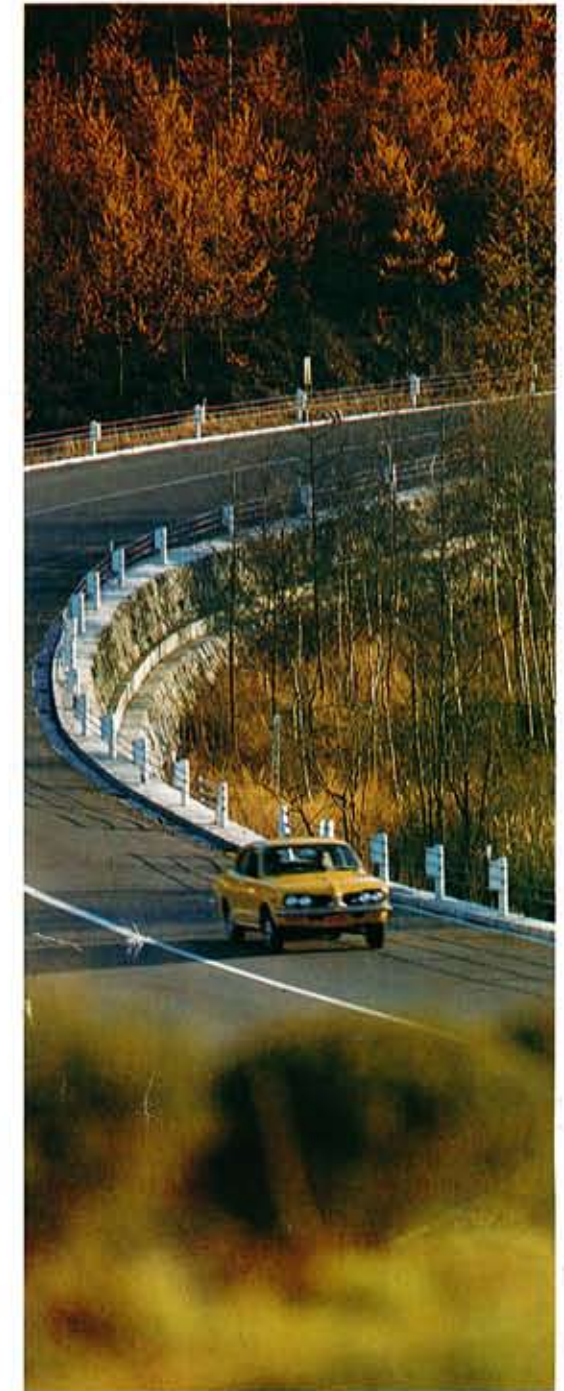
▼ Front strut, coil spring suspension



Front disc brakes with safety servo-mechanism



▲ Rear 'cross beam' suspension





#### Specification (Coupe 9 in brackets)

Maximum Speed	110 mph (115 mph)
Horsepower	95 ps/7,000 rpm (110 ps/7,300 rpm)
Torque	76 ft-lb/4,000 rpm (83 ft-lb/5,000 rpm)
Petrol Consumption Engine	56 mpg at 40 mph OHC 4-stroke, vertical in-line 4-cylinder, transversely mounted, Duo Dyna air cooled
Displacement	1,298 cc (72.2 cu in)
Bore x Stroke	2.91 x 2.97 in
Compression	9:1
Transmission	4 synchromesh forward speeds, 1 reverse
Steering & Ratio	Rack and pinion, 19.6:1
Brakes	Hydraulic, front disc, rear drum
Tyres	6.2S-13 (6.2H-13)
Dimensions L x W x H	163 x 59 x 52 in.
Wheelbase	88.7 in
Track	49 in front, 47 in rear
Road Clearance	6.9 in
Kerb Weight	1,985 lb

Specifications subject to change without notice.  
Specifications certified by Transport Ministry of  
Japan.

#### 6 Standard Body Colours

McKinley White

Lightning Yellow

Pop Orange

Cardinal Red

Patricia Green

Silver Fox Metallic