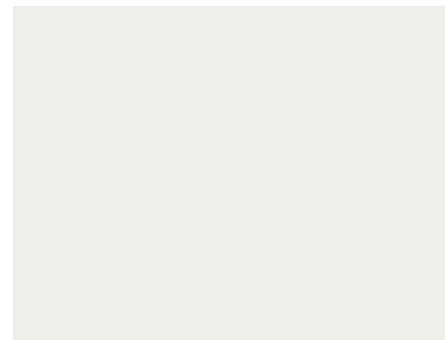


# HONDA ACCORD



DEEP VELVET BLUE PEARL\*

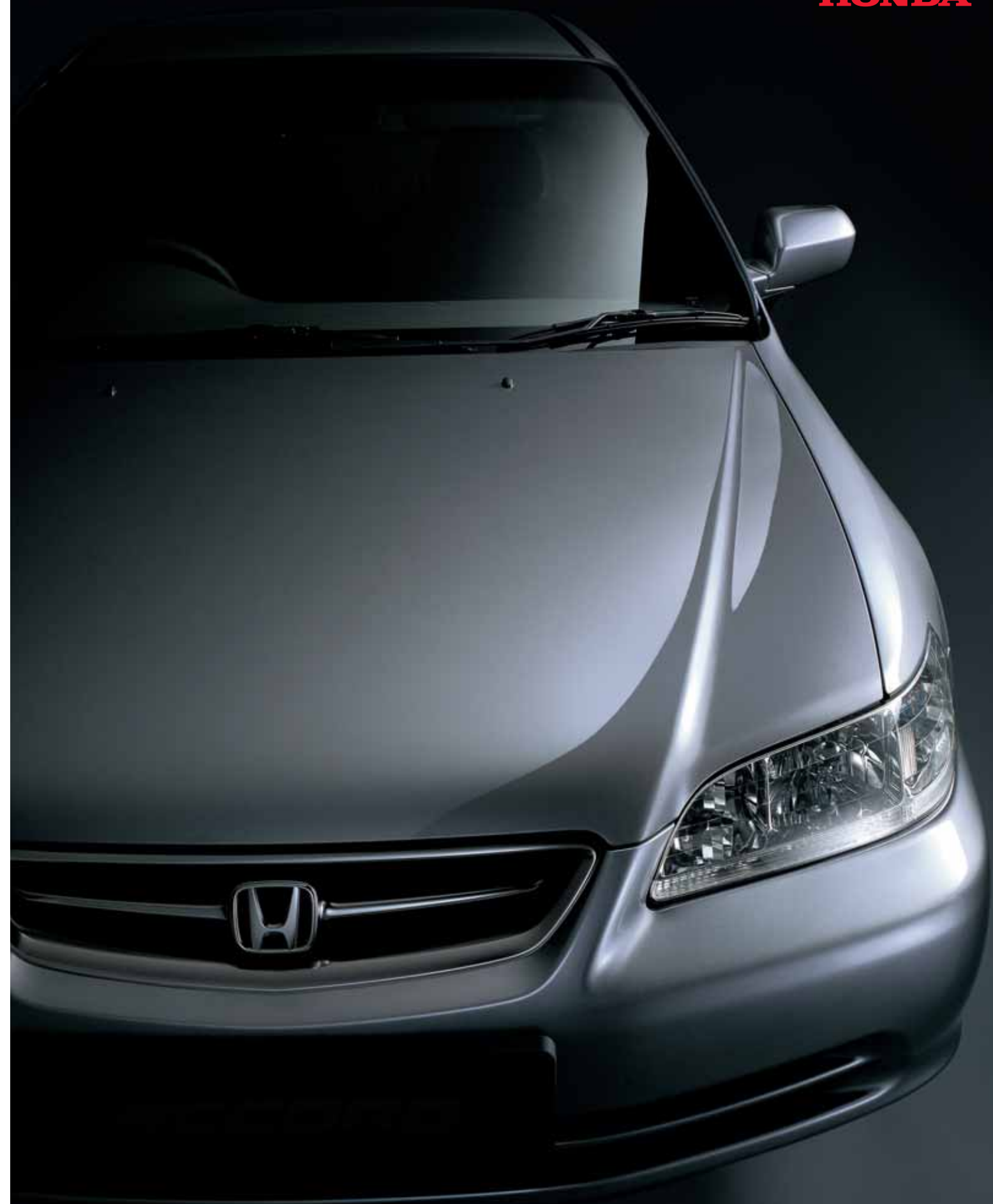
NIGHTHAWK BLACK PEARL\*

TAFFETA WHITE



SIGNET SILVER METALLIC\*

NAPLES GOLD METALLIC\*



## COLOURS

EXTERIOR	INTERIOR VTI-L	INTERIOR V6L
Deep Velvet Blue Pearl*	Lapis	Lapis
Taffeta White	Lapis	Lapis
Signet Silver Metallic*	Lapis	Lapis
Naples Gold Metallic*	Ivory	Ivory
Nighthawk Black Pearl*	Ivory	Ivory

## WARRANTY

	VTI-L	V6L
3 year/100,000 km	✓	✓
3 year paint protection	✓	✓
6 year corrosion protection	✓	✓



Honda Australia Pty. Ltd. A.C.N. 004 759 611.  
 95 Sharps Road, Tullamarine, Victoria, 3043.  
 Melbourne (03) 9285 5555. Brisbane (07) 3260 4888.  
 Sydney (02) 8748 3333. Perth (08) 9277 0444.  
[www.honda.com.au](http://www.honda.com.au)

The fuel consumption figures quoted in this brochure are based on AS2877-1986 test results. You may experience different results depending on driving conditions and the condition of the vehicle. The specifications and major features listed herein are accurate as at the date of printing (May 2002/01YM). However, Honda Australia Pty. Ltd. reserve the right to change or modify specifications and major features at any time without prior notice. Due to ordering, shipping and freight factors, some colour and model availabilities may vary from time to time. Check with your Honda Dealer for current information on availability. Only Genuine Honda Accessories are made to fit Honda vehicles. For a Genuine Honda Accessory brochure contact your Honda Dealer or Honda Australia on 1800 804 954.

✓ Standard Equipment      - Not Available      \* Additional Cost

Printed on recycled paper.  
 FCB HON1169





Everything we do is driven by the single-minded vision of our founder, Soichiro Honda: "... to challenge conventional wisdom and create new, more useful technology."

This means utilising technology to create safer, more efficient and more user-friendly vehicles, and is the basis for what we call Human-Centred Engineering.

Undoubtedly motor racing provides the quickest road to achieving such innovation, bringing out the best in those behind the drawing board as much as those behind the wheel. That's why Honda has contested over 200 Formula One Grands Prix, proudly achieving 71 victories and a plethora of

engineering advances. This research and development successfully continues unabated in Indy racing and F1.

It was as a direct result of our racing program that Honda created the genius of Variable valve Timing and lift Electronic Control (VTEC) technology.

Today, our focus is also on engineering that addresses the needs of our environment. Most recently Honda has produced another breakthrough in motoring. The Ultra Low Emission Vehicle (ULEV) engine found in the Honda Insight, which integrates electric with petrol power.

It's another way in which our founder's vision is helping create the future.



*VTi-L model shown.*

## A vision of what the prestige sedan can be.

Today's motorists have higher standards than ever before. Drivers and passengers alike expect the best of everything in a prestige sedan. And in the new Honda Accord, they get it. Superior performance, economy, comfort, safety and above all, lasting satisfaction.

Honda motor vehicles are so pleasurable to drive because they're all designed with human beings in mind.

The new Honda Accord proves it yet again. It is a vision of what the sedan can be.

It's the result of 20 years of unprecedented engineering achievements.

From quiet, spacious, luxurious surroundings, you view the world through panoramic windows. As you drive, you'll do so with the confidence of supreme performance as well as intelligent fuel efficiency.

And in terms of safety and environmental protection, the car is without equal.

Now is the time to move up to a vehicle that exceeds all your expectations. The new Honda Accord.





## COMFORT



### Not just an interior, a haven of tranquillity.

Honda Accord is wider than before, which means more interior space for you to luxuriate in.

We've paid a lot of attention to keeping the outside world outside. The ride is quieter, thanks to an improved noise insulation system. To prevent outside noise entering the cabin, cavities in the structured pillars are filled with polypropylene.

Overall improvements in NVH (Noise

Vibration Harshness) make the new Accord the quietest, smoothest ever.

In the Accord this is only the start of what tranquillity means.

Entry and exit are easy thanks to wide doors and generous shoulder, head, leg and elbow room.

If the front seats are like armchairs, the rear is like a three-seater sofa. But when there

are only two people in the back, they can share a generously padded centre armrest.

When there are no passengers, the rear seat folds down to create a load area some station wagons would envy. And every Accord model now comes equipped with the comfort and luxury of supple leather upholstery.











Civilised touches abound.



6

Slip behind the tilt adjustable steering wheel and the first thing you do is position the seat to suit you.

The door locks, windows and mirrors are electric on both models.

While the green glass in those windows actually deflects heat and harmful UV rays

away from the occupants. And in the V6L a CD player is also standard.

Lockout prevention and reminder alarms will help you to avoid any inconvenience through oversight.

In the V6L model thoughtful amenities such as map lights, a coin pocket, an

illuminated vanity mirror and an accessory outlet anticipate your needs before you're even aware of them.

Another example of thoughtful design is the front centre armrest which doubles as a large storage compartment. There are also dual cup holders front and rear in both models.



- 1 One piece fold down rear seat.
- 2 Rear armrest with drink holder.
- 3 Front drink holders.
- 4 Centre console with driver's armrest and storage compartment.
- 5 Deep door pockets.
- 6 Radio wave keyless entry.





## Great performance. Great for everyone.



VTEC gives you greater power and fuel economy as well as lower emissions.

There are two Accords to choose from: The 2.3 litre, 4 cylinder VTI-L LEV with VTEC. And the 3 litre VTEC V6L.

The 4 cylinder LEV (Low Emission Vehicle) engine with the genius of VTEC produces 110kW of Honda power as well as being a remarkably environmentally friendly vehicle. Its emissions are

up to 80% less than



\*Australian Design Rule 37/01

required by the Australian Standard\*.

The V6L model with VTEC is environmentally friendly. However the real story is its performance. The 3 litre engine produces a powerful 147kW output, which allows it to fly gracefully from 0 - 100 km/hr in a mere 8.6 seconds.

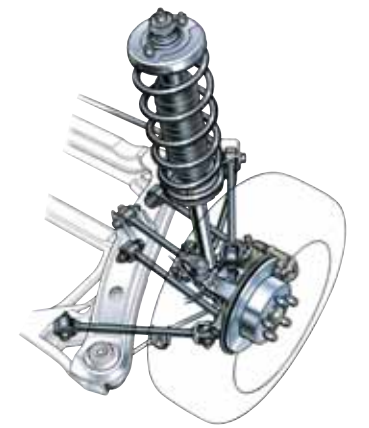
This powerplant drives the front wheels via an electronically controlled, 4-speed

automatic transmission with Honda's Grade Logic Control System.

This system uses sophisticated computer programming to identify different driving situations. The Grade Logic Control System reprograms the gear shift points for the best performance and efficiency from the car. So driving up a steep hill, where conventional automatics would continually shift between

third and fourth gears, Grade Logic selects a program that keeps the Accord in third.

To this add Accord's compact 5-link double wishbone rear suspension, new lightweight alloy wheels and you have a superb combination of smooth ride, responsive handling and great stability.



The 5-link double wishbone rear suspension offers accurate camber when cornering and allows for more rear seat and boot space.



- 1 Honda conducts an exhaustive program of crash analysis from all sides during vehicle development.
- 2 Three-point ELR seat belts safeguard all 3 rear seat passengers.
- 3 Strong intrusion panels, beams and an additional stiffener at shoulder level help maintain cabin integrity in a side collision.
- 4 Rear mount stop light.
- 5 Improved visibility owing to improved headlight design and performance.



Note: This picture is to display airbags only. Australian models come standard with leather trim.

### Safety features you can live with.

The Accord incorporates safety features that are so perfectly tailored to the car that you won't even notice them. Unless you need them.

You can rely on the most advanced active protection to help you avoid hazards. Lights are brighter, visibility is better, acceleration and agility are superior. A comprehensive range of dials and warning lights keep the driver informed at all times. The power-assisted rack and pinion steering has been fine tuned for greater turning ease.

What's more, on this Accord a lightweight Anti-lock Braking System (ABS) helps you stay in better control.

Accidents can happen, of course. In which case, you have the security of omnidirectional collision shielding and effective impact absorption.

The intelligent sensors in the driver and front passenger airbags can judge the severity of a collision and adjust the inflation of the passenger airbag accordingly.

Surrounding the driver and passengers is an immensely strong frame with a 40% increase in torsional rigidity.

We've also gone to great lengths to ensure you keep your new Accord.

There are anti-theft reinforcements on all door locks and windows, as well as an immobiliser on the engine.

It's all part of our dedication to responsible engineering and your peace of mind.



### The world's finest cars: The world's finest after-sales service.

At Honda, providing the world's finest after sales service is just as important as building the world's finest cars.

The entire Honda Dealer Network is dedicated to keeping your new Honda at peak performance, so it gives you years of pleasure.

Honda Dealer staff and technicians are factory trained and keep up-to-date with the most advanced technologies by attending an ongoing series of seminars and training courses.

To ensure only the highest standards are maintained, we have strict requirements of any person or entity wishing to open a Honda Dealership.

Every Honda Dealership maintains a comprehensive inventory of Genuine Parts and has access to a central warehouse via the

Hondanet computerised order/supply system.

Genuine Parts can be quickly delivered anywhere in Australia.

Our cars have such precise engineering that we use specialised, high-tech equipment, unique to Honda. Nobody else can maintain your Honda like we can.

To maintain the performance and value of your Honda we recommend that it be serviced regularly and that Honda Genuine Parts are always used.

Every new Honda motor vehicle comes with our 3 year, 100,000 km warranty. This includes a 3 year surface corrosion warranty and a 6 year rust perforation warranty.

We are committed to providing prompt, courteous service in a professional manner at the time of purchase and throughout your ownership.

### The Honda Way

"Our Pledge to a Unique Experience"

When you purchase a Honda, we dedicate ourselves to a standard of sales and after sales service that is consistent with the outstanding quality of our products.



SPECIFICATIONS

POWERTRAIN	VTi-L	V6L
Engine	Inline 4 cylinder SOHC VTEC	V6 SOHC VTEC
Capacity	2.3 litre – 2254 cc	3.0 litre – 2997 cc
Max power	110 kW @ 5700 rpm	147 kW @ 5500 rpm
Max torque	206 Nm @ 4900 rpm	265 Nm @ 4700 rpm
Control system	Honda programmed Fuel injection & ignition	Honda programmed Fuel injection & ignition
Emission standard	Low Emission Vehicle (LEV)	ADR 37/01
Automatic transmission	4 speed with Grade Logic Control	4 speed with Grade Logic Control
Fuel type	Unleaded – ULP	Unleaded – ULP

CHASSIS

Body type	Monocoque	Monocoque
Front suspension	Double wishbone	Double wishbone
Rear suspension	Double wishbone	Double wishbone
Stabiliser bars	Front & rear	Front & rear
Power steering	✓	✓
Wheel type	Alloy	Alloy
Spare wheel type	Full size	Full size
Front brakes	Vented disc	Vented disc
Rear brakes	Disc	Disc

EXTERIOR

Bumpers	Impact absorbing	Impact absorbing
Front wiper	2 speed with intermittent	2 speed with intermittent
Headlights	Halogen type	Halogen type
Keyless entry	✓	✓
Power door mirrors	✓	✓
Rear window demister	✓	✓
Side protectors	Body coloured	Body coloured

INTERIOR

Accessory power outlet (10 amp)	✓	✓
Air conditioning	✓	✓
Ashtray	✓	✓
Central locking	✓	✓
Centre armrest	✓	✓
Cruise control	✓	✓
Cup holders	Front x 2, rear x 2	Front x 2, rear x 2
Dashboard warning lights	Comprehensive array	Comprehensive array
Digital clock	✓	✓
Door pockets	Front & rear	Front & rear
Driver's footrest	✓	✓
Driver's seat power height adjuster	✓	✓
Driver's window	Auto up/down	Auto up/down
Glovebox	✓	✓
Head restraints – front	Adjustable	Adjustable
Head restraints – rear	Adjustable	Adjustable
Immobiliser system	Fully integrated	Fully integrated
Interior illumination	Cargo area	Cargo area
Interior illumination	Courtesy light	Courtesy light
Interior illumination	Door light	Door light
Interior illumination	–	Map light
Lights-on warning	Chime	Chime
Low fuel warning	✓	✓
Power windows	✓	✓
Seats – front	Fully reclining	Fully reclining
Seats – rear	One piece fold down	One piece fold down

SPECIFICATIONS

INTERIOR CONT'D	VTi-L	V6L
Seatback pockets	✓	✓
Seatbelt height adjuster	Front	Front
Steering column	Tilt adjustable	Tilt adjustable
Steering wheel	Leather	Leather
Sunglass holder	–	✓
Tachometer	✓	✓
Trim	Leather	Leather
Tripmeter	✓	✓
Vanity mirror with cover	Driver/passenger	Driver/illuminated passenger
Windows	Heat absorbing	Heat absorbing
Woodgrain style trim	✓	✓

ACTIVE SAFETY

Anti-lock Brakes (ABS)	✓	✓
Convex door mirror	Passenger side	Passenger side
Hazard warning lights	✓	✓
High mounted stop light	✓	✓
Rear view mirror	Day/night type	Day/night type
Seatbelt reminder	Driver	Driver
Suspension – front	Double wishbone	Double wishbone
Suspension – rear	Double wishbone	Double wishbone
Transmission shiftlock	✓	✓

PASSIVE SAFETY

Airbag SRS	Driver & passenger	Driver & passenger
Child safety seat anchorages	x 3	x 3
Fire retardant interior	✓	✓
Front windscreen	Laminated	Laminated
Fuel tank roll over valve	✓	✓
Instrument panel	Padded	Padded
Monocoque body construction	✓	✓
Progressive crumple zones	Front & rear	Front & rear
Screw type fuel cap	✓	✓
Seatbelts – 3 point ELR	All seating positions	All seating positions
Side impact protection	✓	✓
Steering column	Energy absorbing type	Energy absorbing type

DIMENSIONS

Length	4810 mm	4810 mm
Width	1785 mm	1785 mm
Height	1445 mm	1455 mm
Ground clearance – laden	118 mm	118 mm
Weight – tare	1426 kg	1466 kg
Turning circle	11 m	11 m
Fuel economy – city (litres / 100 km)	10	11.3
– highway (litres / 100 km)	7.4	8
Fuel tank capacity	65 litres	65 litres
Wheel size	15 x 6.0 JJ	15 x 6.5 JJ
Tyre size	195/65 R15 91V	205/65 R15 94V
Maximum towing capacity – trailer with brakes	1200 kg	1500 kg
– trailer without brakes	500 kg	500 kg
Seating capacity	5	5

AUDIO

AM/FM radio, stereo cassette	4 channel x 35 watts	4 channel x 40 watts
CD compatible	CD stacker optional	6 stack in-dash CD player
Front speakers	2 x 160 mm	2 x 160 mm, 2 x tweeter
Rear speakers	2 x 160 mm x 235 mm	2 x 160 mm x 235 mm
Antenna	In glass type	In glass type