

Radio fittings	86	Vehicle jack	65
Radio remote control	60	Vehicle tool kit	65
Radio systems	87	Ventilation system	80
Rear lights	76	Voice control system	88
Rear seats, folding	79	Warning and telltale lights	90
Rear window wiper	61	Warning buzzer	90
Rear window, heated	61	Warning triangle	91
Reversible mat	82	Wheel bolts with anti-theft locks	65
Round-the-clock assistance	92	Wheels/tyres	51, 62-65
S line	54-57	Windscreen	60
S line roof edge spoiler	61	Windscreen cleaning system	60
S line sports suspension	88	Winter wheels	65
S tronic	91	Xenon plus	76
Safety steering column	89		
Seat belt reminder	91		
Seat belts	90		
Seat heaters	78		
Seats	78		
Side airbags, front	90		
Side impact protection	90		
sideguard	90		
Sill trims	80		
Ski bag, removable	81		
Socket, front	83		
Soft touch function	60		
Spare wheel, space saving	65		
Sports seats, front	78		
Sports suspension	88		
Steering wheels	84, 85		
Storage compartments	81		
Storage package	81		
Sun blind	82		
Sun visors	82		
Through-loading facility with removable ski bag	81		
tiptronic	91		
tire mobility system	65		
Traction control (ASR)	89		
Trailer towing hitch	61		
TV reception (analogue)	86		
Two-tone horn	82		
Tyre pressure monitoring system	65		
USB fittings	87		

Vorsprung durch Technik www.audi.com

The models and equipment versions

illustrated and described in this

brochure and some of the services listed

are not available in all countries. Some

of the cars illustrated are equipped with

optional equipment for which an extra

charge is made. Details concerning the

delivery specifications, appearance,

performance, dimensions and weights,

fuel consumption and running costs of

the vehicle were correct to the best of

our knowledge at the time of going to

press. Deviations from the colours and

shapes shown in the illustrations

may occur. No liability is accepted for

errors and printing errors. The right to

introduce modifications is reserved. Not

to be reproduced, including in part,

without the written approval of AUDI AG.

This brochure is printed on paper

made from pulp bleached without

the use of chlorine.

AUDI AG

85045 Ingolstadt

www.audi.com

Valid from April 2007

Printed in Germany

733/1104.38.18



Audi

Audi A3





Awaken my instincts. The engines of the Audi A3 are available in several powerful variants. Even the economical, entry-level four-cylinder petrol model can offer a punchy 75 kW. The other 4-cylinder models have an output of 85 kW, 110 kW or 118 kW. All models deliver high torque – you'll notice that as soon as you put your foot down. With an output of 118 kW, the 1.8 TFSI and with 147 kW, the 2.0 TFSI combine the advantages of turbo technology with race-proven direct petrol injection.



Of course, the Audi A3 is also available as a diesel with the intelligent TDI technology. With 77 kW, 103 kW and 125 kW, these engine models combine dynamic performance with economical consumption figures.

The high-performance sportsman for the Audi A3, however, is the sublime 3.2 litre V6 engine. Extra cylinders and, above all, 184 kilowatts mean more pulling power, more acceleration and more fun.

The V6 engine unites comfort with sportiness. It is combined as standard with quattro® permanent four-wheel drive and as an option with the S tronic. You can find more detailed information in the following pages. But we'll tell you this much for now: You will be amazed at how much fun driving can really be.

Use my power. Four of the petrol engines in the Audi A3 are fitted with the innovative FSI® technology; the 1.6 FSI, the 2.0 FSI, the 1.8 TFSI and the 2.0 TFSI engines deliver more power than conventional engines – but use less fuel. FSI® demonstrated this most impressively at

Le Mans, where Audi pulled off a historic triple victory. In FSI® engines, the fuel is injected directly into the combustion chamber. This facilitates more efficient mixture formation. The system only burns as much fuel as is required and the engine responds more quickly and in a sportier fashion.

The economic TDI technology proved its worth long ago with diesel engines. Just like with FSI®, the fuel is injected straight into the combustion chamber. The difference between this system and that of conventional engines is the injection pressure. On a TDI engine with piezo injectors, fuel shoots into the combustion chamber at 2,200 bar. Even at low speeds, this high injection pressure ensures a powerful torque and a resulting sporty response that you don't necessarily expect from a diesel engine. But you certainly get it from the Audi A3.





ADMIRE ME





Sports seats with seat covers in black/crimson red two-tone look in Fine Nappa leather.



Steering wheel rim with coloured seam detail.



Matt brushed aluminium inlay.



Gear lever gaiter with coloured seam detail.

Audi exclusive line A3

(only for Ambition)

Black interior (including black attachments)

Seat covers in two-tone look (seat side bolsters black/seat centre panel optionally in crimson red, silver or cognac) in Fine Nappa leather (sports seat)

Door panel inserts as interior trim (black)

Audi exclusive sill trims

Matt brushed aluminium inlays;
optional: Piano finish black

Floor mats with coloured piping (corresponding to seat centre panels)

Sports leather steering wheel in 3-spoke styling, with coloured seam (corresponding to seat centre panel);
optional: sports leather steering wheel in 3-spoke design with gearshift function,
multifunction sports leather steering wheel in 3-spoke design or
multifunction sports leather steering wheel in 3-spoke design with gearshift function,
both with coloured seam detail (corresponding to seat centre panels)

Steering wheel rim, seat side bolsters, head restraints and gear lever gaiter with coloured seam detail
(corresponding to seat centre panels)

Headlining in black cloth



S line – redefining sportiness.

Experience the A3 all over again. With the S line exterior package and the S line sports package you can accentuate the dynamic appearance of the A3 and experience even more driving enjoyment. The attractive cloth/leather combination sports seats and an extravagant sports leather steering wheel with colour-contrasting seams are just some of ways you can do this. The A3 displays its athletic side on the outside with sporty bumpers in a powerful sporty design and a striking roof edge spoiler. Relish the thrilling overall impression it makes. Transform your A3 into a brand new, even sportier appearance.



Ergonomic: sports seats in cloth/leather combination with S line emblem.



High-quality: door panel inserts in Speed cloth, matt brushed aluminium inlays.



Sporty: selector lever knob in perforated black leather.

S line sports package

(only for Ambition)

Cast aluminium wheels in 9-spoke styling, size 7.5 J x 17 with 225/45 R 17 tyres;
optional: in 5-spoke styling, size 7.5 J x 17 with 225/45 R 17 tyres;
also optional: in 20-spoke, 5-arm or 7-double-spoke styling,
size 7.5 J x 18 with 225/40 R 18 tyres

S line sports suspension from quattro GmbH, with more dynamic suspension tuning and suspension lowered by 10 mm (compared to Ambition)

S line logo in radiator grille and on the rear side protective strips (left/right)

Sill trims with S line logo

Interior, dashboard and headlining, black

S line inlays in matt brushed aluminium;
optional: in Piano finish black

Sports seats for both front seats

S line sports leather steering wheel in 3-spoke styling, in black leather with S line emblem and colour-contrasting seams;
optional: multifunction sports leather steering wheel in 3-spoke design or multifunction sports leather steering wheel in 3-spoke design with paddle switches – both in black leather with S line emblem and colour-contrasting seams

Gear lever knob in perforated black leather;
optional: gear lever knob in aluminium (for manual shift transmission)

Handbrake grip in black leather

Illuminated make-up mirror

Options for seat covers and exterior paints:

Seat covers in Speed cloth/leather or Vienna leather, each in black and with S line emblem in the front seat backrests

Exterior paints in all standard production colours, additional colour options in the special colours of Avus Silver pearl effect and Misano Red pearl effect

S line exterior package

Front and rear bumpers in distinctive sporty design

Radiator grille in S line finish

S line logo in radiator grille and on the rear side protective strips (left/right)

Sill trims with S line logo

S line roof edge spoiler

Front fog lights (standard for Ambition)

Double exhaust tailpipe also for A3 1.6

**Glass sliding sunroof**

electric, tinted single-glazed safety glass, with infinitely adjustable sun shield; integral wind deflector, automatic pre-selection of sunroof position; convenience closing from outside via the central locking system and the radio-operated remote control

Radio remote control

for the central locking, incorporated into the vehicle key, with just one touch of the button the system opens and locks the doors, windows, luggage compartment and fuel filler cap. Lights in the key indicate the vehicle's current lock status with variable code.

Garage door opener (HomeLink)

programmable radio remote control, control buttons integrated in the sun visor; can be used to open and close garage doors and exterior gates; can be used to control security and lighting systems; for more information, please contact your Audi partner.

Anti-theft alarm

with tow-away protection via angle of inclination sensor (can be deactivated), including interior monitoring system (can also be deactivated); horn operates independently of vehicle electrical system (back-up horn), for monitoring of doors, bonnet and tailgate

Door handles

flush with the outer body skin, body-coloured

Soft touch

electrically-assisted tailgate lock release

Gas strut

for the bonnet and two for the tailgate

Windscreen with grey strip

made of heat-insulating glass with grey coloured strip along the top edge. (Standard for Ambiente and for automatically-dimming interior mirror with light/rain sensor)

Heat-insulating glass

green-tinted

Privacy windows

Darkened rear window and rear side windows

Windscreen cleaning system

with two speeds, 4-speed adjustable intermittent wipe, flick-wipe function, automatic wash/wipe, with reversing wiper system and park setting to increase the service life of the wiper blades

Rear window

heated, with timer switch; extra heating in the lower end position of the rear window wiper

Rear window wiper

with automatic wash/wipe function and automatic wiping when reverse gear is selected (and front windscreen wipers are switched on)

**S line roof edge spoiler**

body-coloured. From quattro GmbH

Singleframe

One-piece decorative trim frame around the radiator grille, with bright-metal Audi rings in the centre

Audi exclusive black styling package

Radiator grille and number plate bracket in matt black, highly-polished black radiator grille frame

Protective mouldings

body-coloured, for doors, side panels and bumpers

Bumpers

plastic-coated, body-coloured

Logo

Model name on the tailgate, quattro logo (for quattro models) on the radiator grille and tailgate, optionally available without model name on the rear

Trailer towing hitch

removable and lockable; the 13-pin socket can be swivelled out of sight behind the bumper skirt; when removed, the towing device can be stored in the spare wheel well

**Exhaust tailpipe**

visible, single for 1.6 and 1.6 FSI versions, twin tailpipes for petrol engines over 110 kW and diesel engines, curved slightly downwards for 1.9 TDI 77 kW and 2.0 TDI 103 kW



Steel wheels
with full-width wheel cover,
size 6.5 J x 16, with 205/55 R 16 tyres
(exclusively for Attraction)



**Cast aluminium wheels
in 7-arm styling,**
size 6.5 J x 16, with 205/55 R 16 tyres
(exclusively for Ambiente)



**Cast aluminium wheels
in 5-arm styling,**
size 7.5 J x 17, with 225/45 R 17 tyres
(exclusively for Ambition)



**Cast aluminium wheels
in 9-arm styling,**
size 6.5 J x 16, with 205/55 R 16 tyres
(option exclusively for Attraction)

Please find out from your local Audi partner which equipment is standard and what optional equipment is available in your country.



Cast aluminium wheels in 16-spoke styling, polished, two-tone, size 7.5 J x 17 with 225/45 R 17 tyres



Lightweight forged aluminium wheels in 7-Y-spoke styling, size 7.5 J x 17 with 225/45 R 17 tyres



Steel winter wheels, size 6 J x 16 with 205/55 R 16 tyres, can be fitted with snow chains; includes a full-width wheel cover for all vehicles with summer tyres on light alloy rims

All-season tyres, size 205/55 R 16 or 225/45 R 17

Tyre pressure monitoring system

monitors the tyre pressures specified by the driver and programmed into the system. If a tyre starts to deflate, the tyre pressure monitoring system gives the driver a visual and audible warning; the system is not intended as an alternative to carrying out regular tyre pressure checks



Cast aluminium wheels in 5-arm parabola styling, size 7.5 J x 17, with 225/45 R 17 tyres



Cast aluminium wheels in 16-spoke styling, size 7.5 J x 17 with 225/45 R 17 tyres



Cast aluminium winter wheels in 9-arm styling, size 6.5 J x 16 with 205/55 R 16 tyres

tire mobility system

with 12V compressor and tyre sealant, top speed 80 km/h

Spare wheel, space saving



Cast aluminium wheels in 5-spoke star styling, size 7.5 J x 17, with 225/45 R 17 tyres



Cast aluminium winter wheels in 5-arm styling, size 6 J x 17 with 205/50 R 17 tyres, optionally in the size 7.5 J x 17 with 225/45 R 17 tyres

Wheel bolts with anti-theft locks

can only be loosened with supplied adapter

Vehicle tool kit

in the luggage compartment

Vehicle jack

in the luggage compartment

Instrument cluster
with adjustable lighting; coolant temperature display and fuel gauge, rev counter with digital clock, speedometer with disproportionate display and electronic odometer/trip odometer, warning and telltale lights, maintenance interval display

Warning and telltale lights
for e.g.: airbag, ABS, ESP/ASR, handbrake on, EDL electronics, v, lights, main beam, indicators, braking system, engine oil pressure, closed tailgate, engine electrics, pre-heater system (TDI)

Warning buzzer
for lights-on indication

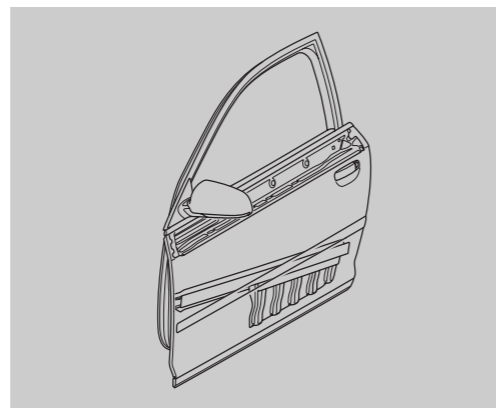
Cruise control system
maintains the desired speed above around 30 km/h, as permitted by the engine's power output or braking effect; operation via separate steering column stalk (Standard for Ambiente)

Immobiliser, electronic
integrated in the engine control unit, automatic activation by vehicle key

Body
galvanised (fully galvanised in areas at risk from corrosion), unit-construction, welded to the floor pan, with defined front and rear crumple zones. (12 year warranty against rusting)



Airbags
Full-size airbag for driver and front passenger, **side airbags**, front, integrated in the front-seat backrests; **sideguard**, large-area head-level airbag system, protects front and outer rear passengers in the event of a side impact; unfolds like a protective cushion in front of the side windows; sideguard supplements the side impact protection system and side airbags



Side impact protection
consists of bend-resistant door impact beam systems in hybrid design and reinforced body side structure, in particular in the B-pillars and sills

Audi backguard
In the case of a rear-end collision the seat shape supports the upper body and the head. This increases safety and reduces the danger of whiplash

Seat belts
Three-point automatic belts for all seats, with belt height adjustment and pyrotechnic belt tensioners at front; belt force limiters for all outer seats

Seat belt reminder
for the driver's seat; an acoustic and visual warning signal reminds you to fasten your seat belt

Door reflectors
passive, when the door is open safeguards against following traffic

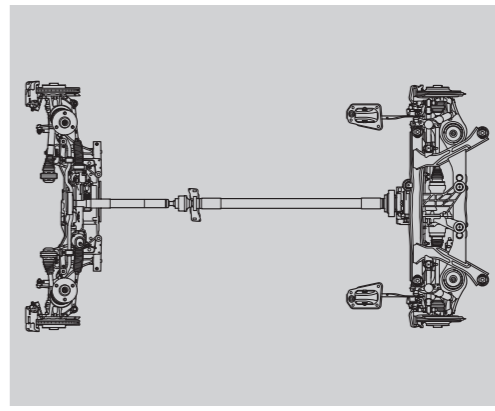
First-aid kit
in the storage compartment under the front-passenger seat

Warning triangle
stored in the luggage compartment under the loading sill cover (in quattro® models: stored under the load area floor cover)

ISOFIX child seat mounting for the front-passenger seat with deactivation switch for front-passenger airbag

ISOFIX child seat mounting for the outer rear seats
standard mounting for practical attachment of child seats in accordance with ISO standards; contact your Audi partner for compatible child seats

Front-wheel drive
Electronic Differential Lock (EDL) through intervention of the braking system on all driven wheels, traction control (ASR), Electronic Stabilization Programme (ESP) with Brake Assist



quattro®
permanent all-wheel drive for tremendous traction and driving safety. (Standard for 3.2 quattro, 2.0 TFSI quattro and 2.0 TDI quattro)



5 or 6-speed manual transmission
synchromesh on all gears, with hydraulically operated single-plate dry clutch with asbestos-free linings, two-mass flywheel

S tronic
The 6-speed sports transmission allows shorter gearshift times and gear shifting without any perceptible break in propulsive power; can be operated via the paddle switches behind the steering wheel, the gear knob or in automatic mode

tiptronic
6-speed with DSP and sports program; hydraulic torque converter with controlled lock-up clutch; the 6-speed automatic transmission with dynamic shift program (DSP) gives you the choice between convenient automatic gear shifting and involved manual shifting, and in the sports program - just pure dynamic driving

Model	A3 1.9 TDI	A3 1.9 TDI with diesel particulate filter	A3 2.0 TDI (103 kW)	A3 2.0 TDI (103 kW) with diesel particulate filter
Engine type	4-cylinder in-line diesel engine with unit pump direct injection and exhaust turbocharging	4-cylinder in-line diesel engine with unit pump direct injection and exhaust turbocharging	4-cylinder in-line diesel engine with unit pump direct injection and exhaust turbocharging	4-cylinder in-line diesel engine with unit pump direct injection and exhaust turbocharging
Displacement in cc (valves per cylinder)	1896 (2)	1896 (2)	1968 (4)	1968 (2)
Max. output¹ in kW at rpm	77/4000	77/4000	103/4000	103/4000
Max. torque in Nm at rpm	250/1900	77/4000	320/1750–2500	320/1750–2500

Power transmission/wheels

Type of drive	Front wheel drive	Front wheel drive	Front wheel drive	Front wheel drive
Transmission type	5-speed manual transmission [6-speed S tronic]	5-speed manual transmission [6-speed S tronic]	6-speed manual transmission [6-speed S tronic]	6-speed manual transmission [6-speed S tronic]
Wheels²	Steel wheels 6.5 J x 16	Steel wheels 6.5 J x 16	Steel wheels 6.5 J x 16	Steel wheels 6.5 J x 16
Tyres²	205/55 R 16	205/55 R 16	205/55 R 16	205/55 R 16

Weights/capacities

Unladen weight³ in kg	1280	[1320]	1280	[1320]	1330	[1360]	1330	[1360]	
Gross vehicle weight in kg	1840	[1880]	1840	[1880]	1890	[1920]	1890	[1920]	
Roof load/trailer nose weight in kg	75/75		75/75		75/75		75/75		
Trailer load limit⁴ in kg	unbraked	670	[690]	670	[690]	700	[710]	700	[710]
	12% gradient	1400		1400		1400		1400	
	8% gradient	1700		1700		1700		1700	
Fuel tank capacity, approx. l	55		55		55		55		

Performance/consumption⁵

Top speed in km/h	187 ⁶		187 ⁶		207		207		
Acceleration 0–100 km/h in s	11.4	[11.1]	11.4	[11.1]	9.5	[9.0]	9.5	[9.0]	
Fuel grade	Diesel to EN 590		Diesel to EN 590		Diesel to EN 590		Diesel to EN 590		
Fuel consumption⁹ in l/100 km	urban	6.6	[7.9]	6.1	[7.4]	7.0	[7.6]	7.0	[7.5]
	extra-urban	4.2	[4.5]	4.2	[4.6]	4.5	[4.9]	4.6	[4.5]
	combined	5.1	[5.7]	4.9	[5.6]	5.4	[5.8]	5.5	[5.6]
CO₂ emissions⁹ in g/km	urban	174	[209]	161	[196]	186	[201]	188	[203]
	extra-urban	111	[119]	111	[122]	119	[130]	124	[122]
	combined	135	[151]	129	[148]	143	[154]	148	[151]
Emissions standard	EU4		EU4		EU4		EU4		

[] Data for tiptronic or S tronic. Explanatory notes ¹ to ⁹ on page 101.

Model	A3 2.0 TDI quattro (103 kW)	A3 2.0 TDI quattro (103 kW) with diesel particulate filter	A3 2.0 TDI (125 kW) with diesel particulate filter	A3 2.0 TDI quattro (125 kW) with diesel particulate filter
Engine type	4-cylinder in-line diesel engine with unit pump direct injection and exhaust turbocharging	4-cylinder in-line diesel engine with unit pump direct injection and exhaust turbocharging	4-cylinder in-line diesel engine with piezo unit pump injection and exhaust turbocharging	4-cylinder in-line diesel engine with piezo unit pump direct injection and exhaust turbocharging
Displacement in cc (valves per cylinder)	1968 (4)	1968 (2)	1968 (4)	1968 (4)
Max. output¹ in kW at rpm	103/4000	103/4000	125/4200	125/4200
Max. torque in Nm at rpm	320/1750–2500	320/1750–2500	350/1750–2500	350/1750–2500

Power transmission/wheels

Type of drive	quattro® permanent all-wheel drive	quattro® permanent all-wheel drive	Front-wheel drive	quattro® permanent all-wheel drive
Transmission type	6-speed manual transmission	6-speed manual transmission	6-speed manual transmission [6-speed S tronic]	6-speed manual transmission
Wheels²	Steel wheels 6.5 J x 16	Steel wheels 6.5 J x 16	Steel wheels 6.5 J x 16	Steel wheels 6.5 J x 16
Tyres²	205/55 R 16	205/55 R 16	205/55 R 16	205/55 R 16

Weights/capacities

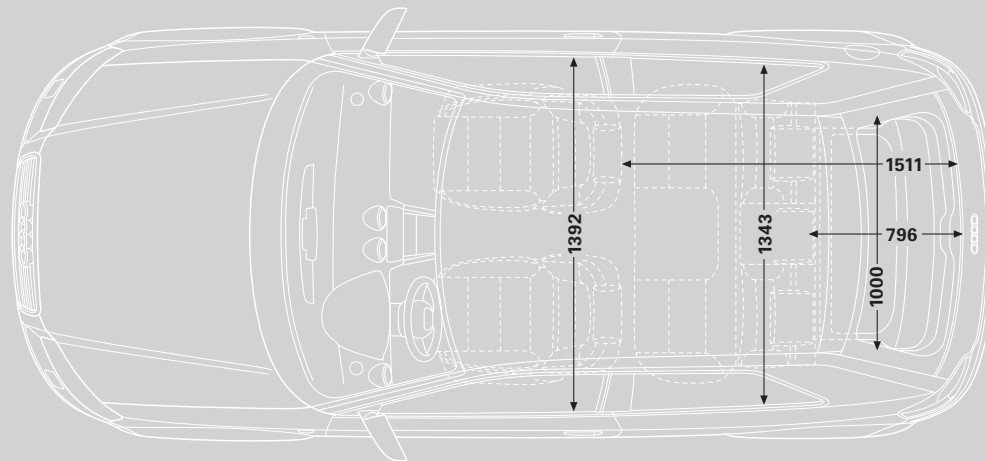
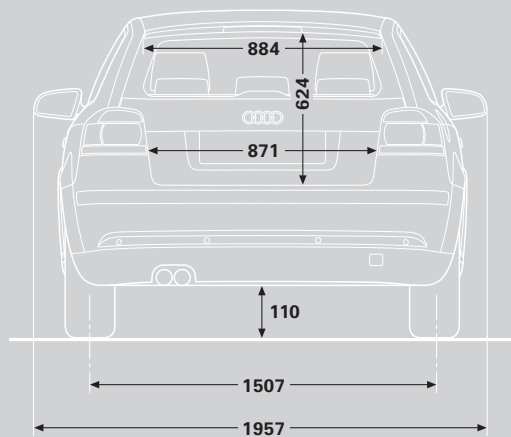
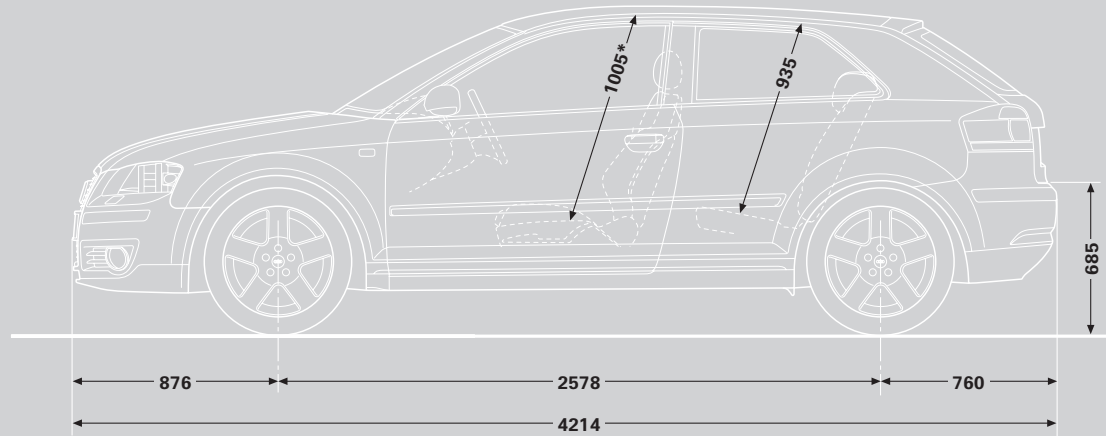
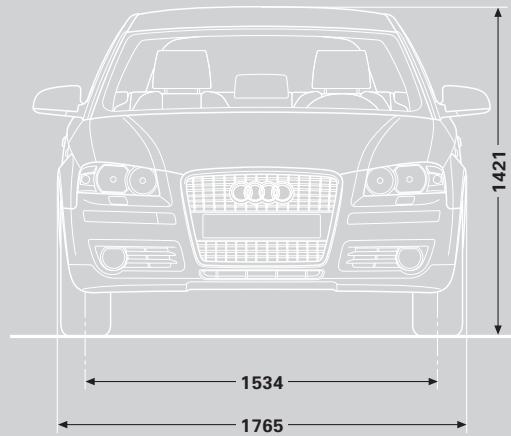
Unladen weight³ in kg	1430		1430		1335	[1370]	1440	
Gross vehicle weight in kg	1990		1990		1895	[1930]	2000	
Roof load/trailer nose weight in kg	75/75		75/75		75/75		75/75	
Trailer load limit⁴ in kg	unbraked	750		750		700	[720]	750
	12% gradient	1600		1600		1400		1600
	8% gradient	1800		1800		1700		1800
Fuel tank capacity, approx. l	60		60		55		60	

Performance/consumption⁵

Top speed in km/h	205		205		222		220	
Acceleration 0–100 km/h in s	9.4		9.4		8.2	[7.8]	7.8	
Fuel grade	Diesel to EN 590		Diesel to EN 590		Diesel to EN 590		Diesel to EN 590	
Fuel consumption⁹ in l/100 km	urban	7.6		7.5		7.7	[7.6]	8.5
	extra-urban	4.8		5.0		4.5	[4.9]	5.1
	combined	5.8		5.9		5.7	[5.9]	6.4
CO₂ emissions⁹ in g/km	urban	201		199		204	[201]	230
	extra-urban	128		133		119	[130]	138
	combined	154		156		151	[156]	173
Emissions standard	EU4		EU4		EU4		EU4	

[] Data for tiptronic or S tronic. Explanatory notes ¹ to ⁹ on page 101.

Audi A3



Dimensions in millimetres.

Dimensions were measured with vehicle at unladen weight, ground clearance measured with vehicle carrying its maximum load.
 Luggage compartment volume in l: front-wheel drive 350/1,080; quattro® permanent all-wheel drive 281/1,011
 (Measured by the VDA method using 200 x 100 x 50 mm blocks; second value: with the rear seat folded down and the vehicle loaded up to roof height). Turning circle approx 10.7 m.

*Maximum headroom