



Audi A5 Sportback



In an instant, form becomes fascination.

A brief moment. The blink of an eye. Sometimes that is as long as it takes to provoke enthusiasm. One glance at the Audi A5 Sportback is enough to sense that this is one of those moments. A coupé – completely re-interpreted. And a character which lets you discover that each moment is special from the very first metres.

The fuel consumption and CO₂ emissions figures can be found on page 46 onwards.





The horizontal lines of the rear bumper accentuate the decisiveness of the design, while the diffuser insert in a contrasting colour ensures increased dynamics. Slimline headlights and large air inlets give the front of your A5 its typically impressive appearance.

The fuel consumption and CO₂ emissions figures can be found on page 46 onwards.





What kind of vehicle is this Audi A5 Sportback? A coupé? An Avant? This vehicle does not fit into familiar categories. It defines a class of its own.

On the one hand, coupé: from the elongated bonnet to the rear, the design echoes the classic form of a two-door. The flat roof is stretched elegantly over the frameless doors and a sporty shoulder line accentuates the large wheels. Short overhangs and a longer wheelbase create additional dynamics.

On the other hand, Avant: the four doors already hint at the high level of functionality which awaits you inside the Audi A5 Sportback. The generous amount of space offers great comfort for four people, even on long journeys.

In all respects a vehicle which offers new perspectives. Whichever way you look at it.

The fuel consumption and CO₂ emissions figures can be found on page 46 onwards.





In an instant, driving becomes feeling.



quattro® with sports differential. The A5 Sportback steers even more directly and precisely into corners.

The Audi A5 Sportback does not just inspire feelings, it adapts itself to them as well. You can choose the driving characteristics yourself at any time with the optional Audi drive select and its three modes, auto, comfort and dynamic. The suspension, the optimised axle load distribution and the extremely precise steering give you rapid, clear feedback from the road at all times. Wide track and the long wheelbase also ensure superb grip and impart an excellent driving sensation.

The quattro® permanent all-wheel drive, available in conjunction with various engine models, sets standards in agility. The system transfers the driving force dynamically and asymmetrically to all four wheels in accordance with the situation. If even more agility is required, there is quattro with sports differential. The electronically controlled differential allows the wheels of the rear axle to accelerate individually. For excitingly precise cornering and outstanding traction.

The fuel consumption and CO₂ emissions figures can be found on page 46 onwards.





In an instant, attention to detail becomes passion for detail.



The cockpit has an extrovert, sporty design. The 3-spoke sports leather steering wheel is light and secure in your hand. The well thought-out details are convincing: cockpit and dashboard are single or two-tone according to the interior colour selected, the visual toning down of the passenger side bringing out the driver's area more strongly.

For the interior design, you have a choice from sophisticated leather and high-quality cloths in different colour variants and an exclusive processing quality.

There is an extraordinary amount of space in the back, too, which welcomes the passengers with two full-size seats. For relaxed travelling, even on long journeys.



You get into a coupé – and are amazed by the generous amount of space in the Audi A5 Sportback. Experience the dimensions and superb details of the interior, with its well thought-out design. Four full-size seats offer comfort and strong lateral support. Complex lines and clearly-structured surfaces blend harmoniously into a sporty architecture and lend the interior its exclusive expression. The cockpit is designed with the driver in mind; the controls are ergonomically arranged. The optional MMI navigation system plus has been enhanced. Its operation, via the new MMI button with integrated joystick, is completely intuitive. The MMI navigation plus has 3D map representation and the jukebox – a hard drive for organising your personal music files. The MMI navigation including DVD with navigation data is also available.

The generous luggage compartment, with 1,000 mm loading width, is as flexible as your leisure time plans. The asymmetrical rear bench seat can be split and folded to allow the loading volume to be extended quickly from 480 to 980 litres. The load-through facility therefore facilitates the stowing of longer objects, so that you can look forward to your next excursion in a relaxed manner.

The fuel consumption and CO₂ emissions figures can be found on page 46 onwards.



Wheels/tyres



Lightweight forged aluminium wheels, 6-arm design, size 7.5 J x 17 with 225/50 R 17 tyres



Cast aluminium wheels, 10-spoke V design, size 8.5 J x 18 with 245/40 R 18 tyres

Winter wheels



Lightweight forged aluminium winter wheels, 6-arm design¹, size 7.5 J x 17, with 225/50 R 17 tyres, permissible top speed 210 km/h, can be fitted with snow chains



Cast aluminium wheels, 7-arm design, size 7.5 J x 17 with 225/50 R 17 tyres



Cast aluminium wheels, 5-arm dynamic design, size 8.5 J x 18 with 245/40 R 18 tyres



Cast aluminium winter wheels, 10-spoke V design, size 8.5 J x 18 with 245/40 R 18 tyres, permissible top speed 240 km/h, cannot be fitted with snow chains



Cast aluminium wheels, 6-spoke parabola design¹, size 8 J x 17 with 245/45 R 17 tyres



Cast aluminium wheels, 5-arm Y design, size 8.5 J x 19 with 255/35 R 19 tyres

Audi exclusive wheels/tyres



Audi exclusive cast aluminium wheels, 5-spoke design, size 8.5 J x 18 with 245/40 R 18 tyres. From quattro GmbH



Audi exclusive cast aluminium wheels, 20-spoke design, two-piece, size 9 J x 19 with 255/35 R 19 tyres. From quattro GmbH



Audi exclusive cast aluminium wheels, 10-spoke design, size 8.5 J x 18 with 245/40 R 18 tyres. From quattro GmbH



Audi exclusive cast aluminium wheels, 7-double-spoke design, size 9 J x 20 with 265/30 R 20 tyres. From quattro GmbH



Audi exclusive cast aluminium wheels, 5-segment-spoke design, size 9 J x 19 with 255/35 R 19 tyres. From quattro GmbH

Please find out from your local Audi partner which equipment is standard and what optional equipment is available in your country.

¹Optionally available with tyres with run-flat tyres.

Model	A5 Sportback 2.0 TFSI quattro	A5 Sportback 3.2 FSI quattro	A5 Sportback 2.0 TDI with diesel particulate filter	A5 Sportback 2.7 TDI with diesel particulate filter
Engine type	4-cylinder inline petrol engine with direct fuel injection, exhaust gas turbocharging and Audi valvelift system	V6 petrol engine with direct fuel injection and Audi valvelift system	4-cylinder inline diesel engine with common rail injection system and exhaust-gas turbocharger	V6 diesel engine with common rail injection system and exhaust gas turbocharging
Displacement in cc (valves per cylinder)	1984 (4)	3197 (4)	1968 (4)	2698 (4)
Max. output¹ in kW at rpm	155/4300–6000	195/6500	125/4200	140/3500–4400
Max. torque in Nm at rpm	350/1500–4200	330/3000–5000	350/1750–2500	400/1400–3250

Power transmission/wheels

Type of drive	quattro® permanent all-wheel drive	quattro® permanent all-wheel drive	Front-wheel drive	Front-wheel drive
Transmission	[S tronic]	[S tronic]	6-speed manual transmission	6-speed manual transmission
Wheels	Lightweight forged aluminium wheels, 7.5 J x 17	Lightweight forged aluminium wheels, 7.5 J x 17	Lightweight forged aluminium wheels, 7.5 J x 17	Lightweight forged aluminium wheels, 7.5 J x 17
Tyres	225/50 R 17	225/50 R 17	225/50 R 17	225/50 R 17

Weights/capacities

Unladen weight² in kg	[1615]	[1650]	1530	1620
Gross vehicle weight in kg	[2145]	[2180]	2060	2150
Roof load/trailer nose weight in kg	90/80	90/80	90/80	90/80
Trailer load limit ³ in kg	unbraked	[750]	750	750
	12% gradient	[1700]	1600	1600
	8% gradient	[1900]	1800	1800
Fuel tank capacity, approx. in l	[64]	[64]	65	65

Performance/consumption⁴

Top speed in km/h	[241]	[250] ⁷	228	235
Acceleration 0–100 km/h in s	[6.6]	[6.6]	8.7	8.2
Fuel grade	Super unleaded 95 RON ⁵	Super unleaded 95 RON ⁵	Diesel in accordance with EN 590	Diesel in accordance with EN 590
Fuel consumption⁶ in l/100 km	urban	[9.3]	6.5	8.1
	extra-urban	[6.3]	4.5	4.8
	combined	[7.4]	5.2	6.0
CO₂ emissions⁶ in g/km	urban	[216]	170	211
	extra-urban	[146]	117	128
	combined	[172]	137	159
Emissions standard	EU 5	EU 5	EU 5	EU 5

[] Data for S tronic.

Model	A5 Sportback 3.0 TDI quattro with diesel particulate filter
Engine type	V6 diesel engine with common rail injection system and exhaust gas turbocharging
Displacement in cc (valves per cylinder)	2967 (4)
Max. output¹ in kW at rpm	176/4000–4400
Max. torque in Nm at rpm	500/1500–3000

Power transmission/wheels

Type of drive	quattro® permanent all-wheel drive
Transmission	[S tronic]
Wheels	Lightweight forged aluminium wheels 7.5 J x 17
Tyres	225/50 R 17

Weights/capacities

Unladen weight² in kg	[1720]	
Gross vehicle weight in kg	[2250]	
Roof load/trailer nose weight in kg	90/80	
Trailer load limit ³ in kg	unbraked	[750]
	12% gradient	[1900]
	8% gradient	[2100]
Fuel tank capacity, approx. in l	64	

Performance/consumption⁴

Top speed in km/h	[250] ⁷	
Acceleration 0–100 km/h in s	[6.1]	
Fuel grade	Diesel in accordance with EN 590	
Fuel consumption⁶ in l/100 km	urban	[8.3]
	extra-urban	[5.7]
	combined	[6.6]
CO₂ emissions⁶ in g/km	urban	[216]
	extra-urban	[149]
	combined	[174]
Emissions standard	EU 5	

[] Data for S tronic.

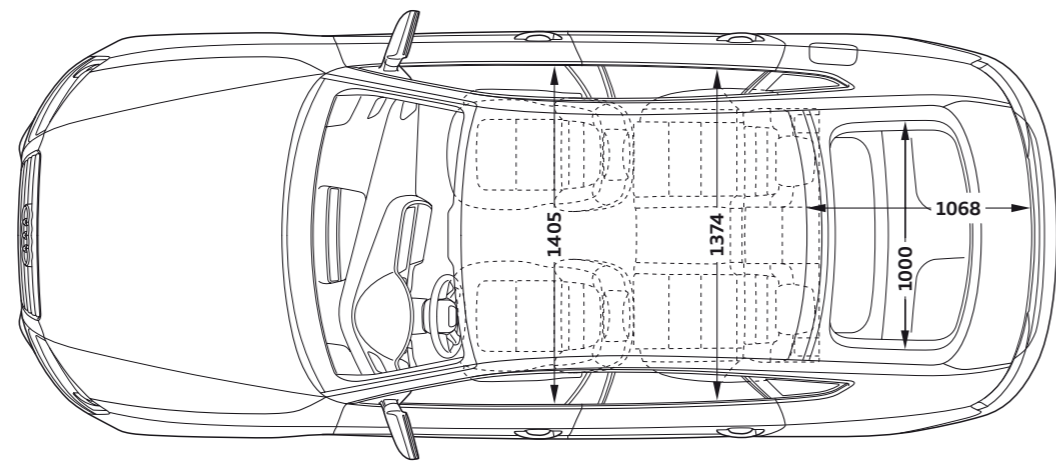
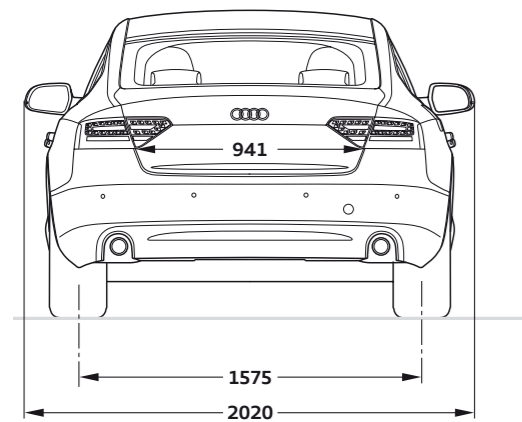
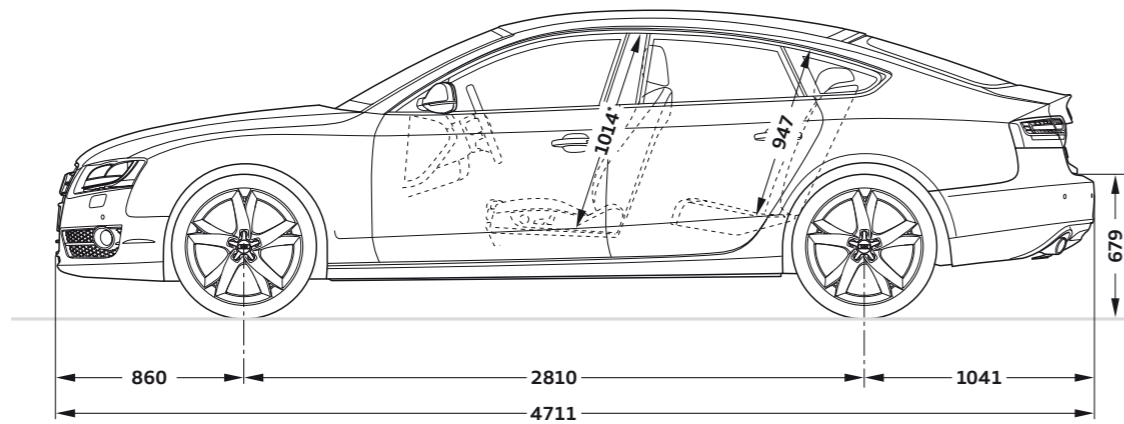
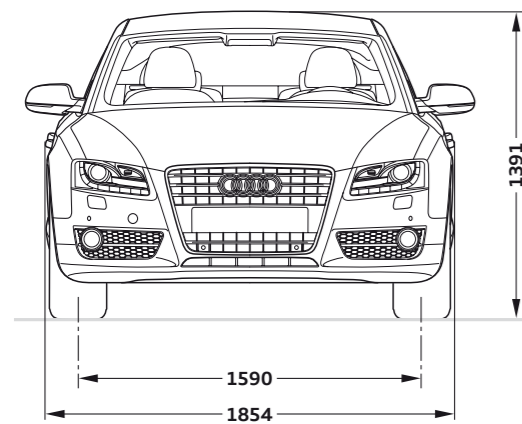
Notes

- The figure stated was calculated using the specified measuring procedure (current version of Directive 80/1269/EEC).
- Weight of car, unladen, with fuel tank filled to 90% without driver (75 kg), calculated in accordance with EC Directive 92/21/EEC. Optional equipment may increase the car’s unladen weight and drag coefficient, whereupon the possible payload limit and the top speed will be reduced accordingly.
- The engine’s power output always goes down with increasing altitude. At 1,000 m above sea level, and for every additional 1,000 m, deduct 10 % from the weight of the outfit (trailer load limit + gross weight of the towing vehicle). Figure for trailer load limit applies to factory-fitted trailer towing hitch. If using the vehicle with a trailer towing hitch for commercial purposes, a digital tachograph may be required under certain conditions.
- A vehicle’s fuel consumption and CO₂ emissions do not just depend on how efficiently the vehicle uses the fuel, but are also influenced by driving behaviour and other non-technical factors. CO₂ is the greenhouse gas primarily responsible for global warming.
- We recommend using Super unleaded (95 RON). If this is not available, use regular unleaded (91 RON); power output will be slightly reduced.
- The figures given were calculated using the specified measuring procedures. The figures do not refer to one individual vehicle and do not form part of any offer, but rather should be used purely for purposes of comparison between the different vehicle models.
- Regulated.

Important note

Inspections are due as shown by the service display.

Audi A5 Sportback



Dimensions in millimetres.
 Dimensions were measured with vehicle at unladen weight, ground clearance measured with vehicle carrying its maximum load. Luggage compartment volume 480/980 litres (measured by the VDA method, using 200 x 100 x 50mm blocks; second value with rear seat back folded down and vehicle loaded up to the rear parcel shelf). Turning circle approx. 11.5 m.

*Maximum headroom.

Vorsprung durch Technik www.audi.com

The models and equipment versions illustrated and described in this brochure and some of the services listed are not available in all countries. Some of the cars illustrated are equipped with optional equipment for which an extra charge is made. Details concerning the delivery specifications, appearance, performance, dimensions and weights, fuel consumption and running costs of the vehicle were correct to the best of our knowledge at the time of going to press. Deviations from the colours and shapes shown in the illustrations may occur. No liability is accepted for errors and printing errors. The right to introduce modifications is reserved. Not to be reproduced, including in part, without the written approval of AUDI AG.

This brochure is printed on paper made from pulp bleached without the use of chlorine.

AUDI AG
85045 Ingolstadt
www.audi.com
Valid from May 2009

Printed in Germany
933/1100.59.18