

Vorsprung durch Technik www.audi.com

The models and equipment versions illustrated and described in this brochure and some of the services listed are not available in all countries. Some of the cars illustrated are equipped with optional equipment for which an extra charge is made. Details concerning the delivery specifications, appearance, performance, dimensions and weights, fuel consumption and running costs of the vehicle were correct to the best of our knowledge at the time of going to press. Deviations from the colours and shapes shown in the illustrations may occur. No liability is accepted for errors and printing errors. The right to introduce modifications is reserved. Not to be reproduced, including in part, without the written approval of AUDI AG.

This brochure is printed on paper made from pulp bleached without the use of chlorine.

AUDI AG
85045 Ingolstadt
www.audi.com
Valid from August 2008

Printed in Germany
833/1105.80.18



Audi A8 12-cylinder



Audi A8 12-cylinder

**The Audi A8 12-cylinder –
one personality, two characters.**

The Audi A8 12-cylinder. In the sports version A8 W12 quattro or the exclusive comfort version A8 L W12 quattro that is 13 centimetres longer. Both of them fascinating cars in their own unique way.



No compromises are made in this car.

Because compromises always mean sacrificing the best alternative.

An outstanding engine, outstanding equipment, an outstanding chassis – so it just wouldn't be right to choose anything but outstanding suspension and an outstanding driveline for the Audi A8 12-cylinder. The A8 12-cylinder therefore features a suspension that adapts to your requirements like the driveline adapts to the road conditions: adaptive air suspension combined with the quattro® permanent all-wheel drive. adaptive air suspension is an electronically controlled air suspension system on all four wheels, coupled with an infinitely adaptive damping system. Comfort exactly the way you want it, without sacrificing sporty driving.

The quattro® permanent all-wheel drive distributes the engine's power to the front and rear wheels variably, depending on traction. In this way, the engine's power is applied to the road effectively and you make safer progress – not just in poor weather and road conditions.

The Audi ceramic brake system is available as an optional extra, so that the Audi A8 12-cylinder's power can be harnessed more decisively than ever before if and when the occasion arises. Anthracite-coloured caliper brakes bite into the ventilated and carbon fibre-reinforced 19-inch ceramic brake discs and decelerate the Audi A8 12-cylinder just as spectacularly as it accelerates. Yet another outstanding solution.



**An excellent ride is guaranteed in the Audi A8 12-cylinder –
whether you are sitting at the front left or the back right.**





It is not the road that makes the difference,
but the car you are sitting in.



Audi exclusive –
personally yours.



Make statements with colours and surfaces. Audi exclusive gives you the opportunity to equip your A8 12-cylinder exactly the way you want it to be. Choose your favourite colour from a wide range of fine woods and superb leather finishes. You can have the decorative seams of the seats, the carpets or the headlining made in the colour you want too – there is no need for you to curb your imagination. Create your own world.

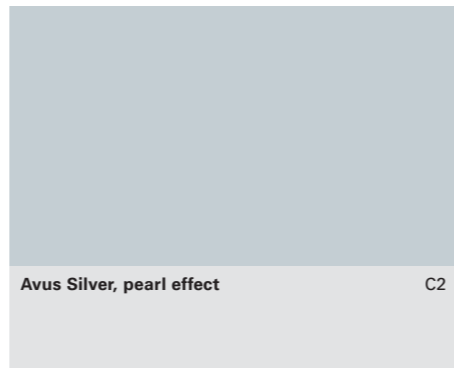
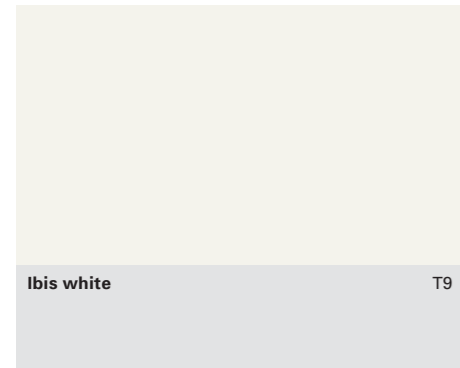
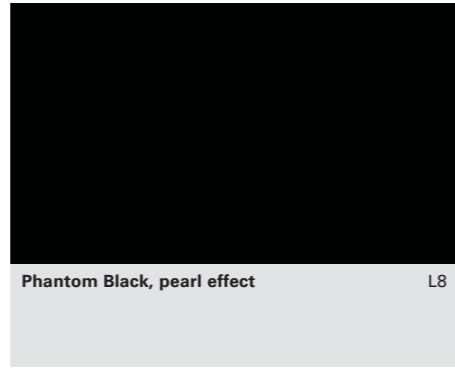
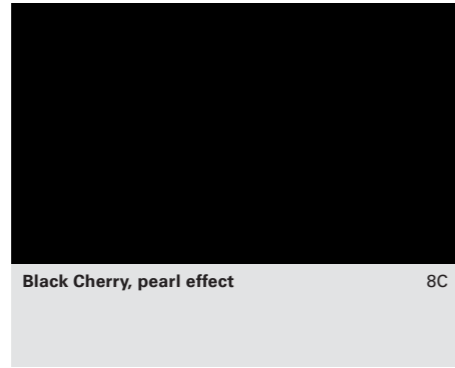
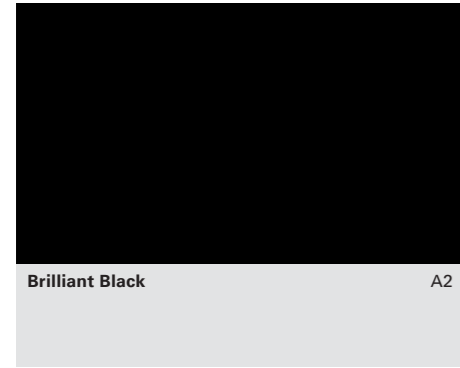


Superior workmanship. The love of details is what characterises Audi exclusive. We use only high-quality leather and make sure that our woods have an excellent grain. This means you can enhance every detail in the interior of your A8 12-cylinder – covers, handles, trims, controls.

The Rear Seat Entertainment System also belongs to the multi-media equipment. DVDs and TV can be played on two monitors in the front seat headrests. Connection of external sources is also possible.

For additional comfort in the rear, we offer an illuminated coolbox, which is integrated into the rear seats. It provides space for 2 1-litre bottles and has an additional storage compartment for glasses or cans.

Paints



Leather upholstery deluxe



Valcona leather, black¹ NK



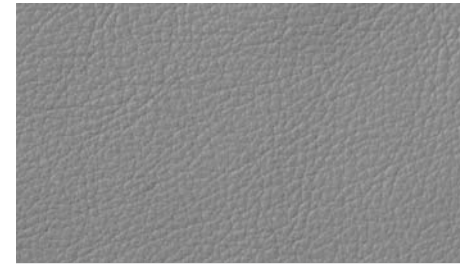
Valcona leather, paranut brown¹ DJ



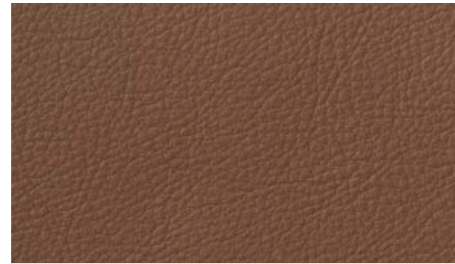
Natural leather, black¹ NK



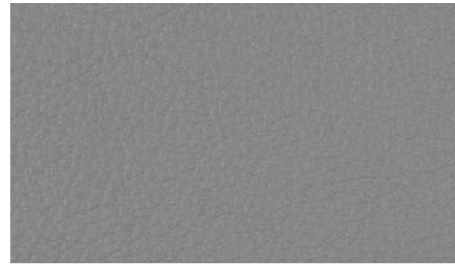
Satin Nappa leather, black NK



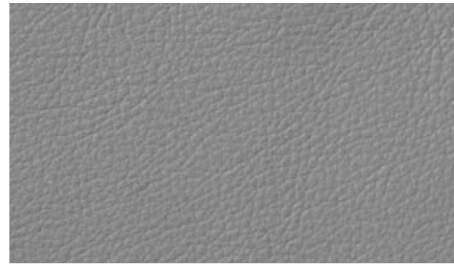
Valcona leather, light grey¹ DE



Valcona leather, amaretto brown¹ LR



Natural leather, light grey¹ DE



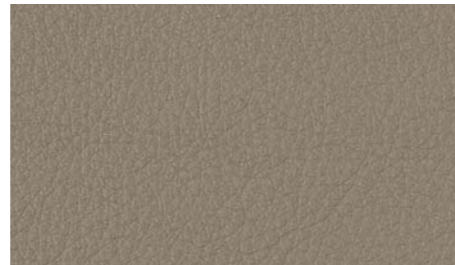
Satin Nappa leather, light grey DE



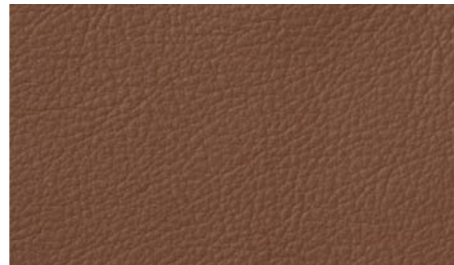
Valcona leather, cardamom beige¹ DF/DG



Valcona leather, linen beige¹ DH



Natural leather, cardamom beige¹ DF/DG



Satin Nappa leather, amaretto brown LR

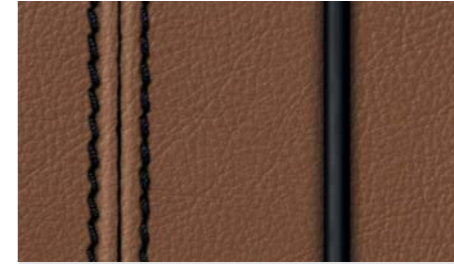
Leather upholstery deluxe with coloured piping and seams



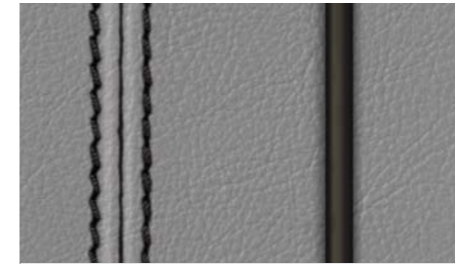
Valcona leather, paranut brown with piping and seams in black¹ DV



Valcona leather, black with piping and seams in amaretto brown¹ DS



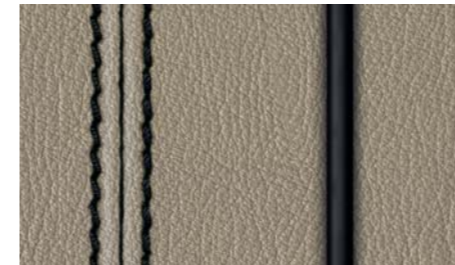
Valcona leather, amaretto brown with piping and seams in black¹ DU



Valcona leather, light grey with piping and seams in paranut brown¹ DW



Valcona leather, linen beige with piping and seams in tan beige¹ EZ



Valcona leather, cardamom beige with piping and seams in black¹ DX



Valcona leather, cardamom beige with piping and seams in tan beige¹ DY



Audi exclusive
Audi exclusive leather trim, individual choice of colour for leather/piping/seams. From quattro GmbH

Note:
¹ If seat air conditioning is fitted, the Valcona leather or Natural leather on the seat centre panel is perforated.

Wheels/tyres



Cast aluminium wheels, in 5-spoke design, size 8.5 J x 19 with 255/40 R 19 tyres



Forged aluminium wheels, in 12-spoke design, polished, two-tone, size 8.5 J x 18 with 255/45 R 18 tyre



Audi exclusive cast aluminium wheels, in 5-arm design, size 9 J x 19 with 255/40 R 19 tyres. From quattro GmbH



Audi exclusive forged aluminium wheels, in 9-spoke design¹, polished, two-tone, size 9 J x 20 with 275/35 R 20 tyres. From quattro GmbH



Winter wheels, in 10-arm design, size 7.5 J x 18 with 235/50 R 18 tyres, permissible top speed 240 km/h, can be fitted with snow chains



Standard spare wheel, same design as selected wheels



Cast aluminium wheels, in 10-spoke design, size 8.5 J x 18 with 255/45 R 18 tyres



Forged aluminium wheels, in 12-spoke design, polished, two-tone, size 8.5 J x 19 with 255/40 R 19 tyres



Audi exclusive cast aluminium wheels, 20-spoke design, two-piece design, size 9 J x 19 with 255/40 R 19 tyres. From quattro GmbH



Audi exclusive forged aluminium wheels, in 7-double-spoke design¹, polished, two-tone, size 9 J x 20 with 275/35 R 20 tyres. From quattro GmbH



Winter wheels, in 16-spoke design, size 8 J x 19 with 235/45 R 19 tyres, permissible top speed 210 km/h, can be fitted with snow chains



Forged aluminium wheels, in 12-spoke design, high-gloss polished finish, single colour, size 8.5 J x 19 with 255/40 R 19 tyres



Audi exclusive forged aluminium wheels, in 9-spoke design¹, high-gloss polished finish, single colour, size 9 J x 20 with 275/35 R 20 tyres. From quattro GmbH

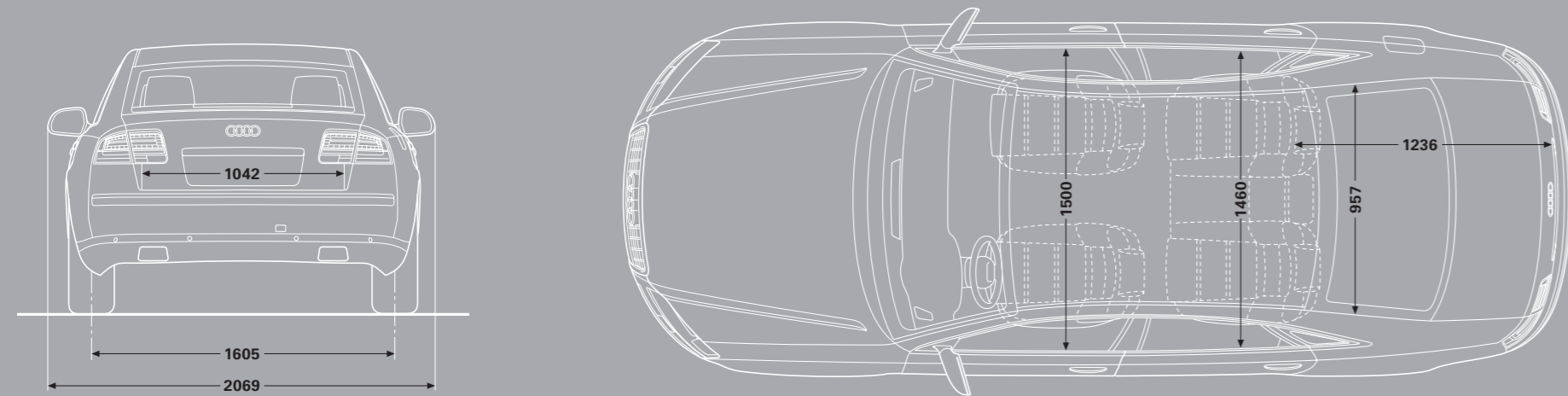
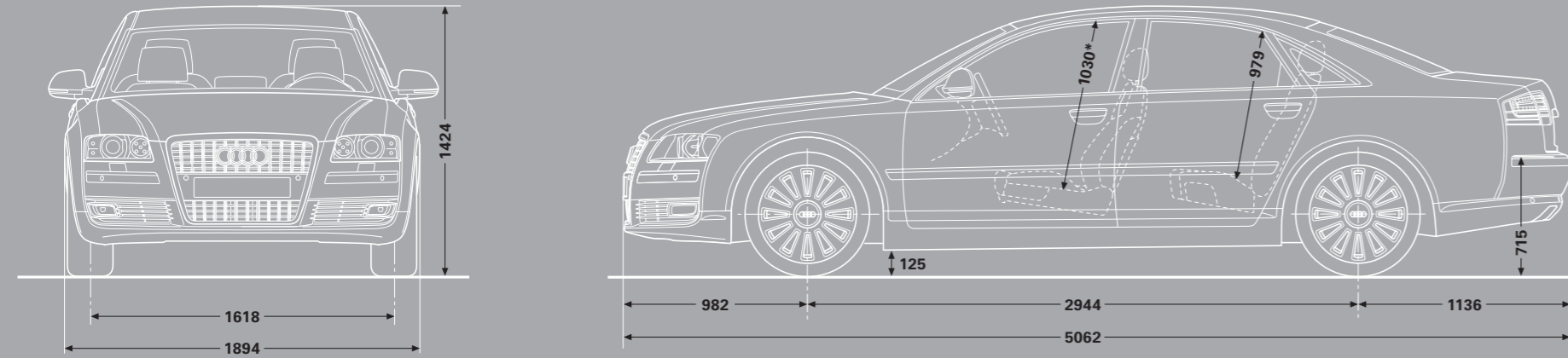


Audi exclusive forged aluminium wheels, in 7-double-spoke design¹, high-gloss polished finish, single colour, size 9 J x 20 with 275/35 R 20 tyres. From quattro GmbH



Winter wheels, in 12-spoke design, polished, two-tone, size 8.5 J x 19 with 255/40 R 19 tyres, permissible top speed 240 km/h, cannot be fitted with snow chains

Audi A8 W12 quattro

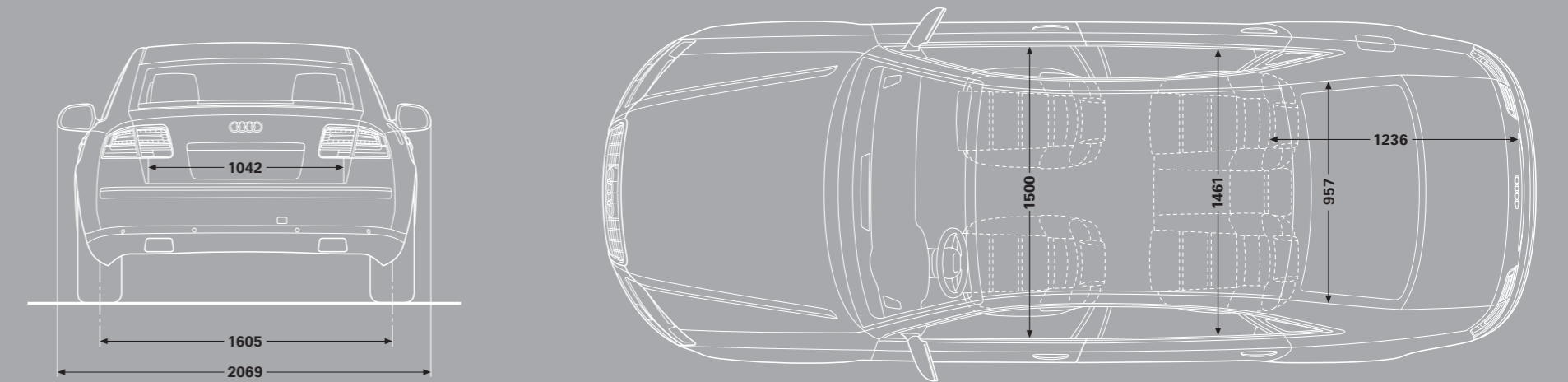
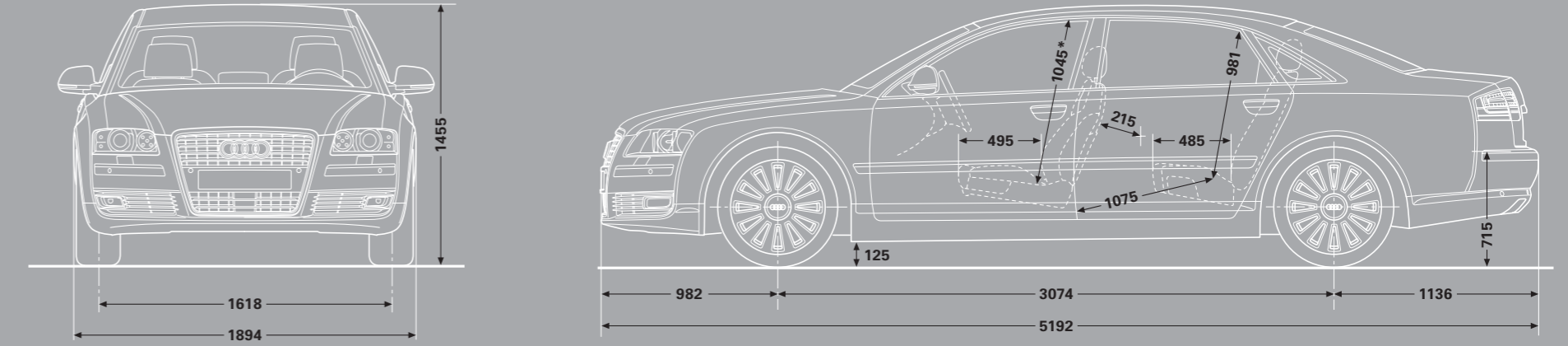


Dimensions in millimetres.

Dimensions were measured with vehicle at unladen weight, ground clearance measured with vehicle carrying its maximum load. Luggage compartment volume in l: 500 (measured by the VDA standard test method using 200 x 100 x 50 mm blocks). Turning circle approx 12.1 m

*Maximum headroom.

Audi A8 L W12 quattro



Dimensions in millimetres.

Dimensions measured with vehicle at unladen weight, ground clearance measured with vehicle at its maximum load. Luggage compartment volume in l: 500 (measured by the VDA standard test method using 200 x 100 x 50 mm blocks) Turning circle approx 12.7 m

*Maximum headroom.