

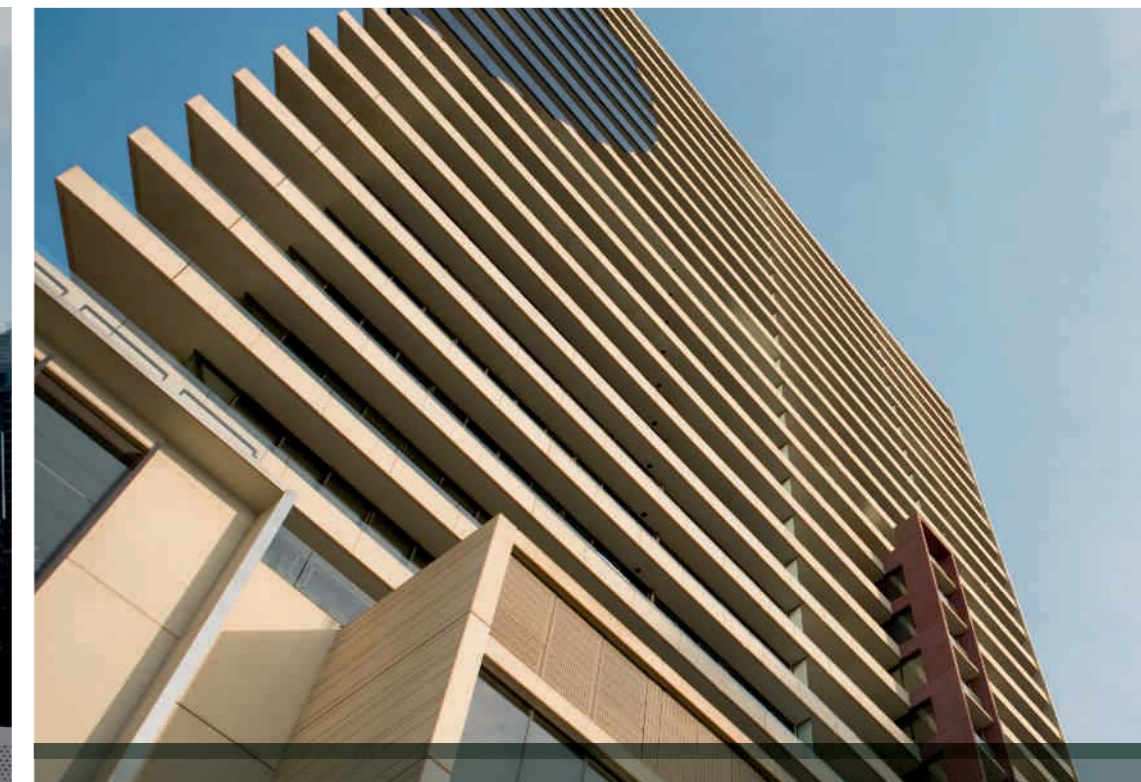


**Audi**

**Audi Q5**







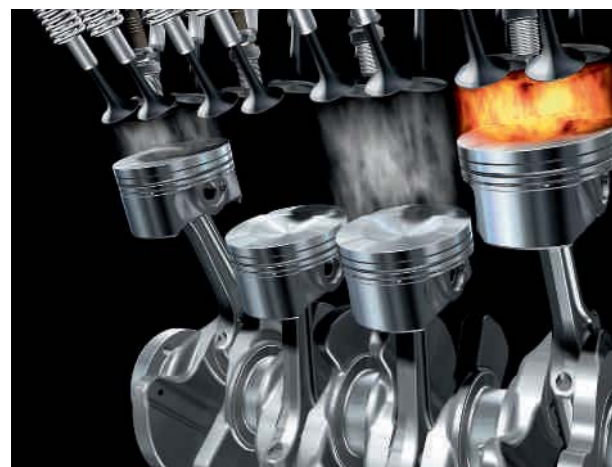
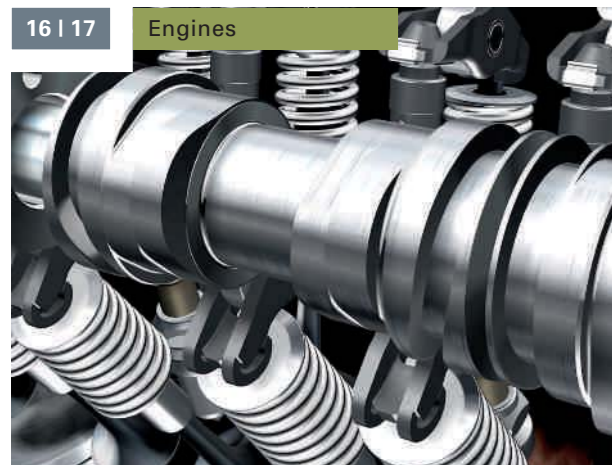
Clear lines, smooth surfaces, the characteristic Audi face with the singleframe radiator grille – the Audi Q5 radiates both sportiness and elegance. And its appearance indicates presence: with a length of 4,629 mm and a width of 1,880 mm, it immediately draws attention. Yet it still has one of the best drag coefficients in its class, which it owes among other things to its coupé-type roof line. And its power is immediately perceivable: the optional 20-inch cast aluminium wheels flash out from underneath the widened wheel arches.





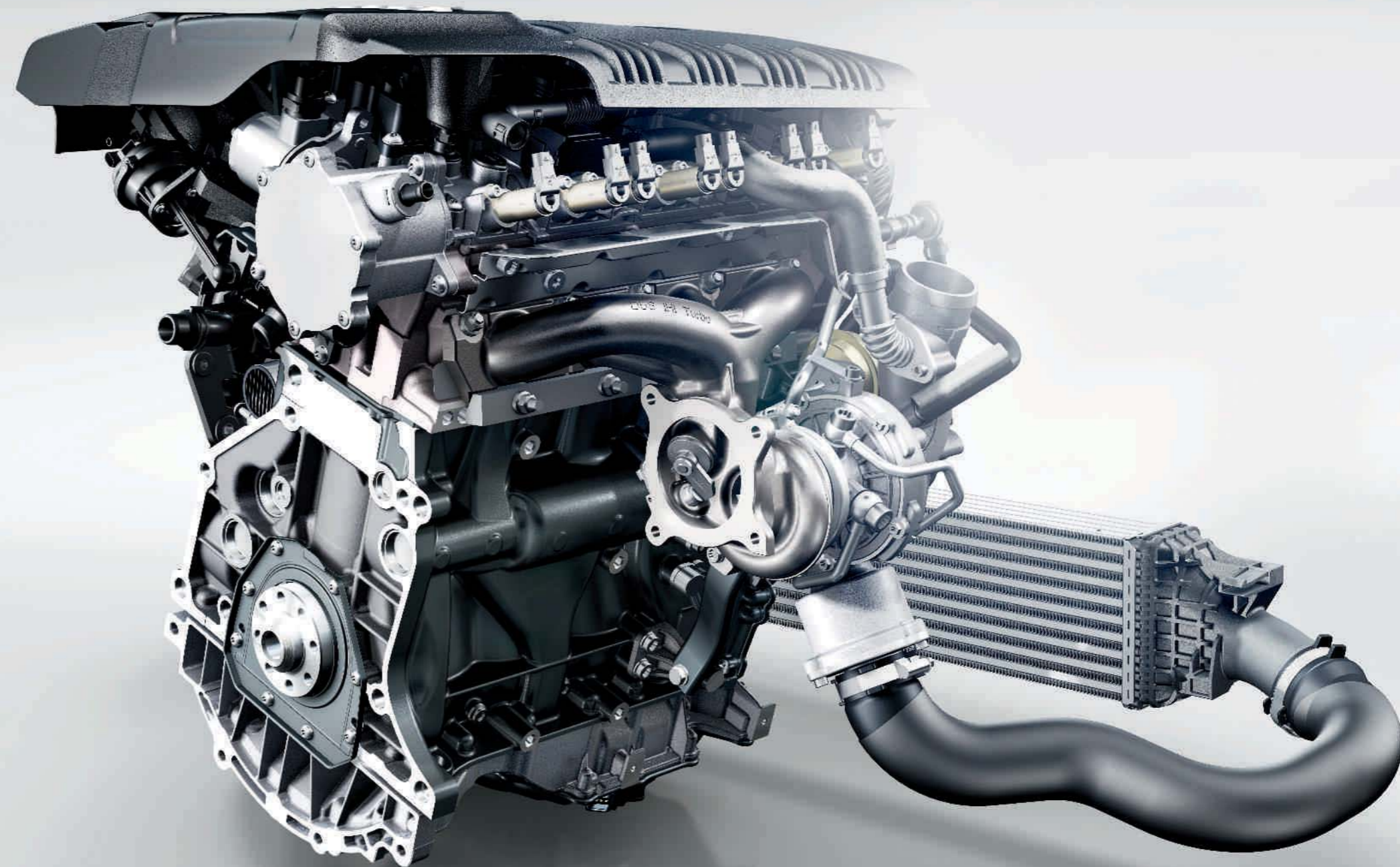
Numerous intelligent details show just how well-conceived the new Audi Q5 is: the electrically adjustable exterior mirrors have integrated LED indicators, the lever-type door handles make opening easier and are painted in the vehicle body colour. The optional Xenon plus headlights are equipped with bright LED daytime running lights, which are more economic and durable than conventional bulbs due to their dimmable LED elements. The Xenon plus headlights are also available equipped with adaptive light, offering improved illumination when cornering.

RIGHT



A new way of driving: sporty, comfortable and with agreeable consumption values. The petrol engine\* in the new Audi Q5 is equipped with the Audi valvelift valve timing system, which reduces fuel consumption. And with TFSI®: This means that the engine\* combines the advantages of FSI® with those of an exhaust-gas turbocharger. This combination of FSI® concept and turbocharger not only enables excellent efficiency and dynamics, but also improves engine power. You will notice it as soon as you accelerate the 2.0 TFSI engine\* with 155 kW. When fitted with S tronic, it takes you from 0 to 100 km/h in 7.2 seconds. Have fun on the road!

\*Fuel consumption and CO<sub>2</sub> emissions figures can be found on page 73.



Sporty driving.  
Flexible driving.  
**Discovering new potential.**

The latest generation of ESP provides intelligent technical support: this vehicle stabilisation system is, of course, standard. A new sensor system recognises whether you have attached the standard roof crossmembers. The system then adapts to the higher centre of gravity caused by the load. Just as intelligent: servotronic (standard on 155 kW versions and above). This special power steering system is speed sensitive, meaning that you receive more support when driving slowly, e.g. when manoeuvring, than when driving fast. This enables more exact and targeted control. ABS with traction improvement recognises when you are driving offroad and optimises functions accordingly. And at the press of a button you can adjust the ESP support to offroad operation. ASR then ensures better grip, even on debris or gravel. The standard downhill drive assist function helps to maintain the speed set by the driver during steep downhill driving. And the trailer stabilisation system helps to avoid trailer swinging as a result of side winds or in the event of grooves in the road.





Driving an SUV\* should feel sporty and agile. The suspension, with its five-link front axle and trapezoidal-link rear axle, provide such a ride in the Audi Q5. Both elements enable a fast power build-up and ensure excellent driving stability, a comfortable ride and extremely firm grip.


The quattro® permanent all-wheel drive supports you when cornering, on snow or wet roads and during offroad driving. quattro® distributes the driving force to both axles as required – in the basic setting 40% to the front axle and 60% to the rear one. This provides extremely good traction and more safety. The S tronic, installed in several models, ensures comfortable yet sporty gear shifting. Due to the dual clutch transmission, the next gear is already engaged before you select it. Thus you can change gear without any perceptible break in propulsive power – between seven gears, but still save fuel.

\*Fuel consumption and CO<sub>2</sub> emissions figures can be found on page 73.

Let go of everyday affairs.  
Keep in control.  
**Set new priorities.**








Each route is different, many of them are challenging. It's good to be prepared for unexpected situations. Numerous technical innovations await you in the new Audi Q5, helping to bring you to your destination more safely.

Available on request: the Audi parking system plus, which optically and acoustically signals the front and rear clearance on the display. If you wish you can make use of the camera support function of the Audi parking system advanced.

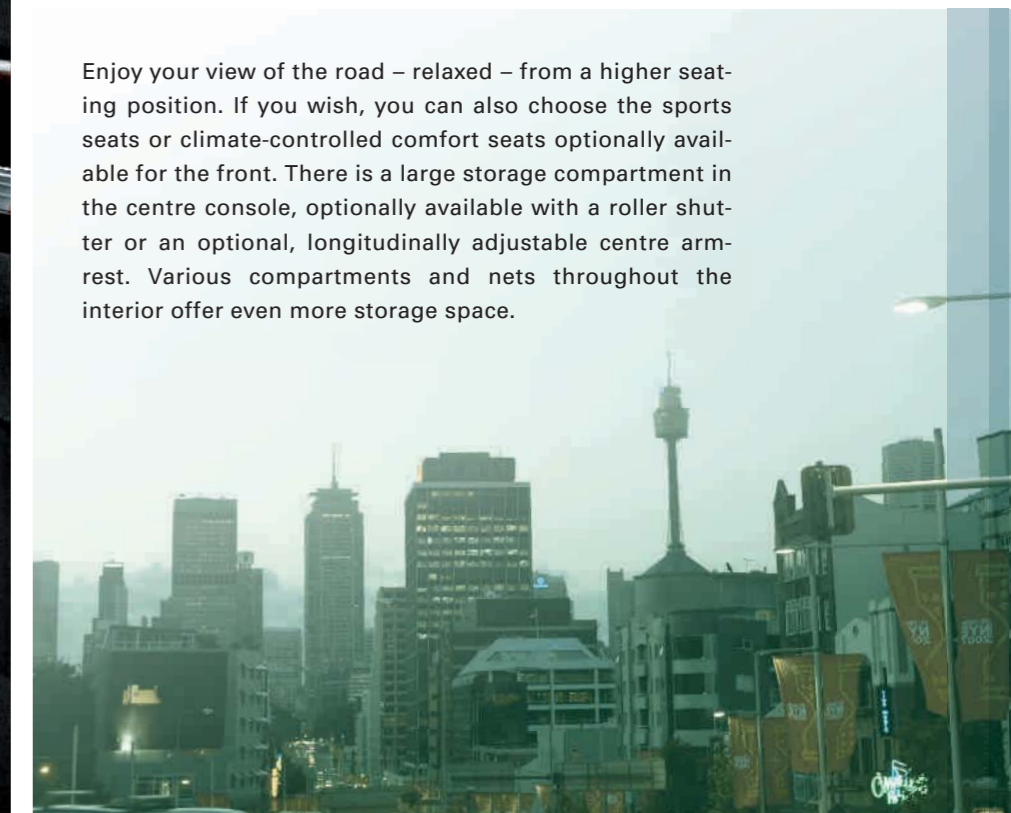
The optional adaptive cruise control regulates the distance to the vehicle driving ahead. The integrated braking guard observes the surrounding area and warns the driver of a collision hazard by means of optical and acoustic signals and if necessary also by means of brief braking.

Two other assistance systems you can equip your Audi Q5 with: Audi side assist and Audi lane assist. The Audi side assist lane change assistant supports the driver when changing lanes. The system monitors the area to the side behind the driving vehicle and informs you via a signal in the exterior mirror as soon as the system detects another vehicle in the adjacent lane. Working at vehicle speeds of approx. 60 km/h and above, the Audi lane assist lane departure warning system lets the driver know if he has unintentionally left the traffic lane. If the system is activated and the driver has not indicated, the driver will be notified via steering wheel vibrations shortly before or while crossing the traffic lane marker recognised by Audi lane assist.





Enjoy your view of the road – relaxed – from a higher seating position. If you wish, you can also choose the sports seats or climate-controlled comfort seats optionally available for the front. There is a large storage compartment in the centre console, optionally available with a roller shutter or an optional, longitudinally adjustable centre armrest. Various compartments and nets throughout the interior offer even more storage space.



The generous loading capacity of 540 l can accommodate almost everything you need for a relaxing holiday, an extensive shopping spree or a spontaneous weekend trip. The low loading height of just 693 mm makes loading really easy. A loading width of 1,050 mm adds to the convenience. Under the loading floor there is an additional storage compartment, which can be equipped with a tray upon request. The optional rear bench seat plus with its load-through facility and the rear seats, which are longitudinally adjustable by 100 mm, again increase the loading space volume.



## Wheels/tyres



**Lightweight forged aluminium wheels, 7-spoke design,**  
size 8 J x 17 with 235/65 R 17 tyres



**Cast aluminium wheels, 6-spoke parabola design,**  
size 8 J x 18 with 235/60 R 18 tyres



**Cast aluminium wheels, 5-arm design,**  
polished, size 8 J x 19 with 235/55 R 19 tyres



**Audi exclusive cast aluminium wheels, 5-arm offroad design,**  
size 8 J x 19 with 235/55 R 19 tyres, including wheel arch strips. From quattro GmbH



**Audi exclusive cast aluminium wheels, 7-double-spoke design,**  
size 8.5 J x 20 with 255/45 R 20 tyres, including wheel arch strips. From quattro GmbH



**Lightweight forged aluminium winter wheels, 7-spoke design,**  
size 7 J x 17 with 235/65 R 17 H tyres, can be fitted with snow chains, permissible top speed 210 km/h



**Cast aluminium wheels, 6-arm design,**  
size 8 J x 17 with 235/65 R 17 tyres



**Cast aluminium wheels, 10-spoke V design,**  
size 8 J x 18 with 235/60 R 18 tyres



**Cast aluminium wheels, 10-spoke design,**  
size 8 J x 19 with 235/55 R 19 tyres



**Audi exclusive cast aluminium wheels, 5-spoke design,**  
size 8 J x 19 with 235/55 R 19 tyres. From quattro GmbH



**Audi exclusive cast aluminium wheels, 20-spoke design,** two-piece,  
size 8.5 J x 20 with 255/45 R 20 tyres, including wheel arch strips. From quattro GmbH



**Cast aluminium winter wheels, 5-arm design,**  
size 8.5 J x 20 with 255/45 R 20 tyres, cannot be fitted with snow chains, including wheel arch strips, permissible top speed 240 km/h



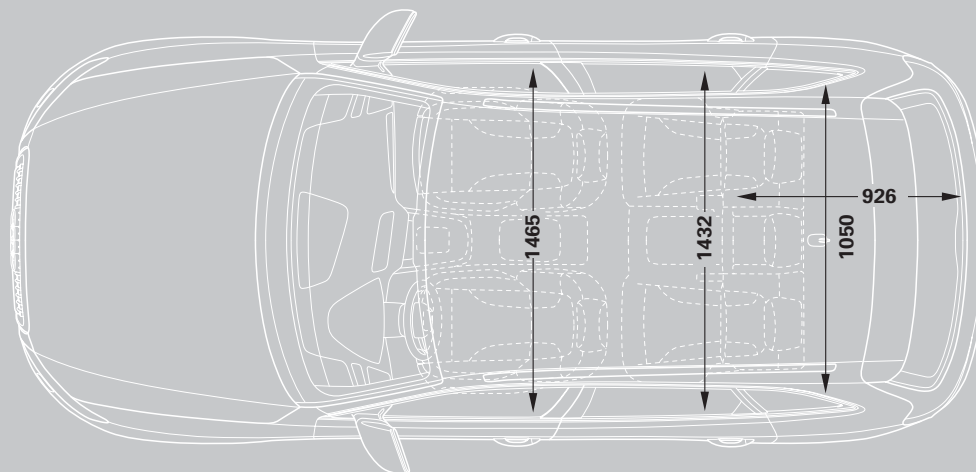
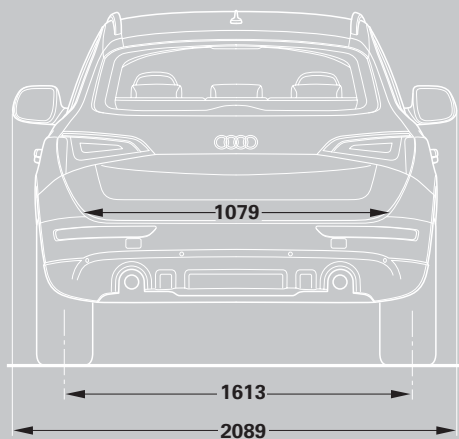
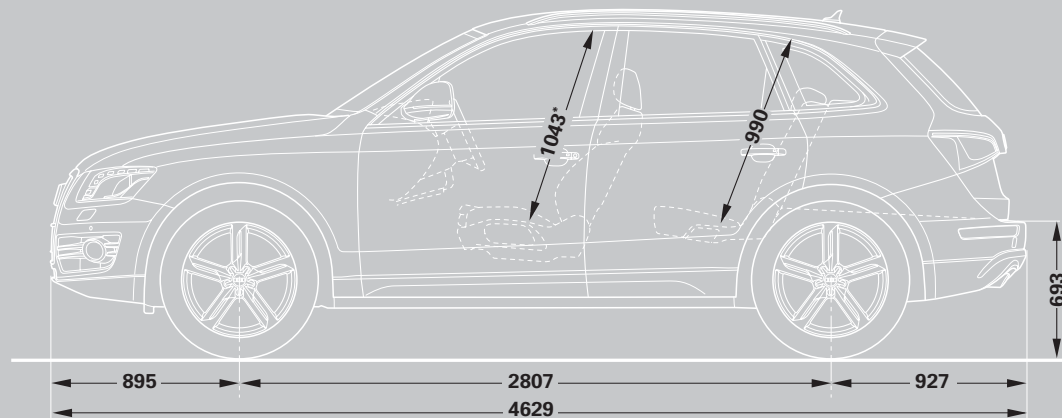
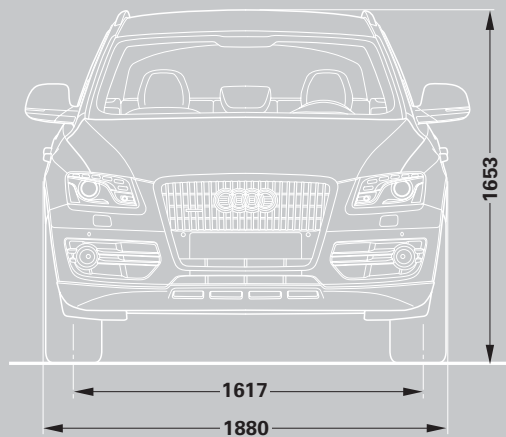
**Cast aluminium wheels, 5-arm design,**  
size 8.5 J x 20 with 255/45 R 20 tyres, including wheel arch strips



**Audi exclusive cast aluminium wheels, 5-double-spoke offroad design,**  
size 8.5 J x 20 with 255/45 R 20 tyres, including wheel arch strips. From quattro GmbH

Model	Audi Q5 2.0 TFSI quattro	Audi Q5 2.0 TDI quattro with diesel particulate filter	Audi Q5 3.0 TDI quattro with diesel particulate filter
Engine type	4-cylinder in-line petrol engine with exhaust gas turbocharging and charge air cooling, DOHC	4-cylinder in-line diesel engine with VTG exhaust gas turbocharger, DOHC, TDI direct injection	V6 diesel engine with VTG exhaust gas turbocharging, DOHC, TDI direct injection
Displacement in cc (valves per cylinder)	1984 (4)	1968 (4)	2967 (4)
Max. output <sup>1</sup> in kW at rpm	155/4300–6000	125/4200	176/4000–4400
Max. torque in Nm at rpm	350/1500–4200	350/1750–2500	500/1500–3000
<b>Power transmission/wheels</b>			
Type of drive	quattro® permanent all-wheel drive	quattro® permanent all-wheel drive	quattro® permanent all-wheel drive
Transmission	7-speed dual clutch transmission [S tronic]	6-speed manual transmission	7-speed dual clutch transmission [S tronic]
Wheels	Lightweight forged aluminium wheels 8 J x 17	Lightweight forged aluminium wheels 8 J x 17	Lightweight forged aluminium wheels 8 J x 17
Tyres	235/65 R 17	235/65 R 17	235/65 R 17
<b>Weights/capacities</b>			
Unladen weight <sup>2</sup> in kg	1740	1730	1865
Gross vehicle weight in kg	2320	2310	2445
Roof load/trailer nose weight in kg	100/80	100/80	100/80
Trailer load limit <sup>3</sup> in kg	unbraked	750	750
	12% gradient	2000	2000
	8% gradient	2400	2400
Fuel tank capacity, approx. in l	75	75	75
<b>Performance/consumption<sup>4</sup></b>			
Top speed in km/h	222	204	225
Acceleration 0–100 km/h in s	7.2	9.5	6.5
Fuel grade	Super unleaded 95 RON <sup>5</sup>	Diesel in accordance with EN 590	Diesel in accordance with EN 590
Fuel consumption <sup>6</sup> in l/100 km	urban	10.4	9.2
	extra-urban	7.3	6.6
	combined	8.5	7.5
CO <sub>2</sub> emissions <sup>5</sup> in g/km	urban	242	242
	extra-urban	171	174
	combined	197	199
Emissions standard	EU 4	EU 4	EU 4

## Audi Q5



### Dimensions in millimetres.

Dimensions are for vehicle at unladen weight.

Luggage compartment volume 540/1,560 l (measured by the VDA method, using 200 x 100 x 50 mm blocks; second value with rear seat back folded down and vehicle loaded up to roof height).

Turning circle approx. 11.6 m

\*Maximum headroom.

The models and equipment versions illustrated and described in this brochure and some services listed are not available in all countries. Some of the cars illustrated are equipped with optional equipment for which an extra charge is made. Details concerning the delivery specifications, appearance, performance, dimensions and weights, fuel consumption and running costs of the vehicle were correct to the best of our knowledge at the time of going to press. There may be some variations between the Australian vehicle specifications and those manufactured for other markets. Please speak to your Audi Dealer should you have any questions. Deviations from the colours and shapes shown in the illustrations may occur. No liability is accepted for errors and printing errors. The right to introduce modifications is reserved. Not to be reproduced, including in part, without the written approval of Audi AG.

Valid from July 2008

Printed in Germany