



Audi

TTT**S**







Getting on board turns to **emotion.**











The Audi TTS is very well equipped for tackling challenging routes. Take the quattro® permanent all-wheel drive, for example. It enhances the car's handling characteristics by distributing the driving force intelligently to all four wheels, thereby increasing traction. The usual quattro® drivetrain has been strengthened for the TTS so that all that torque can be transferred to the road and you can accelerate in a more controlled, sportier fashion. The TTS also comes as standard with the two-stage ESP which features a sport mode.

The newly configured standard-fitted Audi magnet ride lowers the car's ride height by 10 millimetres, and adapts to changes in driving situations in a matter of milliseconds. The result is an incomparable combination of even better handling and enhanced comfort. The Audi Space Frame ASF is made from aluminium and steel to produce an extremely lightweight vehicle whilst at the same time offering an extremely high degree of body stiffness for precision handling. The intense driving sensation you get with the TTS can also be experienced, if desired, in combination with the S tronic dual-clutch gearbox. S tronic changes gear with virtually no interruption in power flow and facilitates a motorsport-like gearshift experience thanks to the paddle switches on the steering wheel. But no matter how you choose to equip your Audi TTS – every route you take will suddenly feel that much more exciting.

The fuel consumption and CO<sub>2</sub> emissions figures can be found on page 48.

Cornering turns to

**passion.**









Details turn to a beating heart. The bi-xenon headlights with integral LED daytime running lights let you see better and give your TTS an unmistakable look whatever the time of day. The ventilated brake system with painted callipers is visible through the standard-fitted 18-inch wheels that feature a 5 parallel-spoke S design; the front callipers proudly bear the TTS logo. The exterior mirrors with aluminium-look finish and integral LED indicators set a clear accent.







Speed turns to enjoyment: on request, the standard sports seats are available in two-colour Silk Nappa leather. The ergonomic shape of the seats provides excellent support, even when adopting a sporty driving style. The new gear lever knob of the optional S tronic is comfortable to hold, the decorative surfaces in brushed aluminium gleam.

LAP 1  
00:00.0  
00:00.0  
02:16.3

Impulse leather upholstery and trim in black with special seam pattern (TTS Coupé):







Leather upholstery and trim

Inlays



Impulse leather, black ZM



Matt brushed aluminium



Impulse leather, chennai brown TZ

**Audi exclusive**

Audi exclusive leather upholstery and trim.  
From quattro GmbH

Wheels/tyres

Audi exclusive wheels/tyres from quattro GmbH



Cast aluminium wheels, 5-parallel-spoke S design<sup>1</sup>, size 9 J x 18 with 245/40 R 18 tyres



Cast aluminium winter wheels, 5-parallel-spoke S design<sup>1</sup>, size 9 J x 18 with 245/40 R 18 tyres, permissible top speed 240 km/h



Cast aluminium wheels, 5-parallel-spoke star design, size 9 J x 19 with 255/35 R 19 tyres



Cast aluminium wheels, 20-spoke design, two-piece, size 9 J x 19 with 255/35 R 19 tyres



Lightweight forged aluminium winter wheels, 7-Y-spoke design<sup>1</sup>, size 7 J x 17 with 225/50 R 17 H tyres, permissible top speed 210 km/h, suitable for snow chains



Cast aluminium wheels, 7 double-spoke design, size 9 J x 19 with 255/35 R 19 tyres



Cast aluminium wheels, 5-segment spoke design, size 9 J x 19 with 255/35 R 19 tyres



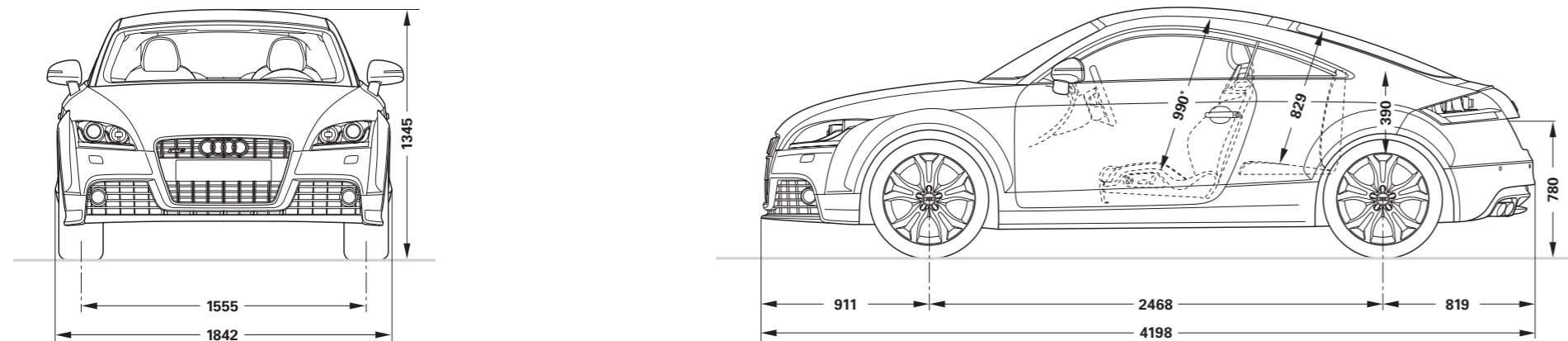
Cast aluminium wheels, 7 double-spoke design, titanium look, size 9 J x 19 with 255/35 R 19 tyres

Please find out from your local Audi partner which equipment is standard and what optional equipment is available in your country.

<sup>1</sup> Optionally available with run-flat tyres.



Audi TTS Coupé

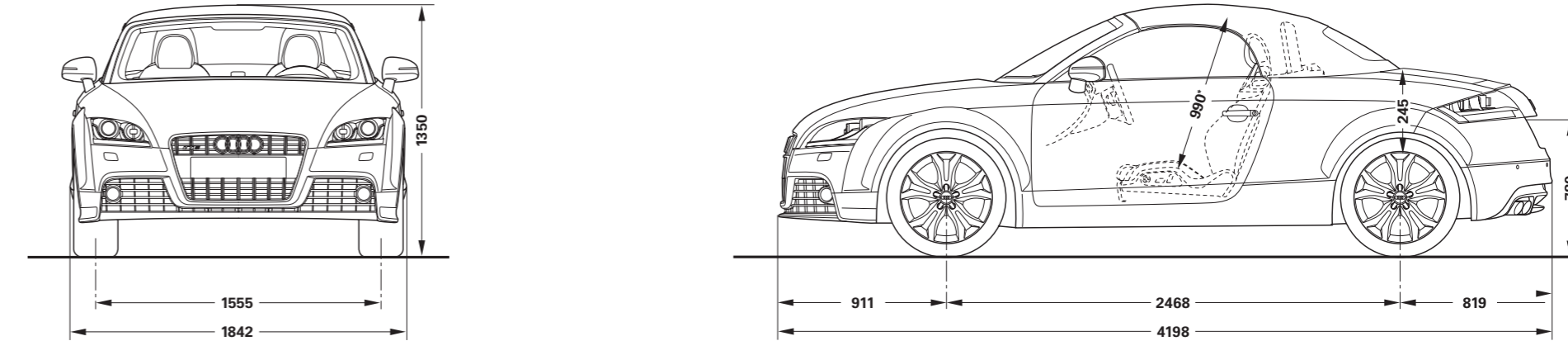


Dimensions in millimetres.

Dimensions are for vehicle at unladen weight.  
Luggage compartment volume 290/700 l (measured by the VDA standard test method using 200 x 100 x 50 mm blocks; second value is with the rear seat folded down and the vehicle loaded up to roof height). Turning circle approx. 10.96 m

\*Maximum headroom.

Audi TTS Roadster



Dimensions in millimetres.

Dimensions are for vehicle at unladen weight.  
Luggage compartment volume 250 l (measured by the VDA method using 200 x 100 x 50 mm blocks). Turning circle approx. 10.96 m

\*Maximum headroom.



The models and equipment versions illustrated and described in this brochure and some services listed are not available in all countries. Some of the cars illustrated are equipped with optional equipment for which an extra charge is made. Details concerning the delivery specifications, appearance, performance, dimensions and weights, fuel consumption and running costs of the vehicle were correct to the best of our knowledge at the time of going to press. There may be some variations between the Australian vehicle specifications and those manufactured for other markets. Please speak to your Audi Dealer should you have any questions. Deviations from the colours and shapes shown in the illustrations may occur. No liability is accepted for errors and printing errors. The right to introduce modifications is reserved. Not to be reproduced, including in part, without the written approval of Audi AG.