

CLIO RENAULT SPORT F1 TEAM R27





**IN THE SOUL OF A CLIO
BEATS THE HEART OF FORMULA 1**

Overseas model shown



Overseas model shown

The Limited Edition Clio Renault Sport F1 Team R27 asserts its identity through a unique look and even sportier dynamics than the standard model on which it's based. It's also boosted by a range of equipment drawn from the best of competition vehicles, including Cup Chassis and Recaro seats as standard.

Pure performance, driving pleasure and unique F1 styling – a Renault Sport experience like no other.



Drawing on their extensive race-winning expertise, Renault Sport has produced a Limited Edition hot hatch with the spirit of F1 running through its very core. Positioned on a Cup Chassis and with a lower ride height than the Clio 197 with stiffer springs and dampers, the driving experience is second to none.

And with its red brake calipers, optional Victory Yellow paintwork and exclusive individual Renault numbered F1 Team plaque, the slick styling sets the Clio R27.

TECHNICAL SPECIFICATIONS

2.0 Petrol MT 3-door	
ENGINE	
Type	Euro 4
Capacity (cc)	1,998
Bore x stroke (mm)	82.7 x 93
Number of cylinders/valves	4 in-line/16
Compression ratio	11.5:1
Max. power (kW)	145
Max. power (rpm)	7,250
Max. torque (Nm)	215
Max. torque (rpm)	5,550
Injection	Multipoint
Fuel	Premium unleaded (98 RON rec.)
TRANSMISSION	
Type	6-speed Manual
Speeds at 1,000rpm in	1st gear 8.33
	2nd gear 13.62
	3rd gear 17.88
	4th gear 21.99
	5th gear 27.36
	6th gear 32.77
STEERING	
Type	Variable Electric Power Assist
Turning circle between kerbs/walls (m)	11/11.40
Turns lock-to-lock	2.83
SUSPENSION	
Front suspension	Double-axis strut system
Rear suspension	Torsion beam with programmed deflection – coil springs
Cup Chassis	S
WHEELS AND TYRES	
Wheels (inches)	7.5 J 17
Tyres	215/45 R 17
BRAKING	
Front Braking System	Brembo® 4 piston calipers – Ventilated discs (312mm)
Rear Braking System	Solid discs (300mm)

S = Standard.

^Vehicle tested in accordance with ADR 81/02. Actual fuel consumption and CO2 emissions depend on factors such as traffic conditions, vehicle condition and how you drive.

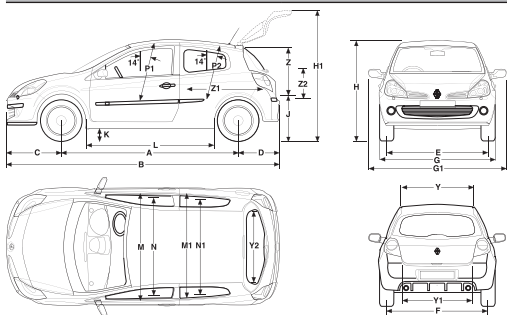
COLOURS



369 GLACIER WHITE (SOLID) NNF TORO RED (SOLID) J37 VICTORY YELLOW (METALLIC)

It should be noted that printing limitations do not permit the subtle paintwork shades on these pages to be shown with absolute accuracy. Only personal inspection of the Clio RS F1 Team R27 at your Renault Dealer will reveal it in its true colours. From time to time changes are made to the colour range. Please check availability with your Renault Dealer.

2.0 Petrol MT 3-door	
PERFORMANCE	
Max. speed (kmph)	223
0 to 100km/h	6.9
FUEL CONSUMPTION[^]	
City (L/100km)	11.6
Highway (L/100km)	6.5
Combined cycle (L/100km)	8.4
CO2 Emissions (g/km) Euro4	199
CAPACITY	
Fuel tank (litres)	55
WEIGHTS	
Kerb weight (kg)	1,221
DIMENSIONS	



A	2,585mm	H1	1,987mm	P2	861mm
B	3,991mm	J	678mm	Y	848mm
C	800mm	K	113mm	Y1	894mm
D	606mm	L	1,677mm	Y2	1,028mm
E	1,520mm	M	1,402mm	Z	652mm
F	1,520mm	M1	1,412mm	Z1	1,306mm
G	1,768mm	N	1,382mm	Z2	541mm
G1	2,025mm	N1	1,362mm		
H	1,477mm	P1	907mm		

VOLUME	
Under rear parcel shelf (litres)	288
Rear seats folded to the roof (litres)	1,038

PRODUCT FEATURES

SAFETY AND SECURITY
Active and Passive Safety Features
ABS with EBD (Electronic Brake Distribution)
Sports-tuned ESP (Electronic Stability Program) with disconnection function
Front, lateral and curtain airbags
Height adjustable three point front seatbelts with integrated pretensioners and load limiters
Three 3-point rear seatbelts with pretensioners on the outer rear seats
Automatic headlights and wipers
Height adjustable headlights
Double optic headlights, front fog lights and "See me home" function headlights
Security Features
Engine immobiliser
Remote central locking and Renault Anti Intruder Device (R.A.I.D)
INTERIOR FEATURES
"Switchblade" Key
Renault Sport Recaro front seats
Height adjustable Renault Sport leather steering wheel with red centreband and leather gear lever
Black centre console with 'soft touch' dashboard and satin chrome detail
Multi function digital display trip computer
4x15w AM/FM stereo with single CD player and fingertip remote control
Climate control air conditioning
Tinted windows
Electric front windows with anti-pinch function and one touch control
Height and lumbar adjustable driver's seat
60:40 split folding rear seat
Drilled aluminium pedals
Bootspace and glovebox light
Interior courtesy light with time delay
Driver and passenger map reading lights
EXTERIOR FEATURES
Cup Chassis:
- Lower ride height (7mm)
- Stiffer springs (+37% at front, +30% at rear)
- Stiffer dampers (+10%)
- Brembo front brakes with red calipers
Renault Sport extended front wings with integrated side air extractors, extended rear wings and sills
Rear air diffuser with twin exhaust outlets
F1 Team decals (front, rear, roof and door)
Signature charcoal 17" alloy wheels
OPTIONS
Victory Yellow paintwork
WARRANTY
3 Year/100,000km with 24 Hour Roadside Assistance

CLIO RENAULT SPORT F1 TEAM R27



(www.renault.com.au)

3
YEAR WARRANTY
100 000 km
RENAULT recommends 

For more information call 1800 009 008 or visit www.renault.com.au In New Zealand call 0800 RENAULT (736 285) or visit www.renault.co.nz. Disclaimer: Details as at September 2009 and subject to change. Colours shown are indicative only, please see your dealer for full details. Vehicles displayed in this brochure are overseas models and shown for illustration purposes only. Australian vehicles may differ in characteristics, specifications, equipment, accessories and colours than shown in this brochure. Vehicle Distributors Australia Pty Ltd and Motorcorp Holdings Ltd reserve the right to modify its models without notice including their characteristics, specifications, equipment, accessories and colours. Publication date September 2009. Vehicle Distributors Australia Pty Ltd 260-284 Frankston-Dandenong Road, Dandenong South, Victoria 3175

REN1597