



# RS 6

 Audi RS6 Saloon/RS6 Avant

Vorsprung durch Technik 







**RS6**



<b>Driving enjoyment</b>	<b>06</b>
<b>Brakes</b>	<b>10</b>
<b>Comfort</b>	<b>14</b>
<b>Design</b>	<b>18</b>
<b>quattro®</b>	<b>22</b>
<b>Engine</b>	<b>26</b>
<b>Suspension</b>	<b>32</b>
<b>Safety</b>	<b>36</b>
<b>Equipment</b>	<b>42</b>
<b>Technical data</b>	<b>51</b>
<b>Audi motorsport, Audi configurator, Audi tv</b>	<b>54</b>



**Beauty**  
soothes **the soul.**








When you know  
**what power**  
it hides.

A car is so much more than just a way of getting around. It can be the expression of your personality, pure self-esteem cast in metal, power and elegance that is tangible to all the senses. Like the Audi RS 6.

The most powerful Audi ever built for the road. Whose impressive power is matched only by its exceptional design, luxuriously comfortable fittings, and technical refinements without number. Experience for yourself a vehicle of prestige, whose elegant appearance hides a heart of pure power: the Audi RS 6.





Inspired by the racetrack, refined for the road: the high-performance braking system in the RS 6. Perforated, vented, floating brake discs 390 mm across improve stability, while the 8-piston fixed calipers give a powerful grip. And if you require, your RS 6 can be fitted with a 20-inch ceramic braking system, for that extra athletic edge.



**And this power  
can be  
tamed.**

20 inches of sheer beauty: The five segment cast aluminium wheels reveal thrilling glimpses of the high-performance braking system exclusive to the Audi RS 6.



The comfortable, heated sports seats are upholstered in an Alcantara/leather combination and are optionally available in Silk Nappa or Valcona leather. Another option are RS moulded seats at the front – their special design offers outstanding lateral support and high seating comfort, even in sportier driving situations.





RS6  
19.12  
00.00000

100 km/h  
68.3  
120

Audi Multi Media Interface  
RS6  
19.12

20.5  
22.0

The image shows the interior of a car, focusing on the dashboard and passenger side. A side mirror is visible, reflecting the exterior. Through the window, a marina with several yachts is visible. The car's interior features a 'quattro' badge on the dashboard and a door handle. The text 'Calm can be moving.' is overlaid on the image in a stylized, fragmented font.

# Calm can be moving.

The cockpit. Your personal command centre. Instruments with a visibly sporty design nestle in a piano-finish frame; the controls are positioned right where you need them, equally conducive to a dynamic spin or a relaxing cruise. The 3-spoke multi-function sports leather steering wheel is equipped with paddles allowing you to switch tiptronic speeds in an instant, without taking your hands from the wheel. Additional buttons in the spokes handily control the MMI, radio, CD changer and telephone. Or you can opt for the flat-bottomed RS sports steering wheel, featuring all the same functions. As a final touch, the premium BOSE Surround Sound system ensures the perfect musical accompaniment to every journey.

# When it's the calm before the storm.

One glance is all it takes for the fascination to take hold. The radiator grille of the Audi RS 6 with its distinctive diamond pattern shimmers in black, the front bumper houses large air inlets. The headlights with LED daytime running lights and integrated fog lights constitute a powerful statement. The underlying athleticism of the car's exterior design is embodied in every detail down to the extended wheel arches and sill extensions. The tail section with integrated rear spoiler (saloon) and roof edge spoiler (Avant), black diffuser inserts in the bumper and two oval tailpipes all complete the vision of dynamism that is the Audi RS 6.





RS6

D HH MB 23

**RS 6**





Every straight  
relaxation.

is pure







RS8

HH MB 2227

When you can

**look forward  
to the bends.**

Permanent all-wheel drive quattro® with asymmetric/dynamic torque distribution makes itself felt every time you power up the engine, ensuring that drive power is distributed over the four wheels exactly as each new situation requires. Resulting in outstanding traction. Whether on winding country roads, rough terrain, wet or snow-covered surfaces: quattro® helps ensure you stay on track. So with the Audi RS 6 you experience a highly dynamic drive even in challenging situations.

An aerial photograph of a coastline. The ocean is on the left, and a dark road curves along the shore on the right. The background shows hazy mountains under a clear sky. The text 'Performance doesn't matter.' is overlaid on the image in a bold, black, sans-serif font, split across three white rectangular boxes.

**Performance** doesn't  
**matter.**





When you have **plenty**  
**of it.**

The full majesty of the Audi RS 6 is revealed the moment you start up its engine. This power plant is something entirely new – the Audi RS 6 is the first ever vehicle to feature a mighty V10-petrol engine<sup>1</sup> with FSI® direct injection and twin turbo charging. No fewer than 426 kW are hidden under this elegant bonnet, just waiting for your command.

<sup>1</sup> Fuel consumption and CO<sub>2</sub> emission values are detailed on page 51.



RS5

HH MB 2227

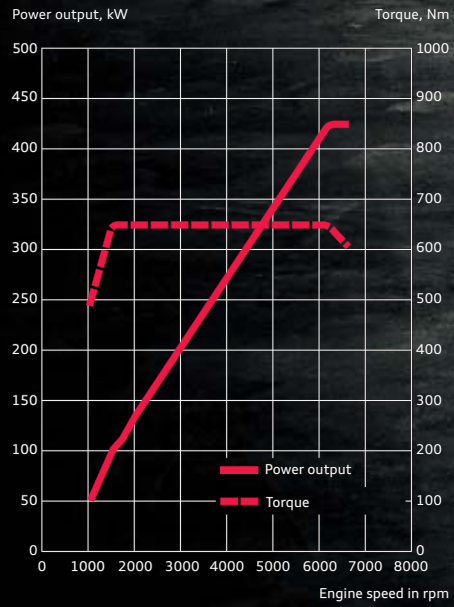


The power plant. The heart of the Audi RS 6. This ten-cylinder<sup>1</sup> generates an impressive 650 Nm of torque at 1,500 to 6,250 rpm and takes you to 100 km/h in 4.5 seconds<sup>2</sup> – and all the way to 200 km/h in just 14.5 seconds<sup>2</sup>. 6-speed tiptronic has been developed even further to provide excellent support for sporty driving; its shortened shift times respond in lightening speed to your stimuli.

The engine uses FSI® technology originally developed for motor racing. FSI ensures the most efficient use of fuel: since petrol is injected exactly into the combustion chamber, it can be metered out even more precisely. FSI gets more power out of every drop of petrol than ever before.

<sup>1</sup> Fuel consumption and CO<sub>2</sub> emission values are detailed on page 51.

<sup>2</sup> Values for RS 6 Saloon.







**One suspension is  
sufficient.**



**When you can  
call on two more  
at will.**

The sports suspension with DRC Dynamic Ride Control significantly reduces pitch and body roll even on challenging terrain. The diagonally opposed shock absorbers are hydraulically linked, and with each movement, their operating characteristics are modified and adapt to the condition of the road. Resulting in increased driving dynamics and improved traction. Available on request is the sports suspension plus for the Audi RS 6, which allows three modes to be selected in the DRC adjustment range, namely comfort, dynamic and sport – so you can select suspension hardness via the MMI. The variable damping is however retained whichever mode you opt for. Try out sports suspension plus on your favourite track – you'll be amazed how exciting a familiar road can feel.







A fun ride is a safe ride: adaptive driver and front passenger airbags, side airbags at the front, head airbag system and seatbelts with belt pre-tensioners and belt force limiters deliver advanced safety. In the background, the electronic stabilisation program (ESP) which can be deactivated in two stages, works with the ASR traction control, EDL electronic differential lock, ABS anti-lock braking system and EBD electronic brake-force distribution to help you arrive safely at your destination. Further support is offered by a range of auxiliary systems such as the parking system plus or the optional adaptive cruise control to maintain a preset distance to the vehicle in front.





HH MK 2369

RS 6



**To arrive  
is a beautiful feeling.**

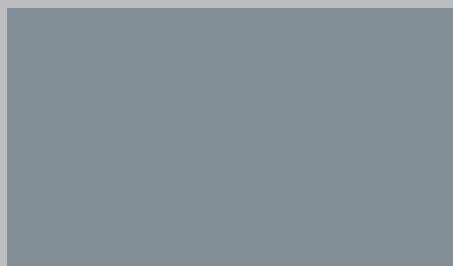




When the journey **always**  
goes on.

A thrilling ride is behind you. Now you can look forward to the next. The Audi RS 6 offers you a more athletic drive, more safety, more dynamism. Its technology is fascinating, its comfort soothing – and the feeling you get behind the wheel is something you will constantly enjoy. Can you feel the anticipation mounting? Don't wait too long to meet the Audi RS 6.

## Paints



Monza Silver, metallic

U7



Misano Red, pearl effect

N9



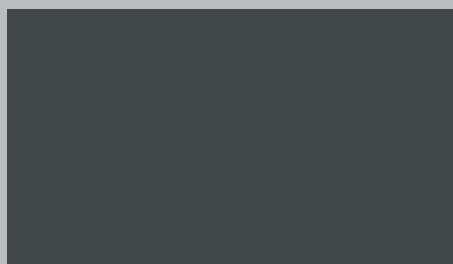
Sepang Blue, pearl effect

E9



## Audi exclusive

Audi exclusive individual paints.  
From quattro GmbH.



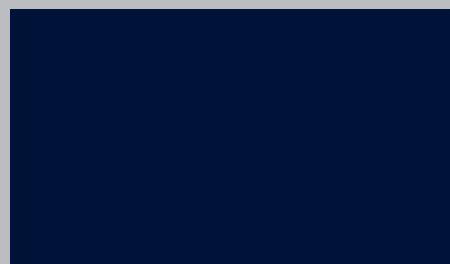
Daytona Grey, pearl effect

6Y



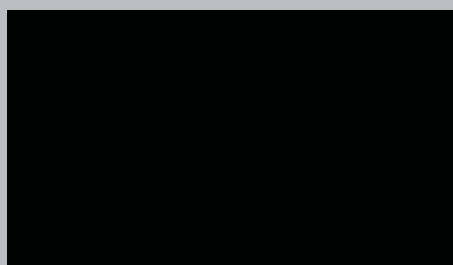
Monterey Green, pearl effect

3R



Mugello Blue, pearl effect

5W



Phantom Black, pearl effect

L8

To find out which equipment is standard and which optional equipment is available in your country, please contact your local Audi Partner.



## Sports seats



Alcantara/Leather, black

QH



Silk Nappa leather, black  
with contrasting silver seams

QH

## RS moulded seats/sports seats



Valcona leather, black, metallic  
with contrasting jet grey seams

QH



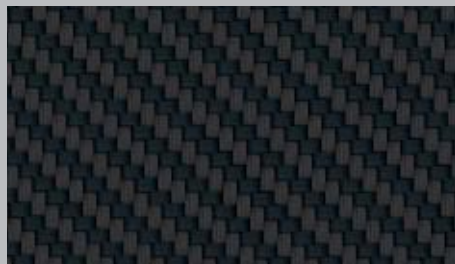
Silk Nappa leather, pearl silver  
with contrasting black seams

SB

# Audi exclusive

Audi exclusive leather trim.  
From quattro GmbH.

## Inlays



Carbon

5MB



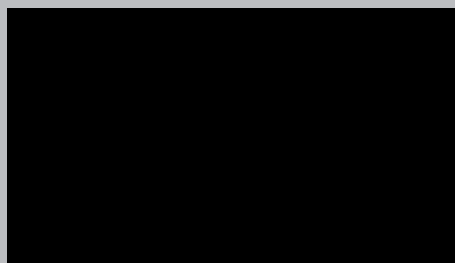
Fine-grain myrtle, nutmeg

5MR



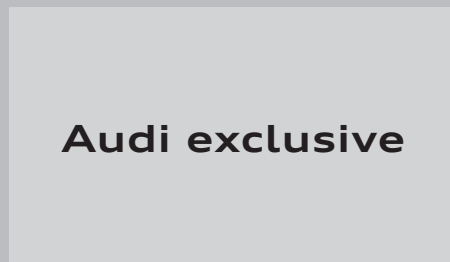
Matt-brushed aluminium

5TG



Piano finish, black

5TL



### Audi exclusive

Audi exclusive inlays.  
From quattro GmbH.

## Wheels/tyres



Cast aluminium wheels in 10-spoke design,  
9 J x 19 with 255/40 R 19 tyres



Cast aluminium wheels in 7-double spoke design,  
9.5 J x 20 with 275/35 R 20 tyres



Cast aluminium wheels in 5-segment spoke  
design,  
9.5 J x 20 with 275/35 R 20 tyres



Cast aluminium wheels in 5-segment spoke  
design, titanium look,  
9.5 J x 20 with 275/35 R 20 tyres

## Equipment packages / Design packages

Audi exclusive Styling Package in black: radiator grille, number plate holder and radiator grille frame in high-gloss black, decorative trims on the roof rail and window moulding strips in matt black, decorative trims on the door handles and rear bumper (RS 6 Saloon) in body colour, tailpipes in matt black. From quattro GmbH

## Paints

**Paints: metallic/pearl effect**

**Audi exclusive individual paints.** From quattro GmbH

## Exterior equipment

### Roof systems, locking systems, glazing, further exterior equipment

#### Roof systems

**Slide-and-tilt glass sunroof**, electric, tinted single-pane safety glass, with fully variable sunshield; integrated wind deflector, automatic pre-selection for sunroof position; convenient closing from outside via central locking and via remote control

**Slide-and-tilt solar-panel sunroof**, electric, moderates temperature in stationary vehicle with steady air current; operation as for slide-and-tilt glass sunroof (no fully variable sunshield)

#### Locking systems

**Anti-theft system** with anti-tow tilt sensor system (deactivatable); including deactivatable interior monitoring; warning horn that functions independent of car's own electrical system for protection of doors, engine and luggage compartments

**Remote control** for central locking system, integrated into vehicle key, one-touch opening and locking of doors, windows, luggage compartment and fuel cap - with variable input code, the vehicle's security level is shown by a light on the key

**Garage door opener (HomeLink)**, programmable remote control with three presets, operating buttons integrated into roof module; can be used to open or close garage or exterior doors and gates, can control security and lighting systems; contact your Audi Partner for further information

**Tailgate automatically activated** (RS 6 Saloon), automatically swings open to facilitate loading when the luggage compartment is opened via remote control, via button in driver door or via soft-touch button in handle recess of tailgate

**Tailgate electrically activated** (RS 6 Avant) opened via remote control, via button in driver door or via soft-touch button in handle recess of tailgate, closed via button on inside of tailgate. Includes closing aid and programmable opening angle

**Comfort key**, access and drive authorisation system; the key only needs to be carried with you, the engine is started and switched off via the start-stop button on the centre console, the vehicle is locked from outside via buttons on all door handles

**Power-assisted door closing**, fully closes doors left ajar, includes electrically activated child lock for rear doors

**Door handles flush with body shell**, finished in body colour, with matt aluminium-look trim

**Door opener in RS design** and aluminium-look door handles, central interior activation of central locking in driver door

**Fitting for Tracking Assistant**, fitting for the connection of a tracking assistant, by means of which the stolen vehicle can be located

**Central locking** with remote control integrated into vehicle key, one-touch opening and locking of doors, luggage compartment and fuel cap; includes convenient window opening and closing and separate unlocking of the tailgate via remote control, additional interior activation in driver door

#### Glazing

**Insulated/acoustic glass**, for additional security and improved insulation against external noise, less need for heating the interior (RS 6 Avant: rear window standard glazed)

**Windscreen** with heat-insulating glass, grey-tinted strip at top

**Rear window** can be heated, timer function

**Rear wiper** (RS 6 Avant) with automatic wash and wipe function and automatic activation when reverse gear selected (when front wiper is activated)

**Tinted glass (privacy glazing):** dark-tinted rear window, rear door windows and rear side windows

**Tinted glass (privacy glazing) with insulated/acoustic glass:** dark tinted rear window, rear door and rear side windows. Windscreen and front side windows in insulating glass

**Windscreen washing system:** two-level operation, automatic option, tip-wipe contact, automatic wash and wipe function, automatic final wipe about five seconds after last wash-wipe cycle (can be deactivated via MMI), heated front washer nozzles

**Heat-insulating glass**, green tinted, front window has laminated glass

#### Further exterior equipment

**Exhaust system**, double, with oval tailpipes

**Roof rail** (RS 6 Avant) in matt aluminium

**Roof rail** (RS 6 Avant) in matt black

**Roof edge spoiler** (RS 6 Avant) on tailgate

**Rear spoiler** (RS 6 Saloon) integrated into car body

**Wheel arch extensions** front and rear

**RS 6 logo** on radiator, on front sills, on tailgate

**Sill extensions and door profiles** finished in body colour

**Single-frame:** one-piece aluminium-look ornamental frame with diamond-pattern radiator grill in high-glossblack

**Bumper in RS design** with extra-large air intakes in front and diffusor inlay at the rear

**Trim strips** in matt aluminium-look

## Wheels/tyres

**Cast aluminium wheels in 10-spoke design**, 9 J x 19 with 255/40 R 19 tyres

**Cast aluminium wheels in 5-segment spoke design**, 9.5 J x 20 with 275/35 R 20 tyres

**Cast aluminium wheels in 5-segment spoke design, titanium look**, 9.5 J x 20 with 275/35 R 20 tyres

**Cast aluminium wheels in 7-double spoke design**, 9.5 J x 20 with 275/35 R 20 tyres

### Winter wheels

**Cast aluminium wheels in 10-spoke design**, 9 J x 19 with 255/40 R 19 winter tyres, can be used with snow chains

**Cast aluminium wheels in 5-segment spoke design**, 9 J x 20 with 265/35 R 20 winter tyres, can be used with snow chains

**Cast aluminium wheels in 5-segment spoke design**, 9.5 J x 20 with 275/35 R 20 winter tyres, cannot be used with snow chains

**Tool kit** in luggage compartment

**Wheel bolts, anti-theft**, can only be unscrewed with the adapter supplied

**Tyre pressure monitoring system**, monitors the set pressure and temperature of each individual wheel during driving, including factory-made winter wheels; wheel air pressure and temperature can be displayed in the MMI

**Tyre repair system** with 12 volt compressor and tyre sealant, allowing a top speed of 80 km/h

**Car jack** in luggage compartment

## Lights and mirrors

### Lights, mirrors

#### Light

**adaptive light**, dynamic cornering light with pivoting headlights; for better illumination of the corner, the headlights swivel into the corners at speeds of between approx. 10 km/h and 110 km/h

**High-beam assistant**: when the high-beam assistant is activated, the system senses vehicles up ahead or oncoming traffic and switches back to low-beam. It switches automatically back to high-beam when the road is clear again

**Rear lights with LED technology**, brake lights and tail lights with LED technology, with reversing lights and rear fog lights

**Interior lighting** with switch-off delay and contact switches on all doors, luggage compartment, driver, front passenger and rear lighting, two reading lights at both front and rear, illuminated vanity mirror and door panel illumination

**Lighting package**, includes door ambient lighting under the wing mirrors, entry lighting, footwell lights with LED technology front and rear, ashtrays in rear doors illuminated, ambient lighting of the centre console and front and rear door panels, active door reflectors in front and rear doors

**Fog lights** integrated into main headlights

**Headlight washing system**, uses high pressure water pump, for improved illumination, less scatter and excellent visibility

**LED daytime running light**, illuminated strip integrated into main headlights

**Xenon plus**, for improved lighting in low-beam or high-beam mode, automatic regulation of beam throw length

### Mirrors

**Exterior mirrors** with integrated LED indicators, electrically heated and adjustable, matt aluminium-look housing, convex mirror glass, flat or aspherical

**Exterior mirrors** electrically folding, auto-dimming (including interior mirror with automatic anti-dazzle function)

**Exterior mirrors** electrically folding, automatic anti-dazzle function with memory function (including interior mirror with automatic anti-dazzle function), passenger side mirror with tilt function. When reverse gear is selected, the mirror surface of the passenger mirror tilts downwards, so the driver can see the kerb when parking

**Exterior mirror casing** finished in body colour

**Interior mirror with automatic anti-dazzle function**, uses a photo-electric cell to identify excessively bright headlight beams behind the car, darkening the mirror glass automatically. Can be deactivated

**Interior mirror with digital compass display**, with automatic anti-dazzle function, digitalised display of direction of travel. The main eight points of the compass (N, NE, E, SE, S, SW, W, NW) are displayed in English

## Seats

### Seats, seating comfort, seat upholstery/leather packages

#### Seats

**RS moulded seats in front**, manually adjustable, lumbar support, width of seat and seat back electrically adjustable, without side airbag, with RS 6 logo embossed on the seat back

**Sports seats**, with extra lateral support, sporty appearance and integrated front headrests as well as RS 6 logo embossed on the front and rear seat backs

#### Seating comfort

**Head restraints** for all five seats, integrated in the front, height manually adjustable in the rear. The three head restraints in the rear compartment are L-shaped for optimum rearward visibility

**Lumbar supports for front seats** with electrical vertical/horizontal adjustment

**Memory function**, two separate memory cells for electrically adjustable driver's seat or driver and front passenger seats as well as exterior mirror and steering wheel when electrical steering wheel adjustment is installed. (Not available in combination with RS moulded seats in front)

**Centre armrest rear**, integrated in the rear seat back, fold-down, with stowage

**Centre armrest front**, with folding stowage, angle adjustable

**Fold-down rear seat back**: dividing, 1/3, 2/3 or fully folding, for the RS 6 Saloon with two locks accessed directly from the interior

**Seat heating** for front seats and outer rear seats, heated seat and backrest, each seat gradually adjustable

---

**Front seats electrically adjustable:** longitudinal position, seat height and angle, backrest angle with electrical adjustment, 4-way lumbar support, electrical vertical/horizontal adjustment. (Not available in combination with RS moulded seats in front)

---

#### Seat upholstery/leather packages

**Alcantara/leather combination:** headrests, seat sides and lateral supports, centre armrests front and centre in leather, seat centre section and door cladding inserts in inner area in Alcantara, including RS 6 logo embossed on the front and rear seat backs

**Silk Nappa leather trim:** seat covers (with contrast seams), headrests, door cladding inserts, centre armrests front and rear in leather, including RS 6 logo embossed on the front and rear seat backs

**Valcona leather trim:** seat covers (with contrast seams), headrests, door cladding inserts, centre armrests front and rear in leather, including RS 6 logo embossed on the front and rear seat backs

**Audi exclusive leather trim** (package 1) in Alcantara/leather or Valcona leather: seat centre sections and door cladding inserts in leather or Alcantara, seat side bolsters, head restraints and front and rear centre armrests in leather, including RS 6 logo embossed on the front and rear seat backs. From quattro GmbH

**Audi exclusive leather trim** (package 2) in Valcona leather: in addition to package 1, colour coordinated seat attachments and leather-trimmed backrest covers and door armrests. From quattro GmbH

**Leather-covered armrests in the door trims** front and rear

**Audi exclusive instrument panel cover on the driver's side** in black leather. From quattro GmbH

**Audi exclusive instrument panel cover on the driver's side** in coloured leather, including side centre console. From quattro GmbH

---

## Interior equipment

### Decorative elements, air conditioning, luggage securing and storage systems, further interior equipment

#### Decorative elements

**Frame** around the instrument cluster in Piano finish black

#### Inlays

Matt-brushed aluminium

Carbon

Piano finish, black

Fine-grain Myrtle, nutmeg

**Audi exclusive inlays** in different woods. From quattro GmbH

**Sill trims** in the door cut outs with aluminium inlay and RS 6 logo

---

#### Air conditioning

**Ventilation system**, four separately adjustable blowers in the instrument panel, adjusting wheels illuminated when light switched on, defroster nozzles for windscreen and side panels, footwell blowers front and rear, central blower in the rear as well as air blowers in the rear B pillars

**Deluxe automatic air conditioning plus**, separate temperature and air distribution for driver and front passenger, digital temperature display, indirect ventilation, air conditioning of rear area through air blowers in the B pillars, automatic regulation of circulating air by air quality sensor, quick-defrost button, combined pollutant and pollen filter, moisture sensor, key recognition

#### Luggage securing and storage systems

**Storage compartments** in door cladding and the centre console, additional storage compartment in the roof module, e.g. for sunglasses

**Storage package**, encompasses storage compartment under front seats, two cupholders in the rear centre armrest, for RS 6 Avant includes luggage net for the luggage compartment

**Double loading floor** (RS 6 Avant) with cargo tray underneath, easy to clean; ideal for carrying soiled equipment

**Through-loading facility**, to facilitate transport of long objects

**Through-loading facility with removable ski bag**, to facilitate transport of long objects, e.g. up to four pairs of skis or two snowboards

**Securing concept** (RS 6 Avant) for the rail system in luggage compartment, with telescopic bar and lash strap, for customised division of luggage compartment and securing luggage

**Luggage compartment** high-volume with large through-loading width, including side net on the right of the compartment (RS 6 Avant)

**Luggage compartment cover** (RS 6 Avant), removable, can be pulled out with one hand

**Luggage compartment package** (RS 6 Saloon), including a universal net in the luggage compartment, retaining hook and a 12V socket

**Cupholder**, two in the front centre console and two in the rear centre console

**Glove compartment** on front passenger side, high-volume, with light and holder for writing materials

**Coat hooks**, two in rear roof area, also one each on right and left B pillars

**Rail system with variable fastening points** (RS 6 Avant) in the luggage compartment, four of the fastening points in rail system can be individually positioned, to help secure cargo

**Lockable side compartment**, (RS 6 Avant) in luggage compartment in place of standard side net

**Pocket hooks** (RS 6 Avant) left and right in the luggage compartment

**Partition net** (RS 6 Avant), can be fastened to the car body or to the folded-down rear seatbacks, extremely useful with rear seatbacks wholly up, partly down, or wholly down; removable

**Fastening points**, four in luggage compartment, for securing baggage and cargo, RS 6 Saloon: fixed fastening points; RS 6 Avant: can be individually positioned in rail system

**Reversible mat**, for luggage compartment, one side velour one side rubberised, for covering luggage compartment, also for folded-down rear seatback; on RS 6 Avant with fold-out luggage compartment sill and bumper cover

---

**Further interior equipment**

**Ashtray**, in front centre console and in rear doors

**Roof lining** in black cloth

**Roof lining** in Star Silver cloth

**Roof lining** in Nardia microfibre, black or Star Silver

**Window lifts** electric front and rear, with closing force limitation, convenient opening/closing via central locking, one-touch open/close function

**Foot mats in velour front and rear**, match carpet colour

**Audi exclusive foot mats** with coloured leather piping. From quattro GmbH

**Foot mats with RS 6 logo**, black, embroidery on front foot mats and piping in black or silver. From quattro GmbH

**Footwell lining**, in velour, matching interior colour, footwell lighting front and rear

**Grab handles**, four, cushioned, folding, each sunk into roof area

**Centre console** with ashtrays, electro-mechanical parking brake, MMI terminal, storage compartment, cupholders, cigarette lighter and additional cupholder under a lid

**Pedals and footrests** in aluminium look

**RS 6 logo** on the multi-function leather sports steering wheel, on the rev counter and seat covers

**Sun visors** folding and swivelling, for driver and front passenger, incl. illuminated vanity mirror with lid

**Sun blind**, electric version available for rear window on the RS 6 Saloon, manual on the RS 6 Avant, and additional manual sun blinds for rear door panels

**12V socket**, in front and rear centre console and in luggage compartment (RS 6 Avant)

**Audi exclusive carpeting** including additional foot mats with coloured leather piping in front and rear. From quattro GmbH

**Cigarette lighter** in front and rear centre console

**Steering wheels****Steering wheels/gear levers/controls**

**Audi exclusive controls**: steering wheel, gear lever knob and gear lever sleeve in leather. From quattro GmbH

**Steering wheel adjustment, electric**, height and depth adjustable, with automatic entry and exit function

**Steering wheel rim personalized with Audi exclusive**, leather. From quattro GmbH

**Multi-function sports leather steering wheel, 3-spoke design**, with paddles, RS 6 logo and aluminium-look paddles behind the steering wheel, with full-size airbag and perforated leather, height and depth adjustable; for operating MMI, radio system and, if available, voice control system, telephone, mobile phone or Bluetooth interface and Audi music interface

**Multi-function leather steering wheel, 4-spoke design, with paddles**, heated, steering wheel heating can be deactivated, with full-size airbag, no RS 6 emblem, paddles behind the steering wheel in black; for operating MMI, radio system and, if available, voice control system, telephone, mobile phone or Bluetooth interface and Audi music interface

**RS multi-function leather steering wheel, 3-spoke design, with paddles**, flat-bottomed, with RS 6 emblem and aluminium-look paddles behind the steering wheel, with full-size airbag and perforated leather, height and depth adjustable; for operating MMI, radio system and, if available, voice control system, telephone, mobile phone or Bluetooth interface and Audi music interface

**RS multi-function sports leather steering wheel in “suede”**, steering wheel rim and gear lever knob in black “suede”. From quattro GmbH

**Gear lever knob, perforated leather** with aluminium look and gear lever sleeve in leather

**Infotainment****MMI and navigation systems, radio and TV systems, telephones and communications****MMI and navigation systems**

**Driver information system with colour display**, high-definition, colour representation gives better overview and readability, 3D representation of navigation system is possible, digital speed readout in display

**MMI navigation**: 6.5-inch colour display with high-quality map representation and numerous detailed display options, voice control (destination entry via spelling), dynamic route guidance (where available), MP3 and WMA-compatible DVD player for navigation data (DVD), additional arrow display in the driver information system with colour display, SDHC card reader (for up to 32 GB)

**MMI navigation plus**: with navigation data (hard drive), high-resolution 7-inch colour display with high-quality map display, voice dialogue system (destination entry by means of whole-word input), choice of three alternative routes provided, map displays have topographical map colouring and show sightseeing information and 3D city models, scrolling along the route, joystick map manoeuvring function in the control button, split-screen representation route information (manoeuvring points, points of interest on motorways, TMC on route), detailed junction map and lane recommendation, dynamic route guidance (where available). Additional arrow display in the driver information system with colour display. Radio with twin tuner, phase diversity, hard drive can also be used to store music (10 GB), MP3, WMA and AAC-compatible DVD player (can also be used for music and video DVDs), two SDHC card readers (for up to 32 GB)

**MMI radio plus**: integral operating concept, consisting of MMI terminal (control panel) and MMI display (6.5-inch colour display in the dashboard), additional display in the instrument cluster, basic personalisation of vehicle functions, integral radio with phase diversity for optimum reception and TP memo (automatically saves traffic announcements), two SD card readers (MP3 and WMA-compatible)

**Navigation data (DVD)** contains navigation data for the following countries (where digitised): Andorra, Austria, Belgium, Croatia, Czech Republic, Denmark, Estonia, Finland, France, Germany, Gibraltar, Great Britain, Greece, Hungary, Ireland, Italy, Latvia, Liechtenstein, Lithuania, Luxembourg, Monaco, the Netherlands, Norway, Poland, Portugal, San Marino, Slovakia, Slovenia, Spain, Sweden, Switzerland, Vatican City

**Navigation data (hard drive)**, contains navigation data for the following countries (where digitised): Andorra, Austria, Belgium, Croatia, Czech Republic, Denmark, Estonia, Finland, France, Germany, Gibraltar, Great Britain, Greece, Hungary, Ireland, Italy, Latvia, Liechtenstein, Lithuania, Luxembourg, Monaco, the Netherlands, Norway, Poland, Portugal, Russia, San Marino, Slovakia, Slovenia, Spain, Sweden, Switzerland, Vatican City

---

## Radio and TV systems

**Aerial system:** windscreen antenna, roof antenna with navigation system, mobile phone fittings or car phone

**Audi music interface,** for the connection of Apple iPod from generation 4, Apple iPhone (music functionality) as well as USB storage media and MP3 players. The Audi music interface is housed in the glove compartment; it is operated via the MMI or a multifunction leather steering wheel. Note: can only be used in conjunction with a special adapter cable (Audi Genuine Accessories). Please contact your Audi partner for information on other compatible MP3 players

**BOSE Surround Sound,** surround sound playback, dynamic ambient noise compensation, 8-channel amplifier, 13 loudspeakers, 270 watts total output. 5.1 surround sound reproduction when combined with the integral DVD player for MMI navigation plus; the system uses information from five separate audio channels and a bass effect channel to create an outstanding sound experience

**CD-changer,** in the glove compartment, for six CDs, (MP3 and WMA-compatible), controlled via the MMI system, vibration-proof, easily accessible, without magazine; each CD can be loaded and changed individually. Music files with digital rights management (DRM) cannot be played

**CD softbag** for individual storage of up to 24 CDs

**Digital radio (DAB),** digital stations can be received as well as analogue stations. With the DAB twin tuner (only available in conjunction with MMI navigation or MMI navigation plus), a second DAB tuner permanently searches for alternative reception frequencies of the set radio station; at the same time the station list is updated. Please note: reception depends on the availability of local digital networks

**Single-CD player,** supports audio CDs (MP3 and WMA-compatible), located in glove compartment, can be operated via the MMI

**Single-DVD player,** replace the single CD player for MMI navigation upwards, supports both audio formats (MP3 and WMA-compatible, also AAC-compatible in conjunction with MMI navigation plus) and video DVDs. Located in glove compartment and operated via the MMI

**TV reception** (for MMI navigation plus), reception of analogue and digitally-broadcast (DVB-T) uncoded television stations (MPEG-2-standard), TV image, video text and EPG (Electronic Programme Guide). Facility to connect two external AV sources via the optional adapter cable. Please note: TV reception depends on local analogue and digital network availability. No AV or TV video output whilst the car is being driven. (Audio output is also available whilst the car is being driven)

---

## Telephones and communications

**Audi Bluetooth car telephone,** your Bluetooth mobile can be easily fitted to the GSM module inside the vehicle (provided your mobile has SIM Access Profile), additional SIM card reader located in the surround of the MMI navigation/MMI navigation plus. Transfer of phone book entries to the vehicle and management of call lists; simple operation using MMI, multifunction steering wheel or voice control system. (Can only be ordered in conjunction with MMI navigation or MMI navigation plus)

**Audi Bluetooth car phone with wireless handset,** in addition to the Audi Bluetooth car phone, includes a handset with colour display and integral SIM card reader, for making private calls; easy writing of text messages thanks to automatic word recognition; the handset is accommodated in the front central armrest

**Bluetooth interface,** Bluetooth-compatible mobile phones can be connected with the vehicle via the interface. Hands-free calls are possible in the vehicle via the microphone. (Cannot be ordered in conjunction with insulated/acoustic glass)

---

---

**Mobile phone fitting (Bluetooth),** comprises a hands-free facility and voice control for telephone functions as well as a fitting for optional mobile-specific charger; operation via the MMI, a multifunction leather steering wheel or the voice control system (where available); please contact your Audi partner for adapters and information about which mobile phones are compatible

---

---

## Safety/technology

### Suspension systems/brakes, assistance systems/safety, technology

---

#### Suspension systems/brakes

**Brake system:** 19-inch high-performance brake system with ABS anti-lock braking system and EBD electronic brake-force distribution as well as hydraulic braking assistants, brake discs ventilated and perforated front and rear, electromechanical parking brake at rear

**Brake callipers,** finished in black, front also with RS logo

**Electromechanical parking brake,** encompasses parking brake function when vehicle stationary; start-up assistance through automatic release when starting up and emergency braking function on all four wheels whilst in motion

**Ceramic brake system:** 20-inch high-performance brake system with carbon-fibre reinforced ceramic brake discs, specially developed cooling channels in the ventilated and perforated brake discs, brake callipers in Anthracite, at front with "Audi ceramic" logo

**Sports suspension** with variable damping DRC Dynamic Ride Control

**Sports suspension plus:** variable DRC Dynamic Ride Control damping characteristics can be set to one of three modes, operated via MMI

---

#### Assistance systems/safety

**adaptive cruise control:** automatic distance control, recognises vehicles in front within system limits by means of a radar sensor and automatically maintains distance by braking and accelerating; four programs can be individually selected via the cruise control steering wheel lever, distance and dynamics can be individually set, radar unit discreetly mounted in radiator grille

**Airbags:** full size airbag for driver and front passenger, triggers in two stages depending on force of impact; side airbags front integrated in the backrests; extensive head airbag system, protects front and outside rear passengers in case of lateral impact

**ASR traction control,** prevents drive wheels spinning by reducing motor output and brings more stability and improved traction to the road, ASR or ASR/ESP can be deactivated via button in centre console

**Audi lane assist,** lane compliance assistant, working within the system's limits, informs the driver if he has inadvertently left the traffic lane from a speed of approx. 65 km/h. If the system is active and the driver has not engaged an indicator, the driver is notified by steering wheel vibrations shortly before or while crossing the traffic lane marker recognised by Audi lane assist. (Only available with 4-spoke multi-function steering wheel). Grey-tinted strip on windscreen is omitted

**Audi side assist,** working within the system's limits, the lane change assistant helps the driver when changing lanes (from a speed of 30 km/h). Audi side assist monitors the area to the side behind the vehicle as it is driving along and informs the driver via a signal in the exterior mirror if the system has detected an other vehicle in the adjacent lane; can be activated via the button in the driver's door

**Battery energy management,** controls supply of electrical power to the vehicle whilst in motion and when the vehicle is parked

---

**Parking system plus**, acoustic and visual parking aid for front and rear with display on MMI screen

**Parking system plus with reversing camera**, acoustic and visual parking aid for front and rear, image of area behind the vehicle shown on the MMI display, with two dynamic display modes for the calculated lane, depending on the steering angle, includes help lines and guidelines, reversing camera concealed in the tailgate handle strip

**EDL electronic differential lock**, on terrain offering variable grip the start-up aid automatically brakes the drive wheels to a speed of approx. 126 km/h when the surface is too smooth, ensuring powerful pull

**ESP electronic stabilisation program**, can be deactivated in two stages, combines ABS, EBV, ASR and EDL with its own sensors and compares driving data with reference data, at all speeds strategically brakes individual wheels and intervenes in engine management for enhanced stability

**Cruise control**, at speeds of 30 km/h and above, the system keeps the set speed constant, provided that engine power permits it; also features active braking intervention, e.g. when driving downhill; operated via separate steering column stalk, set speed also shown temporarily in instrument cluster display

**Seat belt reminder** for driver and front passenger seats, an acoustic and optical warning signal reminds occupants to affix seat belt

**Instrument cluster in RS 6 design**, with adjustable light

**Integrated headrest system**: in case of a rear collision, the shape of the seat ensures that the upper body is caught and the head supported, increasing protection and reducing the risk of a whiplash injury

**Body galvanised** (fully galvanised in rust-exposed areas), self-supporting, with welded undercarriage, front and rear area with defined crumple zones. (12-year guarantee against corrosion)

**Child lock**, manual on rear doors, safe and convenient activation via vehicle key, additional electric child lock for rear window lifts

**ISOFIX child seat anchorage for outside rear seats**, standard anchorage for convenient attachment of ISO-compliant child seats; compatible child seats are available from your Audi Partner

**ISOFIX child seat anchorage for front passenger seat** with deactivation switch for front passenger airbag, includes separate electric child lock on rear doors. (Not available in combination with RS moulded seats in front)

**Light sensor**: automatically switches low beam on and off as appropriate for lighting conditions; includes coming home/leaving home function: delayed switch-off/automatic switch-on of fog lights and LED lights as well as rear and number plate lights when vehicle switched off/opened

**Rain sensor**: automatically activates wipers

**Side airbags rear** for outer seats, as complement to side impact protection in the doors and to head airbag system

**Side impact protection**, aluminium impact absorbers integrated in front and rear doors

**servotronic**, maintenance-free rack-and-pinion steering with speed-dependent power assistance, ensuring precision steering at high speeds and excellent parking support

**Seat belts**: three-point automatic belts for all seats with belt force limiter, height adjustment, pyrotechnic belt tensioner and seatbelt reminder for front seats; belt colour matches interior

**Audi exclusive seat belts**. From quattro GmbH

**Safety steering column**, enhances protection potential of seat belts and airbags

**Door reflectors**, active, when door is open provides reverse protection from following vehicles

**First aid kit** in storage compartment in rear centre armrest

**Warning triangle** with mount on inside of tailgate

**Warning and control lights** in instrument cluster

**Electronic immobiliser**, integrated in engine controller, automatically activated by vehicle key

#### Technology

**Electronic top speed regulation at 280 km/h** and **carbon design package** for the engine compartment

**tiptronic transmission**, 6-speed with DSP dynamic switching program and sport program, hydraulic torque converter with regulated lock-up clutch

**quattro\***, permanent all-wheel drive with asymmetrical-dynamic torque distribution: variable, smooth distribution of drive force and self-locking centre differential give excellent traction; electronic differential lock via braking intervention on all four wheels



Model	RS 6 Saloon	RS 6 Avant	
<b>Engine type</b>	V10-cylinder petrol engine with twin turbocharging and direct fuel injection	V10-cylinder petrol engine with twin turbocharging and direct fuel injection	
<b>Capacity in cm<sup>3</sup> (valves per cylinder)</b>	4991 (4)	4991 (4)	
<b>Max. output<sup>1</sup> in kW at rpm</b>	426/6250-6700	426/6250-6700	
<b>Max. torque in Nm at rpm</b>	650/1500-6250	650/1500-6250	
<b>Power transmission/Wheels</b>			
<b>Drive type</b>	Permanent quattro all-wheel drive*	Permanent quattro all-wheel drive*	
<b>Transmission type</b>	6-speed tiptronic	6-speed tiptronic	
<b>Wheels</b>	Cast aluminium alloy wheels in 10-spoke design, 9 J x 19	Cast aluminium alloy wheels in 10-spoke design, 9 J x 19	
<b>Tyres</b>	255/40 R 19	255/40 R 19	
<b>Weight/Volume</b>			
<b>Unladen weight<sup>2</sup> in kg</b>	1985	2025	
<b>Permitted total weight in kg</b>	2565	2655	
<b>Permitted roof load in kg</b>	100	100	
<b>Tank capacity, approx., in litres</b>	80	80	
<b>Performance/Consumption<sup>3</sup></b>			
<b>Top speed in km/h</b>	250 <sup>4</sup>	250 <sup>4</sup>	
<b>Acceleration 0-100 km/h in seconds</b>	4.5	4.6	
<b>Fuel type</b>	Super unleaded 95 ROZ <sup>5</sup>	Super unleaded 95 ROZ <sup>5</sup>	
<b>Fuel consumption<sup>6</sup> in l/100 km</b>	<b>urban</b>	20.3	20.4
	<b>extra-urban</b>	10.2	10.3
	<b>combined</b>	13.9	14.0
<b>CO<sub>2</sub> emissions<sup>6</sup> in g/km</b>	<b>urban</b>	483	486
	<b>extra-urban</b>	243	245
	<b>combined</b>	331	333
<b>Emissions standard</b>	EU4	EU4	

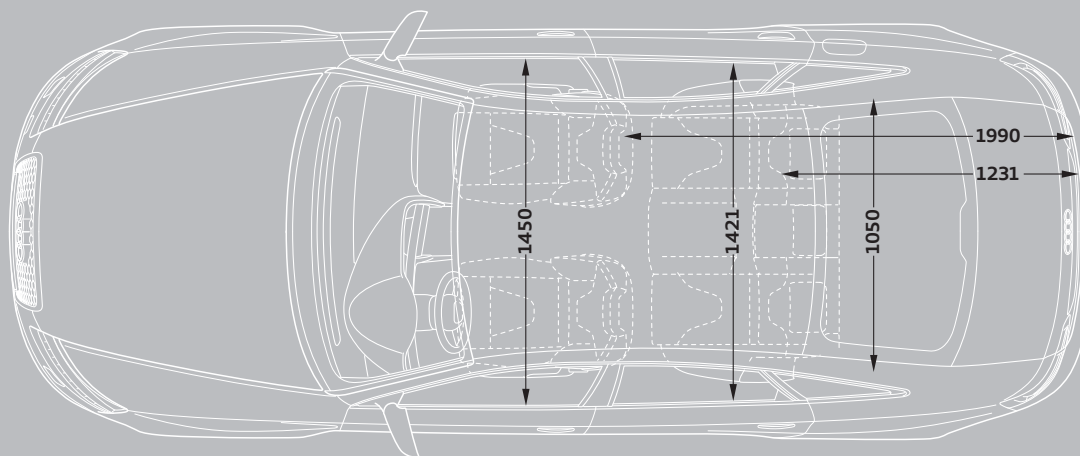
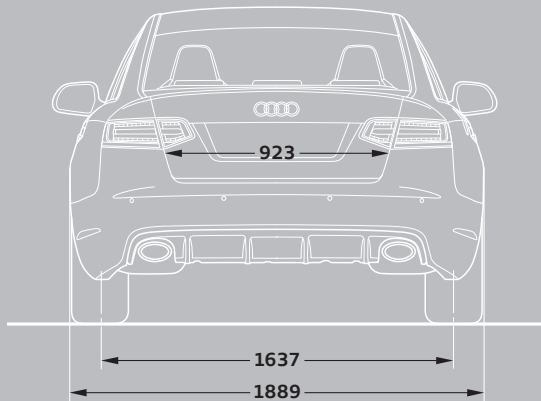
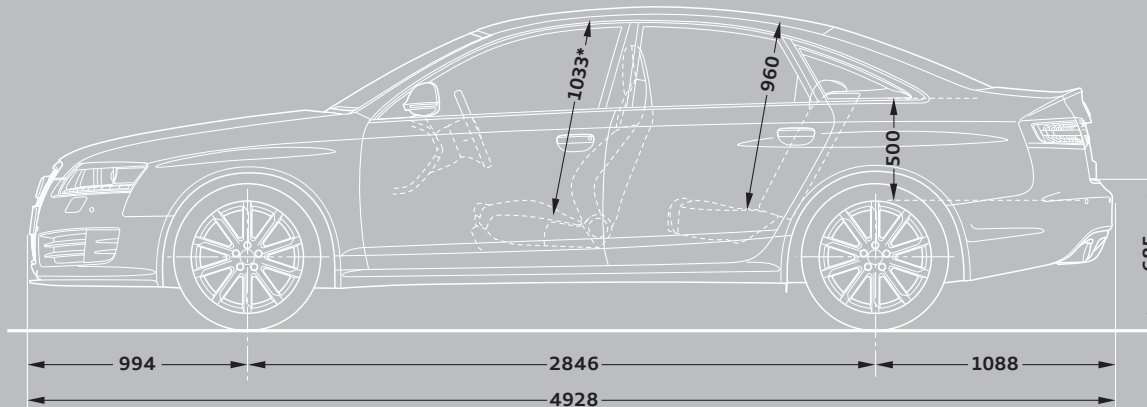
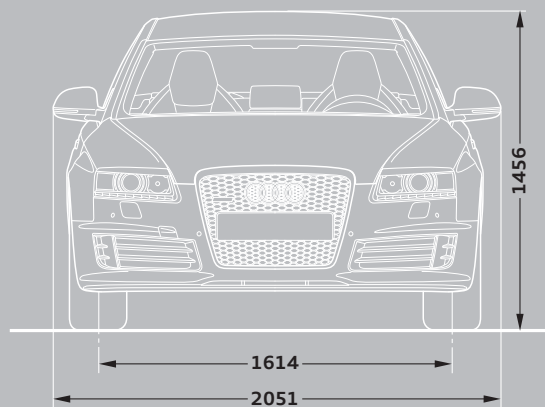
#### Key

- <sup>1</sup> The figure quoted is determined in accordance with the statutory procedure (latest version of RL80/1269/EEC).
- <sup>2</sup> Weight of car, unladen, with fuel tank filled to 90% without driver (75 kg), calculated in accordance with EC Directive 92/21/EEC. Optional equipment may increase the car's unladen weight and its drag coefficient, whereupon the possible payload limit and top speed will be reduced accordingly.
- <sup>3</sup> A vehicle's fuel consumption and CO<sub>2</sub> emission levels depend not only on the vehicle's efficiency of fuel utilisation but also on individual driving style and other non-technical factors. CO<sub>2</sub> is the green housegas most responsible for global warming.
- <sup>4</sup> Electronically limited.
- <sup>5</sup> Recommended fuel is super unleaded with 95 ROZ. When this is not available, regular unleaded with 91 ROZ may be used, but may cause a slight drop in performance.
- <sup>6</sup> The figures quoted are determined in accordance with the statutory procedure (latest version of RL80/1268/EEC). The data do not relate to an individual vehicle and are not integral to the vehicle specification, but serve solely to provide comparisons between the various models of vehicle.

#### Important note

Inspection carried out as per service display.

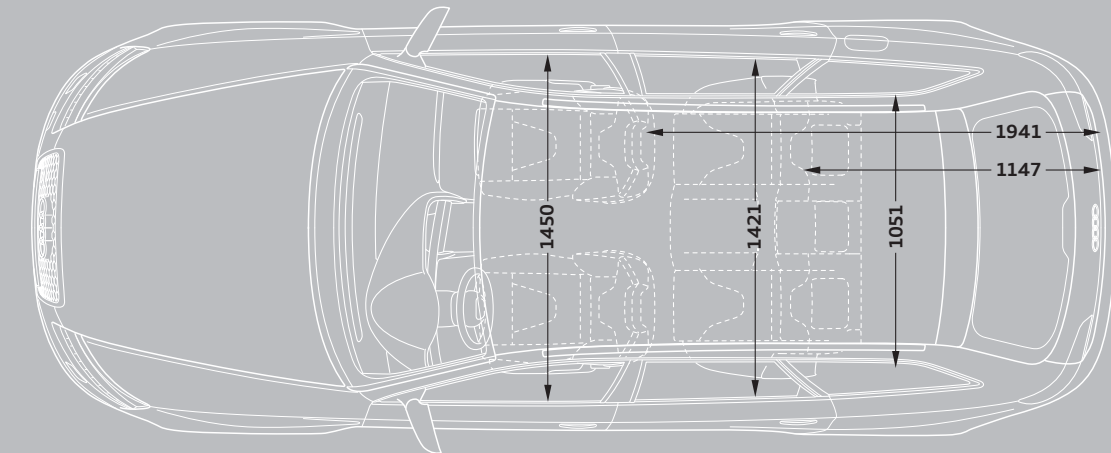
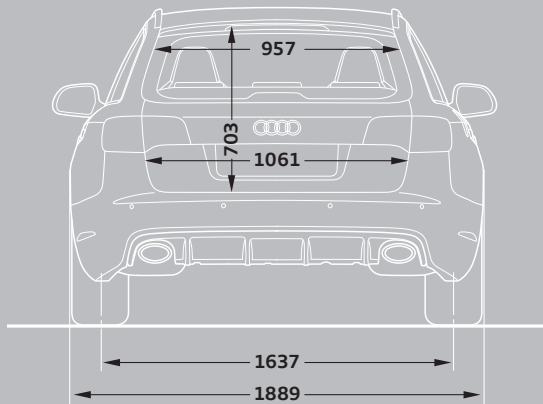
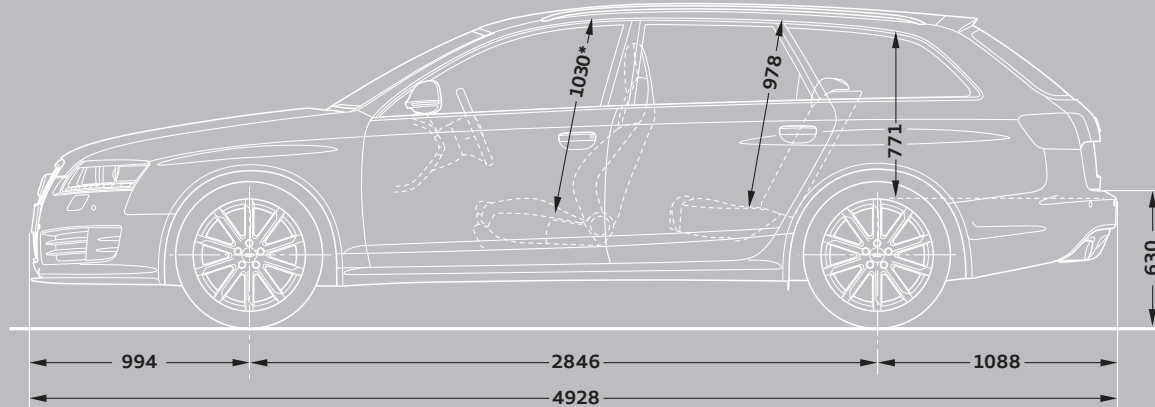
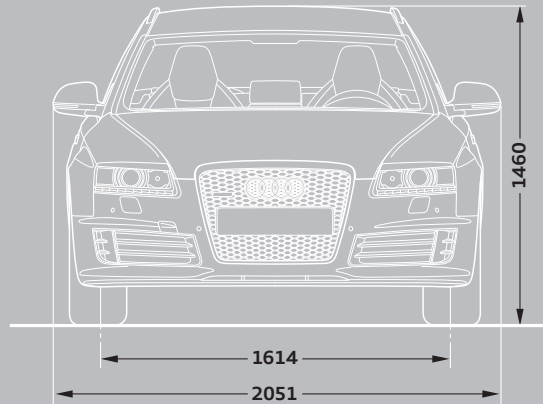
## Audi RS 6 Saloon

**Measurements in millimetres.**

Dimensions given for unladen vehicle weight, luggage compartment volume 546 l (measured according to the VDA method with cuboids measuring 200 x 100 x 50 mm). Turning circle approx. 12.2 m.

\* Max. headroom

## Audi RS 6 Avant



### Measurements in millimetres.

Dimensions given for unladen vehicle weight, luggage compartment volume 565 l, with rear seats folded down and vehicle loaded to roof 1660 l (measured according to the VDA method with cuboids measuring 200 x 100 x 50 mm). Turning circle approx. 12.2 m.

\* Max. headroom



## The path to success leads from the racetrack to the road.

Audi has a long tradition of motorsport. And for good reason. For nowhere else is Vorsprung durch Technik better demonstrated than here. Our courage and an absolute will to achieve perfection and optimum performance at the very limits have enabled us to enjoy victories right from the very start. Whether that be, for example, in rally sport, the DTM or recently, in 2008, with the diesel-powered Audi R10 RDI at the famous Le Mans 24 Hours. Successes that you will re-encounter in every production Audi. After all, engineering developments should benefit all Audi drivers. On the track. And especially on the road.



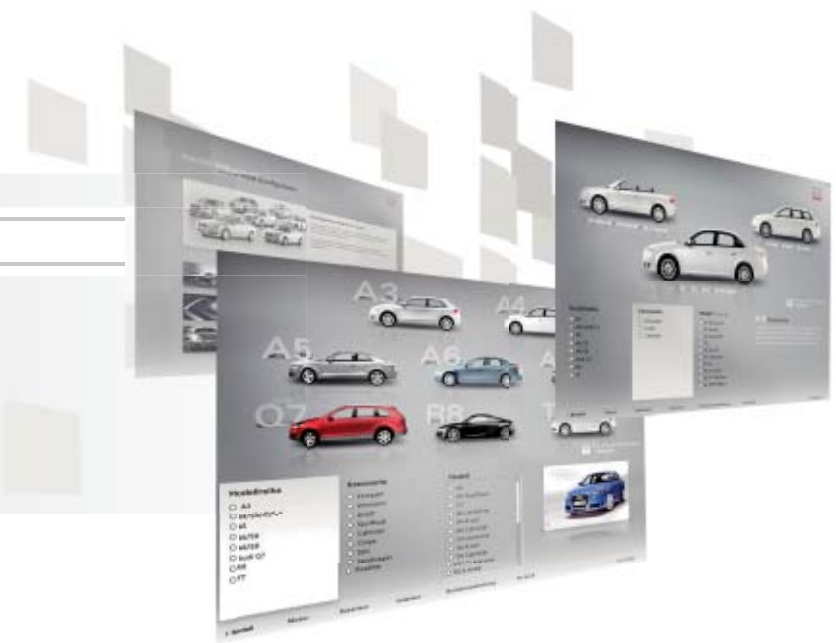
# With Audi, you get much more than an Audi.

Someone who chooses an Audi chooses a brand that offers its customers more.  
More individuality. More exclusivity. And more fascination.

## Audi configurator

Create your own personal Audi using the Audi configurator. All current models, engines, colours and equipment options are available for you to choose from.

> [www.audi.com](http://www.audi.com)



## Audi tv

On Audi tv you can discover new facets of our brand with the four rings: exciting commentaries on our models, technical innovations, fascinating events from the fields of motorsport, tradition, culture and lifestyle. Take a look behind the scenes. Every day. Round the clock.

> [www.audi.tv](http://www.audi.tv)







