

TRITON



love that car



A person in a black wetsuit stands on a sandy beach, looking out at the ocean. The beach is covered with large, smooth, brown and grey rocks. The water is a light blue-grey color, and the sky is a pale, hazy blue. The overall mood is serene and contemplative.

LOVE THAT CAR

HERE AT MITSUBISHI, WE LOVE OUR VEHICLES. WE LOVE THEIR SUPERIOR QUALITY,

*WHAT THEY STAND FOR,
AND WHAT THEY'RE CAPABLE OF.*

AND WE WANT YOU TO FEEL THE SAME WAY.

IT'S WHY WE STRIVE FOR THE HIGHEST STANDARDS IN EVERYTHING WE DO,

*AND IT'S WHY WE BACK ALL OUR VEHICLES WITH OUR MITSUBISHI DIAMOND ADVANTAGE,
NEW CAR WARRANTY, CAPPED PRICE SERVICING AND CUSTOMER CARE.*

OUR PROMISE

When you buy a Mitsubishi Triton, or any vehicle from our range, you're buying a vehicle that's backed by world-class research, technical innovation, and leading performance. In every area of our business, we're continually focussed on four key values. By following these values, we never fail to create superior vehicles that people love.

STREET PRESENCE



We design attention grabbing vehicles with real street presence. We're focussed on delivering vehicle design that not only defines the best in innovation but embodies the essence of genuine performance, handling dynamics and absolute driving pleasure.

ADVANCED TECHNOLOGY



We'll continue to develop ground-breaking technology that focuses on better control, performance and lifestyle. This includes innovations such as our Mitsubishi All Terrain Technology (MATT), our intercooled-turbo charged diesel engine and Multi Function Centre Display.

DRIVER CONFIDENCE



Enjoy the peace of mind that comes with every Mitsubishi as we continue to develop new safety technologies. The Mitsubishi Reinforced Impact Safety Evolution (RISE) body design is just part of our commitment to building world-class cars in terms of safety. Other features like Active Stability Control, ABS and EBD put Triton at the forefront of safety technology.

SUPERIOR VALUE



We are constantly striving to deliver the ultimate customer experience. That's why we developed the Mitsubishi Diamond Advantage - our commitment to ensuring you enjoy complete driving pleasure whenever you get behind the wheel of your Mitsubishi. Triton is packed with features - reflecting our commitment to make all our vehicles more cost effective and fuel-efficient.





TRITON

FOR BOTH
ON AND OFF THE CLOCK,
THE MITSUBISHI TRITON HAS EVERYTHING YOU NEED
TO GET THE **TOUGH JOBS** DONE.

THE STURDY AUSSIE WORKHORSE.

The Mitsubishi Triton has everything you need to get the tough jobs done. This dependable, Aussie workhorse feels at home anywhere you are – on a building site, a farm, or even around town. With a range of models and bodystyles in both 2-wheel and 4-wheel drive including Cab Chassis, Club Cab and Double Cabs, you can choose the vehicle that best suits your needs. And when it comes to pure grunt and power, the Triton doesn't disappoint – with a choice of a fuel efficient four cylinder petrol engine, or a powerful common rail turbocharged diesel engine.

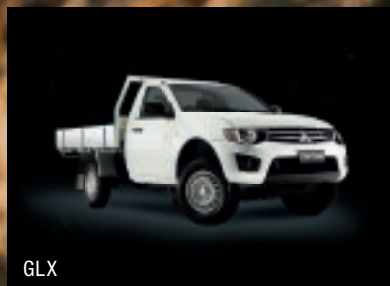
And whether at work or around town, Triton is sure to turn heads. It has a vast, sweeping cabin which makes it easy to get in and out throughout the day – and also has a Long Bed providing all the space you need to carry big loads.

Whenever a job needs doing, you can count on the Mitsubishi Triton.

overlander
4WD OF
THE YEAR
2009 – TRITON GLX-R



GL



GLX



GLX Club Cab



GL-R 2WD/4WD (available in Club Cab)



GLX-R 2WD/4WD

WITH A WHOLE RANGE
OF **SMART** AND
ROBUST FEATURES
THE TRITON IS DESIGNED FOR A
COMFORTABLE RIDE.

TAKE ON THE TOUGHEST JOBS IN COMFORT

With a whole range of smart, flexible features, the Triton is designed to make your day a breeze.

Even though it's tough on the outside, you don't have to rough it in the cabin. The inside boasts a range of luxurious features for a comfortable ride. The cabin is ergonomically designed which is important when you spend a lot of time behind the wheel. There's plenty of leg, shoulder and head room in the front and back of the double cab for transporting your family, mates or workmates with ease.

You can also set your own soundtrack to a hard day's work, or to fire up for the weekend – with the in-dash MP3 player compatible audio system, with iPod and USB connectivity.

Whether during work hours, or after hours, you'll also feel in constant control, with a multi-function display feeding you information about your driving environment, such as external temperature, average fuel consumption, and range to empty.

Plus, get the most out of your work day with Bluetooth®, it lets you make and receive phone calls on the go, so when it's time to knock off everything is sorted.





DISCOVER
THE **LATEST** IN ENGINE TECHNOLOGY

THERE'S AN IMPRESSIVE FUEL EFFICIENT PETROL AND TWO POWERFUL COMMON RAIL TURBO DIESEL ENGINES.

THEY ALL HAVE THE **POWER AND TORQUE** TO SUIT ALL YOUR TOWING AND CARRYING NEEDS.



2.5L COMMON RAIL HI POWER TURBO DIESEL WITH VGT

Offering the latest in Common Rail turbo diesel technology, the Triton range features an enhanced variable geometry turbo charger (VGT). The VGT works to optimize the turbine flow rate in order to achieve high torque at low speeds and maximised power at high speeds. The result is excellent emission control, fuel efficiency and high engine power for a superior performance that you can't argue with.

- 131kW of power
- 400Nm of torque on 5 speed manual
- 350Nm of torque on 4 or 5 speed automatic

2.5L COMMON RAIL TURBO DIESEL ENGINE

Generating impressive power and torque for all of your towing and carrying needs the 2.5 litre diesel also offers exceptional fuel efficiency to take you further for less.

- 100kW of power
- 314Nm of torque
- 5 speed manual or 4 speed auto

2.4L 4 CYLINDER PETROL ENGINE

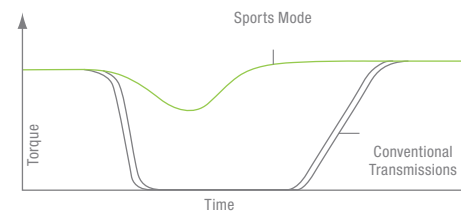
The 5-speed 2.4L four cylinder 16 valve petrol engine is ideal for jobs around town providing impressive fuel efficiency. Combined with its power and torque this engine is a proven performer that will never let you down.

- 94kW of power
- 194Nm of torque
- 5 speed manual

SPORTS MODE AUTOMATIC TRANSMISSION

Sports Mode means you can switch between the ease of an automatic or enjoy the control of a manual without a clutch. The clutch free operation reduces the rev and torque loss usually associated with engaging gears, meaning you can maintain momentum in off-road situations.

COMPARISON OF SHIFT RESPONSE



INVECS II SMART LOGIC

The Smart Logic transmission system learns and adapts to each driver's preferences by recording engine and foot brake data. The control logic then adapts the gearshift timing to suit your driving style.

ADAPTIVE SHIFT CONTROL DURING ACCELERATION





Mitsubishi brings you the latest safety systems and superior 4WD technology. Triton boasts rally proven MATT™ (Mitsubishi All Terrain Technology) for the ultimate in on and off road driver confidence. When it comes to giving you superior control we've left no stone unturned.

SUPER SELECT 4WD

The hard working Triton inherits all the 4WD-handling heritage from a long line of Mitsubishi rally champions. Superior to most 4WD systems the Triton's Super Select 4WD offers full time 4WD with the option of four driving modes as seen below. The Super Select 4WD system also offers the benefit of on-the-fly shifts from 2WD to 4WD high range at speeds of up to 100km/h.



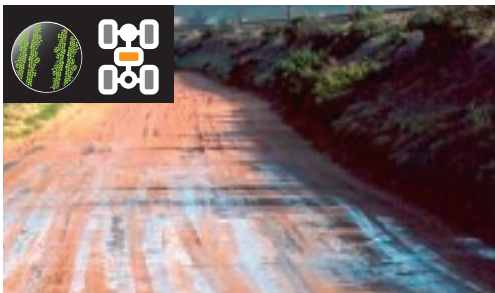
2H (2WD HIGH RANGE)

Whether you're cruising down the highway or just going across town, 2H mode shifts you into rear-wheel drive for smooth, quiet, fuel-efficient performance.



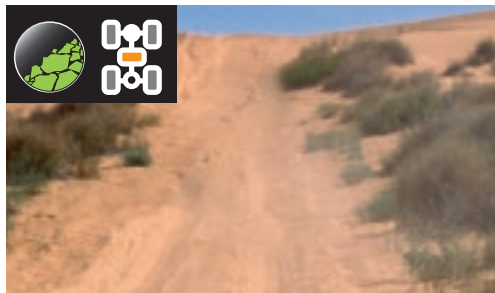
4H (FULL-TIME 4WD)

When the weather turns bad and the road gets rough, get added traction in 4H mode. This has the flexibility of a centre-differential with viscous coupling unit, providing excellent traction in unpredictable road conditions or on volatile surfaces.



4HLC (4WD HIGH RANGE W/ LOCKED CENTRE DIFFERENTIAL)

Keeping you on track in rugged or slippery conditions, 4HLC distributes power equally to all four wheels to meet off-road challenges with a steady sense of control.

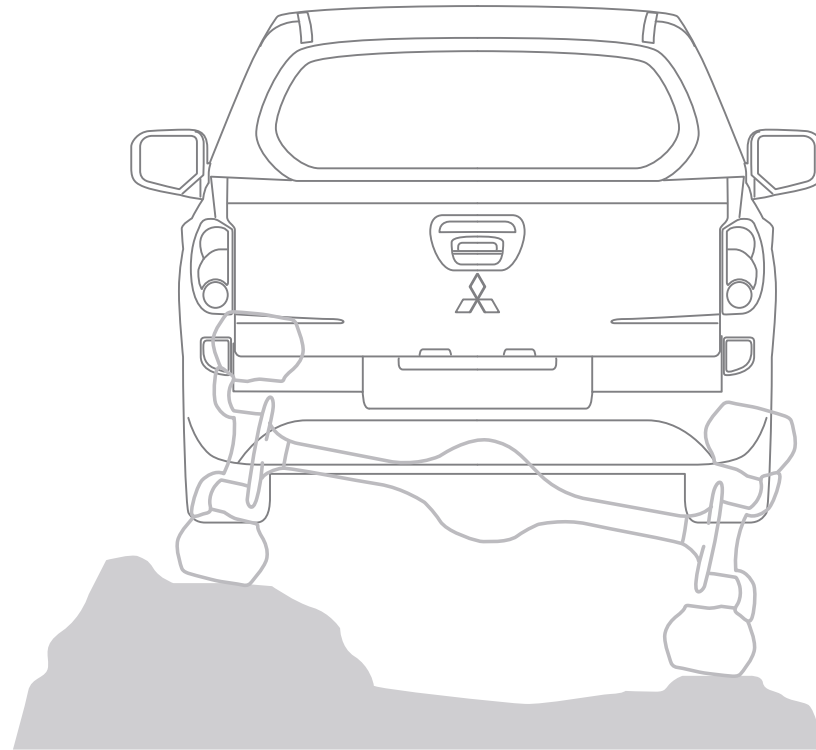


4LLC (4WD LOW RANGE W/ LOCKED CENTRE DIFFERENTIAL)

Switch to 4LLC when you need all the tractor-like crawling power your Mitsubishi 4WD is capable of. Maximised low-end torque pulls you through even the roughest terrain, stickiest mud and deepest snow.

EASY SELECT 4WD

Enabling smooth control from the driver's seat, the Easy Select 4WD system incorporates 2WD High Range for high speed driving comfort, and two transfer modes to deliver superior traction for off road situations; 4WD High Range and 4WD Low Range. When added traction is required off the black top, the free-wheeling front differential enables you to shift on-the-fly (at speeds of up to 100km/h) from 2WD to 4WD High Range mode. And Triton's Easy Select 4WD also offers a 4WD Low Range mode for conquering the roughest terrain.



REAR DIFFERENTIAL LOCK

Selected 4WD models are available with an optional rear diff lock to provide superior traction for heavy duty four wheel driving. When locked, both wheels receive the same amount of driving force, regardless of surface meaning maximum possible traction in difficult situations.

THE TRITON
FEATURES SEVERAL IMPORTANT
SAFETY INNOVATIONS
TO PROTECT
YOU AND YOUR PASSENGERS.



SRS AIRBAGS

To provide essential protection in the event of a frontal collision, every Triton is fitted with driver and front passenger SRS airbags. Side and curtain SRS airbags are also available on selected models for optimal protection of driver and passenger – front and rear – in the event of a side-on collision. The side airbags inflate from the side of the seat to protect the torso while curtain airbags activate from the roof to protect the head. The front seatbelt systems also include pretensioners and force limiters that combine to minimise the potential for serious injury in the event of a collision.

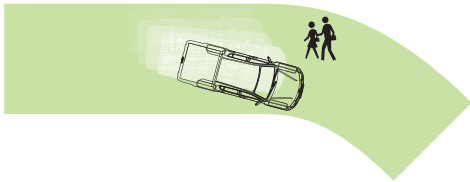


RISE SAFETY

At the heart of any integrated safety system is outstanding design. The Mitsubishi Reinforced Impact Safety Evolution (RISE) design combines an energy absorbing front section with a strong, rigid occupant cell to provide outstanding passenger protection in the event of an accident. The RISE body is coupled with a rigid ladder frame, side impact bars, and collision absorbing joints. As evidence of the Mitsubishi commitment to safety in motoring, the Triton is well specified with a raft of active and passive safety features.



ABS



Anti-Lock Braking System

Making driving on slippery roads safer, Triton's intelligent 4-channel, 4-sensor braking system monitors different wheel speeds and activates brakes to individual wheels when required to deliver superior control. This allows you to manoeuvre around objects under heavy braking conditions. 4x4 models feature Multi-Mode ABS which adapts braking forces to ideally suit each driving mode.

EBD

Driver only with EBD

Braking point



Short stopping distance

With passengers and cargo with EBD



Short stopping distance

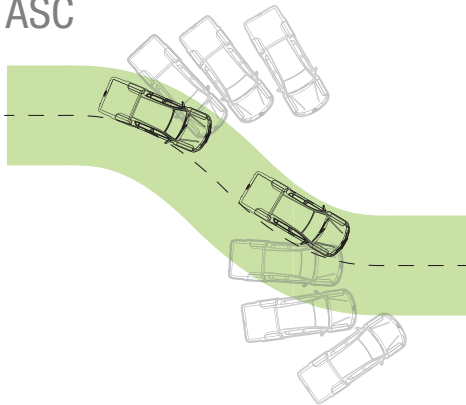
With passengers and cargo without EBD



Electronic Brakeforce Distribution

This technology actively monitors different wheel speeds to detect vehicle loads and evenly distributes brake pressure across the front and rear wheels accordingly. Under heavier loads, EBD provides shorter braking distances while enhancing overall control.

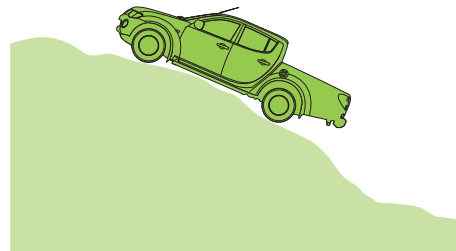
ASC



Active Stability Control

Maintains stability and prevents loss of control when cornering, automatically recognising under-steer and over-steer and applying braking force to the diagonal wheel to keep you online through corners.

ATC



Active Traction Control

Helps you maintain traction on the most slippery or rugged of surfaces. This intelligent system automatically controls the engine output, so driving wheels are prevented from spinning. Sensing loss of traction in an independent wheel, it applies braking force to that wheel and sends extra power and torque to other wheels with traction to keep you moving.

SETTING THE STANDARDS IN SUSPENSION

Independent double wishbone and coil springs – just as tough, just as dependable, but giving you a far better ride than the old torsion bar front suspension traditional amongst older utes.



GETTING THE **HARD JOBS** DONE WITH **EASE**
FROM THE **COMFORT** OF A **QUALITY**
AND **ROOMY INTERIOR.**



LARGE AND QUIET CABIN

With an incredible amount of cabin space, Triton Double Cab easily carries five adults with plenty of leg, shoulder and headroom. Triton also boasts rear seat roominess and clever ergonomically designed wide rear door openings to get in and out with ease. Ride comfort is also smooth with superior cabin quietness and low vibration and interior noise levels.



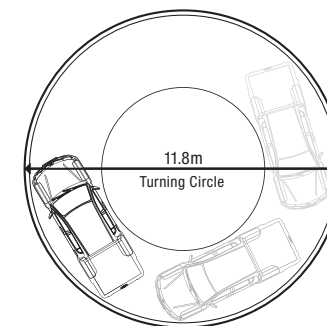
CRUISE CONTROL

When it comes to travelling long distances – whether for a weekend getaway, to inspect a remote site, or transport goods and materials, it's important to be as comfortable as possible. Thanks to Triton's easy-to-use cruise control, you can stay relaxed on the open road, reduce your fuel consumption and avoid the risk of accidental speeding. Simply set your specific speed, sit back, and enjoy the drive.



POWER WINDOWS

Triton has got every detail covered to make even little tasks easier with features such as power windows and mirrors standard on every model so you can focus on the real job at hand.



POWER STEERING

Triton's power assisted rack and pinion steering set-up provides the terrific manoeuvrability of an 11.8m kerb-to-kerb turning circle.

So not only can you enjoy passenger car-like interior, you will also be able to steer around work sites and farms with greater ease.



CARGO BED TOUGHNESS

Roomy enough for recreational gear and tough enough for working materials, the cargo bed has double-walled support structures to ensure long-term performance. Whether for work or play, Triton's cargo bed hauls loads with ease. Inner hooks let you tie down your gear securely while the single handle in the rear gate gives you easier access when your hands are full.



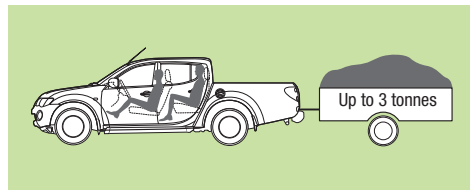
MAKE LIGHT WORK OF HEAVY LOADS

The Triton Double Cab's Long Bed provides plenty of space for your carrying needs. The pick up models have a huge 1505mm in length and 460mm in height so you can load those bulky items in with no problems. Couple this with impressive power and torque and you can be confident that the Triton can move whatever you need it to with ease.



BONUS CARRYING SPACE

Need more room for gear you'd like to carry in the cabin? Triton 4x4 Club Cab is the perfect solution. There's a couple of rear seats in case you have the occasional passenger and the rest of the time you can use the extra space to store more items securely. The Club Cab model also gives you that additional tray length over the Double Cab models.



UP TO THREE TONNES TOWING

You'll find it tough to beat the powerful towing capacity of the Triton. The 4x2 GLX-R and the entire 4x4 range can tow up to a huge three tonnes making it ideal for busy farms or worksites. Towing the farm equipment, dirt bikes, caravan or boat has never been easier.



TRITON'S **TECHNOLOGY**
 MAKES **EVERY DRIVE**
 EASIER ENJOYABLE **BLUETOOTH**

USB AND IPOD CONNECTIVITY MEANS YOU CAN LISTEN TO ALL YOUR FAVOURITE MUSIC TRACKS.

AND THE **MULTI-FUNCTION CENTRE DISPLAY**
 GIVES YOU AN **ENORMOUS** AMOUNT OF INFORMATION
 ABOUT YOUR TRITON AND DRIVING ENVIRONMENT.



MULTI-FUNCTION CENTRE DISPLAY

The GLX-R multi-function display provides endless information about your driving environment with clock and date, compass, barometer to help track weather

conditions, altimeter to show how high you've travelled, range to empty reading, average fuel consumption and the temperature outside the car.



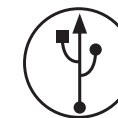
BLUETOOTH® PHONE CONNECTIVITY

Triton has the latest hands-free phone system technology, with Bluetooth® phone connectivity. This allows you to make and receive calls at the touch of a button. All this is integrated through the vehicle's audio system, so you can stay focused on the road.



CONNECT AND CHARGE YOUR IPOD

Incorporating the latest technology to make every drive a pleasure, the Audio System on selected models is iPod compatible – which means you can charge and control your iPod.



USB CONNECTIVITY

Got your favourite music stored on a USB? Selected Triton models are USB compatible – so you can connect and play MP3s wherever you like.

MITSUBISHI DIAMOND ADVANTAGE

NEW CAR WARRANTY AND CUSTOMER CARE PACKAGE



5 YEAR NEW CAR WARRANTY†

Mitsubishi Motors Australia Limited offers a 5 year/130,000km (which occurs first) New Vehicle Warranty and a 5 year Perforation Corrosion Warranty on all Mitsubishi cars and light commercial vehicles. Service conditions apply. See your dealer for details.

CAPPED PRICE SERVICING*

Enjoy 'no surprises' certainty when you book your Mitsubishi in for its regular service requirements. Your servicing costs will be capped for the first 4 year or 60,000km of driving (whichever occurs first) up to the first four regular services or eight regular services for Ralliart and Lancer Evolution vehicles. (Conditions apply). Covers all items specified under the standard "Maintenance for normal operating conditions" schedule detailed in the service and warranty booklet. Additional service/repair items (if required) are at additional cost.

CUSTOMER ASSIST

We're here to help. So just call Mitsubishi Motors Australia Limited on 1300 13 12 11 if you have any questions or for the location of your nearest Mitsubishi dealer.

200+ DEALER NETWORK

With a network of more than 200 dealers, Mitsubishi is never too far away.

GENUINE SERVICE

Mitsubishi offers one of Australia's best service intervals of 12 months/15,000 km (whichever comes first). Regular scheduled servicing ensures the long-term reliability and safety of your Mitsubishi and our Scheduled Service Program also helps protect your car's resale value.

FINANCE

Take the burden out of financing your new Mitsubishi vehicle with our competitive range of finance products, developed by Mitsubishi Motors Australia Limited and St. George Motor Finance Limited.

ROADSIDE ASSIST^

Peace of mind is guaranteed anywhere in Australia with our Roadside Assist, 24 hours a day, 365 days a year. Our fast, comprehensive roadside service offers assistance, repairs, towing and storage.

GENUINE PARTS

Your Mitsubishi will be serviced regularly by skilled Mitsubishi-trained technicians. Only genuine Mitsubishi parts are fitted to your car during scheduled servicing - parts that have been fully tested and meet Mitsubishi's stringent quality control.

INSURANCE

With the sound backing of Swann Insurance and Mitsubishi Motors Australia Limited, Mitsubishi owners can choose between vehicle and personal protection solutions including motor vehicle, gap cover and loan protection insurance as well as a range of tailored warranty policies.

**MITSUBISHI
DIAMOND
ADVANTAGE**

†5 year or 130,000km New Vehicle Warranty (whichever comes first). Service conditions apply. *4 years or 60,000km Capped Price Servicing (whichever occurs first). Covers all items specified under the standard "Maintenance for normal operating conditions" schedule detailed in the service and warranty booklet. Additional service/repair items (if required) are at additional cost. ^1 year Roadside Assist (Service conditions apply). For purchases of new Mitsubishi vehicles after 1st October 2012, your initial 12 month roadside assist will be extended for a period of 12 months from the date of the most recent eligible Capped Price Service for that vehicle performed at an authorised Mitsubishi dealer. Roadside assist, if extended in accordance with these items, is available for a maximum of up to 5 years. Conditions apply. Offer subject to change without notice. Excludes Government, Rental and National Fleet customers.

12MY October 2012

mitsubishi-motors.com.au

Specifications and features may vary by model. Please refer to the Specifications Booklet enclosed or mitsubishi-motors.com.au for full information.
As features can change without notice, confirm the equipment level of your vehicle with your Mitsubishi dealer. TR11012. MIT4704



TRITON 4X2

SPECIFICATIONS & FEATURES



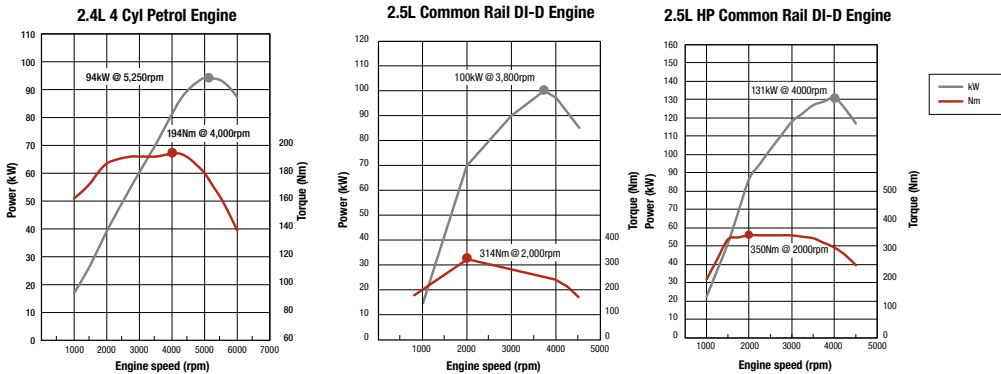
love that car



TRITON 4X2 SPECIFICATIONS



Engine			
Type	2.4L 4 cyl, SOHC, 16 Valve Petrol with 'Balance Shaft'	2.5L 4 cyl, DOHC, 16 Valve Common Rail Diesel with Intercooled Turbocharger	2.5L Hi Power 4 cyl, DOHC, 16 valve Common Rail Diesel with Intercooled Turbocharger
Engine Code	4G64	4D56	4D56
Bore x Stroke	86.5mm x 100.0mm	91.1mm x 95.0mm	91.1mm x 95.0mm
Capacity	2,351cc	2,477cc	2,477cc
Compression Ratio	9.0:1	17.0:1	16.5:1
Maximum Power	94kW @ 5,250rpm	100kW @ 3,800rpm	131kW @ 4,000rpm
Maximum Torque	194Nm @ 4,000rpm	314Nm @ 2,000rpm	350Nm @ 2,000rpm



Power Train	GL	GLX	GL-R	GLX-R
5 speed manual transmission	S	S	S	-
4 speed auto transmission	-	0	0	-
5 speed auto transmission	-	-	-	S

Wheels and Tyres	GL /GLX	GL-R/GLX-R
Wheels	16" x 6" Steel	16" x 7" Alloy
Tyres [†]	205R16C 110/108R 8PR	245/70R16 111S RF

[†] The tyres fitted to Triton as standard equipment are designed primarily for use on sealed roads. If your Triton is to be driven primarily on unsealed roads, please consult your Mitsubishi dealer for advice on suitable tyre choices.

Electrical System	2.4L Petrol	2.5L CDI
Battery	55D23L	95D31L
Alternator	12V-90A	12V-90A

Clutch	
Manual	Dry single disc clutch with diaphragm spring, hydraulic action
Automatic	3 element torque converter with lock-up and transmission oil cooler

Four Wheel Power Assisted Brakes	
Front	Ventilated discs, single piston calipers
Rear	Drums, leading and trailing shoes

Suspension	
Front	Front double wishbone with coil & front stabilizer
Rear	Rigid – elliptic leaf spring

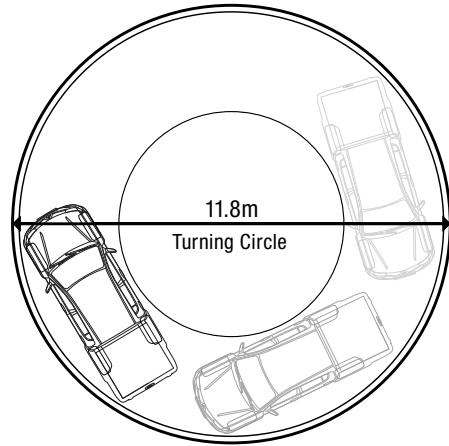


Transmission Ratios	2.4L M/T	2.5L CDI M/T	2.5L CDI A/T	2.5L CDI GLX-R A/T
first	3.967	4.313	2.842	3.789
second	2.136	2.330	1.495	2.057
third	1.360	1.436	1.000	1.421
fourth	1.000	1.000	0.731	1.000
fifth	0.856	0.788	-	0.731
reverse	3.578	4.220	2.720	3.865
Final Gear Ratio	4.875	3.917-GLX 4.100-GL-R	3.917-GLX 4.100-GL-R	3.917

Fuel System	2.4L M/T	2.5L CDI M/T	2.5L CDI A/T	2.5L CDI GLX-R A/T
Fuel Supply Equipment	Electronically controlled multi point injection	Common Rail Direct Injection	Common Rail Direct Injection	Common Rail Direct Injection
Fuel Consumption [^] (ADR 81/02) litres per 100km	10.9	8.2	8.6	9.4
Fuel Tank Capacity (L)	75			

[^] These figures are obtained from controlled laboratory tests conducted by Mitsubishi Motors to Australian Design Rule ADR81/02 and are provided to assist you in comparing the fuel consumption of Triton with other vehicles. The actual fuel consumption you achieve will depend, however, on many factors, including your driving habits, the prevailing conditions and your vehicle's equipment, condition and use.

TRITON 4X2 SPECIFICATIONS



Steering	
Type	Power assisted rack and pinion steering
Turning Circle	11.8m

Triton 4X2 Capacities		Gross Vehicle Mass	Kerb Mass	Gross Combination Mass	Maximum Payload*
2.4L GL Single Cab-Chassis	5 M/T	2,750	1,394	4,480	1,356
	4 A/T	2,750	1,533	5,175	1,217
2.5L GLX Single Cab-Chassis	5 M/T	2,750	1,541	5,175	1,210
	4 A/T	2,750	1,678	5,175	1,072
2.5L GLX Single Cab Utility	5 M/T	2,750	1,686	5,175	1,064
	4 A/T	2,750	1,781	5,185	979
2.5L GLX Double Cab Utility	5 M/T	2,760	1,781	5,185	979
	4 A/T	2,760	1,791	5,185	969
2.5L GL-R Double Cab	5 M/T	2,760	1,781	5,185	979
	4 A/T	2,760	1,791	5,185	969
2.5L GLX-R Double Cab	5 A/T	2,760	1,847	5,700	913

*Payload includes occupants, fuel and fitted options (if any). The weight of these must be deducted from payload to determine actual load carrying capacity. Front and/or rear axle loads must not be exceeded.

Towing Capacity	Maximum Towing Capacity**	Maximum Towball Download	Maximum Front Axle Load (kg)	Maximum Rear Axle Load (kg)
2.4L Single Cab	1,800	180	1,260	1,800
2.4L Double Cab	1,800	180	1,260	1,800
2.5L Single Cab	2,500	250	1,260	1,800
2.5L Double Cab	2,500	250	1,260	1,800
2.5L GLX-R Double Cab	3,000	300	1,260	1,800

**Subject to state regulations and towbar design



Exterior Dimensions	GL/GLX Single Cab	GLX Double Cab	GL-R/GLX-R Double Cab
Overall height (mm)	1,775	1,775	1,780
Overall length – with pickup body fitted (mm)	5,040	5,210	5,285/5,389
Overall width (mm)	1,750	1,750	1,800
Ground clearance (mm)	200	200	205
Track – front (mm)	1,505	1,505	1,520
Track – rear (mm)	1,500	1,500	1,515
Wheelbase (mm)	3,000	3,000	3,000
Approach angle (degrees)	33	33	33
Departure angle (degrees)	27	21	21
Ramp breakover angle (degrees)	27	27	27

GL/GLX Dimensions



GLX-R Dimensions



Cargo Bed (where fitted) (mm)	GLX Single Cab	GLX Double Cab	GL-R/GLX-R Double Cab
Cargo bed – length	2,220		1,505
Cargo bed – height	405		460
Cargo bed – width		1,470	
Cargo bed – width between arches		1,085	
Cargo bed – floor height		845	850

Cargo Bed Dimensions



Seating Capacities	Single Cab	Double Cab
All Models	2	5
Model with bench seat option	3	–

MITSUBISHI TRITON 4X2 – KEY FEATURES BY MODEL



2.4L GL Petrol Single Cab

Mechanical

2.4L 4 cylinder petrol 16 valve engine
5 speed manual transmission
Engine immobiliser
Power steering
Heavy duty suspension
Engine under cover
Simple tool set & jack
Front recovery point

Cargo

Cab Chassis body style

Exterior

16" steel wheels
Front mud flaps
Front skid plate

Comfort

Air conditioning
Side and rear window demisters
Driver's foot rest
Passenger assist grip
Steering column – tilt adjustable

Convenience

Room lamp
Door courtesy lamps (all doors)
Cigarette lighter
Ashtray on instrument panel
Central locking with remote keyless entry
Power windows – with driver auto down function
Front wipers with 2 speeds and variable intermittent
Headlamps "ON" audible warning buzzer
Instrument lamp variable dimming control
Digital clock in headlining

Analogue instrumentation includes
– Speedometer with tripmeter, Tachometer,
fuel & water temperature gauges
Low fuel warning lamp

Storage

Glove compartment – illuminated and lockable
In-dash storage box with lid (GL only)
Storage pocket in doors (2)
Bottle holders (2)
Centre console storage box

Interior

Vinyl floor covering

Seating

Front sports seats with slide & recline function
(driver & passenger) and driver's height adjustment
Seat trim – cloth (dark grey)
Convenience hook

Audio & Media

AM/FM Radio/CD Tuner with MP3 compatibility
Speakers (2)

Safety

Anti-lock Braking System (ABS) with Electronic
Brakeforce Distribution (EBD)
Driver & passenger SRS airbags
Side door impact beams
Child restraint anchorage
Halogen headlamps
Illuminated hazard switch
Driver & front passenger seat belt pretensioners
Seatbelt warning lamp with timer

Security

Steering lock
Fuel lid opener – key locked
Diamond Advantage Roadside Assistance

Options

Front seat split bench with driver side slide & recline
(increases seating capacity to 3)¹



2.5L Diesel GLX Single Cab

(Features Additional to GL)

Mechanical

2.5L 4 cylinder intercooled-turbo diesel engine
4 speed auto transmission – Optional
Engine cover

Exterior

Body coloured bumper
Black grille with chrome bars

Convenience

Cruise Control
Power mirrors

Audio & Media

AM/FM Radio/CD Tuner with MP3 compatibility,
Aux In, USB and iPod control
Bluetooth® hands free phone operation²

Safety

Active Stability Control (ASC)
Active Traction Control (ATC)
Smart Brake (Brake Override System)

Options

Pick Up & Cab-Chassis

Front seat split bench with driver side slide
& recline (increases seating capacity to 3)¹

¹ Centre console, driver's seat height adjustment and passenger seat slide and recline function is deleted when bench seat option is selected.

² Bluetooth® connectivity depends on your phone compatibility.



2.5L Diesel GLX Double Cab

(Features Additional to GLX Single Cab)

Cargo

Pick up body with double walled tray
Rear body inner hooks (6)
One touch gate handle
Rear window guard frame (GLX Double Cab only)
Link type gate stopper

Exterior

Rear mudflaps

Comfort & Convenience

Passenger assist grips (3)
Coat hanger
Accessory socket in console – 12V
Rear centre armrest with cup holders

Storage

Bottle holders (4)
Seat back pocket

Seats

Front sports seats with slide & recline function (driver & passenger) and driver's height adjustment
Rear seat headrests (3)
Convenience hooks (2)

Audio & Media

Speakers (4)

Safety & Security

Child proof rear door lock
Fuel lid opener – remote

Options

Pick Up Options

Safety Pack
Side & curtain airbags
Side steps (platform type)

2.5L Diesel GL-R Double Cab

(Features Additional to GLX Double Cab)

Mechanical

Sports suspension

Exterior

16" alloy wheels (245/70R16 111S RF tyres)
Sports bar
Body coloured fender flares
Side steps (platform type)
Rear step bumper
Tailgate mounted high mount stop lamp
Honeycomb grille with chrome surround

Interior

Carpet floor covering
Leather bound steering wheel
Leather bound gearshift lever (manual transmission)
Titanium look instrument panel & surrounds

Options

Pick Up Options

Side & curtain airbags

2.5L Diesel GLX-R Double Cab

(Features Additional to GL-R Double Cab)

Mechanical

2.5L Hi Power 4cyl intercooled turbo-diesel engine
5 speed Sports Mode auto transmission

Exterior

Nudge bar
Wire type gate stopper
Chrome door mirrors
Chrome exterior door handles
Body coloured tailgate handle
Fog lamps
Privacy glass
Side steps (tube type)
Side protection mouldings

Interior

Passenger side vanity mirror
Chrome interior door handles

Seating

Seat trim – sports cloth (black)

Comfort & Convenience

Automatic air conditioning
Ticket holder (driver side sunvisor)
Map lamps with sunglass pocket
Illuminated ignition key
Rear power window – with auto up and down function

Safety

Side & curtain SRS airbags

Audio & Media

Multi function display includes:
clock with date
outside temperature
compass
barometer
altimeter
trip computer with range to empty and average fuel consumption functions
audio information

Speakers (6)

Steering wheel audio controls

Options

Pick Up Options

Diff Lock
Luxury Pack
Leather seat trim with leather console
Driver power seat with slide, height and recline
Body coloured side protection moulding
Diff Lock

STYLE YOUR TRITON

Colours



RED



DARK BLUE (P)*



BLACK (P)



IRONBARK (M)**



WHITE



COOL SILVER (M)



CHARCOAL (P)*

METALLIC (M) AND PEARLESCENT (P)
PAINTS ARE OPTIONAL EXTRAS
* NOT AVAILABLE ON GL/GLX
** AVAILABLE ON GLX-R ONLY

Interiors



GL/GLX SINGLE CAB – CLOTH (BENCH SEAT OPTION SHOWN)



GLX DOUBLE CAB – CLOTH



GL-R – CLOTH



GLX-R – CLOTH



MITSUBISHI DIAMOND ADVANTAGE

†5 YEAR NEW VEHICLE WARRANTY ♦ ^5 YEAR ROADSIDE ASSIST
***CAPPED PRICE SERVICING ♦ CUSTOMER ASSIST ♦ 200+ DEALER NETWORK**
GENUINE SERVICE ♦ GENUINE PARTS ♦ INSURANCE ♦ FINANCE ♦ PRE-OWNED VEHICLES

†5 year or 130,000km New Vehicle Warranty (whichever comes first). Service conditions apply. *4 years or 60,000km Capped Price Servicing (whichever occurs first). Covers all items specified under the standard "Maintenance for normal operating conditions" scheduled detailed in the service and warranty booklet. Additional service/repair items (if required) are at additional cost. ^1 year Roadside Assist (Service conditions apply). For purchases of new Mitsubishi vehicles after 1st October 2012, your initial 12 month roadside assist will be extended for a period of 12 months from the date of the most recent eligible Capped Price Service for that vehicle performed at an authorised Mitsubishi dealer. Roadside assist, if extended in accordance with these items, is available for a maximum of up to 5 years. Conditions apply. Offer subject to change without notice. Excludes Government, Rental and National Fleet customers.

TRITON 4X4

SPECIFICATIONS & FEATURES



love that car

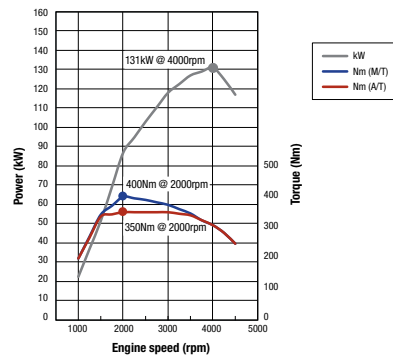


TRITON 4X4 SPECIFICATIONS



Engine	
Type	2.5L HP 4 cyl, DOHC, 16 valve Common Rail Diesel with Intercooled Turbocharger
Engine Code	4D56
Bore x Stroke	91.1mm x 95.0mm
Capacity	2,477cc
Compression Ratio	16.5:1
Maximum Power	131kW @ 4,000rpm
Maximum Torque M/T	400Nm @ 2,000rpm
Maximum Torque A/T	350Nm @ 2,000rpm

2.5L HP Common Rail DI-D Engine



Power Train	GLX			GL-R		GLX-R
	Single Cab	Club Cab	Double Cab	Club Cab	Double Cab	Double Cab
5 speed manual transmission	S	S	S	S	S	S
4 speed auto transmission	-	-	0	-	0	-
5 speed auto transmission	-	-	-	-	-	0

Wheels and Tyres	GLX	GL-R	GLX-R
	Wheels	16" x 7" Steel	16" x 7" Alloy
Tyres ¹	245/70R16 111S RF	245/70R16 111S RF	245/65R17 111S RF

¹The Tyres fitted to Triton as standard equipment are designed primarily for use on sealed roads. If your Triton is to be driven primarily on unsealed roads, please consult your Mitsubishi dealer for advice on suitable tyre choices.

Electrical System	
Battery	95D31L
Alternator	12V-90A

Clutch	
Manual	Dry single disc clutch with diaphragm spring, hydraulic action
Automatic	3 element torque converter with lock-up and transmission oil cooler

Four Wheel Power Assisted Brakes with ABS and EBD	
Front	Ventilated discs, single piston calipers
Rear	Drums, leading & trailing shoes

Suspension	
Front	Front double wishbone with coil & front stabilizer
Rear	Rigid – elliptic leaf spring



Transmission Ratios	5 M/T	4 A/T	5 A/T
	GLX/GL-R/GLX-R	GLX/GL-R	GLX-R
first	4.313	2.842	3.789
second	2.330	1.495	2.057
third	1.436	1.000	1.421
fourth	1.000	0.731	1.000
fifth	0.788	-	0.731
reverse	4.220	2.720	3.865

Transfer Ratio			
High	1.0	1.0	1.0
Low	1.9	1.9	1.9

Final Drive			
Final Gear Ratio	3.692 – GLX	3.917 – GLX	3.917
	3.917 – GL-R/GLX-R	4.100 – GL-R	

Fuel System		
Fuel Consumption [^] (ADR81/02) litres per 100km	Manual	Automatic
Single Cab Models	8.0	-
Club Cab Models	8.1	-
GLX, GL-R Double Cab Models	8.1	9.3
GLX-R Double Cab	8.3	9.6
Fuel Tank Capacity (L)	75	
Fuel Supply Equipment	Common Rail Direct Injection	

[^]These figures are obtained from controlled laboratory tests conducted by Mitsubishi Motors to Australian Design Rule ADR81/02 and are provided to assist you in comparing the fuel consumption of Triton with other vehicles. The actual fuel consumption you achieve will depend, however, on many factors, including your driving habits, the prevailing conditions and your vehicle's equipment, condition and use.

TRITON 4X4 SPECIFICATIONS

Steering	
Type	Power assisted rack and pinion steering
Turning Circle	11.8m

Triton 4X4 Capacities		Gross Vehicle Mass	Kerb Mass	Gross Combination Mass	Maximum Payload*
GLX Single Cab-Chassis	5 M/T	2,930	1,653	5,700	1,277
GLX Single Cab Utility	5 M/T	2,930	1,791	5,700	1,139
GLX Club Cab-Chassis	5 M/T	2,920	1,739	5,400	1,181
GLX Club Cab Utility	5 M/T	2,920	1,875	5,700	1,045
GL-R Club Cab-Chassis	5 M/T	2,920	1,741	5,700	1,180
GL-R Club Cab Utility	5 M/T	2,920	1,890	5,700	1,031
GLX Double Cab-Chassis	5 M/T	2,900	1,796	5,700	1,104
	4 A/T	2,900	1,806	5,700	1,094
GLX Double Cab Utility	5 M/T	2,900	1,917	5,700	983
	4 A/T	2,900	1,927	5,700	973
GL-R Double Cab-Chassis	5 M/T	2,900	1,795	5,700	1,105
	4 A/T	2,900	1,803	5,700	1,907
GL-R Double Cab Utility	5 M/T	2,900	1,931	5,700	969
	4 A/T	2,900	1,939	5,700	961
GLX-R Double Cab Utility	5 M/T	2,930	1,980	5,700	950
	5 A/T	2,930	1,995	5,700	935

*Payload includes occupants, fuel and fitted options (if any). The weight of these must be deducted from payload to determine actual load carrying capacity. Front and/or rear axle loads must not be exceeded.

Towing Capacity	Maximum Towing Capacity**	Maximum Towball Download**	Maximum Front Axle Load (kg)	Maximum Rear Axle Load (kg)
All models	3,000	300	1,260	1,800

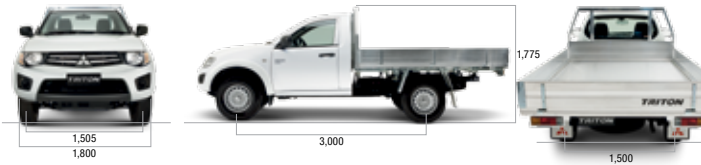
**Subject to state regulations and towbar design

Interior Dimensions	Front leg room (mm)	2nd row leg room (mm)	Front head room (mm)	2nd row head room (mm)
Single Cab models	915	-	914	-
Club Cab models	915	675	914	820
Double Cab models	915	810	914	868

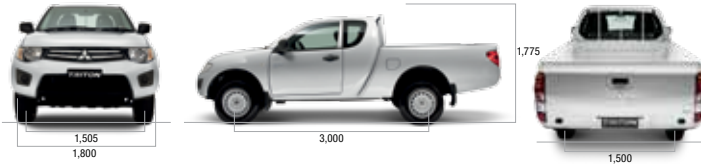
Seating Capacities	Single Cab	Club Cab	Double Cab
All Models	2	4	5
Models with bench seat option	3	-	-

Exterior Dimensions	GLX Single Cab	GLX/GL-R Club Cab	GLX Double Cab	GL-R Double Cab	GLX-R Double Cab
Overall height	1,775	1,775	1,780	1,780	1,780
Overall length – with pickup body fitted	5,030	5,210	5,210	5,285	5,389
Overall width	1,800	1,800	1,800	1,800	1,800
Ground clearance	200	200	205	205	205
Track – front	1,505	1,505	1,520	1,520	1,520
Track – rear	1,500	1,500	1,515	1,515	1,515
Wheelbase	3,000	3,000	3,000	3,000	3,000
Approach angle [degrees]	33	33	33	33	33
Departure angle [degrees] – with pickup body fitted	21	24	21	21	21
Ramp breakover angle [degrees]	27	27	27	27	27

GLX Single Cab Dimensions



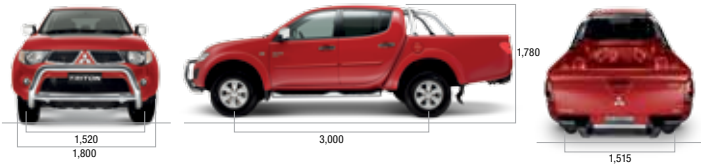
GLX/GL-R Club Cab Dimensions



GLX Double Cab Dimensions



GLX-R Dimensions

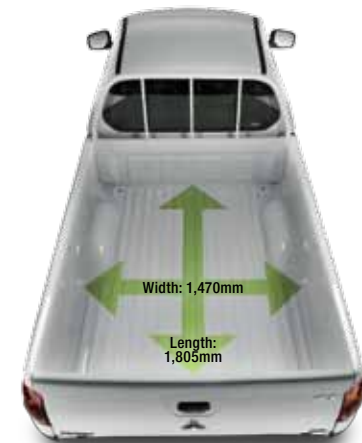


Cargo Bed (where fitted) (mm)	GLX Single Cab	GLX/GL-R Club Cab	GLX Double Cab	GL-R Double Cab	GLX-R Double Cab
Cargo bed – length	2,220	1,805		1,505	
Cargo bed – height	405			460	
Cargo bed – width				1,470	
Cargo bed – width between arches				1,085	
Cargo bed – floor height		845			850

Double Cab Cargo Bed Dimensions



Club Cab Cargo Bed Dimensions



MITSUBISHI TRITON 4X4 – KEY FEATURES BY MODEL



GLX Single Cab

Mechanical

2.5L Hi-Power Common Rail Direct Injection Diesel
5 speed manual transmission
Easy Select 4WD
Power steering
Heavy duty suspension (GLX Single Cab only)
Engine cover
Engine under cover
Simple tool set & jack
Front recovery point

Cargo

Cab Chassis body style

Exterior

16" x 7" steel wheels (245/70R16 tyres)
Front mudflaps
Front skid plate
Body coloured bumper bars
Black grille with chrome bars
Body coloured fender flares

Comfort

Air conditioning
Side and rear window demisters
Driver's foot rest
Passenger assist grip
Steering column – tilt adjustable

Convenience

Cruise Control
Room lamp
Door courtesy lamps (all doors)
Cigarette lighter
Ashtray
Power mirrors

Central locking with remote keyless entry
Power windows – with driver auto down function
Front wipers with 2 speeds and variable intermittent
Headlamps "ON" audible warning buzzer
Instrument lamp variable dimming control
Digital clock in headlining – Excluding GLX-R
Analogue instrumentation includes – Speedometer with tripmeter; tachometer, fuel & water temperature gauges
Low fuel warning lamp
4WD indicator lamp

Storage

Glove compartment – illuminated and lockable
Storage pocket in doors (2)
Bottle holders (2)
Centre console storage box

Interior

Vinyl floor covering

Seating

Front sports seats with slide & recline function (driver & passenger) & driver's height adjustment
Seat trim – cloth (dark grey)
Convenience hook

Audio & Media

Bluetooth® hands free phone operation¹
AM/FM Radio/CD Tuner with MP3 compatibility
Aux In
USB and iPod control
Speakers (2)

Safety & Security

Driver & passenger SRS airbags
ABS with EBD
Active Stability Control (ASC)
Active Traction Control (ATC)
Side door impact beams
Child restraint anchorage
Halogen headlamps
Illuminated hazard switch
Driver & front passenger seat belt pretensioners
3 point Emergency Locking Retractor (ELR) seatbelts (all seating positions)
Fuel lid opener – key locked – Single Cab only
Steering lock
Engine immobiliser
Seatbelt warning lamp with timer
Diamond Advantage Roadside Assistance
Smart Brake (Brake Override System)

Options

Cab-Chassis Options

Front seat split bench with driver side slide & recline (increasing seating capacity to 3)²
Diff Lock



GLX Club Cab

(Features Additional to GLX Single Cab)

Cargo

Pick Up body style
One touch tailgate handle
Rear window guard
Link type tailgate stopper

Convenience

Accessory power socket
Coat hook
Remote fuel filler release

Storage

Cup holders

Safety

Front seatbelts height adjustable shoulder anchorages

Options

Pick up & Cab-Chassis

Diff Lock



GLX Double Cab

(Features Additional to GLX Club Cab)

Comfort & Convenience

Passenger assist grips (3)
Rear centre armrest with cup holder

Seating

Rear seat headrests(3)
Convenience hooks (2)

Safety & Security

Child proof rear door locks

Storage

Bottle holders (4)
Seat back pocket

Audio & Media

Speakers (4)

Options

Pick Up & Cab-Chassis

Side & curtain airbags
Side & curtain airbags + diff lock

Pick up only

16" alloy wheels + side steps (platform type)

GL-R Club Cab & Double Cab

(Features Additional to GLX Double Cab)

Exterior

16 x 7" Alloy Wheels (245/70R16 111S RF tyres)
Sports Bar
Rear Step
Rear body guard frame less
Tailgate mounted high mounted stop lamp
Side Steps (platform type)
Honeycomb grille with chrome surround

Interior

Leather bound steering wheel
Leather bound gearshift lever (manual transmission)
Leather bound 4WD transfer-shift lever
Titanium look instrument panel & surrounds
Carpet floor covering

Options

Club Cab

Pick up & Cab Chassis

Diff Lock

Double Cab

Cab Chassis body

Double Cab Pick up

Side & curtain airbags
Side & curtain airbags + diff lock

GLX-R Double Cab

(Features Additional to GL-R Double Cab)

Mechanical

5 speed Sports Mode auto transmission (optional)
Super Select 4WD

Exterior

17" alloy wheels (245/65R17 111S RF tyres)
Nudge bar
Wire type gate stopper
Chrome door mirrors
Chrome exterior door handles
Body coloured tailgate handle
Fog lamps
Privacy glass
Side steps (tube type)
Side protection mouldings

Interior

Passenger side vanity mirror
Chrome interior door handles

Seating

Seat trim – sports cloth (black)

Comfort & Convenience

Automatic air conditioning
Ticket holder (driver side sunvisor)
Map lamps with sunglass pocket
Illuminated ignition key
Rear power window
– with auto up and down function

Safety

Side & curtain SRS airbags

Audio & Media

Multi function display includes:

- clock with date
- outside temperature
- compass
- barometer
- altimeter
- trip computer with range to empty and average fuel consumption functions
- audio information

Speakers (6)

Steering wheel audio controls

Options

Pick Up Options

Diff Lock

Luxury Pack

- Leather seat trim with leather console
- Driver power seat with slide, height and recline
- Body coloured side protection moulding
- Diff Lock

¹Bluetooth® connectivity depends on your phone compatibility.

²Centre console with cup holders & 12V accessory socket, driver's seat height adjustment and passenger seat slide and recline is deleted when bench seat option is selected.

STYLE YOUR TRITON

Colours



RED



DARK BLUE (P)*



BLACK (P)



IRONBARK (M)**



WHITE



COOL SILVER (M)



CHARCOAL (M)*

METALLIC (M) AND PEARLESCENT (P)
PAINTS ARE OPTIONAL EXTRAS

* NOT AVAILABLE ON GLX

** AVAILABLE ON GLX-R ONLY

Interiors



GLX – CLOTH



GL-R – CLOTH



GLX-R – SPORTS CLOTH



GLX-R – LEATHER (OPTIONAL)



MITSUBISHI DIAMOND ADVANTAGE

†5 YEAR NEW VEHICLE WARRANTY ♦ ^5 YEAR ROADSIDE ASSIST
***CAPPED PRICE SERVICING ♦ CUSTOMER ASSIST ♦ 200+ DEALER NETWORK**
GENUINE SERVICE ♦ GENUINE PARTS ♦ INSURANCE ♦ FINANCE ♦ PRE-OWNED VEHICLES

†5 year or 130,000km New Vehicle Warranty (whichever comes first). Service conditions apply. *4 years or 60,000km Capped Price Servicing (whichever occurs first). Covers all items specified under the standard "Maintenance for normal operating conditions" scheduled detailed in the service and warranty booklet. Additional service/repair items (if required) are at additional cost. ^1 year Roadside Assist (Service conditions apply). For purchases of new Mitsubishi vehicles after 1st October 2012, your initial 12 month roadside assist will be extended for a period of 12 months from the date of the most recent eligible Capped Price Service for that vehicle performed at an authorised Mitsubishi dealer. Roadside assist, if extended in accordance with these items, is available for a maximum of up to 5 years. Conditions apply. Offer subject to change without notice. Excludes Government, Rental and National Fleet customers.

TRITON
GENUINE ACCESSORIES



love that car



TOUGH CHOICES

You can make your Triton even more useful with our range of Genuine Accessories. Ask your Mitsubishi dealer for the complete list and pricing today.

Mitsubishi Genuine Accessories go through an extensive program of design, development and then stringent testing to ensure they meet all applicable government standards as well as Mitsubishi's own rigorous engineering specifications and performance targets. Using Mitsubishi Genuine Accessories will ensure you get the best quality accessories that are both as durable and reliable as the Mitsubishi you drive.



Roof Rack



Side Bar



Sports Bar (3 Piece)



Sports Bar (1 Piece)



Vinyl Tonneau Cover



Luggage Pod



Luggage Carrier



4x4 Tailgate Sticker



Bonnet Protector (also available tinted)



16x7" Crusader Alloy Wheels



Chrome Tow Ball Cover



Tow Bar, Tow Ball - Double Cab with Rear Step



Tow Bar, Tow Ball - Double Cab without Rear Step



Weathershield



16x6" Viking Alloy Wheels

EXTERIOR



Driving Lights



Rear Protection Bar to suit Rear Step



Front Protection Bar – Alloy – Pedestrian Safe



Rear Protection Bar to suit without Rear Step



Front Protection Bar – Steel – Pedestrian Safe



Front Protection Bar – Alloy



Front Nudge Bar



Dust Seal Kit



Steel Cargo Separator



Hard Tonneau Cover (3 piece)



Hard Tonneau Cover – Open



Tonneau Cover Light with Remote Opening



Front Windscreen Decal



Mud Flap – Front



Hard Tonneau Cover (1 Piece)



Water Craft Carrier



Bike Carrier



Ski Carrier



TRAYS – ALUMINIUM AND STEEL



Drop Side Support Kit (A) (S)



Rear Ladder Rack Bow (A) (S)



Tool Box (A) (S)



Rear Window Protector (A) (S)



Water Tank (A) (S)



Rear Window Protector (A)



Service Box



Club Cab with Alloy Wheels and Steel Tray shown



Single Cab Aluminium Eco Tray shown

Aluminium Tray (A) Steel Tray (S)



Steel Galvanised Tray (painted in body colour optional)



Square Headboard (A) (S)



Tail Light Protector (A) (S)



Rope Rail Step 600mm (A) (S)



Wiring Guard (A) (S)



Angle Headboard (A)



Rear Rack Tube (A) also available in Polished Tube



Deep Step (A) (S)



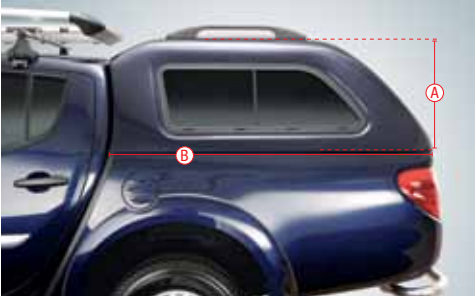
Double Cab Aluminium tray shown



Club Cab with Alloy Wheels and Aluminium tray shown

EXTERIOR - CANOPIES

High Line – Dimensions: A – 650mm, B – 1506mm, C – 1590mm, D – 1007mm



High Line Interior



Tilt Up Side Windows available on Trade and High Line only



Club Cab Canopy – Dimensions:

Trade Style Canopies		High Line Canopies	
A	599mm	A	670mm
B	1948mm	B	1950mm
C	1436mm	C	1445mm
D	1050mm	D	960mm

Trade Style – Dimensions: A – 550mm, B – 1506mm, C – 1590mm, D – 1200mm



Trade Style Interior



Sports Style – Dimensions: A – 565mm, B – 1506mm, C – 1590mm, D – 1180mm



Sports Style Interior



EXTERIOR



Tub Liner – Over Rail Style



Tub Liner – Under Rail Style



Under Body Protection – Front



Tub Liner



Spare Wheel Lock



Utility Box – Open



Utility Box – Closed



Side Protection Mouldings



Side Step (Illuminated)



Tub Mat Liner – Rubber

INTERIOR



Ash Cup



Alloy Foot Pedals (Manual only)



Bluetooth® Hands Free Kit



Outer Scuff Plates – Rear



Reversing Mirror/Camera



Outer Scuff Plates – Front



Seat Covers – Neoprene



Rubber Mats



Carpet Mats