

# PAJERO



love that car





Take a look at the luxury interior of the Pajero and ask yourself if this isn't how you want to enjoy your next on-road-off-road adventure.

Pajero Exceed Shown

As soon as you are behind the wheel of the Exceed, relaxing in the soft, luxurious leather seating, high above everyone else on the road, you'll get an imposing and impressive view of the road ahead. Every single detail within its refined interior reflects Pajero's design quality, it's silver and leather gearshift knob, meter detailing and the leather and wood steering wheel prove irresistible to the touch. And just looking at the dashboard is enough to make your pulse quicken, too.

For each of Pajero's row of seats, you'll find yourself stretching out and relaxing in plenty of space. There's not only a surprising amount of cargo room but other storage space, too – in one quick move,

you can easily transform from a 2 seat heavy load carrier to a 5-seat off-roader or a 7 seat luxury family transporter.

The Pajero's third row seats can be quickly stowed under the floor, leaving a flat loading base with generous cargo room height. The headrests can be stowed away under the seats to further maximise room. The third row can also be removed entirely to create an under floor storage compartment.

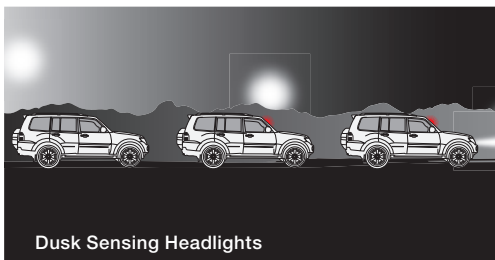
Pajero VRX and Exceed boasts dusk sensing headlamps and rain sensing wipers which help you stay focused on the road at all times.

A sensor automatically sends a signal to your headlights that turn on when it gets dark or when you're travelling through a tunnel. The same sensor also detects moisture on the windscreen then activates the wipers at the appropriate speed and according to the amount of rain present.

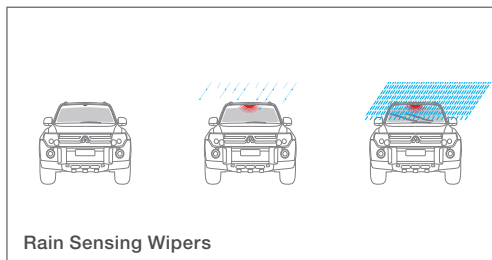
Pajero demands an engine with enough strength and muscle to conquer all punishing terrains. Pajero can also pull an impressive 3 tonnes. An advanced 3.2 litre Common Rail Direct Injection Diesel (DiD) engine gives the Pajero the power to go anywhere, quickly, smoothly and quietly and is available in both manual and automatic transmissions.

Standard in all models, while Exceed also offers a powerful 3.8 litre V6 MIVEC petrol engine. Pajero offers a choice of intelligent transmissions perfectly matched to your preferred driving style. A smooth-shifting 5 speed, all synchromesh manual gearbox is available on the turbo diesel and delivers ultimate hands-on driving experience.

Or, if you prefer automatic, the INVECS II 'Smart Logic' 5-speed automatic transmission with Sports Mode available with the 3.8 litre V6 or the turbo diesel will be sure to provide the control you need.



Dusk Sensing Headlights



Rain Sensing Wipers



Flexible Seating

The Pajero doesn't just look ultra protective and tough – it is. Sitting high up in the Pajero's driving position provides you with a clearer view of obstacles on the road. Pajero's improved brake performance and Active Stability and Traction Control with Brake Assist system provide a reassuringly safe drive.

All seats are equipped with three-point seatbelts with ELR (Emergency Locking Retractor) and in the event of a collision Pajero not only has dual-stage front driver and passenger SRS airbags but also side airbags and curtain airbags for ultimate protection.

Next-generation communications and entertainment technology have been incorporated inside the cabin to enhance your Pajero journey. Sit back and enjoy.

At the heart of Pajero's entertainment console lies a Rockford Fosgate® premium audio system featuring 12-surround sound speakers including integrated



10 inch subwoofer powered by a 860 watt amp.

And with the help of satellite navigation in the impressive Mitsubishi Multi Communication System (MMCS) you can be guided by clear, turn-by-turn directions shown on the high definition 7" WVGA touch screen. And as soon as you engage reverse, the screen displays the images taken by the rear view camera, making tight-space parking effortless. VRX and Exceed only.

In models without MMCS, the camera's view will appear in the electrochromatic rear view mirror. Combined with reverse parking sensors that alert you when objects get a little close, parking your Pajero is easy.

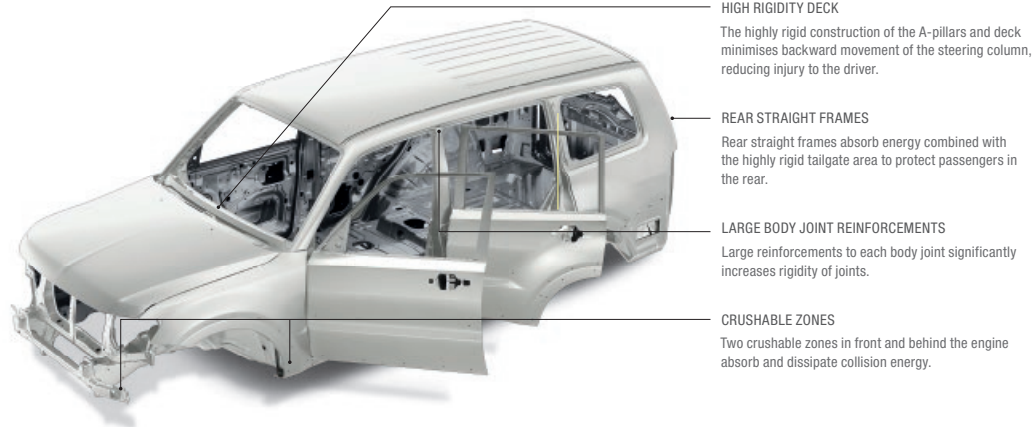
Rear seat passengers in Exceed can also enjoy sophisticated in-car entertainment, with their very own DVD player and 9" full-colour screen. Game console compatible it includes two infrared cordless headphones allowing passengers to watch a DVD, while driver and front passenger can listen to music, or simply tune out and take in the surrounding scenery.



For more information on the Pajero range scan the QR code or visit [mitsubishi-motors.com.au](http://mitsubishi-motors.com.au)

### RISE Monocoque Body

Mitsubishi's RISE (Reinforced Impact Safety Evolution) monocoque body system with integrated chassis is a highly rigid one-piece shell. In the event of an accident, the super-strength cabin's impact-absorbing crushable zones minimise impact to passengers. Reinforced critical points increase stability for handling and the RISE body also provides strength for recovery and towing.



#### HIGH RIGIDITY DECK

The highly rigid construction of the A-pillars and deck minimises backward movement of the steering column, reducing injury to the driver.

#### REAR STRAIGHT FRAMES

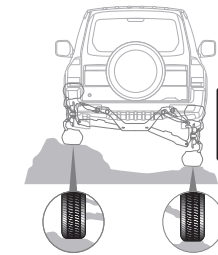
Rear straight frames absorb energy combined with the highly rigid tailgate area to protect passengers in the rear.

#### LARGE BODY JOINT REINFORCEMENTS

Large reinforcements to each body joint significantly increases rigidity of joints.

#### CRUSHABLE ZONES

Two crushable zones in front and behind the engine absorb and dissipate collision energy.



### INDEPENDENT MULTI-LINK REAR SUSPENSION

Pajero boasts independent multi-link with coil springs combined with increased suspension travel and track. The result is maximum tread contact on rough terrain and a reduction in understeer.

### SUPER SELECT 4WD II

Let's you alternate between 2WD and 4WD modes – the choice of around town fuel efficiency and off-road traction. You can change between modes at speeds of up to 100 kilometres per hour on any surface.



#### 2H (2WD High Range)

Whether you're cruising down the highway or just going across town, 2H mode shifts you into rear-wheel drive for smooth, quiet, fuel-efficient performance.



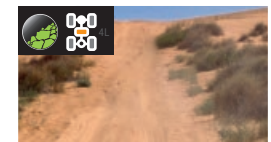
#### 4H (Full-Time 4WD)

When the weather turns bad and the road gets rough, get added traction in 4H mode. The dynamic front/rear torque split adjusts between 33:67 and 50:50 for greater control in high-speed driving.



#### 4HL (4WD High Range with Locked Centre Differential)

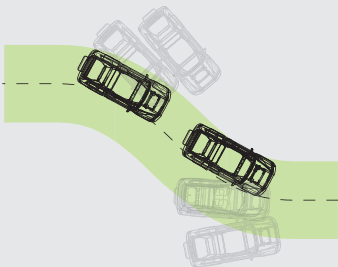
Keeping you on track in rugged or slippery conditions, 4HL distributes power equally to all four wheels to meet off-road challenges with a steady sense of control.



#### 4LL (4WD Low Range with Locked Centre Differential)

Switch to 4LL when you need all the tractor-like crawling power your Mitsubishi 4WD is capable of. Maximised low-end torque pulls you through even the roughest terrain to get to that isolated spot that only a truly capable 4WD can take you.

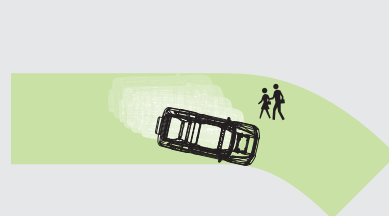
### ASC



#### Active Stability Control (ASC)

Maintains stability and control when cornering, by automatically recognising under-steer and over steer. It applies brakes to the appropriate wheels to keep you online through corners.

### ABS



#### Multi-Mode Anti-Lock Braking System (ABS)

Pajero's intelligent 4-channel, 4-sensor braking system monitors wheel speeds and activates brakes to individual wheels to allow superior manoeuvring around objects under heavy braking conditions.



#### Towing Capacity

Pajero's impressive power and torque provides a 3,000kg towing capacity making towing a boat, caravan or trailer on your next holiday adventure a breeze.



## Pajero GLX (Key Features)

### Mechanical

3.2L High Power Common Rail Direct Injection Diesel  
 5 speed manual transmission  
 5 speed Sports Mode automatic transmission with INVECS II  
 Smart Logic – optional  
 Super Select II 4WD (Full Time 4WD including selectable 2WD mode)  
 All Wheel Control (AWC)  
 Centre differential with viscous coupling unit  
 Rear differential lock  
 Synchronised auto front free wheeling differential  
 Power steering  
 Front & rear recovery points  
 Front skid plate  
 Fuel tank protector

### Exterior

17" 7 spoke alloy wheels  
 Body coloured bumper  
 Body coloured bodyside and tailgate cladding  
 Body coloured wheel arch flares  
 Rear fog lamp  
 Mudflaps – rear  
 Roof rails  
 Secure sports spare wheel cover

### Interior

Aluminium print accent panel  
 Leather bound steering wheel  
 Leather bound gearshift knob, transfer lever and park brake lever  
 Chrome inner door handles  
 Inner scuff plates  
 Carpet floor covering

### Comfort

Climate control air conditioning with digital display  
 Rear seat heater ducts  
 Pollen filter  
 Tilt adjustable steering column  
 Side and rear window demisters  
 Driver foot rest  
 Passenger assist grips

### Convenience

Cruise control  
 Steering wheel cruise, audio and phone controls  
 Central door locking (including tailgate) with remote keyless entry  
 Power windows – front and rear (driver auto up-down function) with safety system  
 Power door mirrors with fold control  
 Variable intermittent windscreen wipers  
 Intermittent rear wiper and washer  
 Accessory power sockets (3)  
 Front map lights  
 Cargo room lamp  
 Rear passenger reading lamps  
 High-rise front centre armrest with forward adjustable slide position  
 Retractable passenger assist handles (4)  
 Sunvisor with extensions and illuminated vanity mirrors with lid (driver side ticket holder)  
 Remote fuel filler release

### Storage

Glove box with shelf – illuminated and lockable  
 Centre storage console with upper and lower compartments  
 Door pockets – front and rear  
 Cup holders (6)  
 Sunglass pocket  
 Luggage tie-down hooks (4)  
 Seat back pocket – passenger  
 Underfloor storage compartment

### Seating

Fabric seat trim  
 Front and rear seats fold flat  
 Front seats
 

- Slide, recline and dual height adjuster for driver's seat height and tilt adjustable headrests
- Access support grips (2)

 Second row seats
 

- 60:40 split folding function
- Centre armrest with cupholders
- Height adjustable headrests

### Audio & Media

AM/FM radio/CD/MP3 player  
 6 speakers (including 2 tweeters)  
 Bluetooth® 2.0 phone connectivity and audio streaming with voice control\*  
 Audio and USB input  
 Multi-function display – trip computer, compass, altimeter, barometer, outside temperature, date and time.

### Safety

Driver and passenger SRS airbags  
 Side and curtain SRS airbags  
 Active Stability Control (ASC)  
 Active Traction Control (ATC)  
 Multi-mode Anti-lock Braking System (ABS) with Electronic Brakeforce Distribution (EBD)  
 Smart Brake  
 Engine Brake Assist Control (EBAC)  
 Reinforced Impact Safety Evolution (RISE) body  
 Side door impact beams  
 Electrochromatic mirror with reverse camera  
 Front seatbelt pretensioners & force limiters  
 Child proof rear door locks  
 Child restraint anchor points (3)  
 High mount stop lamp on rear door  
 Seatbelt warning buzzer

### Security

Theft protection alarm  
 Anti-theft encrypted engine immobilisation  
 Auto relock function for central door locking  
 Cabin illumination on unlock and key removal  
 Diamond Advantage Roadside Assistance

\* Bluetooth® phone connectivity depends on your phone



## Pajero GLX-R (Features additional to GLX)

### Exterior

Body coloured door mirrors  
 Body coloured door handles  
 Rear roof spoiler  
 Front fog lamps  
 Side steps

### Comfort

Front and rear zone air conditioning controls  
 Rear air conditioning ducts

### Seating

Third row seats (removable)
 

- Front facing reclining bench seat (3rd row seats)
- Folding stow away function
- folds flat into underfloor compartment
- Height adjustable headrests
- Retractable passenger assist grip (2)



## Pajero VRX (Features additional to GLX-R)

### Exterior

Door mirrors with integrated turn indicator, demister and paddle lamp  
 18" alloy wheels  
 Chrome grille  
 Mudflaps – front and rear  
 Privacy glass  
 Headlamp washers

### Convenience

Automatic rain sensing wipers  
 Automatic dusk sensing headlamps

### Seating

Front seats
 

- Power drivers seat
- Power passenger seat
- Heated seats

### Audio & Media

Mitsubishi Multi Communication System featuring 7" WVGA touch screen display with 3D navigation mapping and SD Card input

### Safety

Reversing camera  
 Reverse parking sensors  
 Turn light in exterior rear view mirror  
 Exterior rear view mirror demister

### Security

Cargo blind

## Pajero Exceed (Features additional to VRX)

### Mechanical

3.8L V6 SOHC 24 valve MIVEC Petrol or  
 3.2L High Power Common Rail Direct Injection Diesel

### Exterior

Chrome door mirrors  
 Chrome door handles  
 Chrome side protection mouldings  
 High Intensity Discharge (HID) headlamps with auto levelling

### Interior

Wood and leather steering wheel  
 Alloy sports pedals  
 Woodprint accent panel  
 Leather seat trim

### Comfort

Electric sunroof with slide and tilt (optional)

### Audio & Media

Rockford Accoustic Design premium audio with 12 speakers (including subwoofer)  
 Rear seat entertainment system with remote control and headphones (2 sets)

### Security

Premium security alarm with sensor system



To see our full range of Pajero accessories visit [mitsubishi-motors.com.au](http://mitsubishi-motors.com.au)



Alloy Nudge Bar



Alloy Front Protection Bar



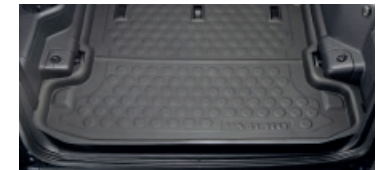
Towbar Package with towball option



Weight Distribution Hitch



Carpet Mats



Cargo Liner - Hard Plastic

## ACCESSORIES FOR ADVENTURE

Before you head off on your next trip, get down to your Mitsubishi dealer and spend some time exploring our comprehensive list of Pajero accessories or visit [www.mitsubishi-motors.com.au](http://www.mitsubishi-motors.com.au) for the complete list available to help you enjoy that great adventure.

Mitsubishi Genuine Accessories go through an extensive program of design, development and stringent testing to ensuring they meet all applicable government standards as well as Mitsubishi's own rigorous engineering and specifications and performance targets. Using Mitsubishi's Genuine Accessories will ensure you get the best quality accessories that are both as durable and reliable as the Mitsubishi you drive.



Front Skid Plate



Fog Lamp Protector



Headlamp Protector



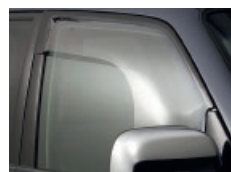
Steel Front Protection Bar



Alloy Front Protection Bar (Pedestrian safe)



Rear Roof Spoiler



Weathershields



THULE Luggage Carrier Basket (Aluminium)



Thule Ski Carrier



Chrome Door Handle Protectors



Chrome Door Mirror Covers



Driving Lights - Lightforce



Rear Parking Assistance Sensors



Hard Plastic Spare Wheel Tyre Cover - Half Size



Outer Scuff Plates - Stainless Steel (Front only)



Seat Covers (Neoprene)



Cargo Carpet Mat



Cargo Barrier



Rubber Mats

Pictures shown for illustration purposes and may not be product specific. Please check with your Mitsubishi dealer for specific model applications.

# COLOUR YOUR PAJERO



COOL SILVER (M)



WHITE



PITCH BLACK (P)



GRAPHITE (M)



CHAMPAGNE (M)



IRONBARK\*\* (M)



WARM WHITE\* (P)

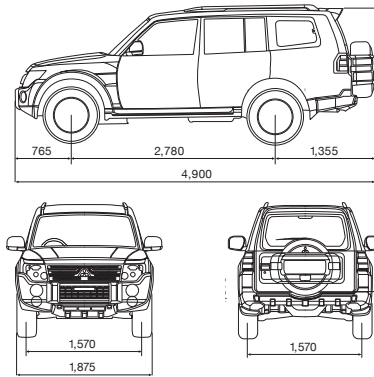
Four Wheel Drive Clearances	
Ground clearance	225mm
Fording depth	700mm
Approach angle (°)	36.6°
Ramp breakover angle (°)	22.5°
Departure angle (°)	25.0°
Climbing angle (°)	35.0°

\*Warm White not available on GLX, GLX-R or VRX.

\*\* Ironbark not available on GLX

METALLIC (M) AND PEARLESCENT (P) PAINTS ARE OPTIONAL EXTRAS

## Exterior Dimensions (mm)



## Key Specifications

	3.2L Intercooled turbo diesel	3.8L V6 MIVEC petrol
<b>Engine</b>		
Maximum power	147kW@3800rpm	184kW@6000rpm
Maximum torque	441Nm@2000rpm	329Nm@2750rpm
<b>Fuel Consumption* - ADR81/02 (Litres per 100kms) combined</b>		
Manual Transmission	8.4	-
Automatic Transmission	9.0	13.5
Fuel Tank Capacity (L)	88	88
<b>Maximum Towing Capacity<sup>1</sup></b>		
With trailer brakes (kg)		3,000
Without trailer brakes (kg)		750
Maximum towball download (kg) when towed weight is greater than 2,500kg		180
Maximum towball download (kg) when towed weight is 2,500kg or less		250

	GLX	GLX-R	VRX	EXCEED
<b>Gross Vehicle Mass (kg)</b>				
3.8L V6 A/T	-	-	-	2,920
3.2L DID M/T	3,030	3,030	-	-
3.2L DID A/T	3,030	3,030	3,030	3,030
<b>Kerb Mass (kg)</b>				
3.8L V6 A/T				2,250
3.2L DID M/T	2,283	2,324	-	-
3.2L DID A/T	2,273	2,314	2,325	2,347
<b>Cargo Area</b>				
Width (mm)	1,395	1,395	1,395	1,395
Width between wheel arches (mm)	1,030	1,030	1,030	1,030
Height (mm)	1,110	1,110	1,110	1,110
Cargo floor height from ground (mm)	740	740	740	740
Length with 3rd row seats folded (mm)	850	850	850	850
Capacity with 3rd row seats folded down (L)	1,081	1,081	1,081	1,050
Length with 2nd & 3rd row seats folded (mm)	1,430	1,430	1,430	1,430
Capacity with 2nd & 3rd row seats folded (L)	1,789	1,789	1,789	1,758

1. Subject to state regulation and towbar designs. A Weight Distribution Hitch (WDH) is recommended for towball downloads exceeding 135kg. For further information, please refer to the Pajero owners manual.
2. These figures are obtained from controlled tests conducted by Mitsubishi Motors Australia to Australian Design Rule ADR81/02 and are provided to assist you in comparing the fuel consumption of Pajero with other vehicles.

## Interiors



GLX/GLX-R – Fabric



VRX – Sports Cloth & Leather



EXCEED – Dakar Leather



EXCEED – Paris Leather\*  
Not available with Graphite or Cool Silver body colour



# MITSUBISHI DIAMOND ADVANTAGE

**†5 YEAR NEW VEHICLE WARRANTY ♦ †5 YEAR ROADSIDE ASSIST**  
**\*CAPPED PRICE SERVICING ♦ CUSTOMER ASSIST ♦ 200+ DEALER NETWORK**  
**GENUINE SERVICE ♦ GENUINE PARTS ♦ INSURANCE ♦ FINANCE ♦ PRE-OWNED VEHICLES**

†5 year or 130,000km New Vehicle Warranty (whichever comes first). Service conditions apply. \*4 years or 60,000km Capped Price Servicing (whichever occurs first). Covers all items specified under the standard "Maintenance for normal operating conditions" scheduled detailed in the service and warranty booklet. Additional service/repair items (if required) are at additional cost. †1 year Roadside Assist (Service conditions apply). For purchases of new Mitsubishi vehicles after 1st October 2012, your initial 12 month roadside assist will be extended for a period of 12 months from the date of the most recent eligible Capped Price Service for that vehicle performed at an authorised Mitsubishi dealer. Roadside assist, if extended in accordance with these items, is available for a maximum of up to 5 years. Conditions apply. Offer subject to change without notice. Excludes Government, Rental and National Fleet customers.

Always consult your authorised Mitsubishi Dealer for the latest details on specifications, options, prices, availability and conditions on New Vehicle warranty. All product illustrations and specifications referred to herein are believed to be correct at the time of publication approval. Subject to any applicable Federal, State or Territory Laws or ordinances, which may apply from time to time, Mitsubishi Motors Australia Limited reserves the right, without notice, or obligation, to discontinue or make changes to designs, specifications, colours and materials of the options and products referred to herein at any time without incurring any liability to any purchaser thereof. © Mitsubishi Motors Australia Limited. ABN 53 007 870 395 PAJ1112 MIT4562