



ANCAP
Safety ★★★★★



The Power to Surprise

pro_ceed'd **GT**



GT-Tech model shown



The new Kia pro_cee'd GT Driving reloaded >>>

Reboot your thinking.

Shed the old mindset. Sounds familiar?

Enter our latest addition to the Kia family, the pro_cee'd GT.

Its personality is athletic to the bone. With unashamedly sporty styling inside and out, plus a roaring 150kW 1.6-litre Turbo GDI engine at its heart, you'll enjoy the most powerful Kia hatchback ever to hug the roads.

Meet the new pro_cee'd GT and rediscover sporty driving

GT-Tech model shown

GT-Tech model shown

pro_cee'd GT >>>>

GT performance technology

> Fast-forward fulfilment

Plenty of oomph from
0 to 100 km/h and
beyond

Hairs on end, restless, a smile that's hard to shift
- the GT does wonders for your state of mind.

The trigger? The all-new 150kW 1.6 Turbo GDI engine

It produces 265 Nm via the sophisticated 6-speed manual transmission, reaching 0 to 100 km/h in just 7.7 seconds. Top speed is a solid 230 km/h. They're impressive specs, and they're matched by an impressive sound - emitted by the bold dual exhaust pipes. As you'd expect from a car with these athletic credentials, the powerful GT engine is paired with a sporty suspension, ensuring the chassis stays glued to the road wherever you're headed.





GT-Tech model shown



**Geared to go: the stunning 18"
alloy wheels with red callipers**

pro_cee'd GT >>>

GT design

> Cool, calm and calculated

Coupé-style forward edging shape, sports bumpers on front and back, 18" alloy wheels and large brake discs with red callipers, a unique grille sporting the GT badge - the new pro_cee'd GT has all the styling fit for an athlete.

So take a break, relax and enjoy the view before you embark on a thrilling ride.



GT-Tech model shown

pro_ceed GT >>>>

GT design

> Turbocharge your style

The new GT redefines power dressing

LED lights front and back? Sure. Sports bumpers all-round? Yep. Dual exhausts? Of course. And in-between nothing but 3-door hatchback flair created by Kia's international design team in Germany.



GT-Tech model shown

Dual exhaust pipes:
a bold look to match
the sound of the engine




GT-Tech model shown

LED lights and sports bumpers:
all the must-haves for
a muscular appearance



Overseas model shown



Take command from your Recaro® seat
Designed for a more dynamic drive,
the seats are both stylish and
offer optimum support

GT-Tech model shown

Attention to detail, GT style:
the leather-clad steering wheel and
Recaro® seats with red stitching



Turn the 7" TFT LCD
cluster into a racing-
style speedometer:
simply press the GT
button on the steering
wheel to display torque
and turbo data



pro_ceed GT >>>>



GT Cockpit
> Over to you

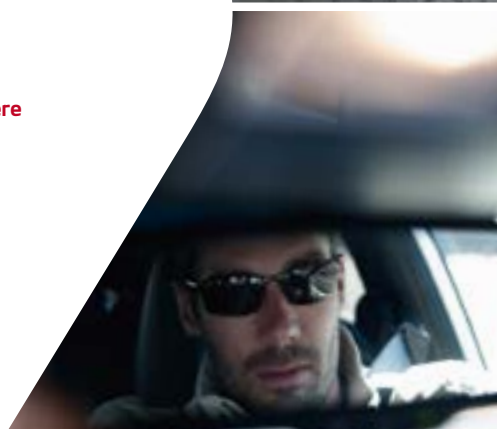
If sporty driving is your game, this is where you'll feel right at home

Slip into the Recaro® leather† and suede seats, switch on the engine and the high-definition instruments light up in true motor racing style.

Now engage the sporty leather gear stick and grab the perforated leather steering wheel featuring red stitching - it's time to hit the alloy accelerator pedal.

The GT doesn't just look great, it feels fantastic too. The ergonomic Recaro® seat features power lumbar support, essential for tight corners in the city and further afield.

†Leather trim includes some leather-like material on selected high impact surfaces.





pro_cee'd GT
exterior dimensions
(mm):

GT exterior paint options & technical specifications

➤ **The finer details
of pro_cee'd GT driving**

**What's underneath the Deluxe White bonnet?
Or should that be Black Pearl?**

GT power train:

Engine model	1.6 I Petrol Turbo GDI
Engine type	Four-cylinder GDI
Displacement	DOHC 16-valve
Manual transmission	6-speed

GT performance:

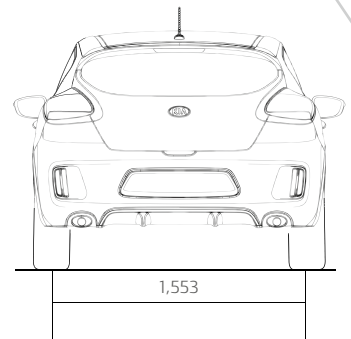
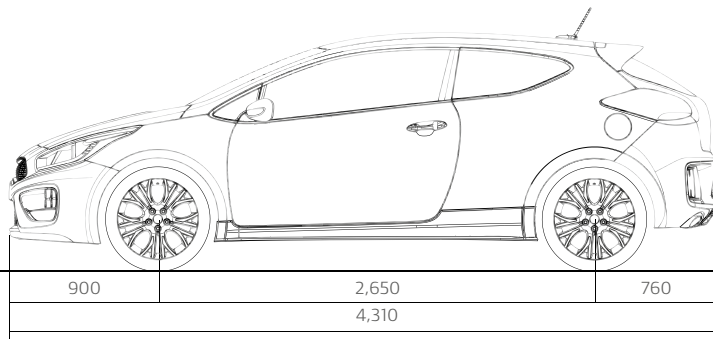
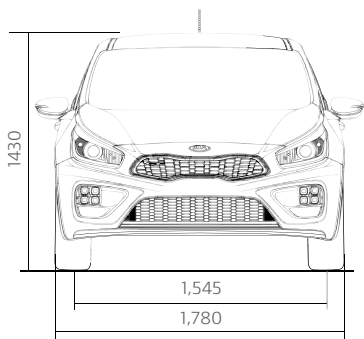
Max. power (kW/rpm)	150 @ 6,000
Max. torque (Nm/rpm)	265 Nm @ 1,750-4,500
Top speed (kph)	230 km/h

GT dimensions (mm):

Overall length	4,310
Overall width	1,780
Overall height	1,430
Wheelbase	2,650

All information and illustrations are based on data available at the time of publication and are subject to change without notice. Contact your local Kia dealer for current information





Deluxe White* (HW2)



Machine Silver* (95)



**18" Alloy Wheels with 225/40 ZR18
Michelin Pilot Sport 3 Tyres**



Track Red (FRD)



Black Pearl* (1K)



*Premium paint at additional cost.





Kia service & warranty

➤ Designed for high expectations

7-year vehicle warranty

Having passed rigorous tests for reliability and durability, we're proud to offer the pro_ceed GT with our industry-leading warranty. Every Kia pro_ceed GT benefits from a 7-year, unlimited km new vehicle warranty.

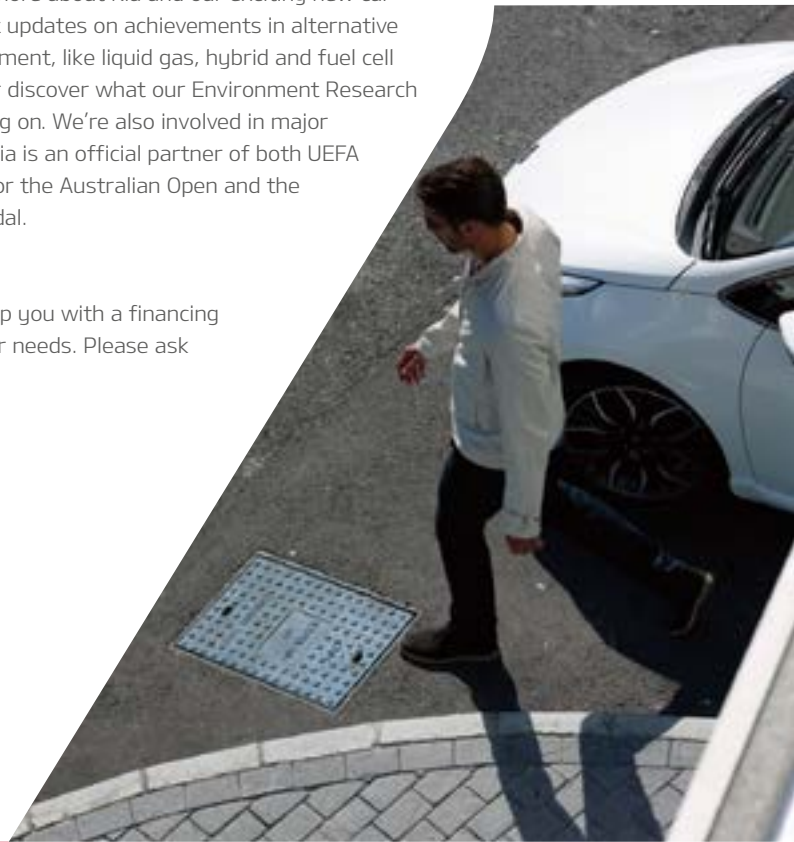
Stay in touch with Kia

Visit www.kia.com.au for all the latest news.

Find out more about Kia and our exciting new car range. Get updates on achievements in alternative fuel development, like liquid gas, hybrid and fuel cell technology. Or discover what our Environment Research Centre is working on. We're also involved in major sporting events: Kia is an official partner of both UEFA and FIFA. We sponsor the Australian Open and the tennis star Rafael Nadal.

Financing

Your local Kia dealer can help you with a financing plan that's best suited to your needs. Please ask for details.



pro_ceed GT >>>>



Kia Motors Australia
350 Parramatta Rd, Homebush, NSW, 2140

Phone 131 KIA (542)

www.kia.com.au

Kia is the newest and most exciting force of change in the automotive world and we are ready to change the way you feel and think about driving. More than just a promise, we are committed to making driving a true pleasure for customers across the globe. With youthful styling and the latest in advanced technologies, Kia cars are turning heads the world over with the power to surprise. From the Rio to the Sorento, Kia offers a full lineup of sedans, SUVs and MPVs that are not only practical but downright exhilarating to drive. Keep your eyes on Kia because our best has yet to come.

About Kia Motors Corporation

Kia Motors Corporation (www.kia.com.au) -- a maker of quality vehicles for the young-at-heart -- was founded in 1944 and is Korea's oldest manufacturer of motor vehicles. As part of the Hyundai-Kia Automotive Group, Kia aims to become one of the world's premier automotive brands. Over 2 million vehicles a year are produced in 13 manufacturing and assembly operations in eight countries which are then sold and serviced through a network of distributors and dealers covering 172 countries. Kia today has over 44,000 employees worldwide and annual revenues of over US\$20 billion. It is the major sponsor of the Australian Tennis Open and an official automotive partner of FIFA -- the governing body of the FIFA World Cup. Kia Motors Corporation's brand slogan -- "The Power to Surprise" -- represents the company's global commitment to surpassing customer expectations through continuous automotive innovation.

Kia's unlimited km 7 year warranty. Note: 7 year/150,000km warranty for vehicles used for the following: rental vehicles, hire cars, taxis, courier vehicles, driving school vehicles, security vehicles, bus and tour vehicles. For full details, visit www.kia.com.au

