

 NEW THINKING.
HYUNDAI | NEW POSSIBILITIES.

iLoad Series II



Hello.

Welcome to Hyundai.

If you're new to us, we'd like to introduce you to a company which has become the world's fastest growing automotive brand.

We are obsessed with making visionary cars that are great to own and fun to drive. Our focus on the latest technology, the best safety features, and the highest quality engineering is the reason why so many people now choose Hyundai.

Each new Hyundai vehicle is the product of new thinking – of looking afresh and questioning the way things have been done in the past. And from new thinking comes new possibilities.

Enjoy the drive.

A lasting relationship with Hyundai iCare.

Owning a car should be an enjoyable, stress-free experience with service that doesn't end in the showroom. That's why every new Hyundai comes with iCare. For years now, Hyundai has been the market leader in customer care and after sales support. To put it simply, we're with you for the road ahead.

A warranty that goes the distance

Five years. 160,000 kilometres! It's a warranty idea that shows the belief we have in the manufacturing, quality, control, and design that's gone into your vehicle.

No unpleasant service cost surprises

With our Lifetime Service Plan², you'll always know the price of your next service before you pull into the service centre.

Should the unexpected happen, we'll be there

It's unlikely you'll run into problems while on the road. But if you do, it's nice to know that with our 24/7 Roadside Support Plan³ there's always someone on standby to get you up and running again.



iLoad Series II van shown in Creamy White



- 5 year/160,000km warranty:** For ultimate peace of mind, each Hyundai commercial use vehicle is backed by an impressive 5 year/160,000km warranty, whichever comes first.
- Lifetime Service Plan:** For the benefit of Hyundai owners, Hyundai provides online quotes, which specify the maximum price applicable for a vehicle's next scheduled maintenance service at a participating authorised Hyundai Dealer and using genuine Hyundai parts (where required). Online quotes are available at www.hyundai.com.au and apply for a stated effective period only and may change without notice after that effective period. Standard scheduled maintenance services are of limited scope. The benefit of online quotes is available for all Hyundai vehicles for their lifetime.
- Roadside Support Plan:** Complimentary 12 months Roadside Support when you purchase a new Hyundai passenger vehicle (excluding rental buyers). Further Roadside Support extensions are available, each for 12 months from the date of a scheduled maintenance service at a participating authorised Hyundai Dealer (unless vehicle is more than 108 months [9 years] from the original new car sale date, in which case entitlement to Roadside Support ends when vehicle reaches 120 months [10 years] from original new car sale date).

iLoad Series II

A tough new contender

With a choice of the 3-seater van or 6-seater crew van with cargo compartment, Hyundai has created a highly-functional commercial vehicle that's as versatile and accommodating as it is robust and reliable.

The iLoad Series II combines effortless practicality and precision engineering with advanced safety technology and enviable fuel economy in a mobile workplace that won't let you down. You can also select from a range of Hyundai Genuine Accessories to customise your iLoad Series II.

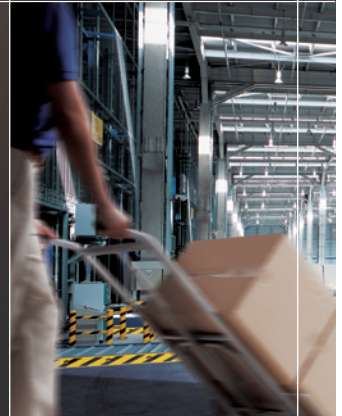
Load up your business...with the iLoad Series II



The iLoad Series II van and crew van set a new benchmark in commercial flexibility, passenger & cargo functionality, performance & reliability.



When size matters...
iLoad Series II
delivers
the goods.

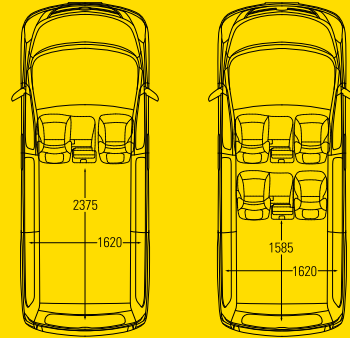


Room to Move

For operators requiring maximum carrying capacity, the 3 seater iLoad Series II van boasts plenty of usable cargo space (2.37m long, 1.62m wide and 1.34m high) large enough for two pallets, with a practical vinyl-covered flat floor.

Van functionality includes two sliding side doors as standard plus rear lift gate or optional twin swing doors for easy access, along with a centre seat that converts to additional storage when not needed for a third passenger.

For those wanting even more passenger space, the iLoad Series II crew van provides seating for up to six people whilst retaining a generous cargo compartment with plenty of room for a pallet or delivery items.



van

crew van

Space



Big on Safety

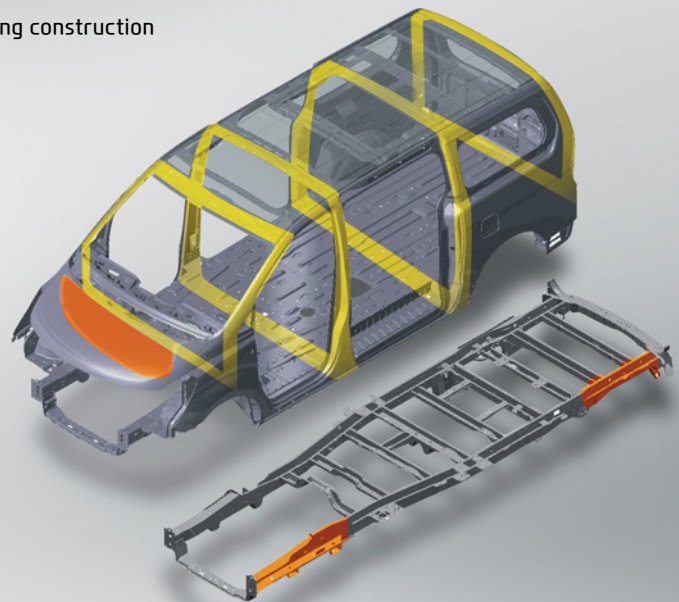
From the robust chassis and superior braking to the dual front and side airbag system and seatbelt pretensioners, the iLoad Series II has active and passive safety features that further demonstrate Hyundai's commitment to driver, passenger and cargo protection at all times.



- 4-Star ANCAP safety rating
- Rear view camera*
- 4 channel Anti-lock Braking System (ABS) with Electronic Brakeforce Distribution (EBD) and 4 wheel disc brakes
- Electronic Stability Control (ESC) and Traction Control System (TCS) with CRDi models
- Dual front and side airbags and height-adjustable front seatbelts with pretensioners
- Keyless entry + immobiliser + security alarm + central locking
- Semi-bonnet design
- Four-ring strengthened body with rigid cabin
- Impact absorbing crush zones front and rear

Protecting lives and your livelihood

4 ring construction



*Not available with twin swing doors.



Dual front and side airbags



Shown with optional twin swing doors - 180° access

Cabin Comfort

No matter what your task, you can do it in complete comfort in the iLoad Series II. You'll now enjoy a 7" touch screen audio system with Apple CarPlay™* & Android™ Auto^ compatibility which means all your music, phone features, maps, and more will be accessible to you at your fingertips. It's an intuitive way to stay focused on the road, while still enjoying your favourite technology. What's more, the iLoad has a reverse camera# for the ultimate in safety and convenience. All contained within a spacious, ergonomic cabin which also features air conditioning, power steering, power windows, mirrors, and handy cup holders.

The driver's seat is height adjustable, the steering wheel can be tilted and there are even easy to reach grab handles to make entering and exiting a breeze. For cabin security, we offer you a folding key, with separate lock and unlock remote buttons.



Overseas model shown



*Apple CarPlay™ requires iPhone 5® or subsequent model (lightning cable) in order to operate. Apple® and iPhone® are registered trademarks of Apple Inc.

^Android™ Auto functionality requires software update. Android™ Auto requires a device with Android 5.0 operating system or subsequent version, and USB cable in order to operate. Android is a trademark of Google Inc.

#Not available with twin swing doors.



iLoad Series II crew van interior

Diesel model shown



POWER

2.5 CRDi Diesel

- Max Power = 100 kW @ 3,800 RPM (manual)
125 kW @ 3,600 RPM (auto)
- Max Torque = 343 Nm @ 1,500 - 2,500 RPM (manual)
441 Nm @ 2,000 - 2,250 RPM (auto)
- Fuel Economy = 7.6 litres* (manual) per 100km
8.8 litres* (auto) per 100km
- Variable Geometry Turbo (VGT) on automatic transmission or Wastegate Turbocharger (WGT) on manual

Towing Capacity:

Manual – 2,000kg (braked)
– 750kg (unbraked)

Auto – 1,500kg (braked)
– 750kg (unbraked)

Maximum towball weight – 150kg

*Source: Australian Design Rule 81/02 static laboratory combined average city and highway cycle test. Real world fuel consumption will vary depending on a combination of driving habits, the condition of the vehicle, and other factors such as road, traffic and weather conditions. ADR 81/02 test results are meant for comparison purposes only.

Packaged to Perform

Engineered to handle the heaviest of loads, the iLoad Series II van tackles the most arduous of conditions with ease.

Macpherson Strut front suspension and heavy duty leaf spring rear suspension is positioned for optimal load-bearing, the 4-channel Anti-lock Braking System (ABS) acts on front and rear discs with a 10" booster for exceptional stopping power; and the Electronic Stability Control (ESC) with Traction Control System (TCS)^ work together to monitor engine response and help control wheel slippage in hazardous braking circumstances.

Available in either 6-speed manual or 5-speed automatic transmission, the high output 2.5L diesel engine delivers outstanding power and torque, while advanced technology ensures enviable technology and dependability.



2.5L CRDi Diesel

Give your Hyundai that personal touch. Hyundai Genuine Accessories

From roof racks and dash mats, to portable coolers and gear for your gadgets, with Hyundai Genuine Accessories you can mould your new iLOAD to your lifestyle.

All Hyundai Genuine Accessories are backed by a 5 year warranty if purchased at the time of a new Hyundai vehicle and fitted by an authorised Hyundai dealer.*



Tailored Rubber Floor Mats



Dash Mat¹



Rubber Cargo Mat²



Courier's Wooden Floor²



Cargo Barrier (single position
airbag compatible)³



Headlight Protectors



Tinted Stylevisors



Sliding Door Windows⁴



Towbar, Towball and
Trailer Wiring Harness⁵



Rear Park Assist Module &
Kit for Rear Step⁶



Portable Cooler 12V, 15L⁷



Grab Handles



Rear Park Assist Camera⁸



Full Technician Kit⁹



Rear Park Assist Module & Kit¹⁰



Commercial Roof Racks
(3 bar set)¹¹

1. Image used for illustrative purposes only. 2. Compatible for use with Anchor Mounts and the Genuine Hyundai Cargo Barrier. 3. 60kg rating. Only suitable for vehicles with side curtain airbags. 4. Recommended for windscreen/glass installer. 5. Maximum ball download 150kg. Towbar (1,500kg braked & 750kg unbraked – petrol and CRDI automatic) or (2,000kg braked & 750kg unbraked – CRDI manual). Towbar capacity subject to regulatory requirements, towbar design, vehicle design and towing equipment limitations. 6. Requires fitment of rear step with corner protector. 7. 12 volt 15 litre. Only suitable for use with retractable seatbelt. Different model shown. 8. Only available for Twin Sing. 9. Full Technician Kit = 125kg evenly distributed across 3 bars with secure lock function. Requires fitment of Hyundai Genuine Commercial Roof Racks. 10. Park assist is designed as a driver assist aid only and should not be used as a substitute for skilled driving and safe parking practices. While the park assist sensors monitor objects on approach, there may be occasions where blind spots affect the sensitivity of the sensors and as a result the area into which the vehicle is heading must be visually monitored by the driver at all times while parking. 11. Load Capacity = 100kg evenly distributed across 2 bars, 125kg evenly distributed across 3 & 4 bars with secure lock function.

*All Hyundai Genuine Accessories are subject to warranty conditions. See your nearest Hyundai Dealer or visit our website at www.hyundai.com.au for full warranty terms and usage recommendations. Accessories pictured are all sold separately at an additional cost.



Genuine Accessories



The iLoad Series II featured above is accessorised with a Full Technician Kit⁹, Commercial Roof Racks (3 bar set)¹¹, Headlight Protectors (set of 2), Tinted Stylevisors (set of 2), Towbar, Towball & Trailer Wiring Harness⁹, Technician Step, Sliding Door Windows and Alloy Nudge Bar. All sold separately at additional cost. Images used for illustrative purposes only.

iLoad Series II Colours & Finish

Exterior Colour

Creamy White
(YAC) – Solid

Timeless Black
(RB5) – Mica

Hyper Metallic
(P2S) – Metallic

Interior Colour

Woven cloth interior
Grey Two-tone (KD)



Colours are indicative only and may vary due to the printing process. Metallic and Mica paint are optional extras.

iLoad Series II Features



Rear view camera*



Dual front and side airbags



Tilt steering column
Steering wheel audio controls



Cruise control^



Folding remote key



6 seat crew van



Power windows and mirrors



7" touchscreen audio system



Dual glovebox with cooling in the upper compartment



Twin front door pockets



Air conditioning



12V power outlet



Rear wheel drive



Optional twin swing doors



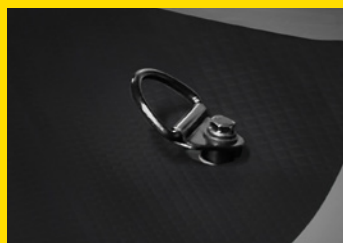
Vinyl cargo area floor covering



Height adjustable driver's seat



Apple CarPlay™# & Android™
Auto* compatibility



Tie down hooks



Overseas model shown
Two sliding doors for easy access

*Not available with twin swing doors.

^Only available in automatic transmissions.

#Apple Carplay™ requires iPhone 5th or subsequent model (lightning cable) in order to operate. iPhone® is a registered trademark of Apple Inc.

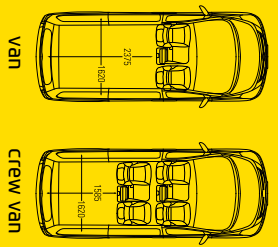
*Android™ Auto functionality requires software update. Android™ Auto requires a device with Android 5.0 operating system or subsequent version, and USB cable in order to operate.

Android is a trademark of Google Inc.

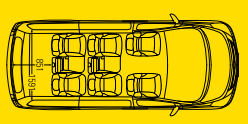


iLoad Series II van

iLoad Series II Crew van



iMax Series II



The Right Balance for your Business

If you're serious about:

- Selecting the right vehicle for your business
- Reducing your fleet's whole of life costs
- Reducing your fleet's environmental impact
- Providing a safer environment for your greatest assets, your employees

Make the right business decisions not the same decisions you've always made – consider the Hyundai Fleet Advantage!

The Smart Fleet Choice

Across the range, Hyundai saves you money. Exceptional fuel efficiency helps keep costs low, while our class-leading cost of ownership minimises off-road time and reduces service costs. For ultimate peace of mind, the iLoad is backed by an impressive Five Year 160,000 Kilometre Warranty*.

Hyundai Fleet Safety

Comprehensive passive and active technology is integrated into every model we manufacture. Utilising a global network of research and development centres of excellence, we design and deliver optimum occupant protection across our entire range of vehicles. This dedication of safety has resulted in Hyundai achieving high safety ratings, across our entire passenger car range.

Environmental Credentials

Hyundai is committed to working with you to achieve environmental sustainability through intelligent and informed fleet choices. Reducing your fleet size is not always an option, but making clever choices is. We can help you reduce your carbon footprint, and, by choosing from Hyundai's selection of vehicles offering low CO₂ outputs, you can reach your fleet emission reduction goals, meet Government targets and realise cost efficiencies for your business.

Whole-of-Life

Whole-of-Life is the calculation of the total projected cost of the operation and management of your fleet. Knowing and managing this data allows you to maintain budget expenditure projections, replacement provisions, and operational costs. You can depend on Hyundai's low Whole-of-Life costs to support your decision to choose us as your fleet partner, assist you to balance the fleet management equation and give you an advantage, the Hyundai Fleet Advantage.

***5 year/160,000km warranty:** For ultimate peace of mind, each Hyundai commercial use vehicle is backed by an impressive 5 year/160,000km warranty, whichever comes first.



NEW THINKING.
NEW POSSIBILITIES.

Hyundai Motor Company Australia Pty Ltd 394 Lane Cove Road, Macquarie Park, NSW Australia 2113 Hyundai Motor Company (HMC) and the Hyundai Motor Company Australia (HMCA) each reserve the right to alter vehicle specifications and equipment levels without notice. Some equipment featured on the cars in this brochure may not be available in Australia or may be optional. To the extent permitted by the law, neither HMC nor HMCA shall be liable to any person as a result of reliance on the content of this brochure. Please consult your Hyundai dealer for the latest specifications, equipment levels, options, prices, colours and vehicle availability. Metallic and mica paint are optional extras. Note: Information in this brochure is current as at 01/03/2017. HMCA11599 **Part No. T00317B**