



RENAULT
Passion for life

New
Renault MEGANE R.S.





Overseas model shown



Motorsports in its genes

The impressive New Renault MEGANE R.S.

A car built to awaken your driving instincts with four-wheel steering, and dynamic styling featuring a Formula 1 blade at the front and a wide rear diffuser. Sitting squarely on its 19-inch wheels, the front features LED lights with R.S. Vision. It includes a central exhaust, side extractor vents and a wide lip spoiler with exclusive Orange Tonic body colour, New Renault MEGANE R.S. is clearly designed for performance.









A sports cockpit

As soon as you see the interior - carbon grey with touches of red - you want to get behind the wheel. New Renault MEGANE R.S. invites you to take to the road, with sports seats, a leather steering wheel with red stitching* and personalisable dashboard. At the same time, the short gear shift** and aluminium pedals take you into a new dimension, that of R.S. sporting performance.

*Bovine leather. **Only in MT.





40 years of motorsports passion

Leaders in motorsports for 40 years, our engineers have track-tested the features on New Renault MEGANE R.S. Our pedigree is reflected in the 4CONTROL technology, working rear diffuser and launch control, among the countless legacies from the exceptional world of motorsport!



Nico Hülkenberg,
Renault Sport Formula One™ Team Driver



Efficiency and performance

New Renault MEGANE R.S. benefits from the know-how of Renault Sport in adapting motorsports technologies to production sports vehicles. It features in-car equipment on a par with the best in class and a range of driving aids for any type of road and any situation.

1. Suspension with hydraulic compression stops:

With the integration of four hydraulic compression stops, the shock absorbers absorb impact better. This technology delivers spectacular results in terms of progressive control, comfort and performance.

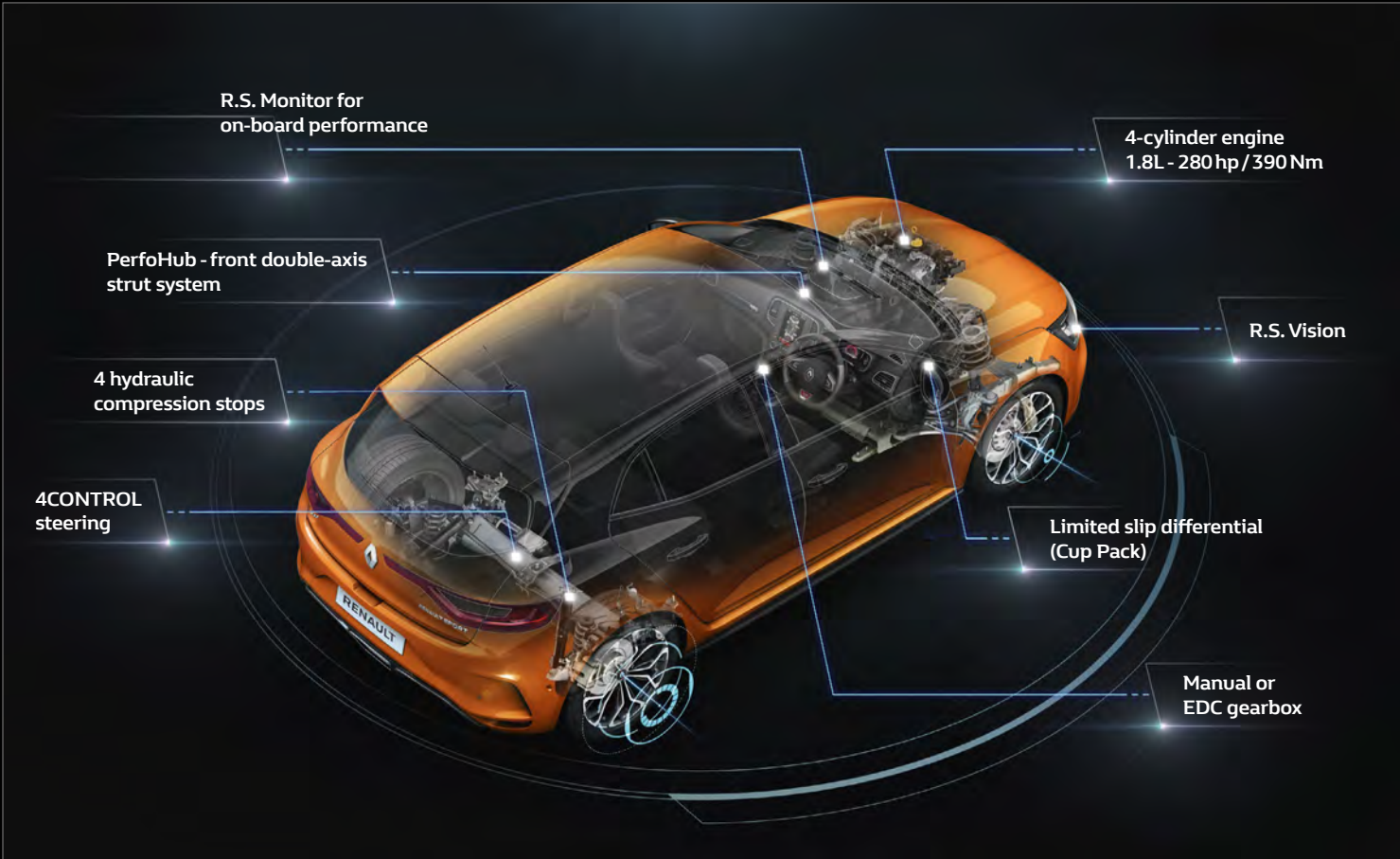
2. New Torsen® limited slip differential: associated with the Cup Pack, it has an asymmetrical transfer rate for acceleration and deceleration to improve acceleration power and cornering speed.



1.



2.



R.S. Monitor for on-board performance

4-cylinder engine
1.8L - 280hp / 390Nm

PerfoHub - front double-axis strut system

R.S. Vision

4 hydraulic compression stops

Limited slip differential (Cup Pack)

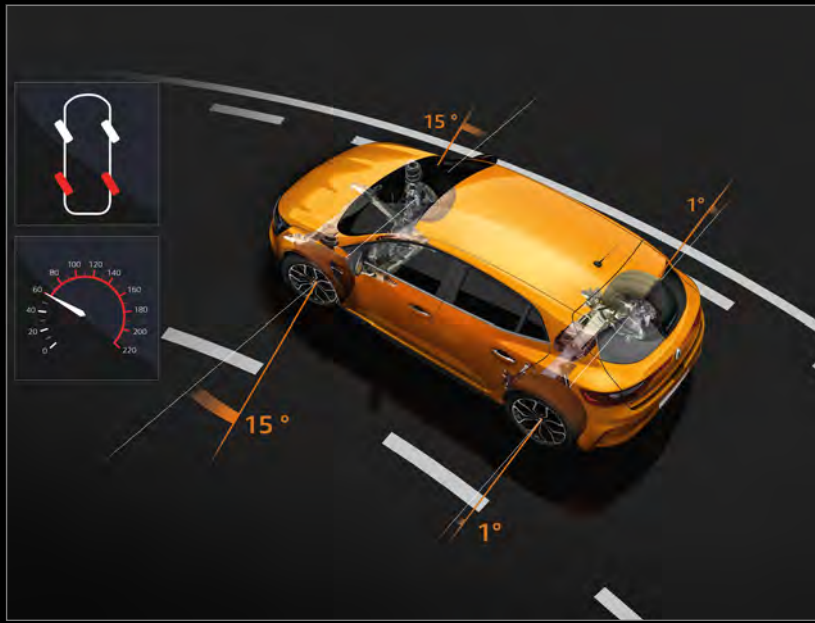
4CONTROL steering

Manual or EDC gearbox



Agility and Stability

4CONTROL technology contributes to incisive steering and optimised roadholding for a precise, surefooted drive. At low speeds, the system turns the rear wheels in the opposite direction to the front wheels. At speeds of over 60 kph (100 kph in Race mode), all four wheels turn in the same direction.

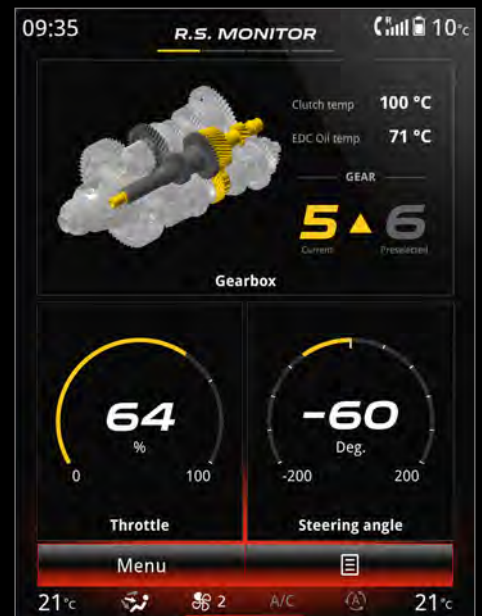
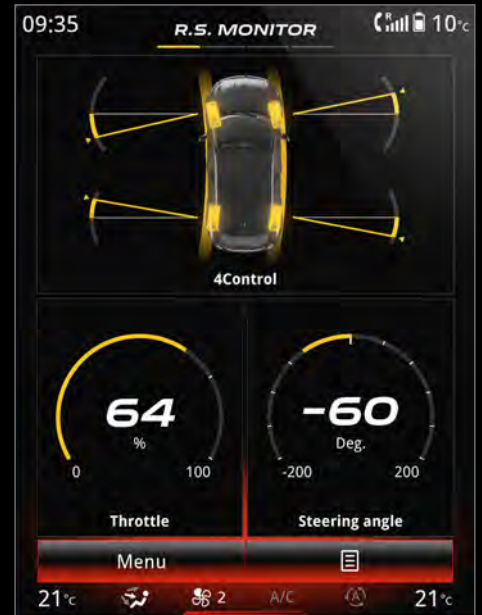






Real time telemetry

Your driving talents deserve to be recognised! The onboard R.S. Monitor stores your vehicle telemetry in real time on the 8.7" portrait touch screen. From 4CONTROL wheel angle to recommended gear changes for maximum engine performance - the New MEGANE R.S. keeps you ahead of the game.





Race mode, aim for pole position

Use R.S. Drive to select your driving mode (Normal, Sport and Race) to tighten up the gear changes, steering and accelerator sensitivity and relax the ESC at the click of a button.

Enjoy the excitement of a strong start with Launch Control for a breathtaking take off - available on EDC gearbox.



Launch control





Sporty and safe

With its many driving aids, New Renault MEGANE R.S. allies sporting performance with safety. It also features parking sensors, adaptive cruise control and emergency braking assistance.

1. R.S. Vision: groups the side lights, long-range headlights, fog lights and cornering lights, as part of a high-performance lighting package.

2. Blind Spot Warning: uses sensors on either side of the front and rear bumpers to warn you of a vehicle entering your blind spot.

3. Lane Departure Warning: activated at speeds of over 70 kph you are alerted if you cross a broken or unbroken line without activating your indicator.





Carlab



Chromo Zone MEGANE R.S. colours

Merchandise Convey a style anywhere you go

Creative workshop Interior ambiance and upholstery

Wheels An assured style

Dimensions Volumes and dimensioned drawings

Specifications Engine

Equipment & Options Full list

Accessories Options that help you stand out from the crowd

Colours

Orange Tonic (SM)



Liquid Yellow (SM)



Flame Red (M)



Glacier White (S)



Pearl White (M)



Titanium Grey (M)



Diamond Black (M)



S: Solid
M: Metallic
SM: Signature Metallic
Photos not contractual

Ambience



*optional alcantara upholstery shown

Renault Sport Technology

- 4CONTROL 4-wheel steering system
- Sport chassis with 4 hydraulic compression stops
- R.S. Drive activation button
- Renault MULTI-SENSE (choice of driving modes - 5 driving modes including Race mode)

Exterior design

- R.S. extended front wheel arches with air grilles
- R.S. extended rear wheel arches
- Custom front bumper widened with F1 blade and honeycomb front grille with R.S. marking
- Custom rear bumper widened with functional diffuser and central exhaust
- R.S. sills/skirt with flat bottom effect
- R.S. rear spoiler
- 19" Interlagos Diamond-effect alloys
- R.S. VISION Full LED 3 function headlights (fog, cornering, long range)
- PURE VISION Full LED front headlights with integrated C-Shape turn signal
- Diamond Black door mirrors
- New R.S. logo badge

Interior design

- Custom R.S. black harmony roof ceiling
- Chrome-plated Renault Sport front door sills
- Front and rear door panel ambient lighting
- Aluminium pedal unit and footrest
- Dark carbon R.S. fabric upholstery and red contrast stitching
- R.S. sports seats with integrated headrests
- R.S. Nappa perforated leather* steering wheel and gear lever knob with R.S. airbag cover
- R.S. dashboard and doors moulding

Comfort

- 1/3-2/3 folding rear bench seat
- Automatic rain-sensing windscreen wipers and dusk-sensing headlights
- Hands-free Renault card with remote locking
- Dual-zone automatic heating and air conditioning system with toxicity sensor and air recycling
- Electric, adjustable, folding door mirrors
- Driver's seat with lumbar adjustment
- Height-adjustable driver and passenger seats

Multimedia

- 12 V sockets at front and rear
- R-LINK2 connected multimedia system with vertical 8.7" touchscreen
- Arkamys 3D Sound system with 8 speakers, DAB/AM/FM radio, MP3, AUX, USB, and fingertip controls
- Phone replication: Android Auto® and Apple Carplay®

Safety

- Driver and passenger adaptive front airbags
- Pelvis/thorax side airbags for driver and front-seat passenger
- Front and rear curtain airbags
- Electronic stability control (ESC) and ABS with emergency brake assist
- LED indicators integrated into the door mirrors
- ISOFIX fastening system in rear side seats
- R.S. custom braking system
- 4CONTROL system with 4-wheel steering for increased safety
- Tyre pressure monitoring system

Driving Support Systems

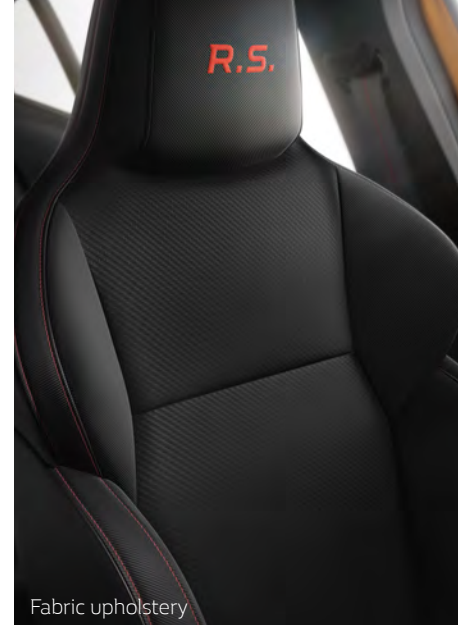
- Front and rear parking sensors
- Distance Warning
- Lane Departure Warning
- Rear-view camera
- Advanced Emergency Braking System (AEBS)
- Cruise control / speed limiter
- Blind Spot Warning
- Adaptive Cruise Control
- Easy Park Assist

*Bovine-sourced leather.

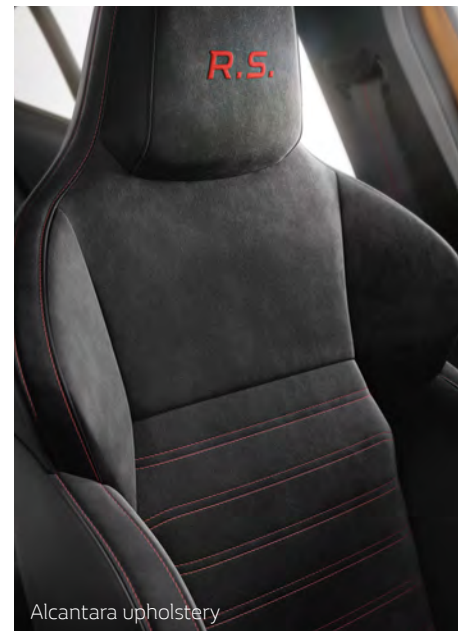
[BOOK A TEST DRIVE](#)

[FIND A DEALER](#)

Upholstery



Fabric upholstery



Alcantara upholstery

Wheels

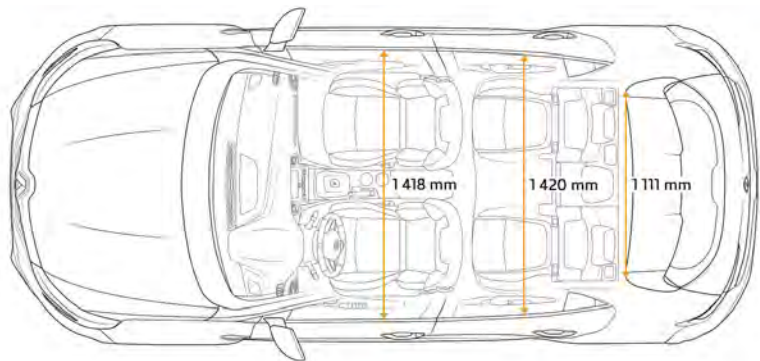
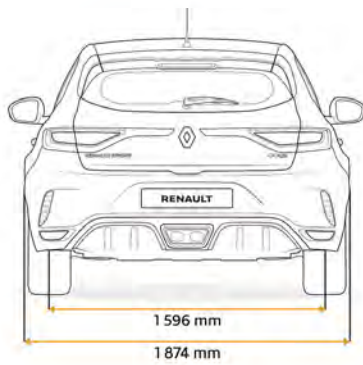
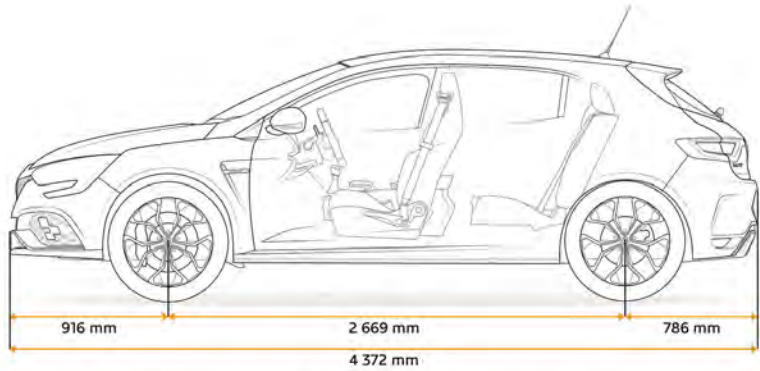
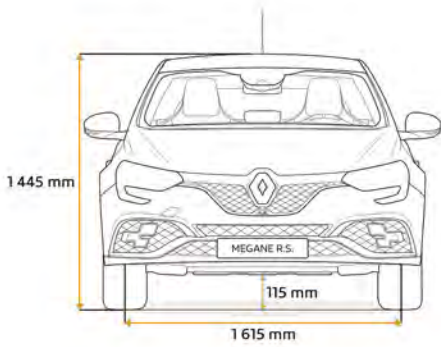


Interlagos - Full Black 19"
(Part of the Cup Pack)



Interlagos - Diamond-effect Black 19"

Dimensions





MEGANE R.S.

Specifications

	R.S. 1.8L Turbo 280 Manual	R.S. 1.8L Turbo 280 Automatic
Body type		Hatch
Seating capacity		5
ENGINES		
Capacity (cc)		1798
No. of cylinders/valves		4/16
Bore x stroke (mm)		79.7x90.1
Max. power (kW (hp) @ rpm)		205 (280) @ 6000
Max. torque (Nm @ rpm)		390 @ 2400
Fuel type (minimum)		Premium Unleaded 98 RON
Fuel injection type		Direct Turbo
TRANSMISSION		
Gearbox type	Manual Gearbox	Dual clutch EDC automatic gearbox
Number of gears	6	6
Speeds at 1000 rpm in: 1st gear	9.16	8.39
2nd gear	14.48	13.24
3rd gear	20.33	19.26
4th gear	27.48	26.35
5th gear	34.57	34.23
6th gear	41.84	41.85
7th gear	0	0
WHEELS		
Tyres	245/35 R19	245/35 R19
BRAKING (MM)		
Front (ventilated disk)	355 x 28	355 x 28
Rear (regular disk)	290 x 11	290 x 11
FUEL ECONOMY ASSISTANCE		
Eco mode	(integrated with Comfort mode)	(integrated with Comfort mode)
DRIVING ECO2	-	-
PERFORMANCE		
Max. speed (km/h)	255	255
0-100 km/h (seconds)	5.8	5.8
Drag area CdA (m2)	0.78	0.78
FUEL CONSUMPTION[^]		
Emission standard		Euro 5
Combined cycle (L/100km)	7.4	7.5
CO2 emissions (g/km)	168	169
Extra urban cycle (L/100km)	6.2	6.4
Urban cycle (L/100km)	9.5	9.2
CAPACITY (L)		
Fuel tank		50
WEIGHTS (KG)		
Kerb weight (unladen)	1427	1450
Maximum towing weight, braked	0	0
Maximum towing weight, unbraked	0	0
VOLUME (L)		
Boot volume		434
With rear seat bench folded down		1247

[^]Vehicle tested in accordance with ADR 81/02 based on combined cycle (city/highway). Actual fuel consumption and CO₂ emissions depend on factors such as traffic conditions, vehicle condition and how you drive.

Equipment & options

New Renault MEGANE R.S.

RENAULT SPORT TECHNOLOGIES	
4CONTROL 4-wheel steering system	●
Sport chassis with 4 hydraulic compression stops	●
Cup chassis with 4 hydraulic compression stops including Torsen limited slip differential, red brake calipers, custom springs/shock absorbers	○ (Cup Pack)
R.S. Drive activation button	●
Renault MULTI-SENSE (choice of driving modes - 5 driving modes including Race mode)	●
Multi-Change Down (advanced downshift system)	● (Auto only)
Aluminium steering wheel paddle	● (Auto only)
Launch Control standing start system	● (Auto only)
Dual-material brakes with aluminium bowl	○ (Cup Pack)
R.S. Monitor (real-time display of performance on R-LINK2 screen)	●
DESIGN	
EXTERIOR DESIGN	
R.S. extended front wheel arches with air grilles and Renault Sport marking	●
R.S. extended rear wheel arches	●
Custom front bumper widened with F1 blade, honeycomb front grille with R.S. marking	●
Custom rear bumper widened with functional diffuser and central exhaust	●
R.S. sills/skirt with flat bottom effect	●
R.S. rear spoiler	●
Rear LED 3D Edge Light daytime running lights, always on	●
Daytime running lights with LED light guides and 3D effect	●
R.S. Interlagos Full Black 19" Wheel Rims	○ (Cup Pack)
R.S. Interlagos Diamond-effect Black 19" Wheel Rims	●
Chrome window weatherstrips	●
Electric Sunroof Pack: electric sunroof, electrochrome interior rear-view mirror, illuminated courtesy mirror	○
Metallic paint	○
Signature Renault Sport metallic paint	○
Chrome strip on door handles	●
R.S. VISION Full LED 3 function headlights (fog, cornering, long range)	●
PURE VISION Full LED front headlights with integrated C-Shape turn signal	●
Diamond Black door mirrors	●
Renault Sport welcome sequence upon opening the vehicle, with brand light	●
Welcome sequence when approaching the vehicle with brand light lighting, ground lighting and light ambience	●
New rear R.S. signature	●
Tinted windows and rear windscreen	●
INTERIOR DESIGN	
Custom R.S. black harmony roof ceiling	●
Chrome-plated Renault Sport front door sills	●
Instrument display with 7" TFT screen and personalised design settings	●
Front centre storage console with armrest	●
Front and rear door panel ambient lighting	●
Aluminium pedal unit and footrest	●
Alcantara R.S. black upholstery with red contrast stitching	○
Dark carbon R.S. fabric upholstery and red contrast stitching	●
R.S. sports seats with integrated headrests	●
R.S. Nappa perforated leather* steering wheel and gear lever knob with R.S. airbag cover	●
Height and reach-adjustable steering wheel	●
R.S. dashboard and doors moulding	●
High centre console with cup holder	●

COMFORT & MULTIMEDIA**COMFORT**

1/3-2/3 folding rear bench seat	●
Automatic rain-sensing windscreen wipers and dusk-sensing headlights	●
Hands-free Renault card with remote locking	●
Dual-zone automatic heating and air conditioning system with toxicity sensor and air recycling	●
One-touch electric rear windows	●
One-touch electric front windows	●
Front and rear LED ceiling lights	●
Electrochrome interior rear-view mirror	●
Heated electric door mirrors	●
Electrically folding door mirrors	●
Driver's seat with lumbar adjustment	●
Height-adjustable driver's seat	●
Height-adjustable passenger seat	●

MULTIMEDIA

Front 12V sockets	●
Rear 12V socket	●
Bluetooth® radio with phone pairing and recognition, and USB	●
Android Auto® and Apple Carplay®	●
Arkamys 3D Sound system with 8 speakers, DAB/AM/FM radio, MP3, AUX, USB, and fingertip controls	●
BOSE® Sound System	○
R-LINK2: connected multimedia system with vertical 8.7" touchscreen and maps for Europe	●

SAFETY AND DRIVING AIDS**SAFETY**

Driver and passenger adaptive front airbags (passenger airbag can be disabled)	●
Lateral chest-level side airbags for driver and front-seat passenger	●
Front and rear curtain airbags	●
Automatic full central locking when in motion	●
ESC Electronic stability control and ABS with emergency brake assist	●
Tyre repair kit	●
LED indicators integrated into the door mirrors	●
ISOFIX attachment system on rear side seats	●
R.S. custom braking system	●
4CONTROL system with 4-wheel steering for increased safety	●
Tyre pressure monitoring system	●

DRIVING SUPPORT SYSTEMS

Rear parking sensors	●
Front parking sensors	●
Distance Warning	●
Lane Departure Warning (LDW)	●
Rear-view camera	●
Advanced Emergency Braking System (AEBS) - Interurban	●
Blind Spot Warning (BSW)	●
Easy Park Assist (for Hands-free parking)	●
Cruise control / speed limiter	●
Adaptive Cruise Control (ACC)	●
Hill Start Assist	●
Manual parking brake	● (Manual only)
Electronic parking brake	● (Auto only)

● = standard; ○ = option; - = not available. * Bovine leather. The seats are fully upholstered in pigmented corrected-grain leather/calfskin on the front of the seat cushion, the seat back, the headrests and the side supports. The other parts are in coated textile.

Genuine Accessories



1. Shark Fin aerial. Add a sporty touch to your MEGANE R.S. with this aerial that is perfectly integrated with the lines of your vehicle.

2. Chrome mirror caps. Add a touch of style and personality to your vehicle with chrome mirror caps.

3. Premium R.S. Floor mats. A necessity for the MEGANE R.S., custom made for the vehicle, easily set in place using the two fastening clips without interfering with the pedals.

4. Customise your wheels even more! Add some style to your alloys with R.S. branded valve caps.

5. R.S. GOPRO Camera Support. Special R.S. dashmount for your GOPRO* camera.

*GOPRO not included

Overseas model shown



Renault Sport Merchandise



1. R.S. Jacket.

Custom R.S. technical jacket with ribbed cuffs, studded closure, waterproof and breathable membrane with warm insulation. Embroidered with Renault Sport logos. Available from S to 5XL.

2. R.S. Gym Bag.

Stylish and practical gym bag in woven grey material. Small inside mesh pocket and zipper. Comfortable soft handles with adjustable shoulder strap with padding.

3. R.S. T-Shirt.

Breathable crew neck design T-shirt.

4. R.S. FlexFit Flat Peak Cap.

FlexFit® flat peak caps available with Renault Sport logo.

4a. R.S. FlexFit Curved Peak Cap.

FlexFit® curved caps available with Renault Sport logo.



MEGANE R.S.

R.S.



New Renault MEGANE R.S.
Conquer every corner






For more information
visit **renault.com.au**

B121.Q318.001

For more information, call 1800 009 008 or visit www.renault.com.au. Details are correct at the time of publication and are subject to change. Vehicles depicted in this brochure are overseas models and are shown for illustration purposes only; Australian vehicles may differ in features, specifications, equipment, accessories and/or colour. Vehicle Distributors Australia Pty Ltd reserves the right to discontinue or change its models at its discretion and without prior notice, including features, specifications, equipment, accessories available and colour. The colours in the photographs may vary from actual colours. Please consult your Renault dealer for the latest information on models, features, specifications, prices, options and availability.

Publication date – August 2018

Vehicle Distributors Australia Pty Ltd, 3 Nexus Court, Mulgrave, Victoria 3170

   renault.com.au