



**MITSUBISHI  
MOTORS**

Drive your Ambition



# OUTLANDER

# BUILT FOR GROWING FAMILIES

Life is busy so let the family-friendly, feature-packed SUV that can handle the pace join your family.

Elegant and powerful, luxurious and technologically advanced, Outlander is where capability meets versatility. Packed with family sized cabin and luggage space plus a choice of five or seven seats. Outlander's advanced technology keeps you entertained as it does connected.

Comfort is also knowing you're keeping your family safe with highly advanced MiTEC safety features. So, wherever you're going and whoever you're taking, Outlander is built for the time of your life.

## Outlander, built for the time of your life

Since 1917 Mitsubishi Motors has been at the forefront of technological innovation, having launched the innovative Super-Select 4WD system and the world's first Plug-in hybrid electric SUV, our vehicles have been tested and triumphed in some of the most gruelling and toughest terrains on earth including Dakar rally. These engineering milestones and our commitment to reliability and ingenuity set us apart from the competition. As we continue to move forward, pushing the boundaries of innovation, you can rest assured your Mitsubishi has been built for the time of your life.



# OUTLANDER

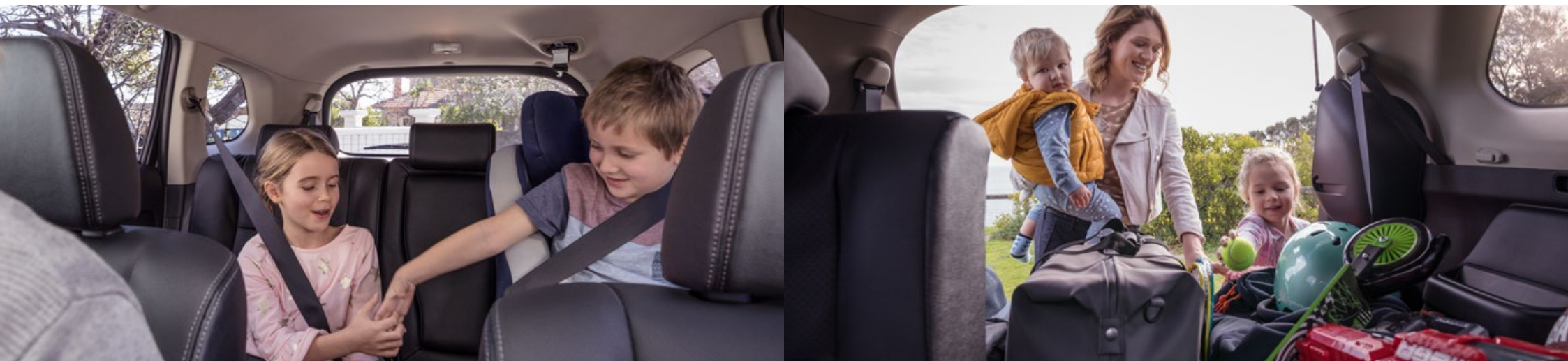


# BUILT FOR YOUR EVERYDAY GETAWAY



Exceed diesel model shown.

What's on this weekend? From camping trips to a day at the beach, the kids' footy finals or loading up for that big weekend project, Outlander's versatility has every mission covered.



What's on this weekend? From camping trips to a day at the beach, the kids' footy finals or loading up for that big weekend project, Outlander's versatility has every mission covered.

#### Outlander Interior

The luxurious interior has been designed so that everything is within arm's reach, while still creating a feeling of open space and comfort.

Sink back and be surrounded by interior indulgence. Premium finishes that include leather appointed seats\*, heated front seats\*, a sleek piano black instrument panel and a silver stitched leather bound steering wheel with phone, audio and cruise control switches. A Multi Around Monitor camera is also on hand in Exceed models.

#### An Outlandish Number of Features

+ Time to connect. Smartphone link Display Audio (SDA)<sup>^</sup> is a

true extension of your smartphone via Android Auto<sup>™1</sup> or Apple CarPlay<sup>2</sup>. Connected to a large 8" touchscreen, you can access your phone's compatible Apps and get directions, make calls, send and receive messages and listen to music from any source including DAB+ radio. With smartphone and USB connectors in the centre console, 2 USB power ports in rear centre console<sup>†</sup>, everything is taken care of. To ensure safety while you drive, the primary call and music streaming functions can be controlled by voice command or by steering wheel controls, so your eyes stay focused on the road ahead.

- + Exceed models also feature fully integrated Navigation system and Mitsubishi's Power Sound System 8 speaker audio.
- + Outlander's roomy interior gives your family generous head and legroom as well as plenty of in-cabin storage space including a handy 12V socket in the instrument panel and rear cargo area.

- + Both the second row and third row seats (7 seat models) can be easily re-arranged and with reclining seatbacks, make for a comfortable ride. You can even fold down all rear seats to create a large, flat luggage area for that weekend away.
- + Built for busy hands, the Exceed's power tailgate conveniently opens and closes with the touch of your Smart Key<sup>®</sup>.
- + Dual zone climate control means you can regulate temperature for the driver and front passenger.
- + Ensure a comfortable ride using tilt and telescopic steering to find your optimum driving position.
- + For added convenience, Auto models feature a Brake Auto Hold<sup>†</sup> switch that allows the vehicle to be held stationary without the need to keep your foot on the brake, along with a convenient push button electric park brake<sup>†</sup>.

\*Exceed models only. #LS and Exceed models only. -Leather appointed seats are a combination of genuine and artificial leather, but are not wholly leather. ^Smartphone Link Display Audio (SDA) supports Android Play 5.0 or higher/iOS 8.0 or higher for use with Android Auto<sup>™</sup> / Apple Car Play. ^Smartphone Link Display Audio will not operate in areas with no service signal and may not operate in supported areas where the signal is weak. Users are responsible for all charges incurred using smartphones and iPhones to connect to Android Auto<sup>™</sup> and CarPlay respectively. Some functions may not be available for use depending on the user's location. Only compatible Apps can be used. 1. Android<sup>™</sup> and Android Auto<sup>™</sup> are trademarks of Google Inc. 2. Apple CarPlay and iPhone, are trademarks of Apple Inc., registered in the U.S. and other countries. †Not available in ES 2.0L manual.

# OUT AND OUT STYLE



Exceed diesel model shown.

Outlander's distinctive lines and bold presence make a statement on the road. Stylish and sophisticated, its contemporary dynamic shield grille and streamlined shark fin antenna will turn heads. Everywhere you look at it, thoughtful design and innovation is on display.





OUTLANDER





- + 18" alloy wheels and LED Daytime Running Lights and tail lights reflect Outlander's cool, distinctive style.
- + Sun-day drivers will love Outlander Exceed's sunroof which gives your passengers a whole new perspective, filling the interior with light and a feeling of space.
- + Dusk sensing headlights automatically illuminate in fading light or when travelling through a tunnel\*.
- + Exceed and LS' handy Smart Key lets you lock and unlock doors and even start the engine with the touch of a button, all while your Smart Key is tucked safely in your bag or pocket. Exceed also has an electric tailgate for ease of opening and closing.
- + Outlander is equipped with front wipers that activate automatically when moisture is detected on the windscreen, allowing you to keep your hands on the wheel and your focus on the road ahead\*.
- + See what a difference the automatic high beam\* system makes at night. It detects both the headlights of oncoming vehicles and the tail lights of vehicles ahead, automatically switching between high and low beams.
- + Privacy glass# on the back and rear windows help keep your interior hidden from prying eyes, while protecting your passengers against UV rays.

# BUILT FOR THE ROAD AHEAD



**Whether you're a petrol or diesel fan, the Mitsubishi Outlander has you covered. Choose the 2WD ES 5 seat manual with its zippy 2.0L petrol engine, or the 2WD or AWD models with the punchy 2.4L petrol option. Either way, you won't be disappointed.**

The power from the 2.0L is delivered through a 5 speed manual transmission. The 2.4L comes standard with the CVT auto which has infinitely variable gear ratios to allow the engine to always operate at the optimum RPM, irrespective of the vehicle's speed. This maximises power and economy, ensuring a smooth, stable ride with seamless gear changes.

If fuel economy is king, Outlander AWD has the option of a 2.2L Direct Injection Diesel, which uses an exceptionally low 6.2 litres per 100km\*. While at the same time producing a powerful 110kW and

a huge 360Nm of torque. Channelling this through a smooth 6 speed auto transmission results in an effortless driving experience in all situations.

#### **Electronic Control AWD\***

Outlander performs no matter what surface you're on. The Electronic Control AWD uses a variety of intuitive sensors to maximise driver control to improve acceleration and stability performance. Highly advanced, this system has evolved so your intention as the driver is conveyed through all four wheels.



LS model shown.

### Stay in total control – AWD with S-AWC\*

Challenges arise when you least expect them. Whether navigating winding roads or snowy conditions, the Super All Wheel Control (S-AWC) system supplies optimal torque to rear wheels for enhanced vehicle dynamics, stability and control. S-AWC integrates with Mitsubishi's Active Yaw Control (AYC), which uses braking to optimally distribute torque to the left and right wheels. Even if you unintentionally brake or accelerate too hard around a slippery or snow covered turn, you can maintain control without extra steering effort. You can choose AWD ECO, NORMAL, SNOW or GRAVEL drive mode on road conditions to enhance accuracy, straight-line stability and manoeuvrability on slippery roads.

### A Smoother Road Ahead

Outlander is equipped with superior stability, handling and ride comfort for smoother all-round driving. A wide track and long wheelbase provides a sturdy foundation while the MacPherson strut front and multi link rear suspension glides you over road bumps and uneven off-road conditions. Outlander's shock absorbers and stabilisers are precision tuned for sporty performance, ensuring superior cornering and sure footed stability.

### Eco Drive Support System

With Outlander, it's easy being green. The ECO Drive Support System lets you review driving information for each time period you designate. The Outlander even displays a gauge that gives you a rating on a scale of 5 stars to show your car's performance.

GUIDE. PROTECT. CONNECT.

# MiTEC

Mitsubishi Motors Intuitive Technology or MiTEC, is an integrated system<sup>^</sup> of brilliant innovations in action, working in unison to guide and protect, alert and connect, even entertain. It thinks like you, reacts like you, before you even know it. MiTEC delivers unsurpassed safety and next generation features to the modern-day driver.

These significant safety features coupled with Mitsubishi's Reinforced Impact Safety Evolution (RISE) body have earned Outlander the maximum ANCAP safety rating of 5 stars so you can rest assured you're driving one of the safest cars on the road.



#### Rear Cross Traffic Alert<sup>#1</sup>

Mitsubishi's Rear Cross Traffic Alert system helps detect a moving vehicle when reversing. It alerts you via a buzzer sound, and an indicator light appearing in the combination meter and blinking light in the side door mirror.



#### Blind Spot Warning<sup>#2</sup> & Lane Change Assist<sup>#2</sup>

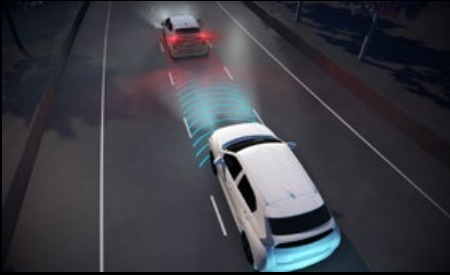
Mitsubishi's Blind Spot Warning and Lane Change Assist helps you change lanes with confidence. The Lane Change Assist system sounds an audible alert and displays a blinking warning in the door mirror when the system detects a high collision probability with a vehicle coming from behind moving to the same direction within 3.5m from your vehicle's side or 70m from its rear bumper.



#### Lane Departure Warning<sup>\*</sup>

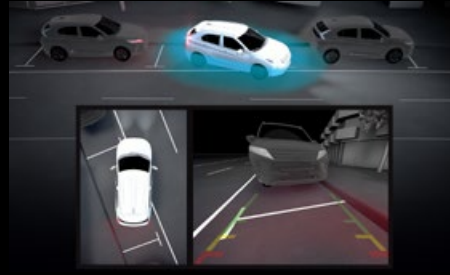
Mitsubishi's Lane Departure Warning uses a camera to issue an audible alert and shows a warning on the multifunction display if your vehicle drifts from its lane while the turn signals are not operating.

<sup>^</sup>Please drive safely and never rely solely on these systems while driving. Drivers are fully responsible for their own safe driving. <sup>\*</sup>Exceed models only. <sup>#</sup>LS and Exceed models only. <sup>^</sup>Excludes ES 5-seat model. 1. Do not rely solely on this system, which may not detect all moving vehicles in certain conditions. 2. The detection and control capabilities of BSW and LCA are supplementary only and do not warn you of vehicles in blind spot every situation. BSW and LCA may not activate in some situations.



### Forward Collision Mitigation<sup>3</sup>

Mitsubishi's Forward Collision Mitigation system detects obstructions ahead and issues a visual and audio alert when there is a danger of collision, automatically applying the brakes to avoid collision or reduce impact.



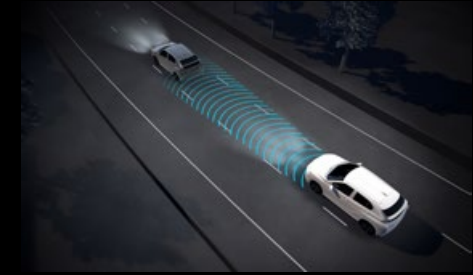
### Multi Around Monitor\*

Mitsubishi's Multi Around Monitor provides a 360° birds-eye view of your car. The view from cameras mounted on the front, rear and sides of the vehicle (including birds-eye view) can be displayed in various combinations to reveal what is in blind spots and help you park more safely.



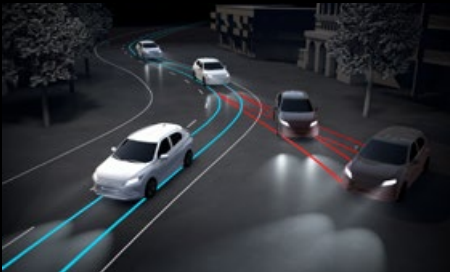
### Ultrasonic misacceleration Mitigation System\*<sup>4</sup>

Mitsubishi's Ultrasonic misacceleration Mitigation System reduces the chance and severity of hitting obstacles 4m in front or behind when a driver mistakenly presses the accelerator when stationary or at speeds up to 10km/h.



### Adaptive Cruise Control<sup>1</sup>

Mitsubishi's Adaptive Cruise Control uses radar technology to detect any cars in the lane ahead and adjusts the speed of your car accordingly while maintaining a safe distance set by you.



### Active Stability Control

Mitsubishi's Active Stability Control intuitively recognises when you over-steer or under-steer and applies the brake force to appropriate wheels to keep you stable through corners.



### Active Traction Control

Mitsubishi's Active Traction Control helps maintain traction on most slippery or rugged surfaces. Active Traction Control automatically controls the engine output – so driving wheels are prevented from spinning. Sensing loss of traction in independent wheels it then applies braking force to that particular wheel and sends extra power and torque to other wheels with traction, to keep the vehicle moving and in control.



### Super All Wheel Control (S-AWC)

Mitsubishi Motor's Super All Wheel Control system brings out the full potential of the AWD system without compromising safety, comfort or fuel efficiency. S-AWC supplies optimal torque to the wheels for enhanced vehicle dynamics stability and control. It integrates with Mitsubishi Motor's Active Yaw Control, which uses braking to optimally distribute torque to left and right rear wheels.



### Electronic Brakeforce Distribution

Mitsubishi's Electronic Brakeforce Distribution works hand-in-hand with your car's Anti-lock Braking Systems computer to assess load and distribute braking force between the front and rear wheels. When you have a load in the rear, it helps you stop in a shorter distance than standard brakes.



### Anti-lock Braking System

Mitsubishi's Anti-lock Braking System allows the driver to maintain steering control of the vehicle and manoeuvre around obstructions in heavy braking situations.



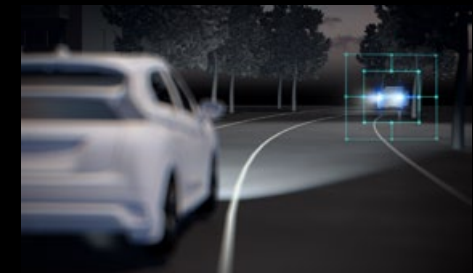
### Auto Dusk Sensing Headlights<sup>4</sup>

Mitsubishi's Dusk Sensing Headlights automatically illuminate in fading light or when travelling through a tunnel, allowing you to keep your hands on the wheel and your focus on the road ahead.



### Hill Start Assist

Steep city streets or congested shopping mall ramps are no longer a problem with Mitsubishi's Hill Start Assist technology. It prevents the car from rolling backwards by maintaining braking force to give you time to move your foot from brake to accelerator.



### Auto High Beam<sup>1</sup>

Mitsubishi's Auto High Beam detects both the headlights of oncoming vehicles and the tail lights of vehicles ahead, automatically switching between high or low beams.

\*Exceed models only. #LS and Exceed models only. ^Excludes ES 5-seat manual model. 3. The detection and control capabilities of FCM are supplementary only and do not prevent collisions in every situation. Please read the operation manual carefully and be aware of these limitations. 4. Ultrasonic misacceleration Mitigation System (UMS) may not activate in some conditions. The engine output control activates when driving; 01-10km/h (not in N or P Position); obstacle/vehicle is within approx. 4m range; accelerator pedal is pushed hard or abruptly; driver is not turning to avoid obstacle/vehicle. The detection and control capabilities of UMS are supplementary only and do not prevent misacceleration in every situation.

# KEY SPECIFICATIONS

KEY	■	Standard
	–	Not available

	2WD ES 5 SEAT MAN	2WD ES 5 SEAT CVT	AWD ES 5 SEAT CVT	2WD ES 7 SEAT CVT	AWD ES 7 SEAT CVT	2WD LS 7 SEAT CVT	AWD LS 7 SEAT CVT	AWD EXCEED 7 SEAT CVT	AWD LS DID 7 SEAT AUTO	AWD EXCEED DID 7 SEAT AUTO
<b>Engine</b>										
Type	2.0L 4J11 (S-MIVEC) MPI Petrol		2.4L 4J12 (S-MIVEC) MPI Petrol						2.2L 4N14 DID Turbo Diesel	
Size (L)	2		2.4						2.2	
Compression ratio			10.5:1						14.9:1	
Displacement (cc)	1998		2360						2268	
Bore x Stroke (mm)	86 x 86		88 x 97						86 x 97.6	
Maximum Power (kW@rpm)	110 @ 6000		124 @ 6000						110 @ 3500	
Maximum Torque (NM@rpm)	190 @ 4200		220 @ 4200						360 @ 1500-2750	
Fuel Type	Unleaded (minimum 91 RON recommended)								Diesel	
Fuel consumption (ADR 81/02 per 100km)*	70		72						6.2	
CO <sub>2</sub> – g/km	162		166						163	
Fuel tank capacity (L)	63		60		63		60		60	
<b>Transmission</b>										
Type	Manual		CVT Automatic						Automatic	
Number of speeds	5		6						6	
Paddle shift	–		–						■	
Preset ratios	–		2.631 - 0.378						–	
Gear ratio 1st	3.538		2.631						4.199	
2nd	1.913		1.44						2.405	
3rd	1.333		1.165						1.583	
4th	1.028		0.906						1.161	
5th	0.820		0.68						0.855	
6th	–		0.499						0.685	
Reverse	3.583		1.96						3.457	
Final drive ratio	4.562		6.026						3.36	
Super All Wheel Control (S-AWC)	–		–		–		■		■	
<b>Chassis</b>										
Front brakes	Ventilated disc (294 mm)									
Rear brakes	Disc (302 mm)									
Front suspension	Macpherson strut, coil spring & stabiliser bar									
Rear suspension	Multi-link with stabiliser bar									
<b>Wheels and Tyres</b>										
Wheel type	Alloy (silver finish)					Alloy (two tone)				
Wheel size (inches)	18 x 7.0J									
Tyre size	225/55R18 98H									
Spare wheel type	Full size – alloy							Space saver	Full size – alloy	

## SAFETY, SECURITY AND DRIVER ASSISTANCE

	2WD ES 5 SEAT MAN	2WD ES 5 SEAT CVT	AWD ES 5 SEAT CVT	2WD ES 7 SEAT CVT	AWD ES 7 SEAT CVT	2WD LS 7 SEAT CVT	AWD LS 7 SEAT CVT	AWD EXCEED 7 SEAT CVT	AWD LS DID 7 SEAT AUTO	AWD EXCEED DID 7 SEAT AUTO
<b>Active Safety</b>										
Forward Collision Mitigation system (FCM) with Pedestrian detection	–	■	■	■	■	■	■	■	■	■
Adaptive Cruise Control (ACC)	–	■	■	■	■	■	■	■	■	■
Lane Departure Warning (LDW)	–	■	■	■	■	■	■	■	■	■
Blind Spot Warning (BSW)	–	–	–	–	–	■	■	■	■	■
Lane Change Assist (LCA)	–	–	–	–	–	■	■	■	■	■
Rear Cross Traffic Alert (RCTA)	–	–	–	–	–	■	■	■	■	■
Ultrasonic misacceleration Mitigation System (UMS)	–	–	–	–	–	–	–	■	–	■
Adjustable Speed limiter	■	■	■	■	■	■	■	■	■	■
Automatic High Beam (AHB)	–	■	■	■	■	■	■	■	■	■
Emergency Stop Signal function (ESS)	■	■	■	■	■	■	■	■	■	■
Emergency Brake Assist system (EBA)	■	■	■	■	■	■	■	■	■	■
Hill Start Assist (HSA)	■	■	■	■	■	■	■	■	■	■
Active Stability Control (ASC)	■	■	■	■	■	■	■	■	■	■
Active Traction Control (ATC)	■	■	■	■	■	■	■	■	■	■
Anti-lock Braking System (ABS)	■	■	■	■	■	■	■	■	■	■
Electronic Brakeforce Distribution (EBD)	■	■	■	■	■	■	■	■	■	■
<b>Airbags</b>										
Driver & front passenger SRS airbags	■	■	■	■	■	■	■	■	■	■
Driver & front passenger side SRS airbags	■	■	■	■	■	■	■	■	■	■
Curtain SRS airbags	■	■	■	■	■	■	■	■	■	■
Driver knee airbag	■	■	■	■	■	■	■	■	■	■
<b>Seat Belts</b>										
Front seat belt pretensioners	■	■	■	■	■	■	■	■	■	■
Auto Locking Retractor (ALR) seatbelts on outboard 2nd row seats	■	■	■	■	■	■	■	■	■	■
<b>Child Safety</b>										
ISO-Fix child seat anchorage						2				
Child restraint top tether	3									
Child proof rear door locks	■	■	■	■	■	■	■	■	■	■
Power window lock driver control – passenger windows	■	■	■	■	■	■	■	■	■	■
<b>Driver Assistance</b>										
Cruise control	■	■	■	■	■	■	■	■	■	■
Electrochromatic rear view mirror	–	■	■	■	■	■	■	■	■	■
Electric Park Brake	–	■	■	■	■	■	■	■	■	■
Brake auto hold	–	■	■	■	■	■	■	■	■	■
Speed limit display	–	–	–	–	–	–	–	■	–	■
ECO drive function	■	■	■	■	■	■	■	■	■	■
Automatic dusk sensing headlights	–	■	■	■	■	■	■	■	■	■
Automatic rain sensing wipers	–	■	■	■	■	■	■	■	■	■
Rear wiper and washer	■	■	■	■	■	■	■	■	■	■
Intermittent rear wiper and washer	■	■	■	■	■	■	■	■	■	■
<b>Parking Assistance</b>										
Multi Around Monitor (MAM)	–	–	–	–	–	–	–	■	–	■
Rear view camera	■	■	■	■	■	■	■	■	■	■
Front parking sensors	–	–	–	–	–	–	–	■	–	■
Rear parking sensors	–	■	■	■	■	■	■	■	■	■
<b>Security</b>										
Theft protection alarm	■	■	■	■	■	■	■	■	■	■
Encrypted engine immobiliser	■	■	■	■	■	■	■	■	■	■

\* Australian Standard ADR 81/02. Figures to be used for comparison across vehicles. Driving conditions will affect actual results.

	2WD ES 5 SEAT MAN	2WD ES 5 SEAT CVT	AWD ES 5 SEAT CVT	2WD ES 7 SEAT CVT	AWD ES 7 SEAT CVT	2WD LS 7 SEAT CVT	AWD LS 7 SEAT CVT	AWD EXCEED 7 SEAT CVT	AWD LS DID 7 SEAT AUTO	AWD EXCEED DID 7 SEAT AUTO		
<b>AUDIO AND MULTIMEDIA</b>	<b>Audio &amp; Multimedia</b>											
	Smartphone link Display Audio (SDA) with touch screen	■	■	■	■	■	■	■	■	■	■	
	Screen size (inches)	8										
	Android Auto	■	■	■	■	■	■	■	■	■	■	
	Apple CarPlay	■	■	■	■	■	■	■	■	■	■	
	Satellite navigation	-	-	-	-	-	-	-	■	-	■	
	Premium audio	-	-	-	-	-	-	-	■	-	■	
	Speakers	6										
	Bluetooth connectivity with voice control & audio streaming	■	■	■	■	■	■	■	8	6	8	
	Digital Audio Broadcast (DAB) radio	■	■	■	■	■	■	■	■	■	■	
	AM/FM radio	■	■	■	■	■	■	■	■	■	■	
	USB input	2	1									
	<b>COMFORT AND CONVENIENCE</b>	<b>Comfort &amp; Convenience</b>										
		Smart key	-	-	-	-	-	■	■	■	■	■
		One touch start system	-	-	-	-	-	■	■	■	■	■
		Keyless entry with central door locking	■	■	■	■	■	■	■	■	■	■
Multifunction steering wheel controls		■	■	■	■	■	■	■	■	■	■	
Tilt & telescopic steering column		■	■	■	■	■	■	■	■	■	■	
Auto up/down driver control - all windows		■	■	■	■	■	■	■	■	■	■	
Side and rear window demisters		■	■	■	■	■	■	■	■	■	■	
Electric sunroof with slide and tilt		-	-	-	-	-	-	-	■	-	■	
Power tailgate		-	-	-	-	-	-	-	■	-	■	
Cargo Cover		-	-	-	-	-	-	-	Retractable			
Accessory socket (12V)		3	2									
Second row seat USB power supply		-	2									
<b>Air Conditioning</b>												
Climate control (No of zones)		2										
Rear air conditioning vents		-	■	■	■	■	■	■	■	■	■	
Dust and pollen filter	■	■	■	■	■	■	■	■	■	■		
<b>EXTERIOR</b>	<b>Exterior</b>											
	Door handles	Body colour							Chrome	Body colour	Chrome	
	Privacy glass	-	-	-	-	■	■	■	■	■		
	Roof rails	-	-	-	-	■	■	■	■	■		
	Rear spoiler	-	-	-	-	■	■	■	■	■		
	Wheel arch moulding	Material black										
	<b>Lights</b>											
	Headlights low beam	Halogen							LED	Halogen	LED	
	Headlights high beam	Halogen							LED	Halogen	LED	
	Headlight levelling function	Manual							Auto	Manual	Auto	
	Headlight washers	-	-	-	-	-	-	■	-	■		
	Daytime Running Lights (DRL)	LED										
	Fog lights (front)	-	-	-	-	-	Halogen	LED	Halogen	LED		
	Fog lights (rear)	Halogen										
	Brake lights	LED										
	<b>Door Mirrors</b>											
Electric adjustment	■	■	■	■	■	■	■	■	■	■		
Electric fold control	-	-	-	-	-	■	■	■	■	■		
Heating function	-	-	-	-	-	■	■	■	■	■		
Integrated turn indicator	-	-	-	-	-	■	■	■	■	■		
Finish	Body colour											
<b>Styling</b>												
Leather bound steering wheel	■	■	■	■	■	■	■	■	■	■		
Leather bound gearshift	■	■	■	■	■	■	■	■	■	■		
Accent stitching	-	-	-	-	-	-	-	-	-	-		
Carpet floor covering	■	■	■	■	■	■	■	■	■	■		
<b>Seating</b>												
Leather appointed seats	-	-	-	-	-	-	-	■	-	■		
Microsuede seat trim with synthetic leather bolster	-	-	-	-	-	■	■	-	■	-		
Water repellent seat fabric	-	-	-	-	-	-	-	-	-	-		
Fabric seat trim	■	■	■	■	■	-	-	-	-	-		
Heated front seats	-	-	-	-	-	■	■	■	■	■		

	2WD ES 5 SEAT MAN	2WD ES 5 SEAT CVT	AWD ES 5 SEAT CVT	2WD ES 7 SEAT CVT	AWD ES 7 SEAT CVT	2WD LS 7 SEAT CVT	AWD LS 7 SEAT CVT	AWD EXCEED 7 SEAT CVT	AWD LS DID 7 SEAT AUTO	AWD EXCEED DID 7 SEAT AUTO		
<b>INTERIOR</b>	<b>Interior</b>											
	Driver's seat power adjustment	-	-	-	-	-	■	■	■	■	■	
	Driver's seat manual adjustment	■	■	■	■	■	-	-	-	-		
	Driver's seat lumbar adjustment	■	■	■	■	■	■	■	■	■		
	Front passenger's seat manual adjustment	■	■	■	■	■	■	■	■	■		
	2nd row centre armrest with cupholders	■	■	■	■	■	■	■	■	■		
	2nd row split folding function	60:40										
	2nd row slide and recline adjustment	-	-	-	■	■	■	■	■	■		
	2nd row recline adjustment	■	■	■	-	-	-	-	-	-		
	3rd row split folding function	-	-	-	-	-	50:50					
	3rd row recline adjustment	-	-	-	■	■	■	■	■	■		
	<b>Storage</b>											
	Centre console with storage box and lid	■	■	■	■	■	■	■	■	■	■	
	Cup holders	4										
	Bottle holders	4			4			6				
	Sunglasses storage	■	■	■	■	■	■	■	-	■	-	
Door pockets - front and rear	■	■	■	■	■	■	■	■	■	■		
Seat back pocket - driver and passenger	-	-	-	-	-	-	-	■	-	■		
Seat back pocket - passenger	■	■	■	■	■	■	■	-	■	-		
<b>Exterior Dimensions</b>												
Overall length (mm)	4695											
Overall width (mm)	1810											
Overall height (mm)	1710											
Wheelbase (mm)	2670											
Turning circle, kerb to kerb (m)	10.6											
Approach angle (degrees)	19.5											
Departure angle (degrees)	21											
Ramp breakover angle (degrees)	19											
Ground clearance (mm) - minimum, unladen	190											
<b>Interior Dimensions</b>												
Front head room (mm)	1030											
Front leg room (mm)	1039							1014	1030	1014		
Front shoulder room (mm)	1437											
2nd row head room (mm)	974		976							944	976	944
2nd row leg room (mm)	982		948									
2nd row shoulder room (mm)	1425											
3rd row head room (mm)	-							908				
3rd row leg room (mm)	-							715				
3rd row shoulder room (mm)	-							1306				
<b>Weights and Capacities</b>												
Kerb mass (kg)	1450	1485	1550	1515	1575	1535	1595	1610	1690	1715		
Gross vehicle mass (GVM) - (kg)	1985		2050	2170	2205	2170	2205			2290		
Gross combination mass (GCM) - (kg)	3585	3770	3805	3585	3650	3770	3805			4290		
Maximum payload (kg)	535	500	500	655	630	635	610	595	600	575		
Maximum front axle load (kg)	1150											
Maximum rear axle load (kg)	1250											
Towing capacity - braked (kg)	1600							2000				
Towing capacity - unbraked (kg)	735	750					200					
Towing capacity - maximum towball load (kg)	160					80						
Maximum roof load (kg)	80											
<b>Cargo</b>												
Capacity (L) - VDA (to top of 2nd row seat back)	477											
Capacity (L) - VDA (to top of 3rd row seat back)	-	128						-				
Capacity (L) - VDA (max. capacity to roof - 2nd & 3rd row seats folded)	1608											
Cargo room length (mm) - all seats up	991		380						-			
Cargo room length (mm) - with 2nd row seats folded	1845		-									
Cargo room length (mm) - with 2nd & 3rd row seats folded	-						1845					
Cargo room length (mm) - with 3rd row seats folded	-											
Cargo room width (mm)	1306		1263									
Cargo room height (mm)	859		794									
Width between wheel arches (mm)	974											

# MODEL FEATURES



## ES 2WD PETROL 5-SEAT

### FEATURES:

- 2.0L MIVEC Petrol Engine
- 5 Speed Manual Transmission
- 18" Silver Finish Alloy Wheels
- LED Daytime Running Lights (DRL)
- 7 SRS Airbags
- Cruise Control
- Smartphone Link Display Audio (SDA) With 8" Touchscreen
- 6 Speakers
- ApplePlay & Android Auto
- Bluetooth Connectivity With Voice Control & Audio Streaming
- Digital Audio Broadcast (DAB) Radio
- AM/FM Radio
- USB Input x 2
- Keyless Entry With Central Door Locking
- Fabric Seat Trim
- 60:40 2nd Row Split Fold Function
- Cup Holders x 4 & Bottle Holders x 4
- Climate Control Air Conditioning

### MITEC Mitsubishi Motors Intuitive Technology

- Emergency Stop Signal Function (ESS)
- Automatic High Beam (AHB)
- Hill Start Assist (HSA)
- Rear View Camera

## ES 2WD PETROL 7-SEAT

### INCLUDES ALL ES 2WD FEATURES PLUS:

- 2.4L MIVEC Petrol Engine
- CVT Auto Transmission With Manual Shift Mode
- Electric Park Brake
- Rear Air Conditioning Vents
- 2nd Row Slide & Recline Adjustment
- 50:50 3rd Row Split Fold Function
- 3rd Row Recline Adjustment

### MITEC Mitsubishi Motors Intuitive Technology

- Forward Collision Mitigation (FCM)
- Lane Departure Warning (LDW)
- Adaptive Cruise Control (ACC)
- Rear Parking Sensors
- Auto Dusk Sensing Headlights
- Auto Rain Sensing Wipers

## ES AWD PETROL 5-SEAT

### INCLUDES ALL ES 2WD 5-SEAT PLUS:

- 2.4L MIVEC Petrol Engine
- CVT Auto Transmission With Manual Shift Mode
- All Wheel Control (AWC)
- Electrochromatic Rear View Mirror
- Electric Park Brake
- Brake Auto Hold
- Rear Air Conditioning Vents

### MITEC Mitsubishi Motors Intuitive Technology

- Forward Collision Mitigation (FCM)
- Adaptive Cruise Control (ACC)
- Lane Departure Warning (LDW)
- Automatic High Beam (AHB)
- Auto Dusk Sensing Headlights
- Auto Rain Sensing Wipers
- Rear Parking Sensors

## ES AWD PETROL 7-SEAT

### INCLUDES ALL ES 2WD 7-SEAT PLUS:

- All Wheel Control (AWC)

## LS 2WD PETROL 7-SEAT

### INCLUDES ALL ES 2WD 7-SEAT FEATURES PLUS:

- 18" Two-Tone Alloy Wheels
- Smart Key
- One Touch Start System
- Cargo Blind
- Privacy Glass
- Roof Rails
- Rear Spoiler
- Front Fog Lights
- Electric Adjusted Mirror With Fold Control, Integrated Turn Indicator & Heating Function
- Microsuede Seat Trim With Synthetic Leather Bolster
- Driver's Seat Power Adjustment

### MITEC Mitsubishi Motors Intuitive Technology

- Blind Spot Warning (BSW)
- Lane Change Assist (LCA)
- Rear Cross Traffic Alert (RCTA)

## LS AWD PETROL 7-SEAT

### INCLUDES ALL LS 2WD 7-SEAT FEATURES PLUS:

- All Wheel Control (AWC)

## LS AWD DIESEL 7-SEAT

### INCLUDES ALL LS 2WD 7-SEAT FEATURES PLUS:

- 2.2L DiD Turbo Diesel Engine
- Paddle Shift
- 6 Speed Automatic Transmission

## EXCEED AWD PETROL 7-SEAT

### INCLUDES ALL LS AWD 7- SEAT FEATURES PLUS:

- Super All Wheel Control (S-AWC)
- Active Yaw Control (AYC)
- Speed Limit Display
- Integrated Satellite Navigation
- Premium Audio System With 8 Speakers
- Electric Sunroof With Slide & Tilt
- Power Tailgate
- Headlight Washers
- Leather Appointed Seats\*
- Heated Front Seats
- Seat Back Pocket – Driver & Passenger

### MITEC Mitsubishi Motors Intuitive Technology

- Blind Spot Warning (BSW)
- Lane Change Assist (LCA)
- Rear Cross Traffic Alert (RCTA)
- Ultrasonic Misacceleration Mitigation System (UMS)
- Multi Around Monitor (MAM)
- Front Parking Sensors

## EXCEED AWD DIESEL 7-SEAT

### INCLUDES ALL LS AWD 7-SEAT FEATURES PLUS:

- Super All Wheel Control (S-AWC)
- Active Yaw Control (AYC)
- Speed Limit Display
- Integrated Satellite Navigation
- Premium Audio System With 8 Speakers
- Electric Sunroof With Slide & Tilt
- Power Tailgate
- Headlight Washers
- Leather Appointed Seats\*
- Heated Front Seats
- Seat Back Pocket – Driver & Passenger

### MITEC Mitsubishi Motors Intuitive Technology

- Ultrasonic Misacceleration Mitigation System (UMS)
- Multi Around Monitor (MAM)
- Front Parking Sensors





OUTLANDER

# EXPLORE OUR ACCESSORIES RANGE

Make your Mitsubishi Outlander truly your own – an expression of your active lifestyle with Genuine Accessories. Mitsubishi Genuine Accessories go through an extensive program of design, development and stringent testing to ensure they meet all applicable government standards as well as Mitsubishi's own rigorous engineering specifications and performance targets. Using Mitsubishi Genuine Accessories will ensure you get the best quality accessories that are both as durable and reliable as the Mitsubishi you drive.

If it's not genuine, don't risk it.

**MITSUBISHI**  
**DIAMOND**  
**ADVANTAGE**  
**GENUINE ACCESSORIES**





Front Airdam



Side Airdam



Rear Airdam



Towbar Package



Front Parking Assist Sensors



Enginehood Emblem



Chrome Door Edge Mouldings



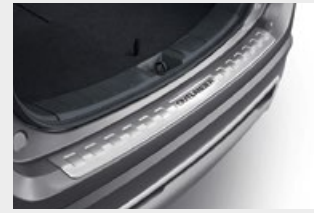
Sports Rear Spoiler



Chrome Door Handle Covers



Tailgate Protector



Rear Bumper Protection Plate



Roof Racks



Thule Bike Carrier



Thule Ski Carrier



Nudge bar with integrated LED light bar



Thule Luggage Pod



Outer Scuff Plates



Outer Scuff Plates Illuminated



Dashboard Accent Panel  
- Silver



Floor Mats  
- Available in Carpet and Rubber



Neoprene Seat Covers  
- Front, Rear and Third Row Seats



Cargo Liner 7 Seat  
- Hard Plastic



Cargo Liner 5 Seat  
- Hard Plastic



Cargo Blind

Mitsubishi Genuine Accessories have been designed to maintain the integrity of your vehicle and work with all driving systems. Please ensure if fitting non-genuine accessories that they do not interfere with any of the vehicle safety sensors as this may lead to system malfunction and/or false activation. Some accessories are not offered by Mitsubishi on certain models as they interfere with vehicle safety sensors. GENUINE ACCESSORY WARRANTY Mitsubishi Motors Australia Limited warrants that Genuine Accessories will be free from defects in material under conditions of normal use and service within Australia. When Genuine Accessories are fitted prior to the owner taking delivery of the vehicle, Genuine Accessories are covered by a 36 months or 100,000km Warranty. When Genuine Accessories are fitted after the owner has taken delivery of the new vehicle, Genuine Accessories are warranted for whichever is the greater of the following • The balance of 36 months or 100,000km (whichever occurs first) from date of vehicle delivery; or • 12 months or 20,000km (whichever occurs first) from date of fitment. Pictures shown for illustration purpose and may not be product specific. Please check with you Mitsubishi dealer for specific model application.

## COLOUR



White



Starlight (P)



Red Diamond (X)



Black (P)



Sterling Silver (M)



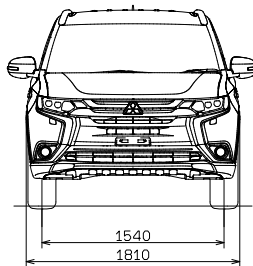
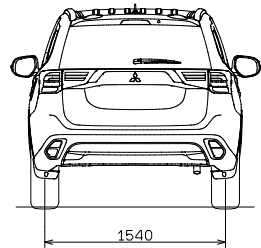
Ironbark (M)



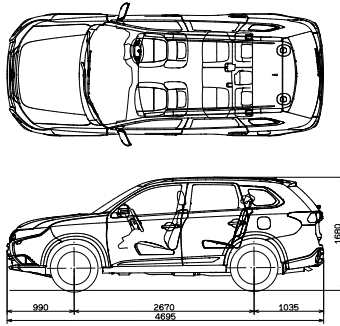
Titanium (M)

(M) Metallic  
(P) Pearlescent  
(X) Premium

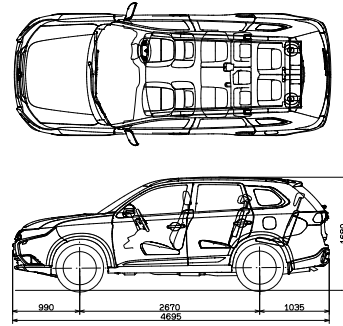
## EXTERIOR DIMENSIONS (MM)



5 Seats



7 Seats



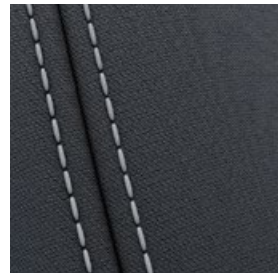
## UPHOLSTERY



**Exceed**  
Black high grade leather appointed-



**LS**  
Leather appointed-  
/Microsuede combination



**ES**  
Black Cloth



**BOOK A TEST DRIVE**



**BUILD AND PRICE**

AUSTRALIA'S FIRST

**10**  
**YEARS**  
NEW CAR WARRANTY

**10**  
**YEARS**  
CAPPED PRICE SERVICING

MITSUBISHI  
**DIAMOND**  
**ADVANTAGE**

WHEN ALL SCHEDULED SERVICES ARE COMPLETED  
AT A MITSUBISHI DEALERSHIP

All Mitsubishi Motors vehicles come with the Mitsubishi Diamond Advantage<sup>#</sup> – 10 Years Warranty\* and 10 Years Capped Price Servicing<sup>^</sup> and Roadside Assistance so that no matter where the road takes you, we will be there with you. Ask your Dealer or visit [mitsubishi-motors.com.au](http://mitsubishi-motors.com.au) to find out more.

-Leather appointed seats are a combination of genuine and artificial leather, but are not wholly leather. \*Conditions apply. Excludes Government, Rental and National Business customers. See Mitsubishi-motors.com.au for further details. ^10 Year/200,000km New Car Warranty (whichever occurs first and when all scheduled services are completed at a Mitsubishi Dealership). ^10 Year/150,000km Capped Price Servicing (whichever occurs first). Includes the first 10 regular services (at 15,000km/12 month scheduled intervals). Some items excluded or subject to separate warranty. Any non-regular service/repair items are at an additional cost. Servicing must be completed by a Mitsubishi Dealer within 7500kms or 6 months of the service due date. Valid from date of vehicle registration. Always consult your authorised Mitsubishi Dealer for the latest details, options, availability and conditions on New Vehicle warranty. All product illustration and specifications referred to herein are believed to be correct at the time of publication approval. Subject to any applicable Federal, State or Territory Laws or ordinances, which may apply from time to time. Mitsubishi Motors Australia Limited reserves the right, without notice, or obligation, to discontinue or make changes to designs, specifications, colours and material of the options and products referred herein at any time without incurring any liability to any purchase thereof. Mitsubishi Motors Australia Limited. ABN 53 007 870 395 © Mitsubishi Motors Australia Limited. ABN 53 007 870 395 OUT1020 21MY MMA1752