



**MITSUBISHI
MOTORS**

Drive your Ambition



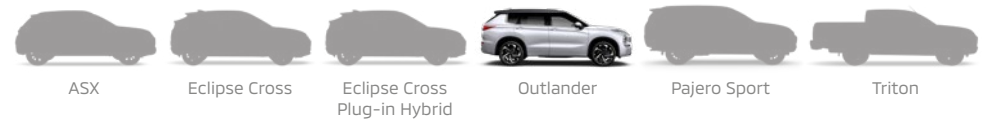
OUTLANDER

LIVE OUTLANDISH



Outlander, built for the time of your life.

Since 1917 Mitsubishi Motors has been at the forefront of technological innovations. Having launched the inventive Super Select 4WD system and the world's first Plug-in hybrid electric SUV, our vehicles have been tested and triumphant on some of the world's toughest terrains including the Dakar rally. These engineering milestones, together with our commitment to reliability and ingenuity sets us apart. As we continue to move forward, pushing the boundaries of innovations, you can rest assured your Mitsubishi has been built for the time of your life.



OUTLANDER

STYLED TO SET YOU APART.

Do your thing and do it in outlandish style. Completely reimagined, redesigned and redefined, the all-new Mitsubishi Outlander gives you the freedom to be yourself, wherever you want to be.

With cutting edge features and rally bred performance built in to its DNA, the bigger, bolder next generation Mitsubishi Outlander is nothing short of revolutionary. Its powerful presence, impressive stance and state of the art technology inspire confidence wherever the journey takes you. Dare to be different. Go there.





BUILT TO SET YOU FREE



The daring and distinct Mitsubishi Outlander is no wallflower. It makes a strong, dignified entrance with confident sculpted lines, muscular flared fenders and broad shoulders. Its bold front dynamic shield and streamlined rear spoiler not only turn heads, they also deliver greater performance and aerodynamics.

Agile and adventurous, the completely reimagined and meticulously redesigned Outlander stands proud with a wider and more dynamic front face, edgier sculptured sides, a horizontal rear design and authoritative 20-inch two-tone alloy wheels*.

*Aspire, Exceed & Exceed Tourer only.

Have an open mind.

The new Outlander Exceed and Exceed Tourer's larger and wider panoramic sunroof goes above and beyond. One touch tilt and slide operation opens up the interior cabin to the great outdoors, creating an even greater sense of vast, natural space.

EXCEED YOUR EXPECTATIONS



Once you ease into Outlander Exceed Tourer's exceptionally crafted cabin, you'll instantly relax and unwind. Fastidious attention to detail has been paid to every nuance and feature, right down to the knobs and dials. Advanced human-centric design through the multi-function steering wheel will reassure with simple, intuitive control. Contrasting two-tone black and saddle tan leather upholstery, striking aluminium instrument panel accents and matte carbon trim make a distinguished statement in style.



On the road, a superior combination of exquisite craftsmanship and advanced technology will make you feel at home. An 8-way power adjustable driver and front passenger seat can be customised and memorised to embrace and cradle any body and height.

Accented Diamond stitched leather upholstery coalesces with embedded comfort features including a massage function in both front seats, so you always arrive relaxed. Heated seats in the front row provide welcome winter warmth, while independent tri-zone climate control allows everyone to create their own personal oasis year round.





CHANGE THINGS UP



Outlander's luxurious interior not only offers generous head and legroom, it's incredibly accommodating in more ways than one.

With 5 or 5+2 seat flexibility, it provides ample room for busy weeks and even bigger weekends away. All seats can recline for added comfort, while the slide adjustable 40:20:40 split second row and 50:50 split rear third row can fold fully forward to create a multitude of versatile passenger

and cargo configurations. All rear seats can lie flat to create a capacious luggage area and up to 1717 litres of cargo space. Under floor storage add to the wide array of luggage and seating arrangements.

OUT THERE. IN TOUCH.



A wireless smartphone charging tray* means the entertainment or handsfree conversations never have to stop.

Mitsubishi's Smartphone-link Display Audio with 9-inch touchscreen display brings all the fun with you, allowing you to take all the latest smartphone apps on the road with Apple CarPlay or Android Auto™.

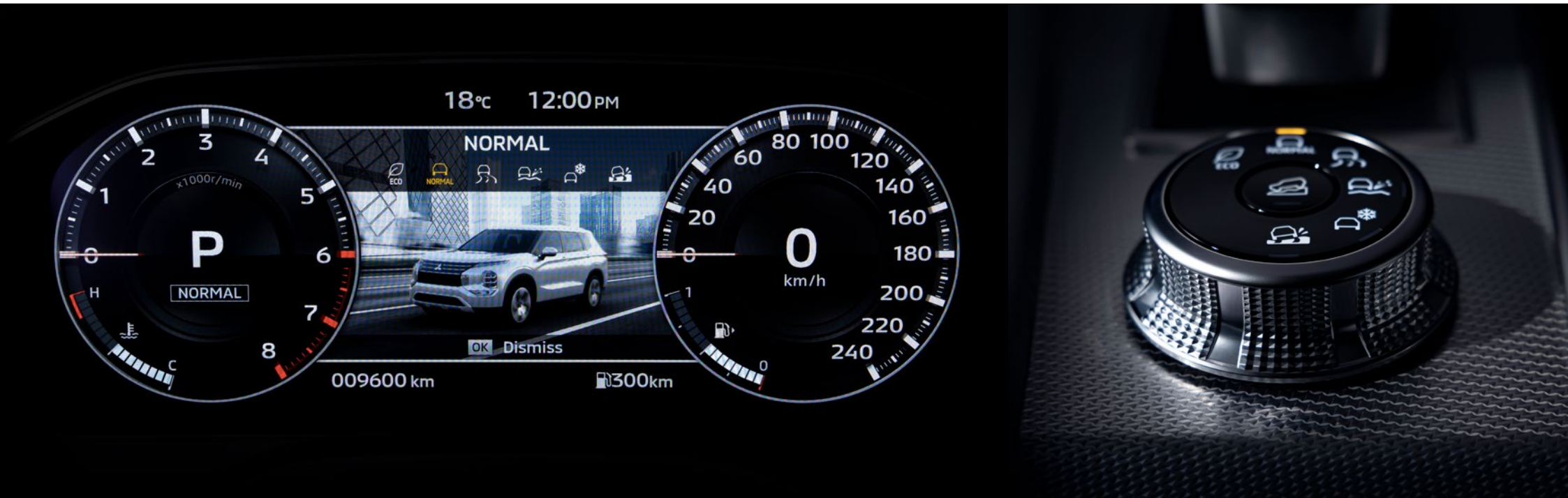
March to the beat of your own drum, or playlists.

Go loud and proud. Sound insulating double pane windows and windshields ensure silence is golden, so you can hear every note played through the Outlander Exceed and Exceed Tourer's incredible acoustically tuned 10-speaker Bose® sound system.

The tailgate that's one step ahead

As equally convenient as it is impressive, the Outlander's automatic power tailgate* can be opened simply by placing a foot under its rear bumper. Its lift height is adjustable to prevent contact with low garage doors and ceilings, while a wider rear frame and deeper cavity easily accommodate bulky luggage and equipment.

FORGE YOUR OWN PATH



A high-resolution 12.3-inch full digital driver display continuously updates the status of your Outlander and can be customised to showcase the Outlander's built in satellite navigation, Super All-Wheel Control information, audio entertainment options, and many more important details.

The driver's windscreen projection 10.8-inch head up display can be configured to provide additional information within the driver's field of view without taking your eyes of the road.

Outlander's Super-All Wheel Control system integrates Mitsubishi's revolutionary rally bred full-time, 4WD based technology. Featuring direct coupling with quick torque response, it optimises drive and braking force at each wheel to deliver more power, better cornering and greater stability wherever you are.

The drive mode selector allows the driver to adjust the chassis control system to suit the conditions. There are 5 drive modes for 2WD and 6 drive modes for S-AWC models.

Normal mode

Optimal performance for everyday use.

Eco Mode

Provides ecological and economic driving.

Tarmac Mode

For agile and fun driving on dry sealed surfaces.

Gravel Mode

Superior handling on rough roads for maximum control.

Snow Mode

Enhances stability on slippery or icy road conditions.

Mud Mode (AWD only)

Provides powerful all wheel driving in muddy or snowy conditions.



GUIDE. PROTECT. CONNECT.

MiTEC

Mitsubishi Motors Intuitive Technology or MiTEC, is an integrated system[^] of brilliant innovations in action, working in unison to guide and protect, alert and connect, even entertain. It thinks like you, reacts like you, before you even know it. MiTEC delivers unsurpassed safety and next generation features to the modern-day driver.



Rear Cross Traffic Alert^{#1}

Rear Cross Traffic Alert system uses the rear side radar sensors to detect another vehicle approaching from the side when reversing. The system operates when the vehicle is in reverse at speeds below 8km/h. It can detect an approaching vehicle from approx. 20m away, alerting the driver via an audible chime and blinking BSW warning light in the side mirror.

Rear Automatic Emergency Braking^{#1}

Rear Automatic Emergency Braking system uses the rear parking sensors to detect obstacles behind the vehicle. If a risk of a collision with an obstacle is detected, audible and visual warnings are given and the system will automatically apply the brakes. Operates when vehicle is in reverse at speeds below 15km/h.

Lane Departure Warning

Lane departure Warning uses front camera to issue an alert if the vehicle drifts from its lane while the turn signals are not operating. The system operates at speeds above 60km/h, and will vibrate the steering wheel and flash the lane departure warning light.

Lane Departure Prevention

Lane Departure Prevention uses front camera to issue an alert if the vehicle drifts from its lane while turn signals are not operating. The system operates at speeds above 60km/h, and will vibrate the steering wheel and flash lane departure warning light. The vehicle will also apply the brakes on one side to help return the vehicle to the centre of the travelling lane.

Forward Collision Mitigation³

Forward Collision Mitigation system with pedestrian detection, cyclist detection and junction assist detects obstructions ahead and issues a visual and audible alert when there is a danger of collision and automatically applies the brakes to avoid collision or reduce impact speed/severity.

Blind Spot Warning² & Lane Change Assist²

Blind spot Warning uses the rear side radar sensors to detect another vehicle travelling or overtaking in the next lane behind. The system operates at speeds above 10km/h, and will illuminate the BSW warning light in the corresponding side mirror when a vehicle is in the detection zone. If driver activates the turn signal towards the corresponding hazard, the BSW lamp will blink and audible alert will sound twice.

Multi Around Monitor[#]

Multi Around Monitor provides a 360° birds-eye view of your car. The view from cameras mounted on the front, rear and sides of the vehicle (including birds-eye view) can be displayed in various combinations to reveal what is in blind spots and help you park more safely.

Rear View Camera

The Rear View Camera system automatically shows a rear view of the vehicle when the selector lever is placed in the 'R' position. The rear view image is displayed on the Smartphone-link Display Audio screen, and includes predictive guidelines based on steering wheel position.

Adaptive Cruise Control

Adaptive Cruise Control uses radar technology to detect any cars in the lane ahead and adjusts the speed of your car accordingly while maintaining a safe distance set by you.

Driver Attention Alert

Driver Attention Alert system monitors driving style and steering behaviour over a period of time, detecting changes to normal driving pattern. When the system detects that driver attention has deteriorated, audible and visual warnings are signaled to the driver suggesting 'take a break'.

Traffic Sign Recognition

Traffic Sign Recognition uses front camera to read speed limit signs and display the most recently recognised value in the multi-information display, and in the head-up display if equipped. If the vehicle exceeds the displayed speed limit value, the displayed value will begin to blink to warn the driver.

Hill Start Assist

Steep city streets or congested shopping mall ramps are no longer a problem with Mitsubishi's Hill Start Assist technology. It prevents the car from rolling backwards by maintaining braking force to give you time to move your foot from brake to accelerator.

Hill Descent Control

Drive downhill safely with peace of mind. Hill Descent Control automatically applies the brakes when travelling downhill to maintain vehicle speed so you can focus on steering.

Emergency Lane Assist

Emergency Lane Assist uses the front camera to detect the road edge and lane markings, and front radar to detect vehicles approaching from the front, while simultaneously using the rear side radar sensors to detect vehicles approaching from the rear. The system operates at speeds above 60km/h, and will vibrate the steering wheel and flash the lane departure warning light when activated. The vehicle will also apply the brakes on one side to help return the vehicle to the centre of the travelling lane.

Predictive Forward Collision Warning³

Predictive Forward Collision warning uses the front radar to detect sudden braking of the vehicle traveling ahead of the vehicle directly in front. The system operates at speeds above 5km/h and will flash a warning light and sound an audible alert.

[#]Please drive safely and never rely solely on these systems while driving. Drivers are fully responsible for their own safe driving. [#]Not available on ES models +Aspire, Exceed & Exceed Tourer models only.
¹. Do not rely solely on this system, which may not detect all moving vehicles in certain conditions. ². The detection and control capabilities of BSW and LCA are supplementary only and do not warn you of vehicles in blind spot every situation. BSW and LCA may not activate in some situations. ³. The detection and control capabilities of FCM are supplementary only and do not prevent collisions in every situation. Please read the operation manual carefully and be aware of these limitations.

	2WD			AWD				
	ES 5 SEAT	LS 5+2 SEAT	ASPIRE 5+2 SEAT	ES 5 SEAT	LS 5+2 SEAT	ASPIRE 5+2 SEAT	EXCEED 5+2 SEAT	EXCEED TOURER 5+2 SEAT
Speakers	6	6	6	6	6	6	10	10
Digital Audio Broadcast (DAB) radio	■	■	■	■	■	■	■	■
Bluetooth connectivity with voice control & audio streaming	■	■	■	■	■	■	■	■
AM/FM radio	■	■	■	■	■	■	■	■
USB input	2	2	2	2	2	2	2	2
Comfort and Convenience								
Smart key	-	■	■	-	■	■	■	■
One touch start system	■	■	■	■	■	■	■	■
Keyless entry with central door locking	■	■	■	■	■	■	■	■
Multifunction steering wheel controls	■	■	■	■	■	■	■	■
Tilt & telescopic steering column	■	■	■	■	■	■	■	■
Auto up/down driver control - all windows	-	■	■	-	■	■	■	■
Auto up/down driver control - driver side window	■	-	-	■	-	-	-	-
Side and rear window demisters	■	■	■	■	■	■	■	■
Electric sunroof with slide and tilt	-	-	-	-	-	-	-	-
Pull-up sunshade in rear door	-	-	-	-	-	-	■	■
Power tailgate	-	■	■	-	■	■	■	■
Cargo Cover	-	Retractable	-	-	Retractable	-	-	-
Smartphone wireless charger	-	■	■	-	■	■	■	■
Accessory socket (12V)	2	2	2	2	2	2	2	2
Second row seat USB power supply	-	2	2	-	2	2	2	2
Air Conditioning								
Climate control (No of zones)	2	2	2	2	2	2	3	3
Rear zone climate control	-	-	-	-	-	-	■	■
Rear air vents	■	■	■	■	■	■	■	■
Dust and pollen filter	■	■	■	■	■	■	■	■
Door handles	Body colour							
Two-tone body colour	-	-	-	-	-	-	-	■
Privacy glass	-	■	■	-	■	■	■	■
Roof rails	-	■	■	-	■	■	■	■
Rear spoiler	■	■	■	■	■	■	■	■
Wheel arch moulding	Material black							
Lights								
Headlights low beam	LED							
Headlights high beam	LED							
Headlight levelling function	Manual	Manual	Auto	Manual	Manual	Auto	Auto	Auto
Daytime Running Lights (DRL)	LED							
Fog lights (front)	-	LED	LED	-	LED	LED	LED	LED
Brake lights	LED							
Door Mirrors								
Electric adjustment	■	■	■	■	■	■	■	■
Electric fold control	-	■	■	-	■	■	■	■
Heating function	-	■	■	-	■	■	■	■
Memory function	-	-	-	-	-	-	■	■
Reverse auto tilt	-	-	-	-	-	-	■	■
Finish	Body colour							
Styling								
Leather bound steering wheel	-	■	■	-	■	■	■	■
Leather bound gearshift	-	■	■	-	■	■	■	■
Carpet floor covering	■	■	■	■	■	■	■	■
Seating								
Leather appointed seats	-	-	-	-	-	-	■	■
Microsuede seat trim with synthetic leather bolster	-	-	■	-	-	■	-	-
Cloth seat trim	■	■	-	■	■	-	-	-
Heated front seats	-	-	■	-	-	■	■	■
Driver's seat power adjustment	-	-	■	-	-	■	■	■
Driver's seat manual adjustment	■	■	-	■	■	-	-	-
Driver's seat lumbar adjustment	■	■	■	■	■	■	■	■
Driver's seat memory function	-	-	-	-	-	-	■	■
Driver's seat massage function	-	-	-	-	-	-	-	■
Front passenger's seat power adjustment	-	-	-	-	-	-	■	■

	2WD			AWD				
	ES 5 SEAT	LS 5+2 SEAT	ASPIRE 5+2 SEAT	ES 5 SEAT	LS 5+2 SEAT	ASPIRE 5+2 SEAT	EXCEED 5+2 SEAT	EXCEED TOURER 5+2 SEAT
Front passenger's seat manual adjustment	■	■	■	■	■	■	-	-
Front passenger's seat memory function	-	-	-	-	-	-	■	■
Front passenger's seat massage function	-	-	-	-	-	-	-	■
2nd row centre armrest with cupholders	■	■	■	■	■	■	■	■
2nd row split folding function	40:20:40							
2nd row slide and recline adjustment	-	■	■	-	■	■	■	■
2nd row recline adjustment	■	■	■	■	■	■	■	■
One touch fold seat storage	■	■	■	■	■	■	■	■
3rd row split folding function	-	■	■	-	■	■	■	■
3rd row recline adjustment	-	■	■	-	■	■	■	■
Storage								
Centre console with storage box and lid	■	■	■	■	■	■	■	■
Cup holders	4	6	6	4	6	6	6	6
Bottle holders	4							
Sunglasses storage	■	■	■	■	■	■	■	■
Door pockets - front and rear	■	■	■	■	■	■	■	■
Seat back pocket - passenger	■	■	■	■	■	■	■	■
Seat back pocket - driver and passenger	-	-	-	-	-	-	-	■
Exterior Dimensions								
Overall length (mm)	4710							
Overall width (mm)	1862							
Overall height (mm)	1740	1745		1740	1745			
Wheelbase (mm)	2706							
Turning circle, kerb to kerb (m)	10.6							
Approach angle (degrees)	18	18.3		18	18.3			
Departure angle (degrees)	22.1	22.2		22.1	22.2			
Ramp breakover angle (degrees)	17.8	18.1		17.8	18.1			
Ground clearance (mm) - minimum, unladen	205	210		205	210			
Interior Dimensions								
Front head room (mm)	985							
Front leg room (mm)	1058							
Front shoulder room (mm)	1470							
2nd row head room (mm)	951							
2nd row leg room (mm)	1014							
2nd row shoulder room (mm)	1420							
3rd row head room (mm)	-	875		-	875			
3rd row leg room (mm)	-	474		-	474			
3rd row shoulder room (mm)	-	1300		-	1300			
Weights and Capacities								
Kerb mass (kg)	1585	1645	1670	1640	1700	1725	1760	1760
Gross vehicle mass (GVM) - (kg)	2245	2355	2355	2245	2355	2355	2355	2355
Gross combination mass (GCM) - (kg)	3845	3955	3955	3845	3955	3955	3955	3955
Maximum payload (kg)	660	710	685	605	655	630	595	595
Maximum front axle load (kg)	1210							
Maximum rear axle load (kg)	1365							
Towing capacity - braked (kg)	1600							
Towing capacity - unbraked (kg)	750							
Towing capacity - maximum towball load (kg)	160							
Maximum roof load (kg)	80							
Weights and Capacities								
Capacity (L) - VDA (to top of 2nd row seat back)	485	478		485	478			
Capacity (L) - VDA (to top of 3rd row seat back)	-	163		-	163			
Capacity (L) - VDA (max. capacity to roof - all rear seats folded)	1478	1473		1478	1473		1461	
Cargo room length (mm) - all seats up	941	974		941	974			
Cargo room length (mm) - with all rear seats folded	1717							
Cargo room length (mm) - with 3rd row seats folded	-	974		-	974			
Cargo room width (mm)	1380							
Cargo room height (mm)	870							
Width between wheel arches (mm)	1156							

*Australian Standard ADR 81/02. Figures to be used for comparison across vehicles. Driving conditions will affect actual results.

MODEL FEATURES



ES 2WD PETROL 5 SEAT

FEATURES:

- 2.5L Direct Injection Petrol Engine
- Active Yaw Control (AYC)
- 5 Drive Modes
- CVT Auto Transmission With Manual Shift Mode
- One Touch Start System
- Paddle Shift
- Electric Park Brake
- 18" Silver Finish Alloy Wheels
- LED Headlights With Manual Levelling Device
- LED Daytime Running Lights (DRL)
- LED Front Turn Signal
- 8 SRS Airbags
- Rear Spoiler LED High Stop Lamp
- Dual Zone Air Conditioning
- 40:20:40 Split Fold 2nd Row Seat With Recline Adjustment
- Active Stability Control (ASC)
- Traction Control
- Terrain Control
- Cruise Control
- Smartphone link Display Audio (SDA) With 9-inch Touchscreen & Satellite Navigation
- 6 Speakers Including 2 Tweeters
- Wireless Apple CarPlay
- Android Auto™
- Bluetooth Connectivity With Voice Control & Audio Streaming
- Digital Audio Broadcast (DAB+) Radio
- Cloth Seat Trim
- Full Size Alloy Spare Wheel & Tyre

MITEC Mitsubishi Motors Intuitive Technology

- Forward Collision Mitigation (FCM) With Pedestrian & Cyclist Detection & Junction Assist
- Adaptive Cruise Control (ACC)
- Blind Spot Warning (BSW) & Lane Change Assist (LCA)
- Blind Spot Warning
- Emergency Lane Assist (ELA)
- Lane Departure Warning (LDW)
- Lane Departure Prevention (LDP)
- Rear View Camera
- Hill Start Assist
- Hill Descent Control
- Driver Attention Alert
- Traffic Sign Recognition (TSR)
- Trailer Stability Assist (TSA)

ES AWD PETROL 5-SEAT

INCLUDES ALL ES 2WD 5-SEAT PLUS:

- Super All Wheel Control (S-AWC)
- 6 Drive Modes



LS 2WD PETROL 5+2 SEAT

INCLUDES ALL ES 2WD 5 SEAT FEATURES (EXCLUDING FULL SIZE SPARE) PLUS:

- Privacy Glass
- LED Front Fog Lights
- 5+2 Seat Capacity
- Silver Roof Rails
- Leather Steering Wheel
- Leather Gearshift Knob
- Power Tailgate With One Touch Open & Hands-Free Operation
- Smart Key Keyless Operation System
- Smartphone Wireless Charger
- 2 x USB Power Socket In Rear Console
- Electrochromatic Rear View Mirror
- Space Saver Spare Wheel
- 40:20:40 Split Fold 2nd Row Seat With Slide & Recline Adjustment

MITEC Mitsubishi Motors Intuitive Technology

- Rear Automatic Emergency Braking
- Rear Cross Traffic Alert (RCTA)
- Auto Dusk Sensing Headlights
- Auto Rain Sensing Wipers
- Auto High Beam System (AHB)

LS AWD PETROL 5+2 SEAT

INCLUDES ALL LS 2WD 5+2 SEAT FEATURES PLUS:

- Super All Wheel Control (S-AWC)
- 6 Drive Modes



ASPIRE 2WD PETROL 5+2 SEAT

INCLUDES ALL LS 2WD 5+2 SEAT FEATURES PLUS:

- 20" Two-Tone Alloy Wheels
- Microsuede Seat Trim With Synthetic Leather Bolster
- LED Headlights With Automatic Levelling Device
- Adaptive Driving Beam (ADB)
- Power Driver Seat – Slide, Recline, Height & Lumbar Support
- Heated Driver & Front Passenger Seat With Seat Heater in Cushion & Back
- 12.3-inch Digital Driver Display
- Head-Up Display

MITEC Mitsubishi Motors Intuitive Technology

- Multi Around Monitor (MAM)

ASPIRE AWD PETROL 5+2 SEAT

INCLUDES ALL ASPIRE 2WD 5+2 SEAT FEATURES PLUS:

- Super All Wheel Control (S-AWC)
- 6 Drive Modes



EXCEED AWD PETROL 5+2 SEAT

INCLUDES ALL ASPIRE AWD 5+2 SEAT FEATURES PLUS:

- Panoramic Sunroof – Front Tilt/Slide With One Touch Open & Close. Rear Fixed.
- Black Leather Appointed Seat Trim
- Light Grey Leather Appointed Seat Trim (Optional)
- Power Passenger Seat – Slide, Recline, Height & Lumbar Support
- Driver & Passenger Front Seat With Memory
- Aluminium Gearshift Trim Panel
- Pull-Up Roll Sunshade In Rear Door Trim
- Tri-Zone Climate Control With Rear Climate Control Panel
- Unique Illumination In Front Door Trim
- Electric Door Mirrors With Memory & Reverse Auto Tilt
- BOSE™ Premium Sound System With 10 Speakers



EXCEED TOURER AWD PETROL 5+2 SEAT

INCLUDES ALL EXCEED AWD 5+2 SEAT FEATURES PLUS:

- Two-Tone Exterior Body Colour
- Two-Tone High Grade Leather Appointed Seat Trim
- Driver & Passenger Seat Massage Function



OUTLANDER

MAKE YOUR MARK. STAY GENUINE.

Make the Outlander truly your own with Mitsubishi Genuine Accessories. Each and every one goes through an extensive program of design, development and stringent testing to ensure they meet all applicable government standards as well as Mitsubishi's own rigorous engineering specifications and performance targets.



MITSUBISHI
DIAMOND
ADVANTAGE
GENUINE ACCESSORIES

**NOT GENUINE?
DON'T RISK IT.**



Front Corner Garnish



Side Under Garnish



Rear Corner Garnish



Tailgate Spoiler



Front Skid Garnish



Rear Bumper Garnish



Alloy Wheel 18" (Black Diamond Cut)



Black Alloy Wheel 20"



Engine Hood Emblem (Chrome)



Hood Protector (Tinted)



Side Window Deflectors



Mud Guards



Nudge Bar (Black)



Cargo Barrier



Tow Bar



Electric Trailer Brake Kit



Roof Carrier



Thule Bike Carrier



Floor Mats



All Weather Floor Mats



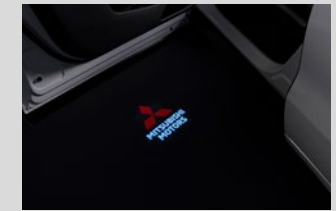
Roll Sunshade



Cargo Protector



Floor Illumination



Projection Illumination

Mitsubishi genuine accessories have been designed to maintain the integrity of your vehicle and work with all driving systems. Please ensure if fitting non-genuine accessories that they do not interfere with any of the vehicle safety sensors as this may lead to system malfunction and/or false activation. Some accessories are not offered by Mitsubishi on certain models as they interfere with vehicle safety sensors. GENUINE ACCESSORY WARRANTY Mitsubishi Motors Australia Limited warrants that Genuine Accessories will be free from defects in material under conditions of normal use and service within Australia. When Genuine Accessories are fitted prior to the owner taking delivery of the vehicle, Genuine Accessories are covered by a 36 month or 100,000km Warranty. When Genuine Accessories are fitted after the owner has taken delivery of the new Vehicle, Genuine Accessories are warranted for whichever is the greater of the following • The balance of the 36 months or 100,000km (whichever occurs first) from date of vehicle delivery; or • 12 months or 20,000km (whichever occurs first) from date of fitment. Pictures shown are for illustration purpose and may not be product specific. Please check with your Mitsubishi dealer for specific model application.

COLOUR



White (S)



White Diamond (X)



Sterling Silver (M)



Titanium (M)



Red Diamond (X)



Cosmic Blue (P)



Black Diamond (X)



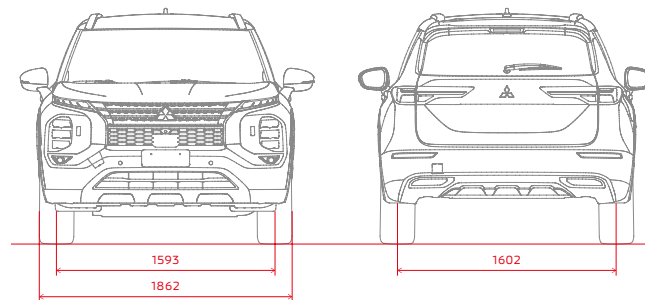
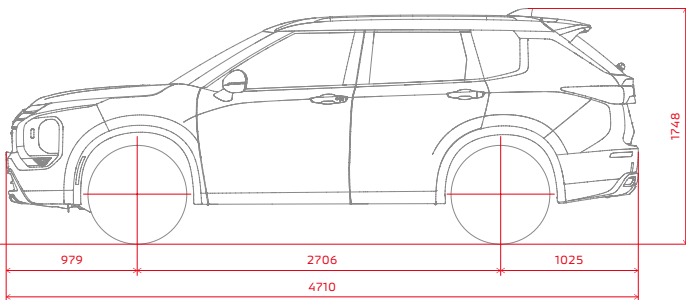
Deep Bronze/Black Diamond*



Black Mica/White Diamond*

(M) Metallic
(P) Pearlescent
(X) Prestige
*Two-tone
Exceed Tourer only

EXTERIOR DIMENSIONS (MM)



UPHOLSTERY



ES/LS
Black Cloth



ASPIRE
Microsuede Facings With
Synthetic Leather Bolster



EXCEED
Black Leather Appointed*
Light Grey Leather Appointed*
(Optional)



EXCEED TOURER
Black/Saddle Tan Two-Tone
Leather Appointed*



BOOK A TEST DRIVE



BUILD AND PRICE

AUSTRALIA'S FIRST

10
YEARS
NEW CAR WARRANTY

10
YEARS
CAPPED PRICE SERVICING

MITSUBISHI DIAMOND ADVANTAGE

WHEN ALL SCHEDULED SERVICES ARE COMPLETED
AT A MITSUBISHI DEALERSHIP

All Mitsubishi Motors vehicles come with the Mitsubishi Diamond Advantage[#] – 10 Years Warranty* and 10 Years Capped Price Servicing[^] and Roadside Assistance so that no matter where the road takes you, we will be there with you. Ask your Dealer or visit mitsubishi-motors.com.au to find out more.

[†]Leather appointed seats are a combination of genuine and artificial leather, and are not wholly leather. *Conditions apply. Excludes Government, Rental and National Business customers. See Mitsubishi-motors.com.au for further details. *10 Year/200,000km New Car Warranty (whichever occurs first and when all scheduled services are completed at a Mitsubishi Dealership). *10 Year/150,000km Capped Price Servicing (whichever occurs first). Includes the first 10 regular services (at 15,000km/12 month scheduled intervals). Some items excluded or subject to separate warranty. Any non-regular service/repair items are at an additional cost. Servicing must be completed by a Mitsubishi Dealer within 7,500kms or 6 months of the service due date. Valid from date of vehicle registration. Always consult your authorised Mitsubishi Dealer for the latest details, options, availability and conditions on New Vehicle warranty. All product illustration and specifications referred to herein are believed to be correct at the time of publication approval. Subject to any applicable Federal, State or Territory Laws or ordinances, which may apply from time to time. Mitsubishi Motors Australia Limited reserves the right, without notice, or obligation, to discontinue or make changes to designs, specifications, colours and material of the options and products referred herein at any time without incurring any liability to any purchase thereof. Mitsubishi Motors Australia Limited. ABN 53 007 870 395 © Mitsubishi Motors Australia Limited. ABN 53 007 870 395 OUT1121 22MY MMA2295