

SIERRA HD MODELS

2023 FEATURES, SPECS AND OPTIONS



We have tried to make this guide comprehensive and factual. We reserve the right, however, to make changes at any time, without notice, in prices, colors, materials, equipment, specifications, models and availability. Specifications, dimensions, measurements, ratings and other numbers in this guide and other printed materials provided at the dealership or affixed to vehicles are approximations based on design and engineering drawings, prototypes and laboratory tests. Your vehicle may differ due to variations in manufacture and equipment. Since some information may have been updated since the time of publication, please check with your GMC dealer for complete details.

GMC
WE ARE PROFESSIONAL GRADE



PRO



SLE



SLT



AT4



DENALI

YOUR SIERRA HD AWAITS

KEY FEATURES

See your GMC dealer or gmc.com for more feature details and requirements.

EXTERIOR

Vertical Trailing Mirrors (See gmc.com or Your Dealer for More Feature Details)

World's First Six-Function GMC MultiPro™ Tailgate

MultiPro Audio System by KICKER®¹ (Accessory)

Spray-on Bedliner

12 Cargo Bed Tie-Downs

Front Recovery Hooks²

Side Bed Steps

CornerStep Rear Bumper

LED Fog Lamps

LED Roof Marker Lamps (Standard on All 3500 HD Dual Rear Wheel [DRW] Models)

LED Wheel Arch Lamps

Power-Retractable Assist Steps With LED Perimeter Lighting

PRO

SLE

SLT

AT4

DENALI

●

●

●

●

●

○

●

●

●

●

—

○

○

○

○

○

○

○

●

●

●

●

●

●

●

●

●

●

●

●

●

●

●

●

●

●

●

●

●

●

—

○

●

●

●

○

○

○

○

●

●

●

●

●

●

—

—

—

○

○

● Standard ○ Available — Not Available

¹Non-GM warranty. Limited warranty by KICKER®, 3 years/36,000 miles, whichever comes first. For more information, contact your dealer. ²To avoid the risk of injury, never use recovery hooks to tow a vehicle. For more information, see the Recovery Hooks section of the vehicle Owner's Manual.



PRO



SLE



SLT



AT4



DENALI

YOUR SIERRA HD AWAITS

KEY FEATURES

See your GMC dealer or gmc.com for more feature details and requirements.

INTERIOR

40/20/40 Front Bench Seat

Heated and Ventilated Front Bucket Seats

Heated Wrapped Steering Wheel

Rear Air Vents (Double Cab and Crew Cab Models)

Rear Seatback Storage

Premium Floor Liners With Removable Carpet Inserts

Bose® Premium Audio System With Richbass Woofer

	PRO	SLE	SLT	AT4	DENALI
40/20/40 Front Bench Seat	●	●	●	—	—
Heated and Ventilated Front Bucket Seats	—	—	○ ¹	● ¹	●
Heated Wrapped Steering Wheel	—	○	●	●	●
Rear Air Vents (Double Cab and Crew Cab Models)	●	●	●	●	●
Rear Seatback Storage	—	○	●	●	●
Premium Floor Liners With Removable Carpet Inserts	—	—	○	●	○
Bose® Premium Audio System With Richbass Woofer	—	—	○	○	●

● Standard ○ Available — Not Available

¹Feature will not function on certain models without dealer retrofit. See dealer for details.



PRO



SLE



SLT



AT4



DENALI

YOUR SIERRA HD AWAITS

KEY FEATURES

See your GMC dealer or gmc.com for more feature details and requirements.

CAPABILITY

6.6L Gasoline V8 Engine With Direct Injection

6.6L Duramax Turbo Diesel V8 Engine

Allison® 10-Speed Automatic Transmission

All-Terrain Tires (Single Rear Wheel [SRW] Models Only)
(Standard on All 3500 HD SRW Models)

Mud-Terrain¹ Tires (2500 Heavy Duty Models Only)

Traction Select System With Tow/Haul Mode

Digital Variable Steering Assist

Duralife Brake Rotors

Automatic-Locking Rear Differential

AutoTrac Transfer Case (2-Speed Active)

	PRO	SLE	SLT	AT4	DENALI
6.6L Gasoline V8 Engine With Direct Injection	●	●	●	●	●
6.6L Duramax Turbo Diesel V8 Engine	○	○	○	○	○
Allison® 10-Speed Automatic Transmission	○	○	○	○	○
All-Terrain Tires (Single Rear Wheel [SRW] Models Only) (Standard on All 3500 HD SRW Models)	○	○	●	●	●
Mud-Terrain ¹ Tires (2500 Heavy Duty Models Only)	—	—	—	○	—
Traction Select System With Tow/Haul Mode	—	●	●	●	●
Digital Variable Steering Assist	—	—	●	●	●
Duralife Brake Rotors	●	●	●	●	●
Automatic-Locking Rear Differential	●	●	●	●	●
AutoTrac Transfer Case (2-Speed Active)	—	○	○	●	●

● Standard ○ Available — Not Available

¹This tire has a reduction in conventional trailering capacity. Available on 2500 Heavy Duty models only. See your dealer for details.



PRO



SLE



SLT



AT4



DENALI

YOUR SIERRA HD AWAITS

KEY FEATURES

See your GMC dealer or gmc.com for more feature details and requirements.

SAFETY AND TECHNOLOGY

ProGrade™ Trailing System With In-Vehicle Trailing App¹

Extended-Hold Hill Start Assist

Multicolor 15" Diagonal Head-Up Display

Rear Camera Mirror²

High Definition Surround Vision² With 2 Trailer-View Camera Provisions

Bed View Camera² (Double Cab and Crew Cab Models)

Front and Rear Park Assist²

Lane Change Alert With Side Blind Zone Alert² (Side Blind Zone Alert and Rear Cross Traffic Alert and related features may not be available on all vehicles. See dealer for feature availability, or the window label for the features on a specific vehicle.)

Lane Departure Warning²

Forward Collision Alert²

Safety Alert Seat²

PRO

SLE

SLT

AT4

DENALI

—

○

●

●

●

●

●

●

●

●

—

—

—

○

○

—

—

—

○

○

—

—

○

○

●

○

○

○

○

●

○

○

○

○

●

○

○

○

○

○

—

○

○

○

●

○

○

○

○

●

—

—

○

○

●

● Standard ○ Available — Not Available

CONTINUED

¹App functionality and features vary with vehicle equipment and trim level. Data connection may be required. Some features require active service plan and working electrical system. Terms and limitations apply. ²Safety or driver-assistance features are no substitute for the driver's responsibility to operate the vehicle in a safe manner. Read the vehicle Owner's Manual for important feature limitations and information.



PRO



SLE



SLT



AT4



DENALI

YOUR SIERRA HD AWAITS

KEY FEATURES

See your GMC dealer or gmc.com for more feature details and requirements.

SAFETY AND TECHNOLOGY CONTINUED

Wireless Charging¹

Apple CarPlay^{®2} Compatibility (Wireless on SLT, AT4 and Denali)

Android Auto^{™3} Compatibility (Wireless on SLT, AT4 and Denali)

SiriusXM^{®4} (With Platinum Plan 3-Month Trial Subscription)

SiriusXM With 360L⁵ (With Platinum Plan 3-Month Trial Subscription)

PRO

SLE

SLT

AT4

DENALI

-

-

○

○

○

●

●

●

●

●

●

●

●

●

●

○

●

-

-

-

-

○

●

●

●

● Standard ○ Available - Not Available

¹Feature may not be available on certain vehicles. See dealer for feature availability. The system wirelessly charges one compatible mobile device. Some phones have built-in wireless charging technology and others require a special adapter/back cover. To check for phone or other device compatibility, see my.gmc.com/learn or consult your carrier.

²Vehicle user interface is a product of Apple[®] and its terms and privacy statements apply. Requires compatible iPhone[®] and data plan rates apply. Apple CarPlay, Siri, iPhone and Apple Music are trademarks of Apple, Inc., registered in the U.S. and other countries. ³To wirelessly use Android Auto on your car display, you need a compatible Android smartphone with an active data plan. You can check which smartphones are compatible at g.co/androidauto/requirements. Android and Android Auto are trademarks of Google LLC.

⁴If you decide to continue service after your trial, your selected subscription plan will automatically renew thereafter. You will be charged at then-current rates. Fees and taxes apply. To cancel, you must call SiriusXM at 1-866-635-2349. See SiriusXM Customer Agreement for complete terms at siriusxm.com. All fees and programming subject to change. ©2023 SiriusXM Radio, Inc. All rights reserved. ⁵Some features, including streaming content and listening recommendations, require GM connected vehicle services. GM connected vehicle services vary by vehicle model and require active service plan, working electrical system, cell reception and GPS signal. See onstar.com for details and limitations.



PRO



SLE



SLT



AT4



DENALI

YOUR SIERRA HD AWAITS

SELECT PACKAGES

See your GMC dealer or gmc.com for more package details and requirements.

PRO

CONVENIENCE PACKAGE Includes keyless entry, EZ-Lift Tailgate (power-lock and -release), tinted glass, LED cargo bed lighting, rear-window defogger, cruise control and outside power-adjustable vertical trairling mirrors with heated upper glass; Regular Cab also includes power windows (express-up/-down driver and express-down passenger) and power door locks

1SA DRIVER ALERT PACKAGE Includes Front and Rear Park Assist,¹ Lane Change Alert with Side Blind Zone Alert,¹ Rear Cross Traffic Alert¹ (Side Blind Zone Alert and Rear Cross Traffic Alert and related features may not be available on all vehicles. See dealer for feature availability, or the window label for the features on a specific vehicle.) and perimeter lighting

1SA SAFETY CONFIDENCE PACKAGE Includes Forward Collision Alert,¹ Automatic Emergency Braking,¹ cruise control, steering wheel audio controls and 4.2" diagonal Driver Information Center with color display

SLE

SLE CONVENIENCE PACKAGE Includes dual-zone climate control, 10-way power driver seat including power lumbar, heated driver and front outboard passenger seats,² heated steering wheel,² manual-tilt and -telescoping steering column, rear-window defogger, keyless open and start, steering-column lock, remote start, content theft alarm, front 40/20/40 split bench with under-seat storage on Crew Cab and Double Cab models, 2 charge-only USB ports³ for second row, LED cargo bed lighting, rear auxiliary 12-volt power outlet and fog lamps; Single Rear Wheel (SRW) models also include roof marker lamps and rear wheelhouse liners

SLE VALUE PACKAGE Includes SLE Convenience Package and spray-on bedliner (Crew Cab and Double Cab models)

SLE PREFERRED PACKAGE Includes 120-volt power outlet, 120-volt bed-mounted power outlet, Hitch Guidance with Hitch View,¹ 8" diagonal Premium GMC Infotainment System,⁴ SiriusXM with 360L⁵ (with Platinum Plan 3-month trial subscription), High Definition Rear Vision Camera,¹ 2 USB ports,³ in-vehicle Trailering App,⁶ Universal Home Remote, rear sliding power window (Crew Cab and Double Cab models) and cloth Rear-Seat Storage Package (Crew Cab models)

SLE REMOTE START PACKAGE Includes remote start and rear-window defogger

SLT

SLT CONVENIENCE PACKAGE Includes bucket seats with center console, ventilated front seats,² rear sliding power window, Universal Home Remote, 2 USB ports³ (inside console with bucket seats) with auxiliary input; Single Rear Wheel (SRW) models also include LED roof marker lamps

SLT PREFERRED PACKAGE Includes Bed View Camera,¹ High Definition Surround Vision¹ with 2 auxiliary trailer-view camera provisions, 8" diagonal Premium GMC Infotainment System⁴ with Navigation,⁷ Bose Premium Audio System with Richbass woofer and wireless charging⁸ (feature may not be available on certain vehicles; see dealer for feature availability)

SLT PREMIUM PACKAGE Includes SLT Convenience Package; SLT Preferred Package; Driver Alert Package I; spray-on bedliner; 6" rectangular, cab-length chrome assist steps (Crew Cab models only); and 6" rectangular chrome assist steps (Double Cab models only)

¹Safety or driver-assistance features are no substitute for the driver's responsibility to operate the vehicle in a safe manner. Read the vehicle Owner's Manual for important feature limitations and information. ²Feature will not function on certain models without dealer retrofit. See dealer for details. ³Not compatible with all devices. ⁴Functionality varies by model. Full functionality requires compatible Bluetooth® and smartphone, and USB connectivity for some devices. ⁵Some features, including streaming content and listening recommendations, require GM connected vehicle services. GM connected vehicle services vary by vehicle model and require active service plan, working electrical system, cell reception and GPS signal. See onstar.com for details and limitations. ⁶App functionality and features vary with vehicle equipment and trim level. Data connection may be required. Some features require active service plan and working electrical system. Terms and limitations apply. ⁷Map coverage available in the United States, Puerto Rico and Canada. ⁸The system wirelessly charges one compatible mobile device. Some phones have built-in wireless charging technology and others require a special adapter/back cover. To check for phone or other device compatibility, see my.gmc.com/learn or consult your carrier.

YOUR SIERRA HD AWAITS

SELECT PACKAGES CONTINUED

See your GMC dealer or gmc.com for more package details and requirements.

PRO



SLE



SLT



AT4



DENALI

AT4

AT4 PREFERRED PACKAGE Includes Bed View Camera,¹ High Definition Surround Vision¹ with 2 auxiliary trailer-view camera provisions, Universal Home Remote, rear sliding power window, 8" diagonal Premium GMC Infotainment System² with Navigation,³ Bose Premium Audio System with Richbass woofer, roof marker lamps and wireless charging⁴ (feature may not be available on certain vehicles; see dealer for feature availability)

AT4 PREMIUM PLUS PACKAGE Includes AT4 Preferred Package, Driver Alert Package I, Driver Alert Package II, 20" machined aluminum wheels with high-gloss black accents, power sunroof, Technology Package and AT4 high-clearance steps

DENALI

DENALI ULTIMATE PACKAGE Includes Technology Package and power sunroof

DENALI BLACK DIAMOND EDITION Includes 6.6L Duramax Turbo Diesel engine, Ebony Twilight Metallic exterior color, Denali Ultimate Package, auxiliary trailer camera, MultiPro Audio System by KICKER⁵ premium front and rear floor liners with removable carpet inserts, Trailer Tire Pressure Monitoring System,⁶ power-retractable assist steps with stainless-steel accents and LED perimeter lighting and 20" high-gloss black painted aluminum wheels (SRW models only)

ADDITIONAL PACKAGES

DRIVER ALERT PACKAGE I¹ Includes Front and Rear Park Assist, Lane Change Alert with Side Blind Zone Alert, Rear Cross Traffic Alert (Side Blind Zone Alert and Rear Cross Traffic Alert and related features may not be available on all vehicles. See dealer for feature availability, or the window label for the features on a specific vehicle.) and perimeter lighting (available on SLE, SLT and AT4)

DRIVER ALERT PACKAGE II¹ Includes Forward Collision Alert, Lane Departure Warning, Automatic Emergency Braking, IntelliBeam—auto high beams and Following Distance Indicator (available on SLE, SLT and AT4)

TECHNOLOGY PACKAGE Includes Rear Camera Mirror,¹ 8" digital Driver Information Center (AT4 models) and multicolor 15" diagonal Head-Up Display (available on AT4 and Denali)

X31 OFF-ROAD AND PROTECTION PACKAGE Includes off-road suspension with twin-tube Rancho[®] shocks, Hill Descent Control, skid plates, spray-on bedliner, all-weather floor liners, X31 badge on bed, plus either 18" 6-spoke machined aluminum wheels with Dark Gray Metallic accents and all-terrain blackwall tires on SLE or 20" 6-spoke machined aluminum wheels with Bright Silver accents and all-terrain blackwall tires on SLT (available on SRW Double Cab and Crew Cab SLE and SLT)

X31 OFF-ROAD PACKAGE Requires 4WD model. Includes off-road suspension with twin-tube Rancho shocks, Hill Descent Control, skid plates and X31 hard badge on bed. Not available with Dual Rear Wheel (DRW) models (available on SRW Pro, SLE and SLT).

SNOW PLOW PREP/CAMPER PACKAGE Requires 4WD model. Includes 220-amp alternator, increased front GAWR, skid plates, pass-through dash grommet hole and roof emergency light provisions (available on all trims).

GOOSENECK/FIFTH-WHEEL PREP PACKAGE Includes hitch platform with tray to accept ball, stamped bed holes with removable caps installed, integrated trailer brake controller on Pro models and bed-mounted 7-pin trailer harness. Additional package content including Bed View Camera¹ and spray-on bedliner varies by trim. See your dealer or gmc.com for more details (available on all trims).

HEAVY-DUTY FRONT SPRING/CAMPER PACKAGE Includes increased front GAWR (available on all trims)

¹Safety or driver-assistance features are no substitute for the driver's responsibility to operate the vehicle in a safe manner. Read the vehicle Owner's Manual for important feature limitations and information. ²Functionality varies by model. Full functionality requires compatible Bluetooth and smartphone, and USB connectivity for some devices. ³Map coverage available in the United States, Puerto Rico and Canada. ⁴The system wirelessly charges one compatible mobile device. Some phones have built-in wireless charging technology and others require a special adapter/back cover. To check for phone or other device compatibility, see my.gmc.com/learn or consult your carrier. ⁵Non-GM warranty. Limited warranty by KICKER[®], 3 years/36,000 miles, whichever comes first. For more information, contact your dealer. ⁶Requires available Trailer Tire Pressure Monitoring System and installation of trailer tire pressure monitor sensors.

YOUR SIERRA HD AWAITS



PRO



SLE



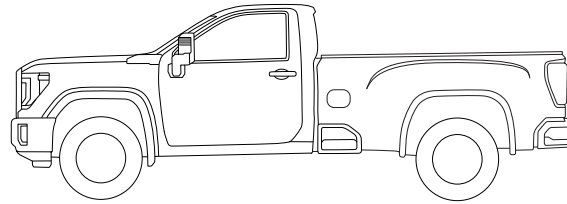
SLT



AT4

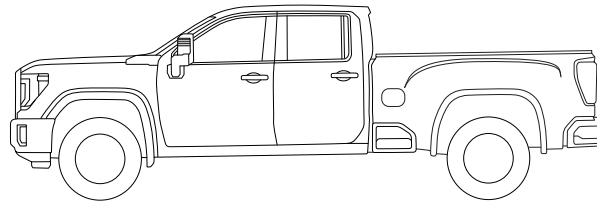


DENALI



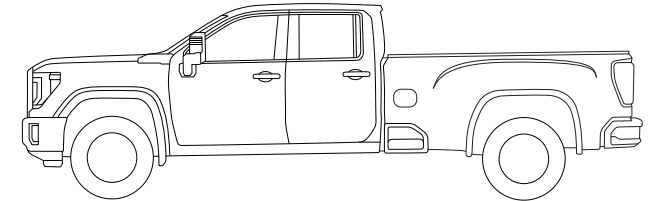
REGULAR CAB LONG BED

Available on Pro and SLE in single- or dual-rear-wheel configurations.



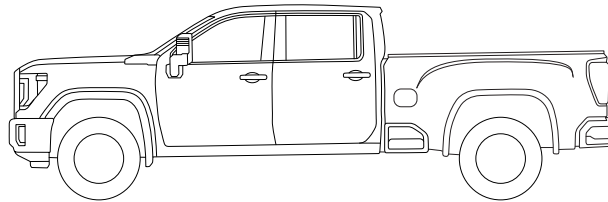
DOUBLE CAB STANDARD BED

Available on Pro, SLE and 2500 HD SLT in single-rear-wheel configurations.



DOUBLE CAB LONG BED

Available on Pro and SLE in single- or dual-rear-wheel configurations. Available on 2500 HD SLT in single-rear-wheel configuration only.



CREW CAB STANDARD BED

Available on Pro, SLE, SLT, AT4 and Denali in single-rear-wheel configurations.



CREW CAB LONG BED

Available on Pro, SLE, SLT and Denali in single- or dual-rear-wheel configurations. Available on AT4 in single-rear-wheel configuration only.

SIERRA HD REGULAR CAB SPECIFICATIONS

SIERRA 2500 REGULAR CAB

Sierra 2500 Heavy Duty comes in 2WD and 4WD Regular Cab models with an 8' long bed.

INSIDE BED HEIGHT

21.0"

GROUND CLEARANCE

10.2"

WHEELBASE

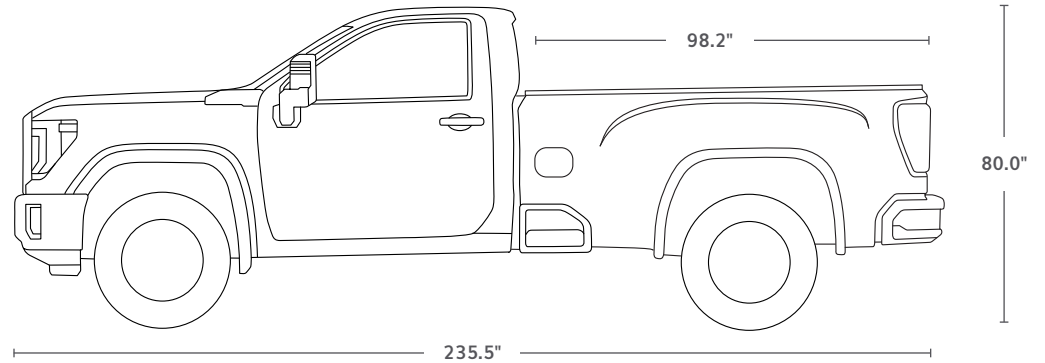
141.6"

MAX CARGO VOLUME

83.5 cu. ft.¹

FRONT/REAR TREAD WIDTH

68.1"/68.3"



SIERRA 3500 REGULAR CAB

Sierra 3500 Heavy Duty comes in 2WD and 4WD Regular Cab models with an 8' long bed SRW or DRW configuration.

INSIDE BED HEIGHT

21.0"

GROUND CLEARANCE

SRW: 11.2"

DRW: 10.5"

WHEELBASE

141.6"

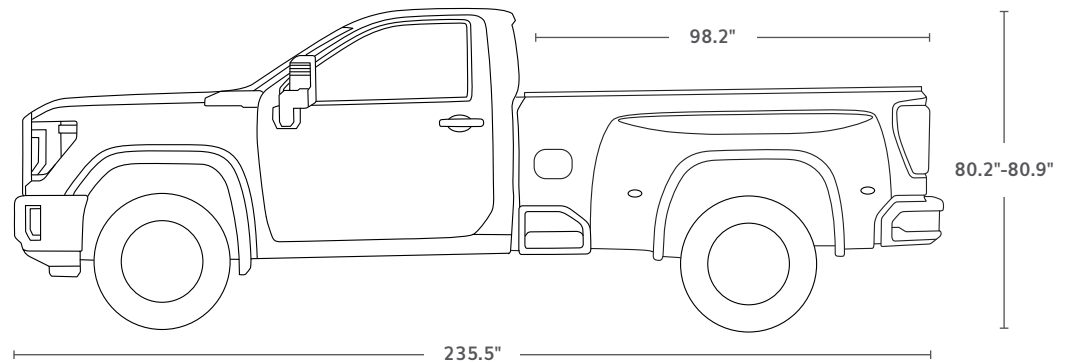
MAX CARGO VOLUME

83.5 cu. ft.¹

FRONT/REAR TREAD WIDTH

SRW: 68.1"/68.3"

DRW: 68.5"/75.0"



¹Cargo and load capacity limited by weight and distribution.

SIERRA HD DOUBLE CAB SPECIFICATIONS

SIERRA 2500 DOUBLE CAB

Sierra 2500 Heavy Duty comes in 2WD and 4WD Double Cab models with a 6' 9" standard bed or an available 8' long bed.

INSIDE BED HEIGHT

21.0"

GROUND CLEARANCE

10.2"

WHEELBASE

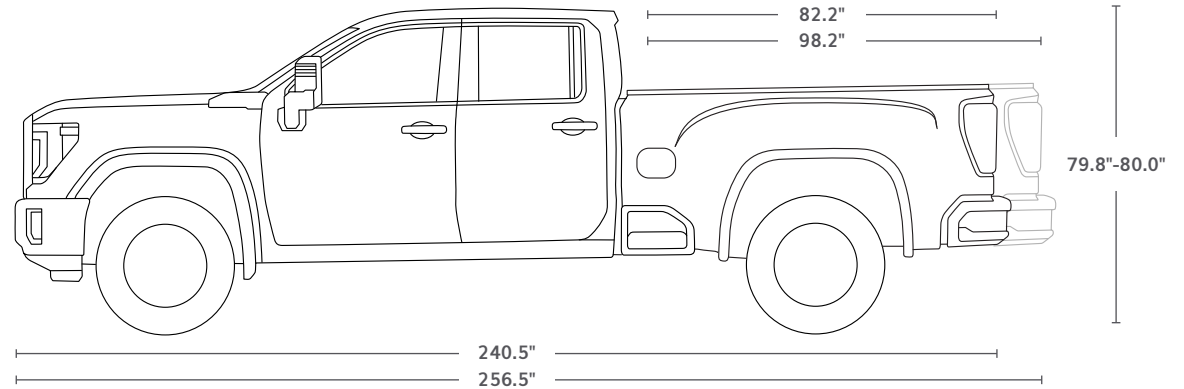
149.4"-162.5"

MAX CARGO VOLUME

69.6-83.5 cu. ft.¹

FRONT/REAR TREAD WIDTH

68.1"/68.3"



SIERRA 3500 DOUBLE CAB

Sierra 3500 Heavy Duty comes in 2WD and 4WD Double Cab models with an 8' long bed SRW or DRW configuration.

INSIDE BED HEIGHT

21.0"

GROUND CLEARANCE

SRW: 11.2"

DRW: 10.4"

WHEELBASE

162.5"

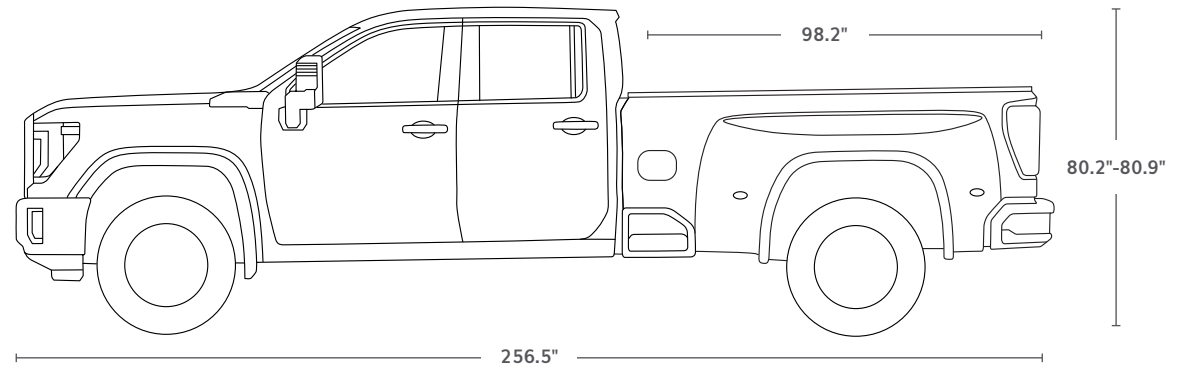
MAX CARGO VOLUME

83.5 cu. ft.¹

FRONT/REAR TREAD WIDTH

SRW: 68.1"/68.3"

DRW: 68.5"/75.0"



¹Cargo and load capacity limited by weight and distribution.

SIERRA HD CREW CAB SPECIFICATIONS

SIERRA 2500 CREW CAB

Sierra 2500 Heavy Duty comes in 2WD and 4WD Crew Cab models with a 6' 9" standard bed or an available 8' long bed.

INSIDE BED HEIGHT

21.0"

GROUND CLEARANCE

10.1"

WHEELBASE

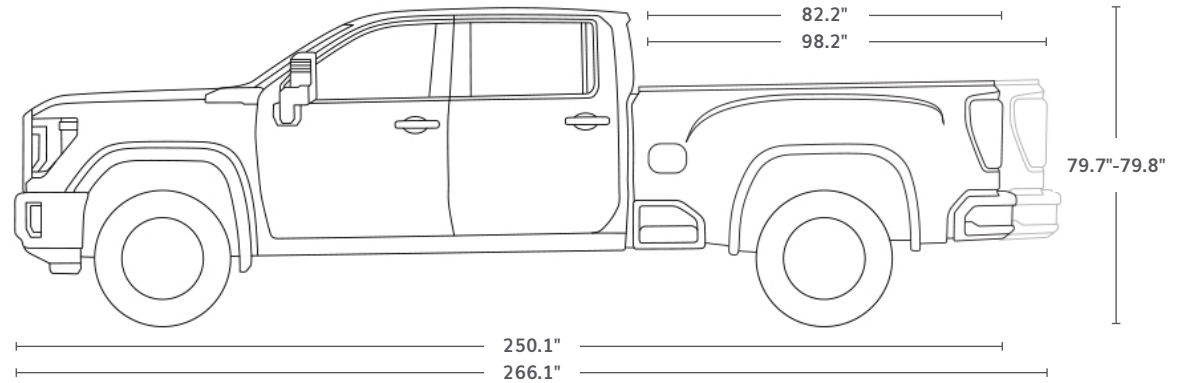
158.9"-172.0"

MAX CARGO VOLUME

69.6-83.5 cu. ft.¹

FRONT/REAR TREAD WIDTH

68.1"/68.3"



SIERRA 3500 CREW CAB

Sierra 3500 Heavy Duty comes in 2WD and 4WD Crew Cab models with either a 6' 9" standard bed or an available 8' long bed. Long bed is available with a SRW or DRW configuration.

INSIDE BED HEIGHT

21.0"

GROUND CLEARANCE

SRW: 11.1"-11.2"

DRW: 10.4"

WHEELBASE

158.9"-172.0"

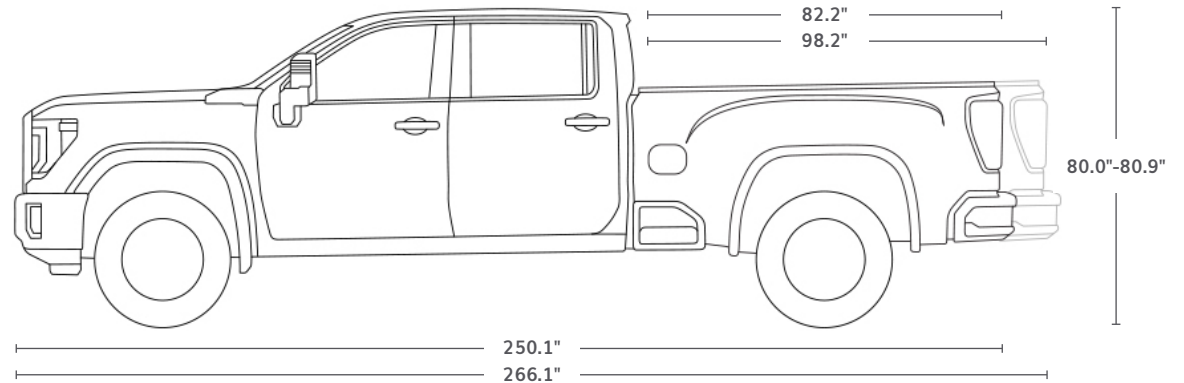
MAX CARGO VOLUME

69.6-83.5 cu. ft.¹

FRONT/REAR TREAD WIDTH

SRW: 68.1"/68.3"

DRW: 68.5"/75.0"



¹Cargo and load capacity limited by weight and distribution.

SIERRA HD TOWING



KEY TRAILERING FEATURES

- HEAVY-DUTY TRAILERING, UP TO 36,000 LBS¹
- AVAILABLE ALLISON 10-SPEED AUTOMATIC TRANSMISSION
- UP TO 15 AVAILABLE CAMERA VIEWS²
- AVAILABLE PROGRADE TRAILERING SYSTEM WITH IN-VEHICLE TRAILERING APP³
- AVAILABLE TRACTION SELECT SYSTEM WITH TOW/HAUL MODE
- SMART TRAILER INTEGRATION
- AVAILABLE HEAD-UP DISPLAY AND REAR CAMERA MIRROR⁴
- AVAILABLE WORLD'S FIRST SIX-FUNCTION GMC MULTIPRO TAILGATE

KEY SPECIFICATIONS

- MAXIMUM AVAILABLE GOOSENECK TRAILERING: 36,000 LBS¹
- MAXIMUM AVAILABLE FIFTH-WHEEL TRAILERING: 32,000 LBS⁵
- MAXIMUM AVAILABLE CONVENTIONAL TRAILERING: 20,000 LBS⁶
- MAXIMUM AVAILABLE HORSEPOWER: 445⁷
- MAXIMUM AVAILABLE TORQUE: 910 LB-FT⁷
- MAXIMUM AVAILABLE PAYLOAD: 7,442 LBS⁸
- MAXIMUM CARGO BED VOLUME: 83.5 CU. FT.⁹
- 12 CARGO TIE-DOWNS RATED AT 500 LBS¹⁰ PER CORNER
- MAXIMUM AVAILABLE SEATING CAPACITY OF 6¹¹

POWERTRAIN

- AVAILABLE 6.6L DURAMAX TURBO DIESEL V8 ENGINE PAIRED WITH AN ALLISON 10-SPEED AUTOMATIC TRANSMISSION
- 6.6L GAS V8 ENGINE PAIRED WITH 6L90 6-SPEED AUTOMATIC TRANSMISSION

¹36,000-lb rating requires properly equipped 3500 HD Regular Cab long bed DRW 2WD model equipped with available 6.6L Duramax Turbo Diesel V8 engine, Max Trailering Package and gooseneck hitch. Maximum trailering ratings are intended for comparison purposes only. Before you buy a vehicle or use it for trailering, carefully review the trailering section of the Owner's Manual. The trailering capacity of your specific vehicle may vary. The weight of passengers, cargo and options or accessories may reduce the amount you can trailer. ²Safety or driver-assistance features are no substitute for the driver's responsibility to operate the vehicle in a safe manner. Read the vehicle Owner's Manual for important feature limitations and information. Some camera views require available accessory camera and installation. Not compatible with all trailers. See your dealer for details. ³App functionality and features vary with vehicle equipment and trim level. Data connection may be required. Some features require active service plan and working electrical system. Terms and limitations apply. ⁴Safety or driver-assistance features are no substitute for the driver's responsibility to operate the vehicle in a safe manner. Read the vehicle Owner's Manual for important feature limitations and information. ⁵32,000-lb rating requires properly equipped 3500 HD Regular Cab long bed DRW 2WD model equipped with available 6.6L Duramax Turbo Diesel V8 engine and fifth-wheel hitch. Maximum trailering ratings are intended for comparison purposes only. Before you buy a vehicle or use it for trailering, carefully review the trailering section of the Owner's Manual. The trailering capacity of your specific vehicle may vary. The weight of passengers, cargo and options or accessories may reduce the amount you can trailer. ⁶Requires properly equipped 3500 HD Crew Cab model with available 6.6L Duramax Turbo Diesel V8 engine. Maximum trailering ratings are intended for comparison purposes only. Before you buy a vehicle or use it for trailering, carefully review the trailering section of the Owner's Manual. The trailering capacity of your specific vehicle may vary. The weight of passengers, cargo and options or accessories may reduce the amount you can trailer. ⁷Requires available 6.6L Duramax Turbo Diesel V8 engine. ⁸Requires properly equipped 3500 HD Regular Cab DRW long bed 2WD model with 6.6L gas V8 engine. These maximum payload ratings are intended for comparison purposes only. Before you buy a vehicle or use it to haul people or cargo, carefully review the vehicle loading section of the Owner's Manual and check the carrying capacity of your specific vehicle on the label on the inside of the driver's doorjamb. ⁹Requires long bed model. Cargo and load capacity limited by weight and distribution. ¹⁰Cargo and load capacity limited by weight and distribution. ¹¹Requires Double Cab or Crew Cab model with front 40/20/40 bench seat.

BIG-TIME PULLING CAPABILITY

6.6L DURAMAX TURBO DIESEL V8 ENGINE SPECIFICATIONS

MODEL	CAB	BED	MAX GVWR (LBS) ¹	MAX GCWR (LBS) ²	MAX CONVENTIONAL TRAILER WEIGHT RATING (LBS) ³	MAX FIFTH-WHEEL TRAILER WEIGHT RATING (LBS) ³	MAX GOOSENECK TRAILER WEIGHT RATING (LBS) ³	MAX PAYLOAD (LBS) ⁴
2500	Regular 2WD	Long	10,750	26,000	14,500	18,510	18,510	3,715
	Regular 4WD	Long	10,960	26,000	14,500	18,190	18,190	3,650
	Double 2WD	Standard	10,900	26,000	14,500	18,200	18,200	3,561
	Double 4WD	Standard	11,200	26,000	14,500	17,890	17,890	3,546
	Double 2WD	Long	11,100	26,000	14,500	18,040	18,040	3,595
	Double 4WD	Long	11,450	26,000	14,500	17,750	17,750	3,657
	Crew 2WD	Standard	11,050	27,500	18,500	18,500	18,500	3,553
	Crew 4WD	Standard	11,350	27,500	18,500	18,500 ⁵	18,500 ⁵	3,563 ⁶
	Crew 2WD	Long	11,200	27,500	18,500	18,500	18,500	3,536
	Crew 4WD	Long	11,550	27,500	18,500	18,500	18,500	3,597 ⁷
3500 SRW	Regular 2WD	Long	11,500	29,700	14,500	21,500	21,500	4,215
	Regular 4WD	Long	11,800	29,700	14,500	21,500	21,500	4,217
	Double 2WD	Long	11,850	29,700	14,500	21,490	21,490	4,130
	Double 4WD	Long	12,150	29,700	14,500	21,210	21,210	4,148
	Crew 2WD	Standard	11,750	29,700	20,000	21,500	21,500	4,135
	Crew 4WD	Standard	12,100	29,700	20,000	21,300 ⁸	21,300 ⁸	4,185 ⁹
	Crew 2WD	Long	11,900	29,700	20,000	21,330	21,330	4,013
	Crew 4WD	Long	12,250	29,700	20,000	21,040 ¹⁰	21,040 ¹⁰	4,078 ¹¹
3500 DRW	Regular 2WD	Long	14,000	43,900	20,000	32,000	36,000 ¹²	6,523
	Regular 4WD	Long	14,000	40,000	20,000	31,760	31,760	6,196
	Double 2WD	Long	14,000	40,000	20,000	31,500	31,500	6,059
	Double 4WD	Long	14,000	40,000	20,000	31,340	31,340	5,777
	Crew 2WD	Long	14,000	40,000	20,000	31,400	31,400	5,892
	Crew 4WD	Long	14,000	40,000	20,000	31,180 ¹³	31,180 ¹³	5,662 ¹⁴

¹Maximum Gross Vehicle Weight Rating (GVWR). When properly equipped; includes weight of vehicle, passengers, cargo and equipment. ²Gross Combination Weight Rating (GCWR) when properly equipped; includes weight of vehicle and trailer combination, including the weight of driver, passengers, fuel, optional equipment and cargo in the vehicle and trailer. ³Requires properly equipped vehicle. Maximum trailering ratings are intended for comparison purposes only. Before you buy a vehicle or use it for trailering, carefully review the trailering section of the Owner's Manual. The trailering capacity of your specific vehicle may vary. The weight of passengers, cargo and options or accessories may reduce the amount you can trailer. ⁴These maximum payload ratings are intended for comparison purposes only. Before you buy a vehicle or use it to haul people or cargo, carefully review the vehicle loading section of the Owner's Manual and check the carrying capacity of your specific vehicle on the label on the inside of the driver's doorjamb. ⁵Denali max rating is 17,860 lbs. ⁶AT4 max rating is 3,331 lbs. Denali max rating is 3,162 lbs. ⁷AT4 max rating is 3,439 lbs. Denali max rating is 3,319 lbs. ⁸AT4 max rating is 21,130 lbs. Denali max rating is 21,010 lbs. ⁹AT4 max rating is 4,016 lbs. Denali max rating is 3,897 lbs. ¹⁰AT4 max rating is 21,010 lbs. Denali max rating is 20,890 lbs. ¹¹AT4 max rating is 4,050 lbs. Denali max rating is 3,931 lbs. ¹²Requires available Max Trailering Package and gooseneck hitch. ¹³Denali max rating is 30,990 lbs. ¹⁴Denali max rating is 5,472 lbs.

BIG-TIME PULLING CAPABILITY

6.6L GAS V8 ENGINE SPECIFICATIONS

MODEL	CAB	BED	MAX GVWR (LBS) ¹	MAX GCWR (LBS) ²	MAX CONVENTIONAL TRAILER WEIGHT RATING (LBS) ³	MAX FIFTH-WHEEL TRAILER WEIGHT RATING (LBS) ³	MAX GOOSENECK TRAILER WEIGHT RATING (LBS) ³	MAX PAYLOAD (LBS) ⁴
2500	Regular 2WD	Long	10,150	24,000	14,500	17,370	17,370	3,979
	Regular 4WD	Long	10,450	24,000	14,500	17,060	17,060	3,965
	Double 2WD	Standard	10,250	24,000	14,500	17,050	17,050	3,762
	Double 4WD	Standard	10,550	24,000	14,500	16,740	16,740	3,747
	Double 2WD	Long	10,400	24,000	14,500	16,930	16,930	3,792
	Double 4WD	Long	10,750	24,000	14,500	16,650	16,650	3,854
	Crew 2WD	Standard	10,350	24,000	14,500	16,940	16,940	3,751
	Crew 4WD	Standard	10,650	24,000	14,500	16,650 ⁵	16,650 ⁵	3,760 ⁶
	Crew 2WD	Long	10,500	24,000	14,500	16,840	16,840	3,800
	Crew 4WD	Long	10,850	24,000	14,500	16,550 ⁷	16,550 ⁷	3,862 ⁸
3500 SRW	Regular 2WD	Long	10,750	24,000	14,500	17,200	17,200	4,481
	Regular 4WD	Long	11,100	24,000	14,500	16,950	16,950	4,534
	Double 2WD	Long	11,100	24,000	14,500	16,700	16,700	4,373
	Double 4WD	Long	11,400	24,000	14,500	16,500	16,500	4,391
	Crew 2WD	Standard	11,000	24,000	14,500	16,700	16,700	4,316
	Crew 4WD	Standard	11,350	24,000	14,500	16,530 ⁹	16,530 ⁹	4,365 ¹⁰
	Crew 2WD	Long	11,150	24,000	14,500	16,700	16,700	4,333
	Crew 4WD	Long	11,500	24,000	14,500	16,410 ¹¹	16,410 ¹¹	4,398 ¹²
3500 DRW	Regular 2WD	Long	14,000	24,000	16,800	16,800	16,800	7,442
	Regular 4WD	Long	14,000	24,000	16,800	16,710	16,710	7,145
	Double 2WD	Long	14,000	24,000	16,400	16,400	16,400	6,985
	Double 4WD	Long	14,000	24,000	16,390	16,270	16,270	6,703
	Crew 2WD	Long	14,000	24,000	16,300	16,200	16,200	6,894
	Crew 4WD	Long	14,000	24,000	16,240 ¹³	16,120 ¹⁴	16,120 ¹⁴	6,610 ¹⁵

¹Maximum Gross Vehicle Weight Rating (GVWR). When properly equipped; includes weight of vehicle, passengers, cargo and equipment. ²Gross Combination Weight Rating (GCWR) when properly equipped; includes weight of vehicle and trailer combination, including the weight of driver, passengers, fuel, optional equipment and cargo in the vehicle and trailer. ³Requires properly equipped vehicle. Maximum trailering ratings are intended for comparison purposes only. Before you buy a vehicle or use it for trailering, carefully review the trailering section of the Owner's Manual. The trailering capacity of your specific vehicle may vary. The weight of passengers, cargo and options or accessories may reduce the amount you can trailer. ⁴These maximum payload ratings are intended for comparison purposes only. Before you buy a vehicle or use it to haul people or cargo, carefully review the vehicle loading section of the Owner's Manual and check the carrying capacity of your specific vehicle on the label on the inside of the driver's doorjamb. ⁵AT4 max rating is 16,380 lbs. Denali max rating is 16,260 lbs. ⁶AT4 max rating is 3,514 lbs. Denali max rating is 3,395 lbs. ⁷AT4 max rating is 16,270 lbs. Denali max rating is 16,150 lbs. ⁸AT4 max rating is 3,608 lbs. Denali max rating is 3,488 lbs. ⁹AT4 max rating is 16,330 lbs. Denali max rating is 16,210 lbs. ¹⁰AT4 max rating is 4,168 lbs. Denali max rating is 4,049 lbs. ¹¹AT4 max rating is 16,210 lbs. Denali max rating is 16,090 lbs. ¹²AT4 max rating is 4,196 lbs. Denali max rating is 4,075 lbs. ¹³Denali max rating is 16,010 lbs. ¹⁴Denali max rating is 15,890 lbs. ¹⁵Denali max rating is 6,374 lbs.

BIG-TIME PULLING CAPABILITY

Most Sierra 2500 Heavy Duty models offer a 10,000-lb GVWR option for small businesses and commercial buyers. Contact the U.S. Department of Transportation and your local Department of Transportation to determine whether you may have additional registration or licensing requirements for these trucks.

SPECIFICATIONS

MODEL	CAB	BED	MAX GVWR (LBS) ¹	MAX GCWR (LBS) ²	MAX CONVENTIONAL TRAILER WEIGHT RATING (LBS) ³	MAX FIFTH-WHEEL TRAILER WEIGHT RATING (LBS) ³	MAX GOOSENECK TRAILER WEIGHT RATING (LBS) ³	MAX PAYLOAD (LBS) ⁴
6.6L DURAMAX TURBO DIESEL V8 ENGINE								
2500	Double 4WD	Standard	10,000	24,500	14,500	12,610	12,610	2,375
2500	Double 4WD	Long	10,000	24,500	14,500	11,690	11,690	2,236
2500	Crew 4WD with 17" wheels	Standard	10,000	26,000	14,500	11,720	11,720	2,241
2500	Crew 4WD with 18" or 20" wheels	Standard	10,000	26,000	17,850	11,530	11,530	2,213
2500	Crew 2WD with 17" wheels	Long	10,000	26,000	14,500	12,550	12,550	2,365
2500	Crew 2WD with 18" or 20" wheels	Long	10,000	26,000	17,970	12,350	12,350	2,336
2500	Crew 4WD with 17" wheels	Long	10,000	26,000	14,500	10,620	10,620	2,076
2500	Crew 4WD with 18" or 20" wheels	Long	10,000	26,000	16,560	10,240	10,240	2,047
6.6L GAS V8 ENGINE								
2500	Regular 2WD	Long	9,900	24,000	14,500	17,370	17,370	3,757
2500	Regular 4WD	Long	10,000	24,000	14,500	17,060	17,060	3,544
2500	Double 2WD	Standard	10,000	24,000	14,500	17,050	17,050	3,541
2500	Double 4WD	Standard	10,000	24,000	14,500	16,740	16,740	3,226
2500	Double 2WD	Long	10,000	24,000	14,500	16,930	16,930	3,420
2500	Double 4WD	Long	10,000	24,000	14,500	16,650	16,650	3,133
2500	Crew 2WD	Standard	10,000	24,000	14,500	16,940	16,940	3,429
2500	Crew 4WD	Standard	10,000	24,000	14,500	16,650	16,650	3,139
2500	Crew 2WD	Long	10,000	24,000	14,500	16,840	16,840	3,329
2500	Crew 4WD	Long	10,000	24,000	14,500	16,550	16,550	3,040

¹Maximum Gross Vehicle Weight Rating (GVWR). When properly equipped; includes weight of vehicle, passengers, cargo and equipment. ²Gross Combination Weight Rating (GCWR) when properly equipped; includes weight of vehicle and trailer combination, including the weight of driver, passengers, fuel, optional equipment and cargo in the vehicle and trailer. ³Requires properly equipped vehicle. Maximum trailering ratings are intended for comparison purposes only. Before you buy a vehicle or use it for trailering, carefully review the trailering section of the Owner's Manual. The trailering capacity of your specific vehicle may vary. The weight of passengers, cargo and options or accessories may reduce the amount you can trailer. ⁴These maximum payload ratings are intended for comparison purposes only. Before you buy a vehicle or use it to haul people or cargo, carefully review the vehicle loading section of the Owner's Manual and check the carrying capacity of your specific vehicle on the label on the inside of the driver's doorjamb.

POWERTRAIN SPECIFICATIONS



ENGINE SPECIFICATIONS

ENGINE	BORE & STROKE (IN./MM)	BLOCK MATERIAL	CYLINDER HEAD MATERIAL	COMPRESSION RATIO	VALVETRAIN	FUEL DELIVERY	HORSEPOWER	TORQUE
6.6L Duramax Turbo Diesel V8	4.05 x 3.89 / 103 x 99	Cast iron	Cast aluminum	16.0:1	Overhead valve, four valves per cylinder	Common-rail direct fuel injection	445 @ 2800	910 @ 1600
6.6L Gas V8	4.06 x 3.86 / 103.25 x 98	Cast iron with nodular iron main caps	Cast aluminum	10.75:1	Overhead valve, two valves per cylinder, Variable Valve Timing	Direct fuel injection	401 @ 5200	464 @ 4000

TRANSMISSION SPECIFICATIONS

TRANSMISSION TYPE	GEAR RATIOS (:1)	FIRST	SECOND	THIRD	FOURTH	FIFTH	SIXTH	SEVENTH	EIGHTH	NINTH	TENTH	REVERSE	FINAL DRIVE RATIO
Allison 10-speed automatic (6.6L Duramax Turbo Diesel V8)	10L1000	4.54	2.87	2.06	1.72	1.48	1.26	1.00	0.85	0.69	0.63	4.54	3.42
6L90 6-speed automatic (6.6L gas V8)	6L90	4.03	2.36	1.53	1.15	0.85	0.67	-	-	-	-	3.06	3.73

TRAILERING HIGHLIGHTS

PROGRADE TRAILERING SYSTEM

GMC's available ProGrade Trailering System includes advanced technologies for increased views and confidence. It helps when hooking up your trailer, while on the road and when backing your trailer into place.

IN-VEHICLE TRAILERING APP¹

The available in-vehicle Trailering App¹ is integrated into Sierra Heavy Duty's infotainment system² and includes trailering label information and the ability to create five defined trailer profiles based on trailer name, trailer type and trailer hitch type. There are also maintenance reminders, predeparture checklists, a Trailer Light Sequence Test, a Trailer Tire Pressure Monitoring System³ and a counter for trailer mileage and fuel economy.

myGMC MOBILE APP⁴

The available myGMC Mobile App⁴ allows you to create and manage trailer profiles (shareable with other compatible Sierra Heavy Duty owners), run a Trailer Light Sequence Test to help ensure trailer lights are in working order, reference predeparture checklists and use a Trailer Load Calculator to determine the combined weight of your vehicle and trailer. You can view and receive alerts on key components of your trailer such as tire pressure monitoring³ and trailer miles. There's also a glossary filled with trailering-related materials.

SMART TRAILER INTEGRATION

The available ASA Electronics iN•Command⁵ Control System⁵ is designed to integrate with and be accessible through the myGMC Mobile App⁴ (on compatible iPhones⁶ and Android smartphones) or on the infotainment system via Apple CarPlay⁶ and Android Auto⁷ compatibility. The iN•Command Control System allows you to monitor and control a range of smart system functions such as water tank levels, climate controls and power slide-outs in recreational trailers equipped with GlobalConnect technology.

¹App functionality and features vary with vehicle equipment and trim level. Data connection may be required. Some features require active service plan and working electrical system. Terms and limitations apply. ²Functionality varies by model. Full functionality requires compatible Bluetooth and smartphone, and USB connectivity for some devices. ³Requires available Trailer Tire Pressure Monitoring System and installation of trailer tire pressure monitor sensors. ⁴Available on select Apple[®] and Android[™] devices. Service availability, features and functionality vary by vehicle, device and the plan you are enrolled in. Terms apply. Device data connection required. See onstar.com for details and limitations. ⁵iN•Command is provided by ASA Electronics and is designed to operate within 30 feet of the trailer. Works with trailers equipped with iN•Command Control System with GlobalConnect via Bluetooth connection. Control and monitoring functionality varies by trailer manufacturer model and installed options. Use of the iN•Command Control System feature through the myGMC Mobile App requires an active service plan. User terms apply. See onstar.com for details and limitations. ⁶Vehicle user interface is a product of Apple[®] and its terms and privacy statements apply. Requires compatible iPhone[®] and data plan rates apply. Apple CarPlay, Siri, iPhone and Apple Music are trademarks of Apple, Inc., registered in the U.S. and other countries. ⁷To wirelessly use Android Auto on your car display, you need a compatible Android smartphone with an active data plan. You can check which smartphones are compatible at g.co/androidauto/requirements. Android and Android Auto are trademarks of Google LLC.

myGMC MOBILE APP



INNOVATIVE WAYS TO TAKE CONTROL

The available myGMC Mobile App¹ helps elevate your ownership experience in many ways. It's also a powerful and useful tool when it comes to trailering.

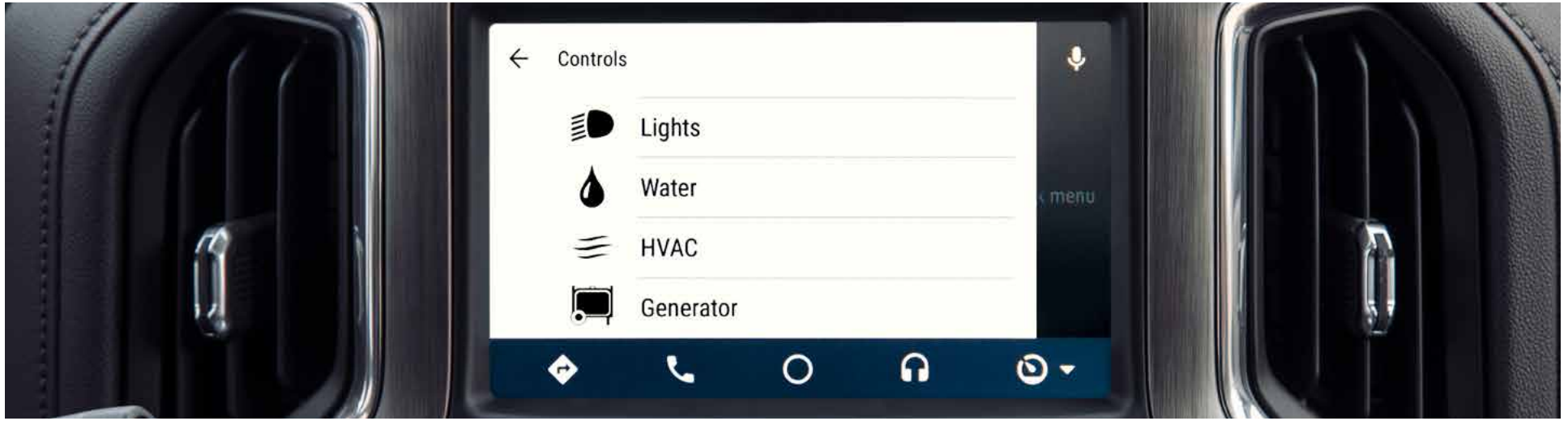
IN A PROPERLY EQUIPPED VEHICLE, YOU'LL HAVE THESE USEFUL FUNCTIONS AT YOUR FINGERTIPS:

- TRAILER LIGHT SEQUENCE TEST
- LOAD CALCULATOR
- PREDEPARTURE CHECKLISTS
- PROFILE SHARING
- GLOSSARY OF TERMS
- TRAILER TIRE PRESSURE ALERTS²
- MAINTENANCE REMINDERS
- MILEAGE AND FUEL ECONOMY COUNTER
- SMART TRAILER CONTROLS

¹Available on select Apple® and Android devices. Service availability, features and functionality vary by vehicle, device and the plan you are enrolled in. Terms apply. Device data connection required. See onstar.com for details and limitations.

²Requires available Trailer Tire Pressure Monitoring System and installation of trailer tire pressure monitor sensors.

SMART TRAILER INTEGRATION



PUTTING YOU IN COMMAND LIKE NEVER BEFORE

The available Smart Trailer Control System effectively turns your smartphone into a remote control. Accessible through the myGMC Mobile App¹ (on compatible iOS and Android smartphones) or through the infotainment system (via Apple CarPlay^{®2} and Android Auto³ compatibility), the Smart Trailer Control System allows you to control many of your compatibly equipped iN•Command Control System⁴ trailer functions through a Bluetooth⁵ connection. It's a seamless way to stay informed and in command.

TAKE CONTROL OF THE FOLLOWING FUNCTIONS AND SYSTEMS IN YOUR COMPATIBLE ATTACHED TRAILER:

- ADJUST CLIMATE CONTROLS
- TURN THE WATER PUMP ON/OFF
- TURN THE HEATER ON/OFF
- TURN INTERIOR LIGHTS ON/OFF
- TURN EXTERIOR LIGHTS ON/OFF
- CHECK REAL-TIME STATUS OF THE WATER TANK LEVEL
- CHECK REAL-TIME STATUS OF THE BATTERY LIFE
- CHECK FUEL LEVEL OF THE GENERATOR
- PRIME AND START THE GENERATOR
- OPEN AND CLOSE SLIDE-OUTS (VEHICLE AND TRAILER MUST BE PARKED)
- OPEN AND CLOSE AWNINGS (VEHICLE AND TRAILER MUST BE PARKED)
- ADJUST JACKS (VEHICLE AND TRAILER MUST BE PARKED)

¹Available on select Apple[®] and Android devices. Service availability, features and functionality vary by vehicle, device and the plan you are enrolled in. Terms apply. Device data connection required. See onstar.com for details and limitations.
²Vehicle user interface is a product of Apple[®] and its terms and privacy statements apply. Requires compatible iPhone[®] and data plan rates apply. Apple CarPlay, Siri, iPhone and Apple Music are trademarks of Apple, Inc., registered in the U.S. and other countries.
³To wirelessly use Android Auto on your car display, you need a compatible Android smartphone with an active data plan. You can check which smartphones are compatible at g.co/androidauto/requirements. Android and Android Auto are trademarks of Google LLC.
⁴iN•Command is provided by ASA Electronics and is designed to operate within 30 feet of the trailer. Works with trailers equipped with iN•Command Control System with GlobalConnect via Bluetooth connection. Control and monitoring functionality varies by trailer manufacturer model and installed options. Use of the iN•Command Control System feature through the myGMC Mobile App requires an active service plan. User terms apply. See onstar.com for details and limitations.
⁵Go to my.gmc.com/learn to find out which phones are compatible with the vehicle.

SIERRA HD CAMERA SYSTEM

UP TO 15 AVAILABLE CAMERA VIEWS¹

1. TRANSPARENT TRAILER VIEW
(REQUIRES COMPATIBLE
CONVENTIONAL TRAILER)
2. HITCH VIEW
3. BED VIEW (WITH ZOOM VIEW
AND HITCH GUIDANCE)
4. FRONT CAMERA VIEW
5. REAR CAMERA VIEW
6. SURROUND VIEW
7. FRONT TOP-DOWN VIEW
8. REAR TOP-DOWN VIEW
9. BOWL VIEW
10. FRONT SIDE VIEW
11. REAR SIDE VIEW
(WITH TRAILER BIASING)
(REQUIRES COMPATIBLE
CONVENTIONAL TRAILER)
12. REAR TRAILER VIEW
(WITH GUIDELINES AND
TRAILER ANGLE INDICATOR)
(REQUIRES COMPATIBLE
CONVENTIONAL TRAILER)
13. INSIDE TRAILER VIEW
14. PICTURE-IN-PICTURE SIDE VIEW
15. REAR CAMERA MIRROR



¹Safety or driver-assistance features are no substitute for the driver's responsibility to operate the vehicle in a safe manner. Read the vehicle Owner's Manual for important feature limitations and information. Some camera views require available accessory camera and installation. Not compatible with all trailers. See your dealer for details.

SIERRA HD CAMERA-VIEW COMPATIBILITY

CAMERA-VIEW COMPATIBILITY

ALL TRAILERS MAY NOT BE COMPATIBLE. THIS CHART IS FOR REFERENCE ONLY.

CAMERA VIEW	HITCH TYPE	TRAILER TYPE	DIMENSIONS REQUIRED
Rear Trailer View With Trailer Angle Indicator ¹	Conventional ²	Box/Enclosed ³	Yes
Rear Trailer View ¹	Most	Most	N/A
Rear Side View	Most	Most	N/A
Rear Side View With Trailer Biasing	Conventional ²	Box/Enclosed ³	Yes
Rear Side View With Trailer Length Indicator (turn-signal activated)	Conventional ²	Box/Enclosed ³	Yes
Transparent trailer view ⁴	Conventional ²	Box/Enclosed ³	Yes
Jack-Knife Alert	Conventional ²	Box/Enclosed ³	Yes
Picture-in-Picture Side View ¹	Most	Most	N/A
Inside Trailer View ¹	Most	Most	N/A
Bed View	N/A	N/A	N/A
Bed View With Zoom and Hitch Guidance	N/A	N/A	N/A
Hitch View	Most	Most	N/A

Safety or driver-assistance features are no substitute for the driver's responsibility to operate the vehicle in a safe manner. The driver should remain attentive to traffic, surroundings and road conditions at all times. Visibility, weather and road conditions may affect feature performance. Read the vehicle Owner's Manual for more important feature limitations and information.

¹Requires available accessory camera and installation. Not compatible with all trailers. See your dealer for details. ²Conventional trailer hitch type is any trailer that connects to a trailer hitch using a coupler and ball mount, as opposed to a fifth-wheel or gooseneck connection. ³Box/enclosed trailer is a type of trailer that has walls and a roof to completely enclose cargo and keep it protected from the elements. ⁴Requires available accessory camera and installation. Not compatible with all trailers. See your dealer for details. This camera view has a trailer-length limitation of 32 feet.

CALIBRATION TIPS FOR TRANSPARENT TRAILER VIEW

FOLLOW THESE CALIBRATION TIPS FOR SUCCESSFUL SETUP:

Drive below 31 mph	Driving faster may delay calibration.
Drive straight	Excessive steering may extend calibration time.
Use good light	Calibration should be attempted when there is enough light.
Set up in good weather	Calibration during snow or heavy rain should be avoided.
Use a flat, defined road	Avoid gravel, dirt or unmarked roads.
Use the proper connection	Ensure that the camera is connected to the correct input.
Use the correct location	The accessory camera should be mounted and angled inside the defined mounting location (see camera installation instructions).
Check for a clean lens	Cameras obstructed by dirt or debris may hinder calibration.
Check for a clear view	The accessory trailer camera should have an unobstructed view (no spare tire, bike/cargo racks, etc.). Shadows may be perceived as obstructions. Attempt to calibrate while driving in an alternate direction if possible.
Ensure dimensions are correct	Enter accurate measurements made to the nearest inch.
Measure correctly	Use the width of the box of the trailer. Do not include the width of the wheels. This helps transparent trailer view and Jack-Knife Alert to work accurately.
Measure V-nose trailers correctly	For V-nose trailers, when measuring the distance between the ball and the front of the trailer, you should measure the distance to the widest part of the trailer, not to the point on the nose.

Safety or driver-assistance features are no substitute for the driver's responsibility to operate the vehicle in a safe manner. The driver should remain attentive to traffic, surroundings and road conditions at all times. Visibility, weather and road conditions may affect feature performance. Read the vehicle Owner's Manual for more important feature limitations and information.

Transparent trailer view requires available accessory camera and installation. Not compatible with all trailers. See your dealer for details. This camera view has a trailer-length limitation of 32 feet.

AVAILABILITY

SELECT TRAILERING TECHNOLOGY AVAILABILITY BY VEHICLE

	SIERRA 1500	SIERRA 2500 HEAVY DUTY	SIERRA 3500 HEAVY DUTY
In-vehicle Trailering App ¹	○	○	○
myGMC Mobile App ²	○	○	○
Smart trailer integration	○	○	○
Traction Select System with Tow/Haul mode	○	○	○
Auto electric parking brake	○	○	○
Park Grade Hold Assist	—	●	●
Hill Start Assist	●	●	●
Diesel Exhaust Brake System	○	○	○
Diesel After-Run	—	○	○
Trailering mirrors	○	●	●
Integrated trailer brake controller	○	○	○
Trailer Sway Control	●	●	●
Transmission temperature gauge	○	○	○
Hitch Guidance ³	○	○	○
Rear Vision Camera ³	●	●	●
High Definition Surround Vision ³	○	○	○
Trailering hitch platform	○	●	●
7-wire harness with independent fused trailering circuits	●	●	●
7-pin and 4-pin connector	○	●	●
Up to 14 camera views ⁴ including transparent trailer view ⁵	○	—	—
Up to 15 camera views ⁴ including transparent trailer view ⁵	—	○	○
Rear Trailer Guidelines with Trailer Angle Indicator ⁵	○	○	○
Trailer Length Indicator ⁵	○	○	○
Jack-Knife Alert ⁵	○	○	○

FOR MORE INFORMATION ON THESE TECHNOLOGIES, VISIT GMC.COM.

● Standard ○ Available — Not Available

¹App functionality and features vary with vehicle equipment and trim level. Data connection may be required. Some features require active service plan and working electrical system. Terms and limitations apply. ²Available on select Apple® and Android devices. Service availability, features and functionality vary by vehicle, device and the plan you are enrolled in. Terms apply. Device data connection required. See onstar.com for details and limitations. ³Safety or driver-assistance features are no substitute for the driver's responsibility to operate the vehicle in a safe manner. Read the vehicle Owner's Manual for important feature limitations and information. ⁴Safety or driver-assistance features are no substitute for the driver's responsibility to operate the vehicle in a safe manner. Read the vehicle Owner's Manual for important feature limitations and information. Some camera views require available accessory camera and installation. Not compatible with all trailers. See your dealer for details. ⁵Feature not compatible with fifth-wheel or gooseneck trailers.

IMPORTANT TERMS

CURB WEIGHT

The weight of a vehicle with all of the standard and optional equipment and a full tank of fuel, but without any passengers or cargo.

GROSS VEHICLE WEIGHT (GVW)

The combined weight of the vehicle and all passengers and cargo.

GROSS VEHICLE WEIGHT RATING (GVWR)

This number is the maximum amount a tow vehicle may weigh. Everything that contributes to the weight of the tow vehicle is featured in this rating, including the weight of the vehicle, driver and all passengers, fuel, payload, tongue load of the trailer, the weight of the hitch and all optional equipment. The GVWR is displayed on the driver's door or door-lock pillar label of your GMC vehicle. The GVW must never exceed the GVWR.

GROSS COMBINED WEIGHT (GCW)

The GVW plus the loaded trailer weight.

GROSS COMBINED WEIGHT RATING (GCWR)

The total allowable weight of the completely loaded vehicle and trailer, including any fuel, passengers, cargo, equipment and accessories.

CARGO WEIGHT

The weight of all items added to the curb weight of the vehicle, including cargo and optional equipment. When towing, cargo weight also includes the trailer tongue or hitch weight.

MAX PAYLOAD

The maximum allowable weight of passengers plus cargo that the vehicle is designed to carry.

GROSS AXLE WEIGHT (GAW)

The total weight placed on a single axle (front or rear).

GROSS AXLE WEIGHT RATING (GAWR)

This is the weight that each axle is capable of supporting. The load on each axle must not exceed the GAWR. The GAWR for each GMC vehicle is displayed on the driver's door or door-lock pillar label.

GROSS TRAILER WEIGHT

The weight of a loaded trailer.

TONGUE (OR HITCH) WEIGHT

The tongue weight is the total amount of trailer weight that is pressing down on the trailer hitch. Keep in mind that the way a trailer is loaded affects the overall tongue weight and will also affect the handling of the tow vehicle when trailering.

TRAILER HITCH TYPES

SELECTING THE RIGHT HITCH

Choosing the right hitch and making the proper electrical connections affect how your vehicle handles, corners and brakes, and allow you to alert other drivers of your intentions. Before selecting a hitch or trailering package, you should be familiar with the weight ratings specific to your GMC vehicle.

WEIGHT-CARRYING HITCH

This consists of a hitch ball mounted on a step bumper or draw bar, or a tow eye latched to a pintle hook. Hitch balls are available in a range of sizes. Make sure that the diameter of your hitch ball matches your trailer coupler. Also check that the ball and ball mount meet or exceed the Gross Trailer Weight Rating.

WEIGHT-DISTRIBUTING HITCH

This is most often used for heavier trailering. This hitch type more evenly distributes the trailer load by using spring bars to shift some of the hitch weight forward onto the tow vehicle's front axle and rearward to the trailer's axles.

FIFTH-WHEEL HITCH AND GOOSENECK HITCH

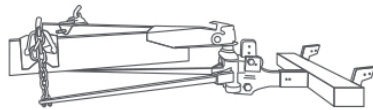
These are designed for heavy trailering. Located in the bed of the truck, these hitch types are most frequently used with travel trailers, horse trailers and other large trailers.



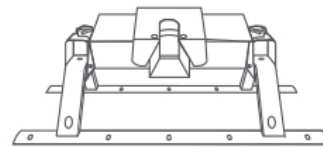
HITCH BALL ON STEP BUMPER



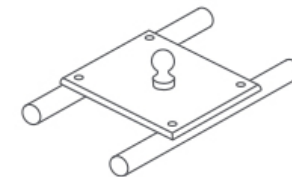
HITCH BALL ON DRAW BAR



WEIGHT-DISTRIBUTING HITCH



FIFTH-WHEEL HITCH



GOOSENECK HITCH

TRAILER TYPES

CONVENTIONAL TRAILER

While typically used to describe recreational trailers, such as campers or boat trailers, conventional trailers generally utilize a ball-type hitch.



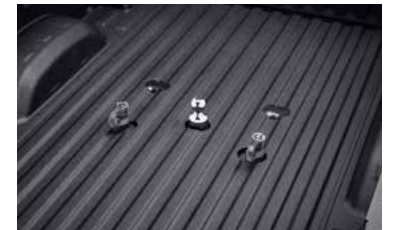
FIFTH-WHEEL TRAILER

Fifth-wheel trailers can be slightly larger than conventional trailers and offer a wide range of configurations. These trailers are designed specifically for pickups equipped with a fifth-wheel hitch.




GOOSENECK TRAILER


Gooseneck trailers place the hitch weight of the trailer over the rear axle of the truck rather than the rear bumper.



HOW TO READ A TRAILERING LABEL

Jul 28 2022 23:57:25 1F3 2GA3695051

gm TRAILERING INFORMATION 

 XXXXXXXXXXXXXXXXXXXX


A **B** **C** **D** **E**

VEHICLE AND TRAILER MUST NOT EXCEED ANY OF THESE VALUES.

GVWR:	4972 KG / 10960 LBS
GCWR:	11793 KG / 26000 LBS
RGAWR:	2994 KG / 6600 LBS
CURB WEIGHT:	3397 KG / 7488 LBS
MAX PAYLOAD:	1575 KG / 3472 LBS

SAE J2807 TRAILER WEIGHT RATING (TWR) FOR VEHICLE CONFIGURATION.

CONVENTIONAL TWR:	6577 KG / 14500 LBS
MAX TONGUE WEIGHT:	658 KG / 1450 LBS
GOOSENECK TWR:	8237 KG / 18160 LBS
MAX TONGUE WEIGHT:	1238 KG / 2730 LBS

SEE OWNER'S MANUAL  FOR MORE INFORMATION

Included on all Sierra Heavy Duty models is a Trailering Information label.

A GVWR = GROSS VEHICLE WEIGHT RATING

This number is the maximum amount a tow vehicle may weigh. Everything that contributes to the weight of the tow vehicle is featured in this rating, including the weight of the vehicle, driver and all passengers, fuel, payload, tongue load of the trailer, the weight of the hitch and all optional equipment. The GVWR is displayed on the driver's door or door-lock pillar label of your GMC vehicle. The Gross Vehicle Weight must never exceed the GVWR.

B GCWR = GROSS COMBINED WEIGHT RATING

The total allowable weight of the completely loaded vehicle and trailer, including any fuel, passengers, cargo, equipment and accessories.

C RGAWR = REAR GROSS AXLE WEIGHT RATING

This is the weight that the rear axle is capable of supporting. The load on the axle must not exceed the RGAWR. The RGAWR for each GMC vehicle is displayed on the driver's door or door-lock pillar label.

D MAX PAYLOAD

The maximum allowable weight of passengers plus cargo that the vehicle is designed to carry.

E TWR = TRAILER WEIGHT RATING

This section of the label provides the ratings for your vehicle's specific configuration.