



**607**

ENGINEERED TO BE ENJOYED





**Stunning lines.**



The Peugeot 607 is designed to stand out from the crowd, by simply standing apart. From every angle, breathtaking. Every feature, meticulously designed. Every luxury, considered. It's all there to ensure that every drive will be memorable.

For more than a century Peugeots have been created to provide a rare sense of driver enjoyment and engineering excellence. The Peugeot 607 is the embodiment of this wealth of automotive excellence.

Taking the latest technology, finessing it with Peugeot's legendary engineering and that unmistakable sense of style, the 607 is more than simply a luxury car, it's a vehicle of rare beauty. Its smooth curves flow gracefully from the exterior into the beautiful leather interior. Seducing its driver, passengers and onlookers with its fine balance of intellect and engineering, this is what sets the Peugeot 607 apart.



Seamless V6 Power.



Under its sweeping bonnet lies a magnificent 24-valve quad cam 155 kW, 3.0 litre V6 engine. Whisper quiet, vibration free and ready to provide exceptional low down torque as well as high speed power. This remarkably smooth engine also sets new standards in versatility and environmental friendliness, meeting the strict Euro IV emission standard. Through the use of a variable valve timing system (VVT) it provides more linear acceleration, and a new exhaust with an active dual-mode system offers fantastic performance at high engine speeds with improved noise insulation.

The 607 has the ultimate in gearbox technology, with the 6-speed Tiptronic automatic allowing you to make the most of its dynamic handling. Responsiveness and silky smooth gear changes are the hallmarks of this transmission. Select the 'sequential' position, and you have a clutchless manual transmission on your hands. Change gears effortlessly by pushing forward to shift up and pulling back to shift down. In the conventional drive position you can select a 'sport' mode for dynamic performance.

In automatic mode, the sophisticated electronic management system adapts to your driving style and the road conditions, so you will be left to enjoy the superb drive.

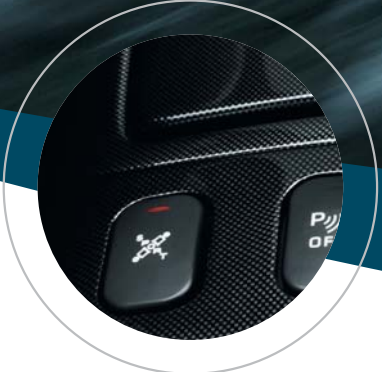
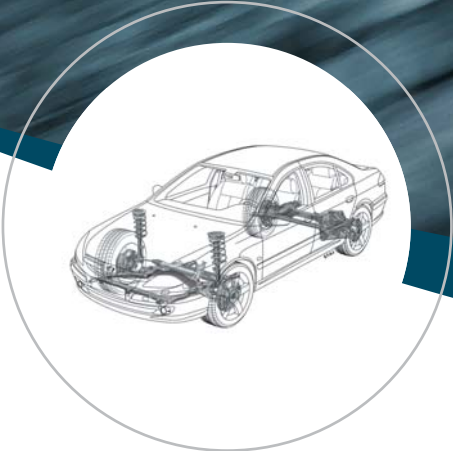


## Smooth ride.

The suspension in the 607 is as intelligent as the rest of the car. Sensors integrated with the onboard computer independently control the damping of each wheel, according to nine unique settings. This limits pitching when you're driving in a straight line, and automatically stiffens the suspension when accelerating, braking and in bends.

And with the touch of a button, select between sport mode and the more flexible comfort mode. In sport mode, agility and precision become the priority, while in comfort mode, damping settings provide you with the most comfortable ride across the full range of driving surfaces.

At all times – in either mode – the system's electronic brain is gathering and analysing data from various critical areas of the car. It then makes appropriate adjustments in the suspension settings – imperceptibly to those on board and all within milliseconds. All this technology combines to deliver the smooth, assured ride for which Peugeot is renowned.





# Sumptuous interior.

As with every part of the 607, engineering and enjoyment are deeply at play. Perhaps no more so than here inside the spacious cabin, where luxury, refinement and quality reach new levels. The first moment you slide in behind the steering wheel, you will find everything clearly defined and within easy reach. From the supportive leather seats to the personalised settings activated by your ignition key, everything is perfect.

You can activate your own personalised driving setting, down to the millimetre. Every factor: the seat fore/aft position, the back-rest angle, and the seat and headrest height are motor driven on the two front seats. Once you've found your optimum driving position, the information can be stored and instantly retrieved for up to four different drivers. Exterior mirror settings are also memorised as part of the program.





Travel comfort for your passengers is also of primary importance, which is why the 607's automatic dual zone climate-control air conditioning system enables different settings for the right and left hand side of the front passenger compartment. Even the wide padded front and rear armrests both have two cup holders. All this blends seamlessly to create a refined, soothing ambience within your 607.

And you're covered from every angle. With a touch of a button on the centre console you can raise or lower the rear window sunblind to help reduce heat and UV penetration into the cabin. To further keep things cool and comfortable in the cabin, the 607's athermic windscreen has a metallic oxide layer within the glass to reduce the transmission of heat, by filtering up to 25% of the sun's energy.

Most importantly, every luxury feature is fitted as standard. Because at Peugeot, we believe luxury is not an option.

# Standout features.



## **Automatic Boot Opening**

With the touch of a button, the boot of the 607 will open through a motorised hinge. Similarly it will close with smooth automatic precision.



## **Electronic Parking Assistance**

Incorporated into the front and rear bumpers of the 607 are parking sensors, which measure the proximity of the car to other objects. A series of audio signals and a visual display help you to judge distances in all parking situations.



## **Automatic Rain Sensing Wipers**

Once you have selected the auto position, when it starts to rain the windscreen wipers switch on automatically, and the speed varies according to the rain's intensity. Also, for added safety, the sensors apply a faster wipe speed at night. Conversely, wiper speed automatically reduces if you slow down below 8 km/h.



### **Automatic headlight illumination**

Fading light, bad weather or tunnels? Time to switch on your headlights? The 607 does the job first, as if it had already guessed your intentions. The luminosity sensors (which double as a sunlight intensity sensor for the climate-control system) will switch on your Xenon headlights automatically.



### **JBL Premium Sound System**

The high-fidelity JBL system in the 607 uses 10 speakers divided between 8 locations, plus a sub-woofer. The entire system is managed by an electronic control unit to provide true acoustic refinement.



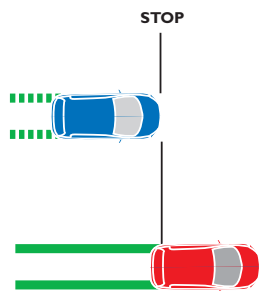
### **Electric Tilt/Slide Sunroof**

Automatically controlled by the driver, the integrated sunroof effortlessly glides open and retracts into the roofline for a seamless closure.

# Benchmark safety.

Peugeot is relentless in its pursuit of providing the safest cars on the road. Our safety engineers set out to design and implement state-of-the-art safety features that will best serve in any accident situation, giving you peace of mind.

Active safety consists of those measures built into the car which help a driver avoid an accident. Passive safety measures are those designed to protect a driver and passengers once an accident becomes unavoidable. The 607 represents a benchmark for Peugeot in the development of both active and passive safety.



## **ESP**

To promote a safer driving experience, and to ensure that your 607 maintains its balance in difficult situations, it is equipped with the very latest Electronic Stability Program (ESP) which combines five functions:

## **ABS**

Improved to match the 607 performance, this electronic anti-lock braking system helps you hold your line during emergency steering and braking.

## **EBA**

Emergency Brake Assist increases your braking force to help you stop quickly and effectively when the need arises.

## **ASR**

Traction control manages the engine and the brakes to prevent wheels skidding on slippery surfaces.

## **EBFD**

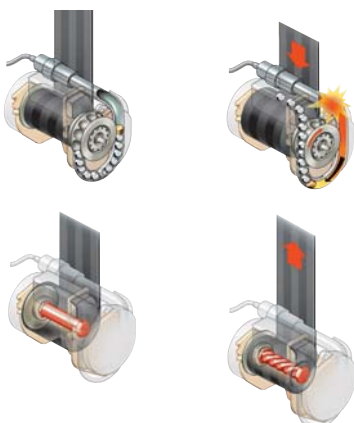
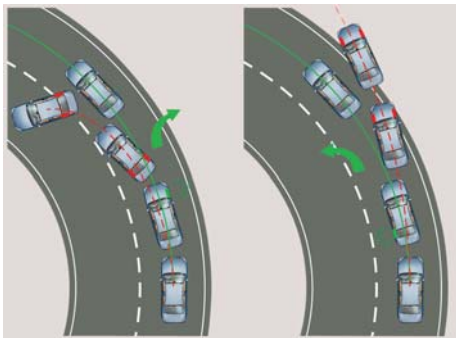
Electronic Brake Force Distribution electronically controls the braking of each individual wheel, balancing the distribution of braking force to ensure that your 607 comes to a halt as quickly and effectively as possible.

## **DSC**

Dynamic Stability Control continuously monitors data supplied by the steering wheel sensor and the yaw sensor, intervening in the engine management system to return your 607 to its original trajectory should any under or oversteer be detected.

## **Pyrotechnic front seatbelt pretensioning**

In the event of an accident, a confined detonation drives a mechanism to tension the seatbelt spool. This tightens the belt across the lap and chest well before the wearer commences to move forward and milliseconds before the airbags deploy.





### **Airbags**

Naturally a car of this calibre has front airbags as well as front and rear side airbags, but in the 607 you'll also find side curtain airbags to protect the heads of both front and rear occupants. In fact, there are eight airbags in the 607.

Built into the roof, the side curtain airbag activates along the window should a side impact occur. In the event of a side impact collision, these airbags are triggered by a separate control unit situated within the central tunnel of the 607. This control unit communicates with two warning satellites built into the side rails. To complete the 607's comprehensive airbag safety system, the driver's side airbag features controlled release vents and a 60 litre capacity, which is well in excess of the European standard.

### **Tyre pressure sensors**

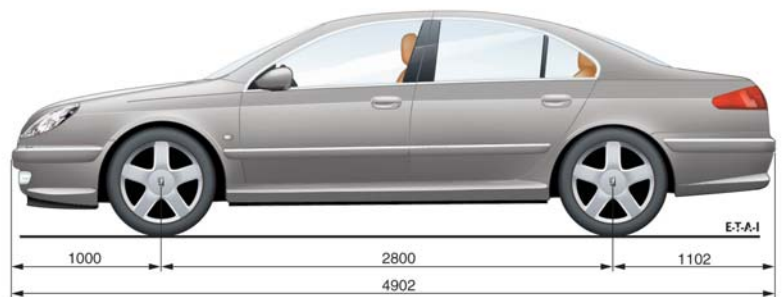
Loss of tyre pressure can lead to excessive fuel consumption and deterioration of roadholding and braking, and could cause an accident. The 607 has a pressure sensor located in each tyre which will transmit a visual and audio warning to the dashboard to inform you of any tyre pressure loss.

### **Side impact protection**

Constructed to minimise the effect of side impacts, Peugeot has built in longitudinal reinforcing members which have been encased in a special double thickness, shock-absorbing material. Working in conjunction with the full-length curtain airbags, the 607 provides unprecedented levels of safety for all occupants.



# Dimensions.



# Warranty.

## PEUGEOT PEACE OF MIND

Peugeot cars are designed and manufactured to give you trouble free motoring and total peace of mind. As a Peugeot owner you are immediately entitled to a comprehensive range of customer care services – all available from your Peugeot Dealer. Your local Dealer has the expertise to maintain your Peugeot to its peak performance. Each Dealer employs a Specialist Peugeot Technical Advisor who has access to the latest technical information and diagnostic equipment developed for Peugeot vehicles. There's no way your car could be in better hands. To get the very most from our commitment to service, just ask about any of the benefits listed below. Your Dealer will also keep you up to date on any product innovations that could add to your driving pleasure. It's all part of the service.

## DRIVING DOWN THE COSTS OF SERVICING

Peugeot vehicles need servicing every 20,000 kms or every 12 months, whichever is the sooner. This reflects a recent lengthening of the schedule and with less time spent in the maintenance bay and fewer service visits, Peugeot has passed on the benefits of technology in engine design and lubrication. While Peugeot can predict the maintenance needs of engine and other major components, the wearing of certain components such as tyres and brake pads is less predictable and is affected by driving style and conditions.

## 3 YEAR / 100,000 KM WARRANTY

Should any part of the vehicle require repair or replacement as a result of a manufacturing or material defect within the warranty period, the part will be repaired or replaced completely free of charge by your authorised Peugeot dealer, regardless of any change of ownership during the period covered. The warranty does not cover items replaced during normal service and maintenance operations, which are subject to wear and tear. During the period you will also automatically receive Peugeot Assistance cover for complete peace of mind (subject to the conditions outlined in the Warranty Maintenance Book).

## 12 YEAR ANTI-CORROSION WARRANTY

Peugeots are renowned for their durability and longevity. This is due in part to the sophisticated measures which are taken during the production process to optimise long-term protection from the elements. Peugeot backs this advanced technology with a 12-year warranty against corrosion-perforation of your car's bodywork – one of the longest body warranties in the world today (subject to conditions in the Warranty Maintenance Book).

## PEUGEOT ASSISTANCE

Whatever it takes to get you going again, in the unlikely event of a breakdown or emergency, it only takes one free phone call. Peugeot Assistance is free for Peugeot new car owners. The programme includes 24-hour roadside assistance, vehicle recovery, technical advice, message service, home assistance and accident or theft co-ordination. Your Peugeot Dealer has full details of all terms and conditions.

## PEUGEOT GENUINE PARTS PROMISE

If your car is in for a service or repair, the parts required to keep your car on the road are Peugeot genuine parts. Using specifically designed and manufactured parts ensures your Peugeot can operate at peak performance at all times.

## IMPORTANT NOTICE

Peugeot Automobiles Australia offers this brochure as a general guide to product specifications. Photographs and illustrations in this brochure are for illustrative purposes only and do not necessarily represent final production models for Australia, or modifications made to meet Australian standards or requirements. All data in this brochure is believed to be correct as at June 2006. However, as development is an ongoing process, changes may occur from time to time which will not necessarily be reflected herein. Therefore, Peugeot Automobiles Australia reserves the right to change specifications without notice. Accordingly, this brochure should not be regarded as an infallible guide to correct specifications, nor does it constitute an offer for sale of any particular vehicle. Dealers are not agents of Peugeot Automobiles Australia and have absolutely no authority to bind Peugeot Automobiles Australia by an express or implied undertaking or representation. Peugeot Automobiles Australia is the trading name of Sime Darby Automobiles Pty Limited (ACN 000 426 282).

For further specifications details  
visit [peugeot.com.au](http://peugeot.com.au)

Peugeot Automobiles Australia  
Locked Bag 206, Silverwater NSW 1811.

ENGINEERED TO BE ENJOYED

**607**

