

March 2008



Commercial  
Vehicles

## Volkswagen Crafter Van



## The Volkswagen Crafter.



The latest and largest addition to the Volkswagen range, the Crafter's chunky good looks only partially reveal its underlying strengths. Powerful engines with enough torque to satisfy the most demanding business uses, enough space to fit in the most awkward objects, and an array of features to satisfy the most discerning of customers – all make the Crafter the vehicle of choice for a huge range of businesses.

And it is choice that marks the Crafter out as special. Whatever your basic load-carrying requirement is, be it length, weight or size, there is a model in the Crafter range which will do the job.

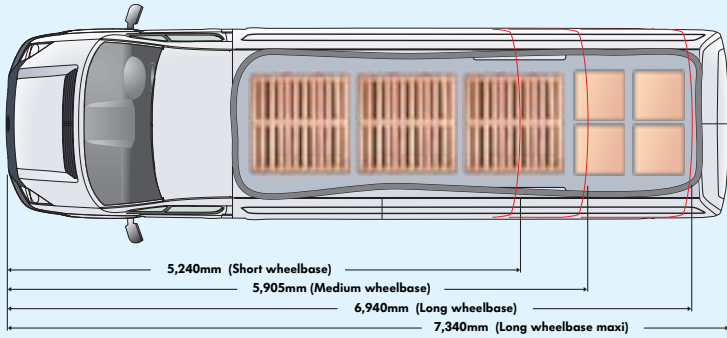
We will detail more of those choices on the following pages, but these are the primary choices you get from the Crafter panel van range:

- Load volumes from 9m<sup>3</sup> to 17.0m<sup>3</sup>
- Payloads from 1,248kg up to 2,690kg\*
- Standard, high or super high roof
- Completely new range of 3 TDI common-rail diesel engines
- 2 wheelbase options
- 3 load lengths available

\* No cost option for 5t GVM.



Load floor showing accommodation of pallets.



And these features are standard across the range:

- ABS\*
- ESP\* (load adjusting)
- TCS\*
- Class-leading side door – loads a pallet
- Full height steel bulkhead
- Load-lashing rings

Other features and options are listed on the following pages.

\* Please refer to the glossary on page 46 of this brochure.



# Crafter panel van standard specifications.

## Body.

- 75 litre fuel tank with lockable cap
- Black bumpers with integrated front step
- Black wheel centre caps
- Externally adjustable exterior mirrors:
  - convex mirrors with indicators
- Front and rear towing eyes, (front only on Crafter 50)
- Heat reflective glass
- Jack and tool kit (Crafter 30 and Crafter 35 models) with steel spare wheel
- Lateral side marker lights (LWB and LWB with overhang)
- Sheet steel flooring
- Side sliding door on left
- Unglazed rear wing doors

## Interior.

- |  |  |   |
|--|--|---|
| <p><b>Cab area:</b></p> <ul style="list-style-type: none"> <li>• 2 folding and pivoted sun visors</li> <li>• Ashtray</li> <li>• Driver's seat with height, reach and rake adjustment</li> <li>• Grab handles</li> <li>• 'Inca' fabric seat covers</li> <li>• Interior light (including 2 reading lights)</li> <li>• Rubber floor covering</li> </ul> | <p><b>Storage:</b></p> <ul style="list-style-type: none"> <li>– 5 drinks holders</li> <li>– Document holder on centre console</li> <li>– Glove compartment</li> <li>– Overhead storage (max load 5kg)</li> <li>– Storage compartments (open and closed) in doors</li> <li>– Storage tray on dashboard</li> </ul> | <p><b>Rear:</b></p> <ul style="list-style-type: none"> <li>• Door-activated interior lighting</li> <li>• Full height steel bulkhead without window</li> <li>• Interior side door entry step</li> <li>• Load lashing rings – 2 on 'B' pillar</li> <li>• Load lashing rings – floor mounted (SWB: 6, MWB: 8, LWB: 10, LWB with overhang: 12)</li> <li>• Rear door interior release lever with overhang</li> </ul> |
|--|--|---|

## Functional.

- |   |   |   |
|---|---|---|
| <ul style="list-style-type: none"> <li>• 12V socket with cigarette lighter</li> <li>• Digital clock</li> <li>• Digital tachograph (Crafter 50 only)</li> <li>• Dimmable dashboard illumination</li> <li>• Electric windows</li> </ul> | <ul style="list-style-type: none"> <li>• Semi-automatic air conditioning system</li> <li>• Parking lights</li> <li>• Radio/single CD player with 5 speakers</li> <li>• Remote central locking with 2 remote keys</li> </ul> | <ul style="list-style-type: none"> <li>• Rev counter</li> <li>• Warning buzzer for lights left on</li> <li>• Windscreen wiper with variable intermittent delay and wash/wiper system</li> </ul> |
|---|---|---|

## Technical.

- |   |  |   |
|---|--|---|
| <p><b>Front and rear axle:</b></p> <ul style="list-style-type: none"> <li>– Anti-roll bar, front (front and rear on all Crafter 50 and LWB Crafter 35 panel van)</li> <li>– Front transverse leaf spring independent suspension</li> <li>– Rear rigid axle with leaf springs</li> <li>– Telescopic shock absorbers</li> </ul> | <ul style="list-style-type: none"> <li>• Hydraulic brake system with front ventilated and rear solid disc brakes (front and rear ventilated on Crafter 50)</li> <li>• Power steering</li> <li>• Steel spare wheel</li> </ul> | <ul style="list-style-type: none"> <li>• Steel wheels: 61/2J x 16 (Crafter 35 only)<br/>51/2J x 16 (Crafter 50 only)</li> <li>• Tyres: 225/75 R16C (Crafter 35 only)<br/>195/75 R16C (Crafter 50 only)</li> </ul> |
|---|--|---|

## Safety and security.

- |   |   |   |
|---|---|---|
| <ul style="list-style-type: none"> <li>• 3rd brake light</li> <li>• ABS: Anti-lock Braking System</li> <li>• Brake pad wear, failure and fluid level indicators</li> <li>• Driver's airbag</li> <li>• EBA: Electronic Brake Assist</li> <li>• EBD: Electronic Brakeforce Distribution</li> <li>• EDL: Electronic Differential Lock</li> <li>• ESP: Electronic Stabilisation Programme – load adjusting</li> </ul> | <ul style="list-style-type: none"> <li>• Electronic steering wheel lock</li> <li>• Engine immobiliser 'Transponder'</li> <li>• Halogen main headlights with headlight range control</li> <li>• Height adjustable head restraints</li> <li>• Height adjustable seat belts for all outer cab seats</li> <li>• Rear fog light</li> <li>• Seat belt warning light for driver</li> <li>• TCS: Traction Control System</li> </ul> | <ul style="list-style-type: none"> <li>• Three point inertia reel seat belts for all seats</li> </ul> |
|---|---|---|





Driver's airbag



Park distance control.\*



Air conditioning 'Climatic'.



Overhead console with two reading lights.



Overhead storage.



Electronic Stability Program (ESP)

\* Optional

# Crafter panel van factory options.

	MWB		LWB		LWB with long overhang	
	Crafter 35	Crafter 50	Crafter 35	Crafter 50	Crafter 35	Crafter 50
<b>Exterior.</b>						
Upgraded suspension for 5t GVM	—	○	—	○	—	○
High roof	○	○	—	—	—	—
Super high roof (white for MWB)	○	○	—	—	—	—
Super high roof (white for LWB and LWB with overhang)	—	—	○	○	○	○
Body colour for high and super high roof	○	○	○	○	○	○
100 litre fuel tank	○	○	○	○	○	○
Increased battery/alternator capacity	○	○	○	○	○	○
Upgraded front and rear suspension (only with front and rear stabiliser bar)	○	—	○	—	—	—
Fixed window (front left)	○	○	○	○	○	○
Hardboard side panel trim up to centre rail	○	○	○	○	○	○
Second sliding door	○	○	○	○	○	○
<b>Safety.</b>						
Dual front airbags	○	○	○	○	○	○
Side and curtain airbags	○	○	○	○	○	○
Electronic alarm	○	○	○	○	○	○
Reversing beeper	○	○	○	○	○	○
<b>Function.</b>						
Shiftmatic (not available with 120kW engine)	○	○	○	○	○	○
Double bench seat LHS (not with side airbags)	○	○	○	○	○	○
Armrest on both front seats (not with double bench)	○	○	○	○	○	○
Cruise control	○	○	○	○	○	○
Multi function steering wheel and trip computer	○	○	○	○	○	○
Wooden floor	○	○	○	○	○	○
C-strips – cargo floor, side panel and roof frame (only with wooden floor)	○	○	○	○	○	○
Second sliding door	○	○	○	○	○	○
260 degree opening wing doors	○	○	○	○	○	○
PDC (front and rear)	○	○	○	○	○	○
Step built into rear bumper	○	○	○	○	○	○

- Optional.
- Not available.



Multi-function steering wheel.\*



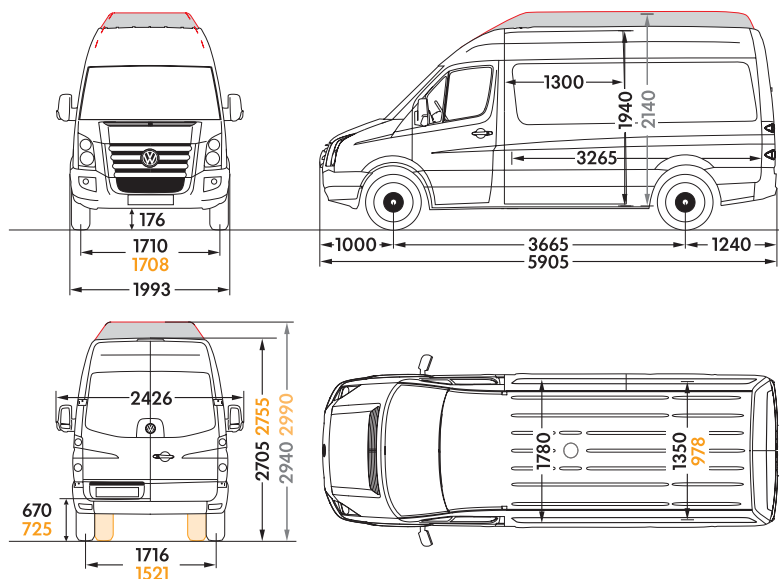
Document clip.



Sliding and tilting sunroof.\*

# Crafter panel van dimensions and weights.

## Crafter 35 / Crafter 50 panel van medium wheelbase high and extra high roof.



	Roof height	
	high	super high
Wheelbase	3,665	3,665
Load compartment volume	11.0m <sup>3</sup>	11.5m <sup>3</sup>
Lateral sliding door width	1,300	1,300
height	1,820	1,820
Rear doors width	1,565	1,565
height	1,840	1,840
Turning circle (wall to wall)	13.6m	13.6m

Figures in orange indicate Crafter 50 dimensions, where different.

Dimensions in mm unless otherwise indicated.

□ Indicates optional roof height.

The height measurements listed for dimensions are based on vehicles with standard specification, and may differ by approx ± 40mm depending on equipment fitted. Please note vehicle drawings are not to scale.

Gross vehicle weight kg	Engine	Trailer weight* braked / unbraked kg	Gross train weight kg	Kerb weight** kg	Payload*** kg
<b>Crafter 35</b>					
<b>3,500</b>	80kW TDI	2,000 / 750	5,500	2,030	1,470
	80kW TDI Shiftmatic	2,000 / 750	5,500	2,030	1,470
	100kW TDI	2,000 / 750	5,500	2,030	1,470
	100kW TDI Shiftmatic	2,000 / 750	5,500	2,030	1,470
	120kW TDI	2,000 / 750	5,500	2,030	1,470
<b>Crafter 50</b>					
<b>4,490</b>	80kW TDI	2,000	7,000	2,310	2,180
	80kW TDI Shiftmatic	2,000	7,000	2,310	2,180
	100kW TDI	2,000	7,000	2,310	2,180
	100kW TDI Shiftmatic	2,000	7,000	2,310	2,180
	120kW TDI	2,000	7,000	2,310	2,180

High Roof: Add 36kg

Super high roof: Add 72kg

Trailer nose weight 100kg.

All data is provisional.

\* For 12% gradient.

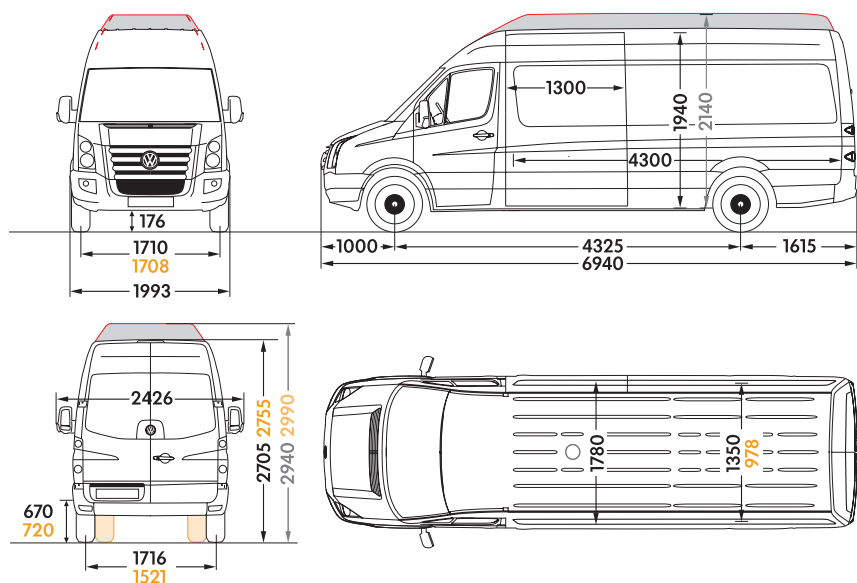
\*\* Kerb weight includes full tank of fuel and driver (75kg), excludes crew.

\*\*\* Payload = gross vehicle weight – kerb weight.

Weights are for vehicles with standard specification. The addition of factory options or Volkswagen Dealer fitted accessories may affect kerb weight and payload.

# Crafter panel van dimensions and weights. (continued)

## Crafter 35 / Crafter 50 panel van long wheelbase high and extra high roof.



	Roof height	
	high	super high
Wheelbase	4,325	4,325
Load compartment volume	14.0m <sup>3</sup>	15.0m <sup>3</sup>
Lateral sliding door width	1,300	1,300
height	1,820	1,820
Rear doors width	1,565	1,565
height	1,840	1,840
Turning circle (wall to wall)	15.6m	15.6m

Figures in orange indicate Crafter 50 dimensions, where different.

Dimensions in mm unless otherwise indicated.

□ Indicates optional roof height.

The height measurements listed for dimensions are based on vehicles with standard specification, and may differ by approx ± 40mm depending on equipment fitted. Please note vehicle drawings are not to scale.

Gross vehicle weight kg	Engine	Trailer weight* braked / unbraked kg	Gross train weight kg	Kerb weight** kg	Payload*** kg
<b>Crafter 35<sup>†</sup></b>					
<b>3,500</b>	80kW TDI	2,000 / 750	5,500	2,200	1,300
	80kW TDI Shiftmatic	2,000 / 750	5,500	2,200	1,300
	100kW TDI	2,000 / 750	5,500	2,200	1,300
	100kW TDI Shiftmatic	2,000 / 750	5,500	2,200	1,300
	120kW TDI	2,000 / 750	5,500	2,200	1,300
<b>Crafter 50<sup>†</sup></b>					
<b>4,490</b>	80kW TDI	2,000	7,000	2,512	1,980
	80kW TDI Shiftmatic	2,000	7,000	2,512	1,980
	100kW TDI	2,000	7,000	2,512	1,980
	100kW TDI Shiftmatic	2,000	7,000	2,512	1,980
	120kW TDI	3,000	7,000	2,512	1,980

Super high roof: Add 27kg.

Trailer nose weight 100kg.

All data is provisional.

<sup>†</sup> Long rear overhang: Crafter 35 add 52kg (with super high roof +80kg); Crafter 50 add 47kg (with super high roof +75kg)

\* For 12% gradient.

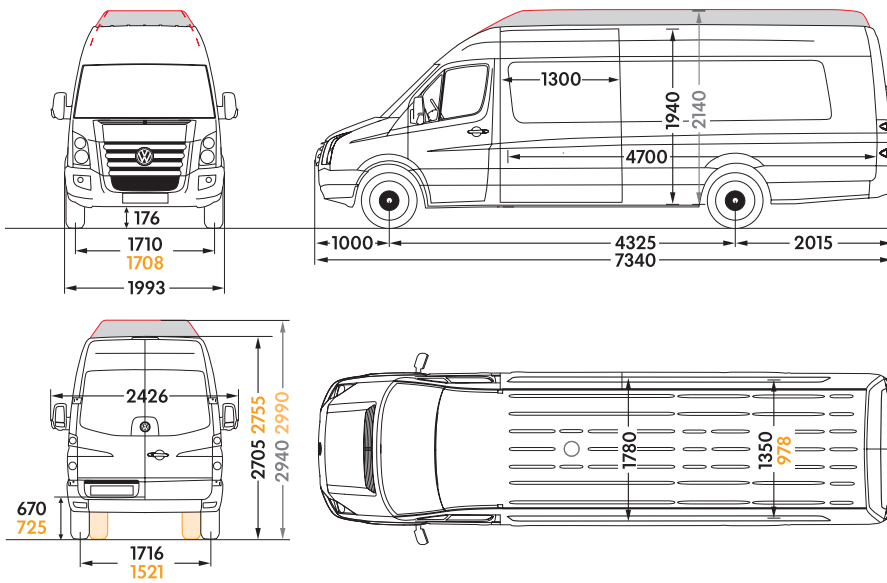
\*\* Kerb weight includes full tank of fuel and driver (75kg), excludes crew.

\*\*\* Payload = gross vehicle weight – kerb weight.

Weights are for vehicles with standard specification. The addition of factory options or Volkswagen Dealer fitted accessories may affect kerb weight and payload.



## Crafter 35 / Crafter 50 panel van long wheelbase with long overhang, high and extra high roof.



	Roof height	
	high	super high
Wheelbase	4,325	4,325
Load compartment volume	15.5m <sup>3</sup>	17m <sup>3</sup>
Lateral sliding door width	1,300	1,300
height	1,820	1,820
Rear doors width	1,565	1,565
height	1,840	1,840
Turning circle (wall to wall)	15.6m	15.6m

Figures in orange indicate Crafter 50 dimensions, where different.

Dimensions in mm unless otherwise indicated.

□ Indicates optional roof height.

The height measurements listed for dimensions are based on vehicles with standard specification, and may differ by approx ± 40mm depending on equipment fitted. Please note vehicle drawings are not to scale.

Gross vehicle weight kg	Engine	Trailer weight braked / unbraked* kg	Gross train weight kg	Kerb weight** kg	Payload*** kg
<b>Crafter 35</b>					
<b>3,500</b>	80kW TDI	2,000 / 750	5,500	2,252	1,248
	80kW TDI Shiftmatic	2,000 / 750	5,500	2,252	1,248
	100kW TDI	2,000 / 750	5,500	2,252	1,248
	100kW TDI Shiftmatic	2,000 / 750	5,500	2,252	1,248
	120kW TDI	2,000 / 750	5,500	2,252	1,248
<b>Crafter 50</b>					
<b>4,490</b>	80kW TDI	2,000	7,000	2,559	1,931
	80kW TDI Shiftmatic	2,000	7,000	2,559	1,931
	100kW TDI	2,000	7,000	2,559	1,931
	100kW TDI Shiftmatic	2,000	7,000	2,559	1,931
	120kW TDI	3,000	7,000	2,559	1,931

Super high roof: Add 28kg.

Trailer nose weight 100kg.

All data is provisional.

\* For 12% gradient.

\*\* Kerb weight includes full tank of fuel and driver (75kg), excludes crew.

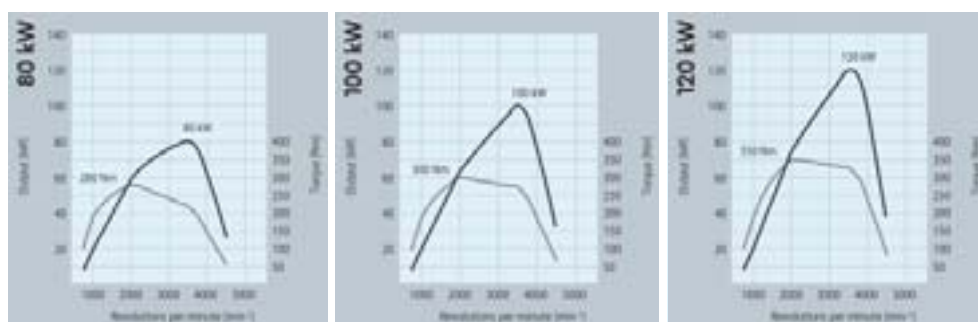
\*\*\* Payload = gross vehicle weight – kerb weight.

Weights are for vehicles with standard specification. The addition of factory options or Volkswagen Dealer fitted accessories may affect kerb weight and payload.

## Crafter panel van engine specifications.

	80kW TDI	100kW TDI	120kW TDI
Engine type	Longitudinal, water cooled and inline layout		
Mixture preparation/injection method	Common rail direct injection with variable geometry turbine		
Exhaust emission standard	EU 4	EU 4	EU 4
No. of cylinders	5	5	5
Cubic capacity, cm <sup>3</sup>	2,459	2,459	2,459
Output, kW at rpm	80 at 3,500	100 at 3,500	120 at 3,500
Torque, max. Nm/rpm	280 / 2,000	300 / 2,000	350 / 2,000
Diesel particulate filter	•	•	•
6-speed manual gearbox	•	•	•
6-speed Shiftmatic auto	○	○	–
Rear wheel drive	•	•	•

- Standard.
- Optional.
- Not available.



## Shiftmatic.

This lightweight gearbox combines the functionality of an automatic with the characteristics of a manual.

The Shiftmatic can be operated in either manual or automatic mode. In automatic mode all gears are selected automatically by the gearbox control unit, with a kick-down function for those times where extra acceleration is needed.

In manual mode, the driver pushes the gear lever forwards to change down, or backwards to change up, giving all the benefits of a manual gearbox without the need for a manual clutch – perfect for city driving.



# Owning a Volkswagen Commercial Vehicle.

## **Volkswagen New Vehicle Warranty**

Every new Volkswagen commercial vehicle is covered by a 3-year/ 100,000km or 3-year/200,000 km on Crafter (whichever occurs first) manufacturer's warranty, which includes Volkswagen Assist (24hr roadside assistance). Every new Volkswagen commercial vehicle is also covered by a 3-year paintwork and 12 year anti-corrosion perforation warranty.

## **Volkswagen Assist – 24 hour roadside assistance**

As a valued customer, you can be assured that wherever you travel within Australia, you will have access to roadside assistance, 24 hours a day, 365 days a year. This is complimentary for the duration of the vehicle's original Volkswagen warranty period. You will receive help in the event of a breakdown or accident and if required, your vehicle will be mobilised or transported to an Authorised Volkswagen Repair Centre.

## **Volkswagen Extended Warranty**

Why not continue the confidence of a Volkswagen Warranty by purchasing a Volkswagen Extended Warranty. For further details on this option, please contact your local Volkswagen Dealer for more details.

## **Volkswagen Service**

Your Authorised Volkswagen Service Centre is part of Volkswagen's global Quality Management System, ensuring all dealers are certified to ISO 9001:2000 – an internationally recognised Quality Standard. Authorised Volkswagen Service Centres have factory trained Technicians equipped with the very latest diagnostic equipment, specialist tooling and Volkswagen Genuine Parts. An Authorised Volkswagen Service Centre undertakes work in accordance to factory specified guidelines and maintenance schedules.

## **Volkswagen Genuine Parts®**

Volkswagen Genuine Parts® are designed for your vehicle and approved by Volkswagen, with particular regard to safety. The workmanship, dimensional accuracy and materials used in these parts comply with factory specifications. To ensure safety and reliability, Volkswagen recommends the use of Volkswagen Genuine Parts®. Volkswagen Authorised Dealers offer a 2-year warranty on Genuine Parts from the date of purchase.