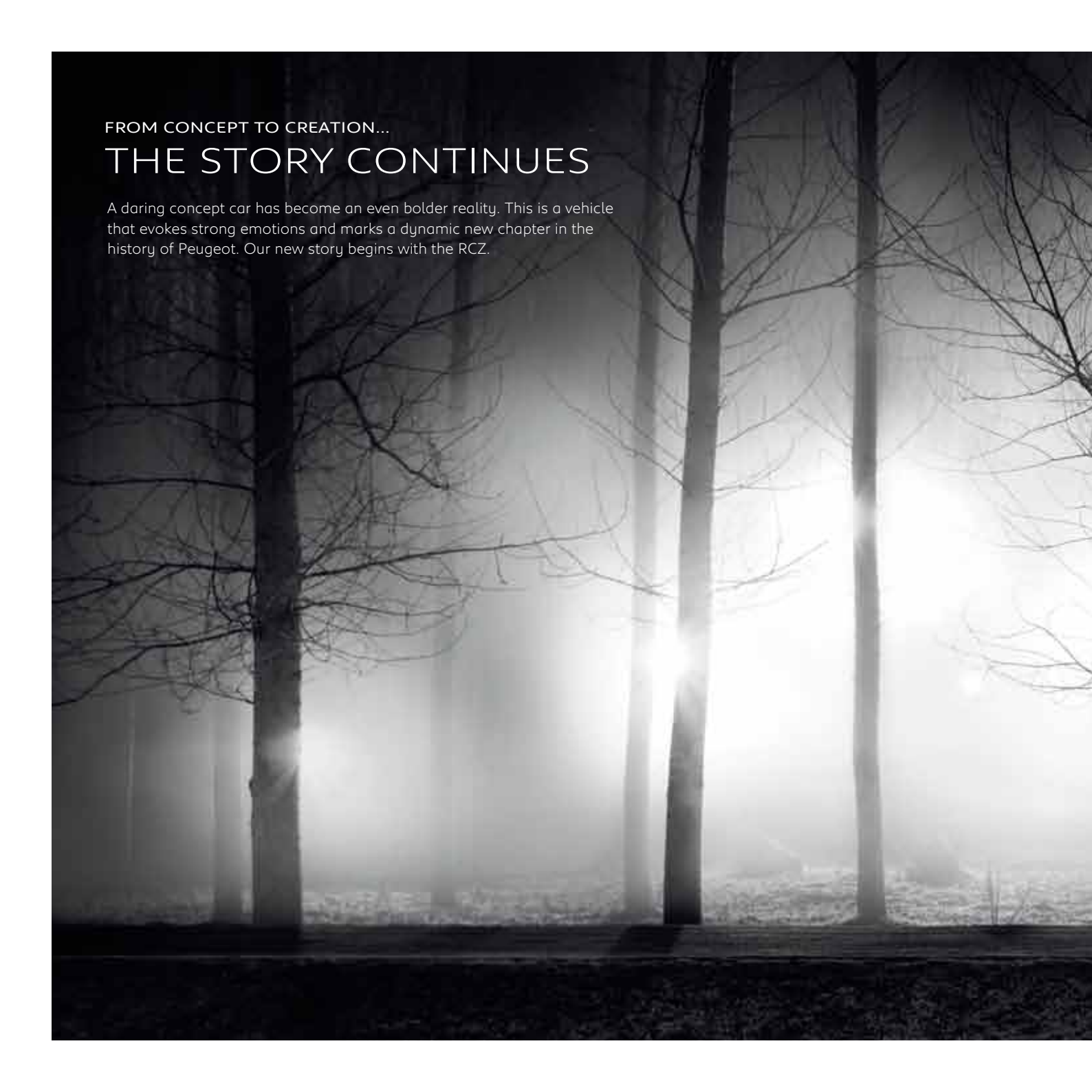




RCZ



PEUGEOT



FROM CONCEPT TO CREATION...

# THE STORY CONTINUES

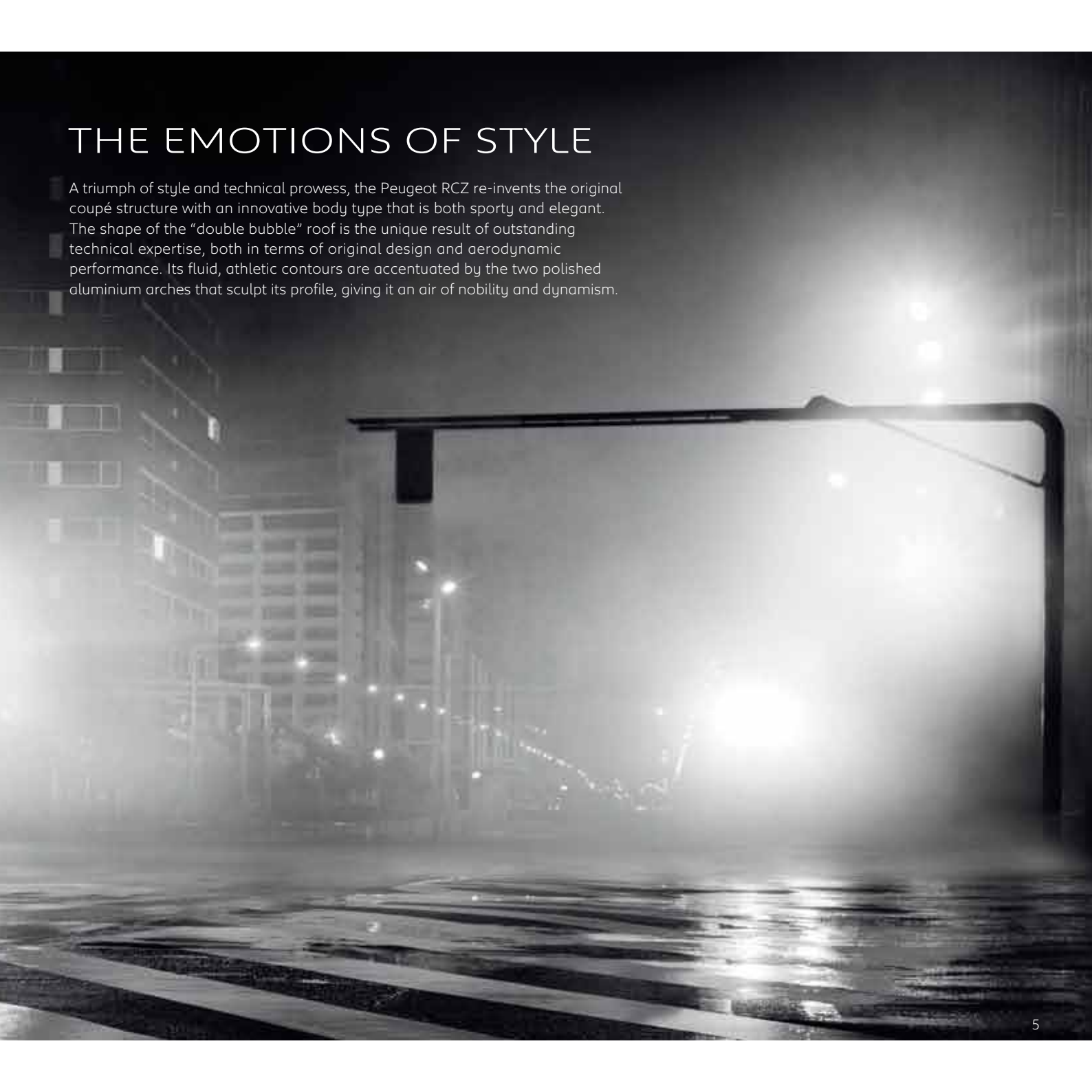
A daring concept car has become an even bolder reality. This is a vehicle that evokes strong emotions and marks a dynamic new chapter in the history of Peugeot. Our new story begins with the RCZ.

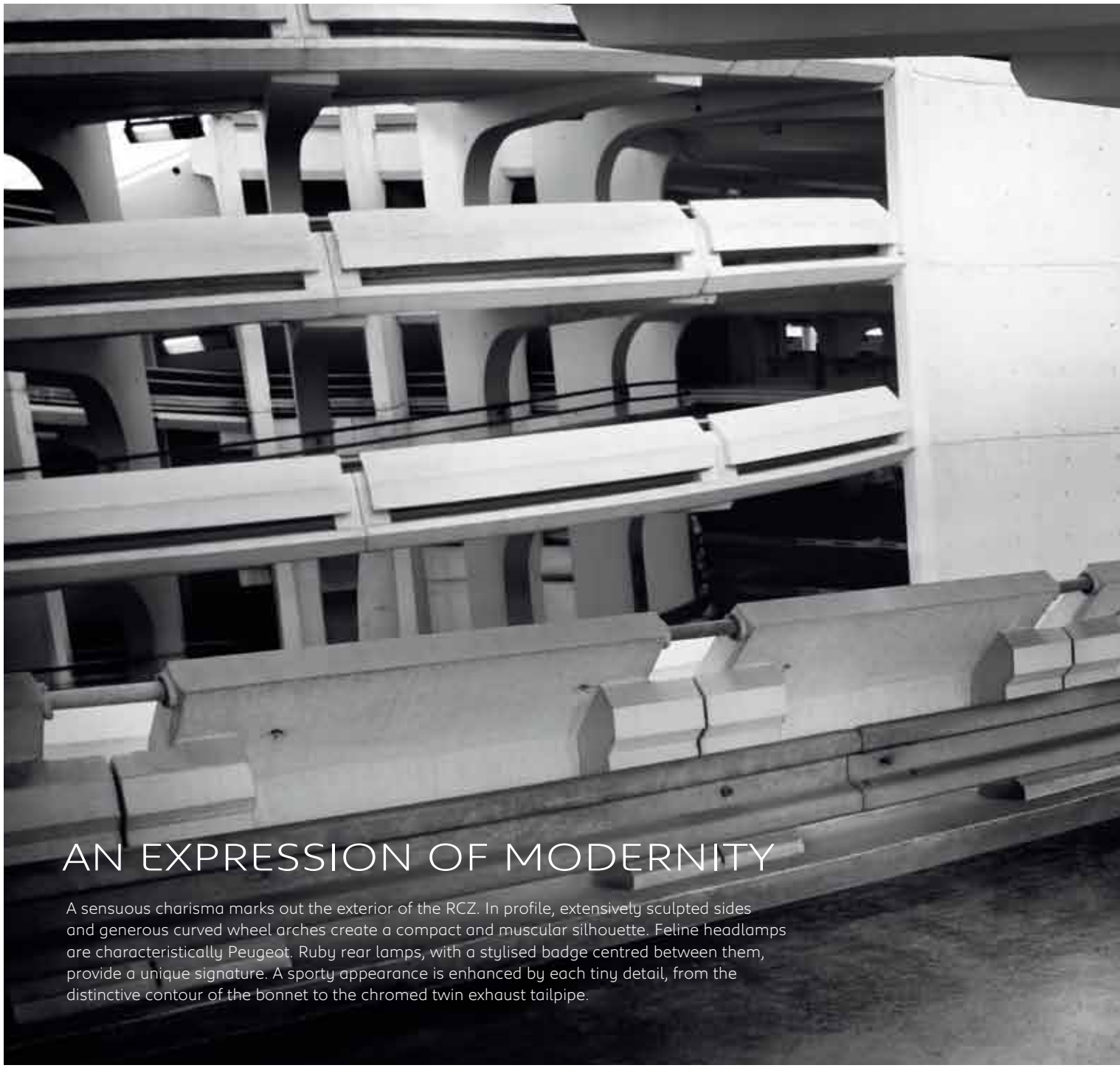




# THE EMOTIONS OF STYLE

A triumph of style and technical prowess, the Peugeot RCZ re-invents the original coupé structure with an innovative body type that is both sporty and elegant. The shape of the “double bubble” roof is the unique result of outstanding technical expertise, both in terms of original design and aerodynamic performance. Its fluid, athletic contours are accentuated by the two polished aluminium arches that sculpt its profile, giving it an air of nobility and dynamism.





## AN EXPRESSION OF MODERNITY

A sensuous charisma marks out the exterior of the RCZ. In profile, extensively sculpted sides and generous curved wheel arches create a compact and muscular silhouette. Feline headlamps are characteristically Peugeot. Ruby rear lamps, with a stylised badge centred between them, provide a unique signature. A sporty appearance is enhanced by each tiny detail, from the distinctive contour of the bonnet to the chromed twin exhaust tailpipe.







The image shows the driver's side interior of a Peugeot RCZ. The steering wheel is black with a silver Peugeot lion logo in the center. The dashboard and center console are black with silver accents. The car is parked on a beach, with the ocean and a white surfboard visible through the side window. The text "EXTREME SEDUCTION" is overlaid on the right side of the image.

## EXTREME SEDUCTION

New sensations abound in the RCZ. The stylish fascia panel offers a refined, uncluttered view. It is trimmed in a hi-tech, soft-feel material developed especially for this car.

Dynamic lines structure the arrangement of the cabin.

Drivers will admire the distinctive metal inserts on the dials of the instrument panel, inspired by the highest level of motorsport and unique to the RCZ.

## QUALITY IN EVERY DETAIL

Meticulous attention has been paid to the style of each component and the elegance of the materials used. Whether it's the leather finish with double over stitching or the use of chromed or aluminium inserts, each part has been produced with the utmost care.

You will immediately notice the fine, soft texture of the fascia panel and the rich thickness of the steering wheel's full-grain leather. The seats are covered in soft and supple Nappa leather.

The influence of motor sport prestige continues in the clock, the instrument panels and the metal and carbon-effect background of the dials.





## PERSONAL SPACE

Sport seats follow the shape of the body and give you the feeling of being in perfect harmony with your RCZ. The steering wheel plus all the controls fall naturally to hand, reinforcing the impression of comfort and control.

A low, ergonomic driving position allows you to appreciate the handling qualities of the car. The sound of the engine on acceleration is particularly polished.

This auditory ambiance is enhanced by both the quality of the soundproofing and remarkable vibration damping performance. Take your place behind the wheel and your journey truly begins.







## A SENSATION LIKE NEVER BEFORE

The RCZ is a rare and exclusive coupé which not only attracts admiring glances, but takes the idea of driving pleasure to the highest level. The "passionate" relationship between the road and the car takes on its full meaning here.







### 1.6L THP 147 kW 6-speed manual

This state-of-the-art engine draws full benefit from the vehicle's chassis. With its maximum power of 147kW at 5,500 rpm and 275 Nm of torque all the way from 1,700 to 4,500 rpm, the Peugeot RCZ benefits from acceleration of the highest order with 0-100km/h occurring in 7.5 seconds whilst its fuel consumption is 6.9L per 100km, combined with emissions of 159 g/km of CO<sub>2</sub>.

PETROL

### 1.6L THP 115 kW 6-speed automatic

This petrol direct injection turbocharged engine with 6 speed sequential automatic gearbox finds a remarkable balance between performance and the ease of automatic transmission use.

PETROL

### 2.0L HDi FAP 120 kW 6-speed manual

This engine has a capacity of 1,997 cm<sup>3</sup> and develops a maximum power reaching 120 kW at 3,750 rpm with a maximum torque of 340 Nm from 2,000 to 3,000 rpm. To reach such performance it has a new generation combustion chamber, a low inertia variable geometry turbocharger and a high-pressure pump with the latest common rail direct injection technology.

DIESEL

## REFINED EMOTIONS

The Peugeot RCZ's range of engines had not only to live up to the standards of the vehicle itself but also satisfy the demands of modern drivers who are experts in driving pleasure. The answer lies in the choice of engines which are powerful in every sense of the word: generous torque and power, limited fuel consumption and CO<sub>2</sub> emissions as well as compliance with the stringent Euro 5 standard.

To provide a new driving experience, the Peugeot RCZ concentrates all of Peugeot's expertise in terms of handling and road holding. The Peugeot RCZ has a low centre of gravity, with wide front and rear tracks and reinforced suspension and wheels.

The suspension has a very generous tyre fit (18" or 19") providing extremely effective road holding. The hydraulic power steering is configured to offer precision of the highest order and excellent return of information. It was engineered that the braking should be powerful and sustained; this is provided by large ventilated discs.

# PEUGEOT AND THE ENVIRONMENT

Peugeot offers an extensive range of low emission vehicles – more than half of its sales worldwide are of vehicles emitting less than 140 g of CO<sub>2</sub> per km. This performance relies on proven technology in which Peugeot leads the way.

The diesel engine combined with particle emission filter (the latter being a Peugeot invention) is now fitted in more than 2.1 million vehicles (99.99% reduction of particle emissions).

And into the future, Peugeot continues to lead the way with environmentally-responsible technologies such as diesel-electric hybrid, full electric and new generations of HDi.



# THE RCZ, CARING FOR THE ENVIRONMENT

## HDi FAP

HDi technology combines with an extremely high-performance emission control system, the Particle Emission Filter (FAP). A self-cleaning system, it treats the gas resulting from the

combustion of the diesel in the engine. The filter contributes to reducing the diesel particles, bringing them to the measurable limit (0.004 g/km). This technology makes the diesel an even cleaner engine.

## CONSUMPTION AND EMISSIONS

Standardised fuel consumption, measured by ADR 81/02	Petrol		Diesel
	1.6L THP 147 kW 6MT	1.6L THP 115 kW 6AT	2.0L HDi FAP 120 kW 6MT
Urban consumption (litres/100 km)	9.1	10.3	6.8
Highway consumption (litres/100 km)	5.6	5.5	4.5
Combined consumption (litres/100 km)	6.9	7.3	5.3
Mixed emission of CO <sub>2</sub> (g/km)	159	168	139

# SAFETY

## **Braking system and ESP® (Electronic Stability Program / Dynamic Stability Control)**

To retain optimal balance and preserve driving pleasure in all difficult situations, the Peugeot RCZ comes with a complex braking system that combines several functions:

- Anti-Skid Regulation (ASR) system which acts on the brakes and the engine management to limit wheel slip during loss of grip.
- Dynamic Stability Control (DSC) which continuously compares the information transmitted by the steering wheel sensor and the yaw sensor in order to detect any start of understeer or oversteer. It then puts your Peugeot RCZ back on course, within the limits of the laws of physics.
- Anti-lock Braking System (ABS) helps you to gain better control over any loss of grip on emergency braking.

- Electronic Brake force Distribution (EBD) which controls braking pressure wheel by wheel for greater efficiency, particularly when braking on corners.
- Emergency Braking Assistance (EBA) which increases the effectiveness of your braking if necessary.

## **Intelligent Traction Control**

The Intelligent Traction Control system adds a new function to the conventional traction control. It assists in detecting situations of difficult grip which could make moving off and the progress of the vehicle difficult on roads which are icy or covered with snow. In these situations, the Intelligent Traction Control system takes the place of the ASR function by reducing the slipping of the front wheels to favour good traction and maintaining the required direction.

## **Active Rear Spoiler**

The Peugeot RCZ has an Active Rear Spoiler. Controlled automatically in relation to the speed of the vehicle or deployed at the request of the driver, it optimises the flow of the air and improves downforce.

## **Airbags**

The Peugeot RCZ has 4 airbags to contribute to effective protection regardless of the position of the front seats, with 2 driver and passenger front airbags and 2 chest/pelvis side airbags.

## **Seatbelts**

The 4 seatbelts fitted in the Peugeot RCZ are all equipped with an unfastening detection system and a force limiter which optimises the restraining of the passengers by avoiding excessive force on the rib cage. Activation of the pre-tensioning system on the two front seatbelts, improves the restraint of the front occupants in the event of a front impact or if the vehicle were to roll over.

## **Active bonnet**

The RCZ offers a truly innovative approach to pedestrian safety: it is fitted with an active bonnet system. Multiple sensors located in the nose of the car detect impact with a pedestrian which then triggers pyrotechnic charges to raise the bonnet up from its trailing edge, thereby providing a cushioned fall and helping to minimise injury.

### Increased Safety

In keeping with the philosophy of the Peugeot RCZ, an extensive range of equipment is offered to provide you with maximum safety. In addition to road holding of the highest level, the vehicle's structure and large dimensions contribute to withstanding and absorbing the energy of front and side impacts. It is enhanced by intelligent restraining equipment.





## SPACE AND AESTHETICS

Aesthetics combine with practicality. If you're going away for a long weekend, the Peugeot RCZ offers space that you would not expect in a coupé. Its boot has a generous capacity of 384L.

Extra volume can be obtained by folding down the rear seat backrests, which increases the maximum volume of the boot to 760L.

Meticulous attention has also been paid to the style and finish of the boot with carpet and chromed securing rings as standard.



## A TRUE 2+2 COUPÉ

Two additional seats simply offer more possibilities. The two rear seats are carefully sculpted and designed in harmony with the front seats. They sit directly below the heart of the 'double bubble' roof, allowing more height and space for rear passengers. In the RCZ comfort and wellbeing have been considered down to the smallest detail; for instance when accessing the rear seats, the memorised position of the front seat backrest is restored automatically when the seat is put back in place.





## TECHNOLOGY

It's easy to relax and enjoy the journey thanks to the range of technological equipment offered on the RCZ. This extends from the cruise control/speed limiter, to the audible front and rear parking assistance, passing via the optional JBL Hi-Fi system designed specifically for the passenger compartment.

# COLOURS

A chic range of 8 flat, metallic or pearlescent colours has been selected to enhance the appearance of the aluminium arches and “double bubble” shapes of the roof and rear screen

## METALLIC OR PEARLESCENT COLOURS (optional)



Pearlescent White



Tourmaline



Shark Grey



Perla Black



Mercury Grey



Tuanake Blue

SOLID COLOUR



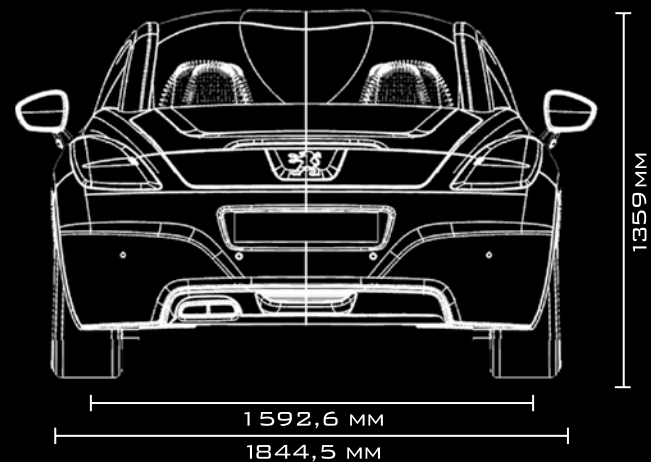
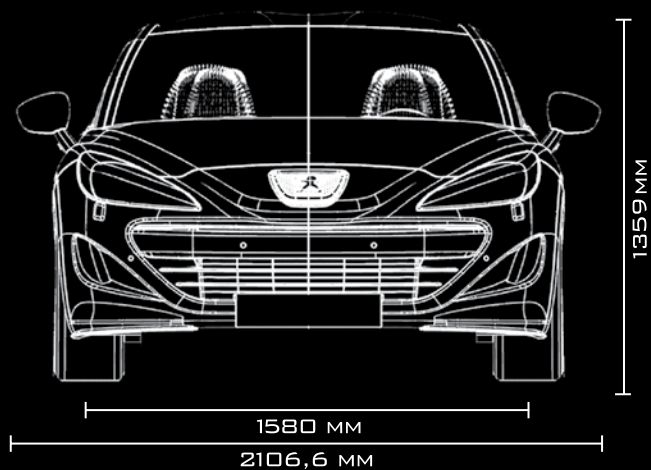
Haria Grey

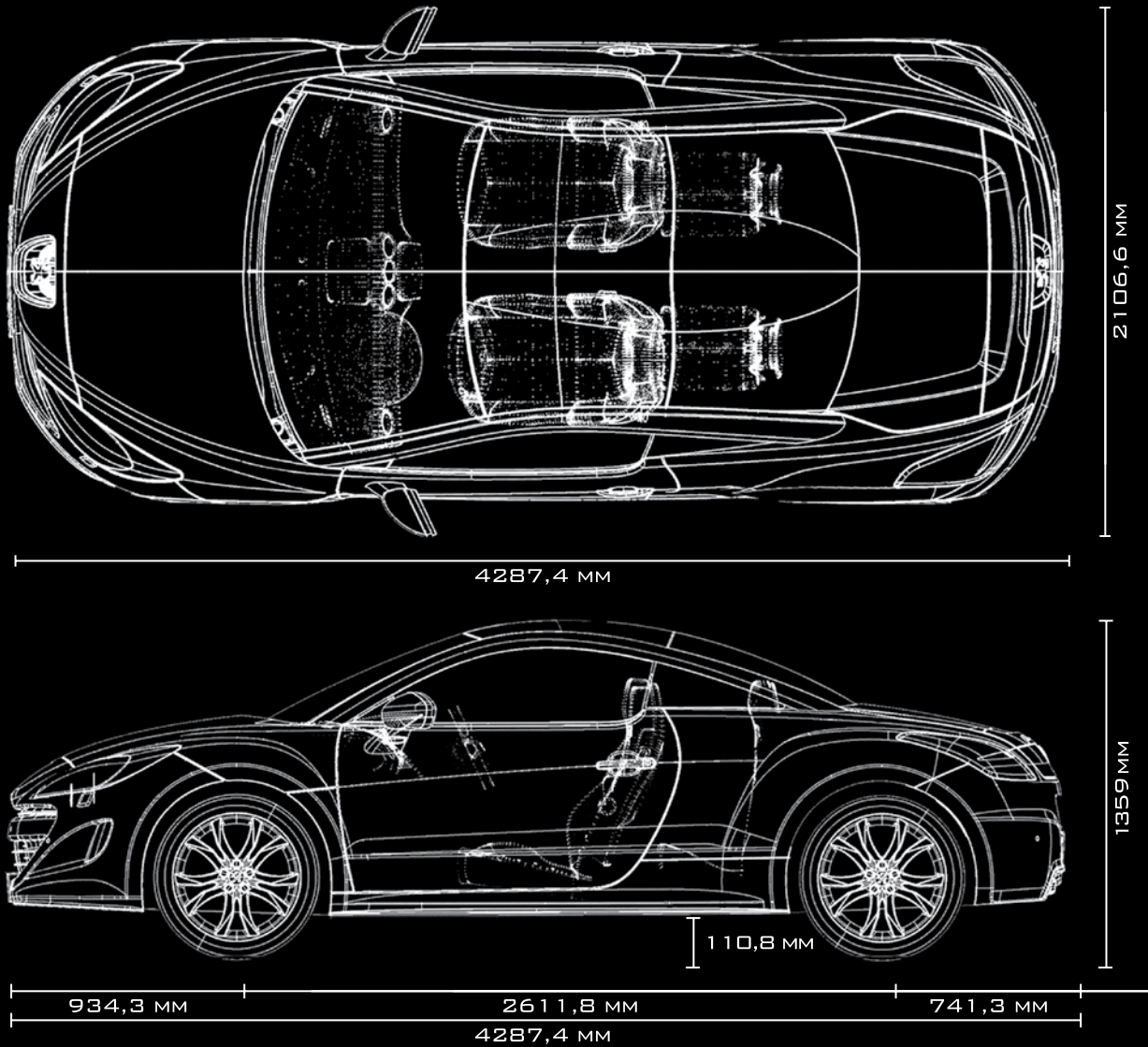


Opal White

# DIMENSIONS

Each line has been refined and perfectly proportioned to create a sports coupé of great balance and harmony. The width-length-height ratio and the muscular and sculpted shapes define its athletic style and reinforce its dynamic and aerodynamic qualities for optimum road holding.





[www.peugeot.com.au](http://www.peugeot.com.au)

To find out more about the Peugeot RCZ, configure your perfect model in 3D and get full information about specifications, options, personalisation and maintenance of RCZ, visit the website.



# PEUGEOT AND YOU.

When you choose Peugeot, you have the reassurance of knowing that your vehicle has been designed and manufactured to give you years of worry-free motoring. What's more, as a Peugeot owner, you can rely on a comprehensive range of customer care services from your Dealer. So you can be sure that you're talking to a specialist who'll listen to you, understand your problems and respond efficiently – someone who also has the expertise to maintain your Peugeot correctly, using trained technicians, Peugeot Diagnostic Equipment and Peugeot Original Equipment Parts.

## **DRIVING DOWN THE COSTS OF SERVICING**

Peugeot petrol and diesel engine cars need servicing every 20,000 kms or every 12 months, whichever is the sooner. This reflects a recent lengthening of the schedule and with less time spent in the maintenance bay and fewer service visits, Peugeot has passed on the benefits of technology in engine design and lubrication. While Peugeot can predict the maintenance needs of engine and other major components, the wearing of certain components such as tyres and brake pads is less predictable and is affected by driving style and conditions.

## **3 YEAR / 100,000 KM WARRANTY**

Should any part of the vehicle require repair or replacement as a result of a manufacturing or material defect within the warranty period, the part will be repaired or replaced completely free of charge by your authorised Peugeot dealer, regardless of any change of ownership during the period covered. The warranty does not cover items replaced during normal service

and maintenance operations, which are subject to wear and tear. During the period you will also automatically receive Peugeot Assistance cover for complete peace of mind (subject to the conditions outlined in the Warranty Maintenance Book).

## **12 YEAR ANTI-CORROSION WARRANTY**

Peugeots are renowned for their durability and longevity. This is due in part to the sophisticated measures which are taken during the production process to optimise long-term protection from the elements. Peugeot backs this advanced technology with a 12 year warranty against corrosion-perforation of your car's bodywork – one of the longest body warranties in the world today (subject to conditions in the Warranty Maintenance Book).

## **PEUGEOT ASSISTANCE**

Whatever it takes to get you going again, in the unlikely event of a breakdown or emergency, it only takes one free phone call. Peugeot Assistance is free for Peugeot new car owners. The programme includes 24-hour

roadside assistance, vehicle recovery, technical advice, message service, home assistance and accident or theft co-ordination. Your Peugeot Dealer has full details of all terms and conditions.

## **PEUGEOT GENUINE PARTS PROMISE**

If your car is in for a service or repair, the parts required to keep your car on the road are Peugeot genuine parts. Using specifically designed and manufactured parts ensures your Peugeot can operate at peak performance at all times.

## **IMPORTANT NOTICE**

Peugeot Automobiles Australia offers this brochure as a general guide to product specifications. Photographs and illustrations in this brochure are for illustrative purposes only and do not necessarily represent final production models for Australia, or modifications made to meet Australian standards or requirements. All data in this brochure is believed to be correct as at October 2010. However, as development is an ongoing

process, changes may occur from time to time which will not necessarily be reflected herein. Therefore, Peugeot Automobiles Australia reserves the right to change specifications without notice. Accordingly, this brochure should not be regarded as an infallible guide to correct specifications, nor does it constitute an offer for sale of any particular vehicle. Dealers are not agents of Peugeot Automobiles Australia and have absolutely no authority to bind Peugeot Automobiles Australia by an express or implied undertaking or representation. Peugeot Automobiles Australia is the trading name of Sime Darby Automobiles Pty Limited (ACN 000 426 282).

**FOR FULL SPECIFICATIONS DETAILS** visit [peugeot.com.au](http://peugeot.com.au)  
Peugeot Automobiles Australia  
Locked Bag 206,  
Silverwater NSW 1811

**AFTER**Care

# PEUGEOT: INNOVATIVE CARS SINCE 1889.

With a company history now 200 years old and more than 120 years of experience building motor cars, Peugeot – the world's oldest motor car brand – has developed acclaimed expertise in making cars that exceed drivers' expectations and which delight the senses with the thoroughness of their design.

Throughout this long history we have tirelessly questioned the accepted norms, seeking ways to refine existing vehicle concepts and even to create a few new ones of our own. The new Peugeot RCZ challenges the conventional wisdom on sports cars by injecting unrivalled refinement, cutting-edge technology and low emission, high performance engines.

In short, the RCZ continues our proud tradition of innovation and driving pleasure. On behalf of all the people that make our brand, I hope that you enjoy the new journeys and sensations it creates for you.

A handwritten signature in white ink, appearing to read 'Christian Peugeot', with a stylized flourish at the end.

Christian Peugeot