



Commercial  
Vehicles

# The Amarok Range

## Specification and Features



## Technical specifications

### Amarok Single Cab 4MOTION

Engine	TDI400	TDI420
Type	4 Cylinders, DOHC, 16 Valve	4 Cylinders, DOHC, 16 Valve
Capacity, litres/cc	2.0 / 1,968	2.0 / 1,968
Installation	Longitudinal	Longitudinal
Bore x Stroke / Compression ratio	81.0 x 95.5 / 16.5:1	81.0 x 95.5 / 16.5:1
Construction materials	Alloy head with cast iron block	Alloy head with cast iron block
Maximum power, kW @ rpm	132 @ 4,000	132 @ 4,000
Maximum torque, Nm @ rpm	400 @ 1,500 – 2,250	420 @ 1,750
Induction type	Bi-Turbochargers	Bi-Turbochargers
Intercooled	Yes	Yes
Transmission – manual	6 Speed	–
Transmission – automatic	–	8 Speed
Driven wheels	4MOTION – Selectable	4MOTION – Permanent
<b>Wheels and Tyres</b>		
Wheels	Steel 16" x 6.5J	Steel 16" x 6.5J
Tyres	205 R16	205 R16
<b>Fuel consumption** and performance</b>		
Fuel type	Diesel	Diesel
Fuel system	Common Rail Direct Injection	Common Rail Direct Injection
Fuel tank capacity, litres	80	80
	<b>Comb / Urban / Ex Urban • CO<sub>2</sub></b>	<b>Comb / Urban / Ex Urban • CO<sub>2</sub></b>
Manual, litre/100km • CO <sub>2</sub>	7.7 / 8.9 / 7.0 • 203	–
Automatic, litre/100km • CO <sub>2</sub>	–	8.3 / 10.1 / 7.3 • 219
<b>Gear ratios</b>		
	<b>TDI340</b>	<b>TDI420</b>
Final Drive	4.3	3.7
Gear 1:	4.82	4.714
Gear 2:	2.54	3.143
Gear 3:	1.49	2.106
Gear 4:	1	1.667
Gear 5:	0.76	1.285
Gear 6:	0.64	1
Gear 7:		0.839
Gear 8:		0.667
Reverse Gear:	4.37	3.3

\*\* Fuel consumption figures according to Australian Design Rule (ADR) 81/02. The driving style, road and traffic conditions, environmental influences, the fitment of accessories and vehicle condition can in practice lead to consumption figures which may differ from those calculated with these standards. Emission level according to European Regulation (EC) No. 715/2007 and Regulation (EC) No. 692/2008.

## Technical specifications

### Amarok Dual Cab 2WD

Engine	TDI340	TDI420
Type	4 Cylinders, DOHC, 16 Valve	4 Cylinders, DOHC, 16 Valve
Capacity, litres/cc	2.0 / 1,968	2.0 / 1,968
Installation	Longitudinal	Longitudinal
Bore x Stroke / Compression ratio	81.0 x 95.5 / 16.5:1	81.0 x 95.5 / 16.5:1
Construction materials	Alloy head with cast iron block	Alloy head with cast iron block
Maximum power, kW @ rpm	103 @ 3,500	132 @ 4,000
Maximum torque, Nm @ rpm	340 @ 1,600 – 2,250	420 @ 1,750
Induction type	Single Turbocharger	Bi-Turbochargers
Intercooled	Yes	Yes
Transmission – manual	6 Speed	–
Transmission – automatic	–	8 Speed
Rear Wheel Drive	Yes	Yes
<b>Wheels and Tyres</b>		
Wheels	Steel 16" x 6.5J	Steel 16" x 6.5J
Tyres	205 R16 C	205 R16 C
<b>Fuel consumption** and performance</b>		
Fuel type	Diesel	Diesel
Fuel system	Common Rail Direct Injection	Common Rail Direct Injection
Fuel tank capacity, litres	80	80
	<b>Comb / Urban / Ex Urban • CO<sub>2</sub></b>	<b>Comb / Urban / Ex Urban • CO<sub>2</sub></b>
2WD Manual, Litre/100km • CO <sub>2</sub>	7.5 / 9.1 / 6.2 • 197	–
2WD Automatic, Litre/100km • CO <sub>2</sub>	–	8.2 / 9.8 / 7.4 • 215

\*\* Fuel consumption figures according to Australian Design Rule (ADR) 81/02. The driving style, road and traffic conditions, environmental influences, the fitment of accessories and vehicle condition can in practice lead to consumption figures which may differ from those calculated with these standards. Emission level according to European Regulation (EC) No. 715/2007 and Regulation (EC) No. 692/2008.

## Technical specifications

### Amarok Core, Trendline, Highline and Ultimate 4MOTION

Engine	TDI400	TDI420
Type	4 Cylinders, DOHC, 16 Valve	4 Cylinders, DOHC, 16 Valve
Capacity, litres/cc	2.0 / 1,968	2.0 / 1,968
Installation	Longitudinal	Longitudinal
Bore x Stroke / Compression ratio	81.0 x 95.5 / 16.5:1	81.0 x 95.5 / 16.5:1
Construction materials	Alloy head with cast iron block	Alloy head with cast iron block
Maximum power, kW @ rpm	132 @ 4,000	132 @ 4,000
Maximum torque, Nm @ rpm	400 @ 1,500 – 2,250	420 @ 1,750
Induction type	Bi-Turbochargers	Bi-Turbochargers
Intercooled	Yes	Yes
Transmission – manual	6 Speed	–
Transmission – automatic	–	8 Speed
Driven wheels	4x4 (4MOTION) – Selectable	4x4 (4MOTION) – Permanent
<b>Wheels and Tyres</b>		
Wheels (Core)	Alloy 16" x 6.5J "Korama"	Alloy 16" x 6.5J "Korama"
Wheels (Trendline)	Alloy 17" x 8J "Aldo"	Alloy 17" x 8J "Aldo"
Wheels (Highline)	Alloy 18" x 8J "Durban"	Alloy 18" x 8J "Durban"
Wheels (Ultimate)	Alloy 19" x 8J "Cantera"	Alloy 19" x 8J "Cantera"
Tyres (Core)	245/70 R16	245/70 R16
Tyres (Trendline)	245/65 R17	245/65 R17
Tyres (Highline)	255/60 R18	255/60 R18
Tyres (Ultimate)	255/55 R19	255/55 R19
<b>Fuel consumption** and performance</b>		
Fuel type	Diesel	Diesel
Fuel system	Common Rail Direct Injection	Common Rail Direct Injection
Fuel tank capacity, litres	80	80
	<b>Comb / Urban / Ex Urban • CO<sub>2</sub></b>	<b>Comb / Urban / Ex Urban • CO<sub>2</sub></b>
4MOTION Manual, Litre/100km • CO <sub>2</sub>	7.9 / 9.7 / 7.0 • 209	–
4MOTION Automatic, Litre/100km • CO <sub>2</sub>	–	8.3 / 10.1 / 7.3 • 219
<b>Gear ratios</b>		
	<b>TDI400</b>	<b>TDI420</b>
Final Drive	4.1	3.7
Gear 1:	4.82	4.714
Gear 2:	2.54	3.143
Gear 3:	1.49	2.106
Gear 4:	1	1.667
Gear 5:	0.76	1.285
Gear 6:	0.64	1
Gear 7:		0.839
Gear 8:		0.667
Reverse Gear:	4.37	3.3

\*\* Fuel consumption figures according to Australian Design Rule (ADR) 81/02. The driving style, road and traffic conditions, environmental influences, the fitment of accessories and vehicle condition can in practice lead to consumption figures which may differ from those calculated with these standards. Emission level according to European Regulation (EC) No. 715/2007 and Regulation (EC) No. 692/2008.

## Drivetrain

Suspension and Steering	
Front axle	Transverse link with A-frame arm double wishbone and anti-roll bar
Rear axle	Multi-layer rigid axle with leaf spring and stabiliser bar
Steering	Rack and pinion power steering
Turning circle, m	12.95
Brakes	
Front disc brakes, mm	303 ventilated disc
Rear disc brakes, mm	292 drum brake
Brake systems	ESP, ABS, EBD, EDL, Hill Hold, Brake Assist, Traction Control and Off-Road ABS including Hill Descent

## Measurements and statistics

Weights				
GVM, 3,040kg	Standard (Heavy Duty)			
GVM, 2,820kg	Optional for Highline and Ultimate (Comfort Suspension)			
Towing capacity, braked/unbraked, kg	3,000/750			
Towing downball load, kg	300			
Amarok Single Cab	TDI400 4WD (Manual)	TDI420 4WD (Auto)		
Unladen Mass <sup>1</sup> , kg	1,876	1,875		
Payload <sup>2</sup> , @ 3,040kg GVM, kg	1,164	1,165		
Amarok Dual Cab	TDI340 2WD (Manual)	TDI420 2WD (Auto)		
Unladen Mass <sup>1</sup> , kg	1,872	1,908		
Payload <sup>2</sup> , @ 3,040kg GVM, kg	1,168	1,132		
Amarok Dual Cab Core	TDI400 4WD (Manual)	TDI420 4WD (Auto)		
Unladen Mass <sup>1</sup> , kg	2,020	2,020		
Payload <sup>2</sup> , @ 3,040kg GVM, kg	1,020	1,020		
	Amarok Trendline Auto TDI420 4WD	Amarok Highline Manual TDI400 4WD	Amarok Highline Auto TDI420 4WD	Amarok Ultimate Auto TDI420 4WD
Unladen Mass <sup>1</sup> , kg	2,036	2,050	2,049	2,051
Payload <sup>2</sup> , @ 3,040kg GVM, kg	1,004	990	991	989
Payload <sup>2</sup> , @ 2,820kg GVM, kg	-	791	791	790

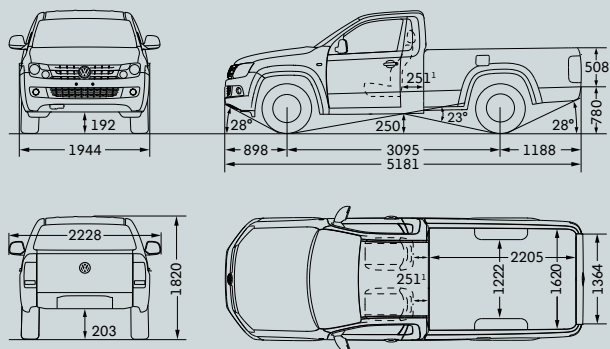
Dimensions	Amarok Single Cab	Amarok Dual Cab	Amarok Dual Cab Core	Amarok Trendline, Highline and Ultimate
Length, mm	5,181	5,181	5,254	5,254
Width, mm	1,944	1,944	1,944	1,954
Width, including door mirrors, mm	2,228	2,228	2,228	2,228
Height, mm	1,820	1,820	1,820	1,820
Wheelbase, mm	3,095	3,095	3,095	3,095
Ground clearance, mm	192	230	192	192
Entry angle	28°	28°	28°	28°
Departure angle	28°	28°	23.6°	23.6°
Ramp angle	21.4°	23°	21.4°	21.4°
Wading depth, mm	500	500	500	500

<sup>1</sup>The Unladen Mass (UM) includes 10L of fuel, vehicle fluids and no occupants. Figures quoted are for base model vehicles only. <sup>2</sup>Payload figures determined by subtracting 'Unladen Mass'(UM) from total 'Gross Vehicle Mass' (GVM). A vehicle's final payload, given the different available configurations, can only be determined by weighing the individual vehicle and comparing to the known GVM. Figures quoted are for base model vehicles only.

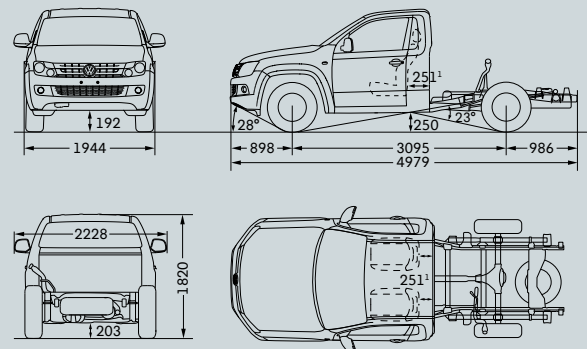
## Measurements and statistics

Cargo area	Amarok Single Cab	Amarok Dual Cab 2WD and Core	Amarok Trendline, Highline and Ultimate
Rear tailgate width, mm	1,364	1,364	1,364
Rear tailgate height, mm	508	508	508
Load area, m <sup>2</sup>	3.57	2.52	2.52
Tie down points	6	4	4
Length, mm	2,205	1,555	1,555
Width at widest point, mm	1,620	1,620	1,620
Width at wheel arches, mm	1,222	1,222	1,222
Height from ground, mm	780	780	780
<b>Warranty and service</b>			
Vehicle	3 Year, Unlimited km		
Paint / Corrosion	3 Years / 6 Years		
Road side assistance	3 Years, Unlimited km		

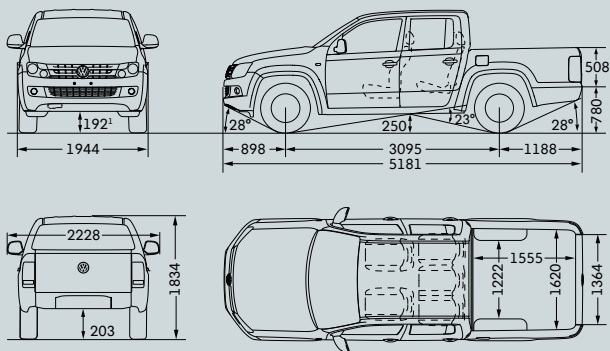
### Amarok Single Cab



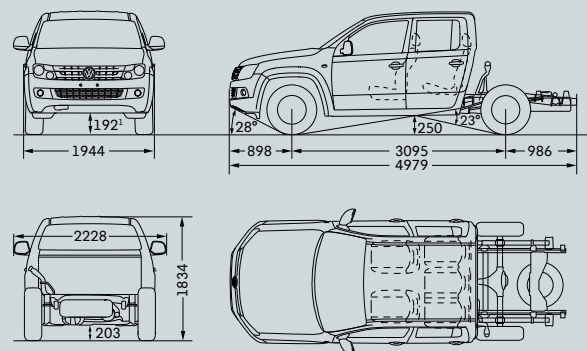
### Amarok Single Cab Chassis



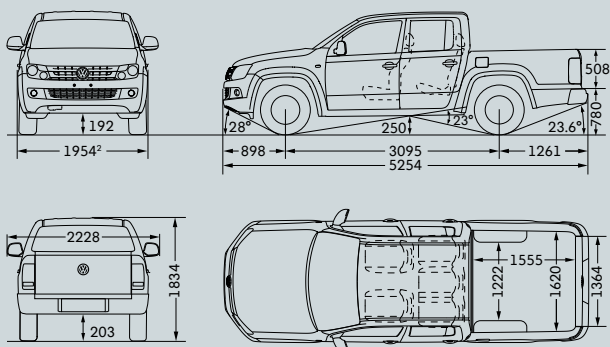
### Amarok Dual Cab 2WD, Core



### Amarok Dual Cab 2WD, Core Chassis



### Amarok Dual Cab – Trendline, Highline and Ultimate



<sup>1</sup>4MOTION models have 192mm minimum ground clearance / 2WD models have 230mm minimum ground clearance. <sup>2</sup> Body width including wheel arch flares.

## Standard and optional equipment

	Single Cab 4MOTION	Dual Cab 2WD	Dual Cab Core	Dual Cab Trendline	Dual Cab Highline	Dual Cab Ultimate
<b>Safety and security</b>						
Airbag for driver and front seat passenger	S	S	S	S	S	S
Front side head/thorax airbag	S	S	S	S	S	S
Electronic Stability Programme (ESP) with Brake Assist, ABS (incl. off-road ABS, ASR and EDL)	S	S	S	S	S	S
Active Roll-over Prevention	S	S	S	S	S	S
Trailer Sway Stability Control (only with genuine towbar wiring kit)	S	S	S	S	S	S
Electronic engine immobiliser	S	S	S	S	S	S
Remote central locking	S	S	S	S	S	S
Front height adjustable 3-point seat belt with pre-tensioners	S	S	S	S	S	S
Child restraint anchor points (3 in second row of seats)	–	S	S	S	S	S
Alarm with back-up horn	–	–	–	–	S	S
Seat belt warning (driver's seat)	S	S	S	S	S	S
Daytime running lights	S	S	S	S	S	S
Lockable rear tailgate with "comfort" closing	–	–	–	S	S	S
<b>Driver assist</b>						
Park distance control – rear	O	O	O	–	–	–
Park distance control – front and rear	–	–	–	S	S	S
Rear view camera	–	–	–	O	S	S
Light and sight (automatic headlights and rain-sensing wipers)	O	O	O	S	S	S
<b>Audio and media</b>						
RCD320 Radio CD Player, SD card reader, Aux-in socket, USB input (iPod compatibility) with 4 speakers.	S	–	–	–	–	–
RCD320 Radio CD Player, SD card reader, Aux-in socket, USB input (iPod compatibility) with 6 speakers	–	S	S	S	–	–
RNS315 Satellite Navigation / Multimedia 5" touch screen, SD card reader, Aux-in socket. Also includes AM/FM radio with RDS and single CD player.	–	–	–	O	S	S
Leather multifunction steering wheel with controls for audio and phone and multifunction display	S	S	S	S	S	S
Bluetooth® connectivity, including audio streaming and hands-free phone operation*	S	S	S	S	S	S
<b>Exterior</b>						
Metallic paint	O	O	O	O	O	O
Pearl effect paint	O	O	O	O	O	O
Stainless steel sports bar	A	A	A	A	S	S
Stainless steel side steps	A	A	A	A	S	S
Underbody design element – front	–	–	–	A	A	S
Front fog lights	O	O	O	S	S	S
Bi-Xenon headlamps with LED day-time running lamps (DRL)	–	–	–	–	S	S
Rear fog light (not for chassis model)	S	S	S	S	S	S
High level brake light and cargo area lighting	S	S	S	S	S	S
Front and rear mud flaps <sup>1</sup>	S <sup>1</sup>	S <sup>1</sup>	S <sup>1</sup>	S <sup>1</sup>	S	S
Engine protection	S	–	S	S	S	S
Body coloured front bumpers	S	S	S	S	S	S
Body coloured mirrors and door handles	–	–	–	S	S	S
Rear bumper with integrated step	O	O	S	S	S	S
Chrome rear bumper with integrated step	–	–	–	–	S	S
Chrome highlights on mirrors, front and rear bumpers and grille	–	–	–	–	S	S

<sup>1</sup> For chassis version, the rear mudflaps are not fitted.

\*Not all devices will be compatible and functionality will vary depending on the device.

## Standard and optional equipment

	Single Cab 4MOTION	Dual Cab 2WD	Dual Cab Core	Dual Cab Trendline	Dual Cab Highline	Dual Cab Ultimate
<b>Exterior</b>						
Lashing Rings in tray for load restraint	S-6	S-4	S-4	S-4	S-4	S-4
Ladder Frame Chassis in high strength steel	S	S	S	S	S	S
Cab Chassis model (without rear tray and rear bumper)	O	O	O	–	–	–
<b>Wheels and tyres</b>						
16" x 6.5J Steel Wheels with 205 R16C	S	S	–	–	–	–
16" x 6.5J Alloy wheels "Korama" with 245/70 R16 tyres	O	–	S	–	–	–
16" AT-R (Pirelli) Tyre (245/70 R16)	O	–	S	–	–	–
17" x 8.0J Alloy wheels "Aldo" with 245/65 R17 tyres	–	O	O	S	–	–
18" x 7.5J Alloy wheels "Durban" with 255/60 R18 tyres	–	–	–	–	S	–
19" x 8.0J Alloy wheels "Cantera" with 255/55 R19 tyres	–	–	–	–	–	S
Extended wheel arches (with 17", 18" or 19" Alloy wheels)	–	O	O	S	S	S
Full size spare wheel - Steel	S	S	S	–	–	–
Full size spare wheel - Alloy	–	–	–	S	S	S
<b>Seats</b>						
Cloth seats	S	S	S	S	S	–
Interior trim – "Austin" cloth	S	S	S	–	–	–
Interior trim – "Trail" cloth	–	–	–	S	–	–
Interior trim – "Endless" cloth	–	–	–	–	S	–
Interior trim – "Vienna" Leather appointed*	–	–	–	–	O	S
Interior trim – "Vienna" Mendoza Leather appointed*	–	–	–	–	O	O
Leather appointed trim with seat heaters for driver and front passenger*	–	–	–	–	O	S
Alcantara® appointed seats* with carbon-look bolster finish, including seat heaters for driver and front passenger	–	–	–	–	O	O
Folding rear bench seat – backrest forwards and seat base upward with fastening strap	–	S	S	S	S	S
Headrests for rear bench seats (3)	–	S	S	S	S	S
Driver and front passenger seat with height adjustment	S	S	S	S	S	S
Driver and front passenger lumbar support	–	O	O	S	S	S
<b>Windows and doors</b>						
Driver and passenger with one-touch up/down	S	S	S	S	S	S
Front and rear electric windows with roll-back function	S (front only)	S	S	S	S	S
Heat insulating (green) glass	S	S	S	S	S	S
Privacy glass – rear	–	–	–	–	S	S
<b>Air conditioning</b>						
Climatic air-conditioning	S	S	S	S	–	–
Climatronic air-conditioning dual-zone	–	–	–	–	S	S
<b>Interior</b>						
Interior light – door operated	S	S	S	S	S	S
Interior light in rear	–	–	–	S	S	S
Map lights	S	S	S	S	S	S
Rubber floor covering in cab	S	S	S	–	–	–
Carpet floor covering in cab	–	–	–	S	S	S
Tailored carpet mats	–	–	A	A	A	S
Tailored rubber mats	A	A	A	A	A	A
Storage under front seats	–	–	–	S	S	S

\*Not all devices will be compatible and functionality will vary depending on the device.



## Standard and optional equipment

	Single Cab 4MOTION	Dual Cab 2WD	Dual Cab Core	Dual Cab Trendline	Dual Cab Hghline	Dual Cab Ultimate
<b>Interior</b>						
Centre console with cover and armrest	S	S	S	S	S	S
Leather gearshift knob and handbrake lever	S	S	S	S	S	S
Locking glove compartment	S	S	S	S	S	S
1 x 12V socket – centre console	S	S	S	–	–	–
3 x 12V sockets – dashboard, centre console and in cargo area	–	–	–	S	S	S
Interior grab handles roof line/B-pillar/A-pillar	2/0/1	4/0/1	4/0/1	4/2/1	4/2/1	4/2/1
<b>Comfort</b>						
Electrically adjustable door mirrors with heating function	S	S	S	S	S	S
Cruise control with multifunction display	S	S	S	S	S	S
<b>Instrumentation</b>						
Speedometer and tachometer, electronic odometer and trip meter, digital clock, fuel and coolant indicators, low fuel warning light and fuel gauge.	S	S	S	S	S	S
Multifunction display showing digital speed reading, range to empty, instant litres/100km and average litres/100km plus outside temperature (2WD/4MOTION)	S	S	S	S	S	S
<b>Mechanical</b>						
Electronic differential lock	S	S	S	S	S	S
Mechanical rear differential lock	S	O	S	S	S	S
8-speed Automatic Transmission	O	O	O	O	O	O
Selectable 4MOTION Transmission (Standard with Manual)	S	–	S	S	S	S
Permanent 4MOTION Transmission (Standard with Auto)	(w. Auto)	–	(w. Auto)	(w. Auto)	(w. Auto)	(w. Auto)

S = Standard – = Not Available O = Optional A = Accessory

Note: Not all options are available individually. Please refer to table below for option pack combinations.

<b>Option Packages</b>						
Vision Pack - Light & Sight, Front Fog Lights, Rear bumper with PDC (Cab Chassis models exclude Rear bumper with PDC)	P	–	–	–	–	–
Driver's Pack - Light & Sight, Front Lumbar Support (DC 4x2 / CORE only)	–	P	P	–	–	–
Exterior Pack - Front Fog Lights, Rear Bumper with PDC (not available on Cab Chassis models)	P	P	P	–	–	–
Exterior Pack Plus - 17" Alloy Wheels (DC 4x2 / CORE only) Must be ordered with Exterior Pack	–	P	P	–	–	–
Tech Pack - RNS315 Sat Nav, Rear-view Camera (TRENDLINE only)	–	P	P	–	–	–
Leather Pack Incl. Winter Pack (HIGHLINE only)	–	–	–	P	P	–
Alcantara Pack Incl. Winter Pack (HIGHLINE only)	–	–	–	–	P	–

\* Some parts of the leather appointed seat upholstery will contain man made material. Chassis models may vary in equipment due to the deletion of rear tray, lights and other associated equipment.

## Paint colours

The bodywork is galvanised first to give your Volkswagen optimum protection against mechanical and chemical influences. Only then is the paint applied in several layers and left to harden. The result is a scratch-resistant, hard finish for the top coat.

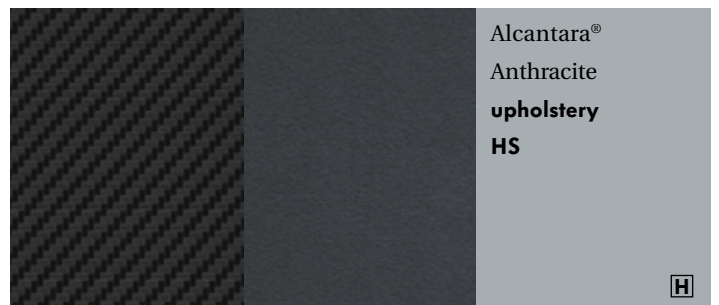
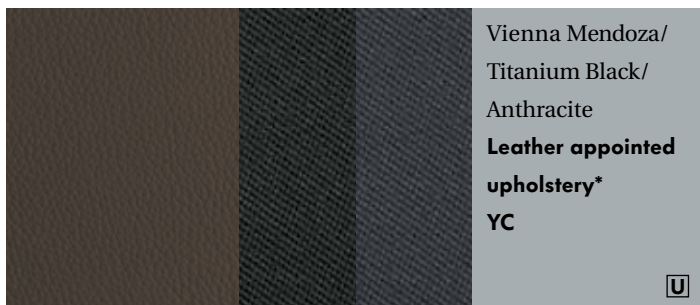
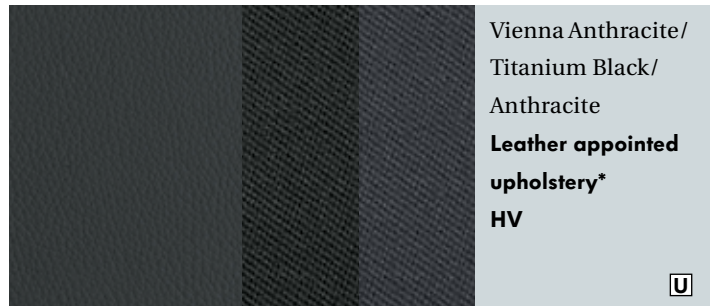
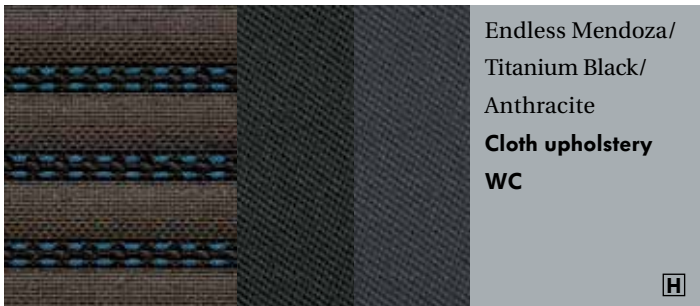
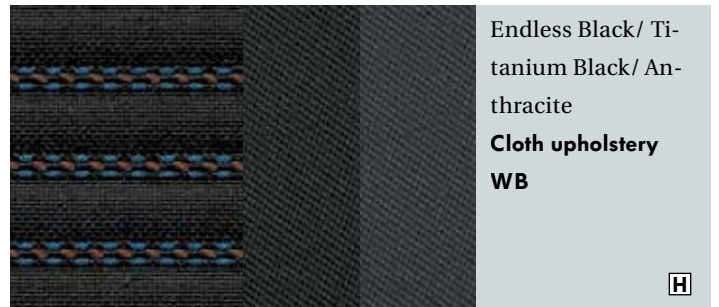
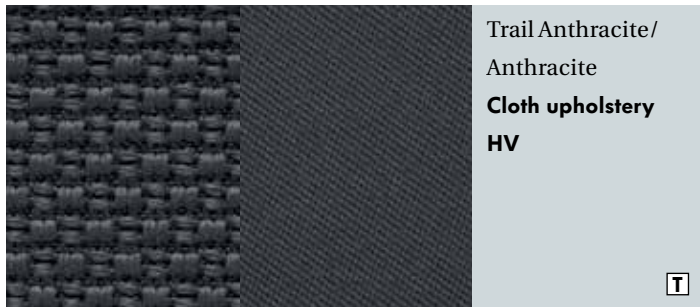


standard     
  S Amarok Single Cab     
  C Amarok Core     
  H Highline  
 option or accessory     
  A Amarok     
  T Trendline     
  U Ultimate

Please note that Metallic and Pearl Effect paint are optional at extra cost. The print process does not allow for exact reproduction of the exterior or the upholstery colours. Please contact your Volkswagen dealer for further information on colours and upholstery combinations.

## Trim

High-quality, robust materials and skilled workmanship are essential in the manufacture of hard-wearing seat upholstery. The colours and patterns for the upholstery are painstakingly matched to the interior trim and paint finishes.



\*Leather appointed seat upholstery has a combination of genuine and artificial leather, but are not wholly leather. The print process does not allow for exact reproduction of the exterior or the upholstery colours. Please contact your Volkswagen dealer for further information on colours and upholstery combinations.

## Owning a Volkswagen

### Volkswagen New Vehicle Warranty

Volkswagen Amarok is covered by a 3-year/unlimited kilometre manufacturer's warranty, which includes Volkswagen Assist (24 hour roadside assistance). Amarok is also covered by a 3-year paintwork and 6-year anti-corrosion perforation warranty. For further information regarding this New Vehicle Warranty, including pricing and terms and conditions, please consult your local Volkswagen dealer or visit [www.volkswagen-commercial.com.au](http://www.volkswagen-commercial.com.au).

### Volkswagen Assist 24 hour roadside assistance

As a valued customer, you can be assured that, wherever you travel within Australia, you will have access to roadside assistance, 24 hours a day, 365 days a year. This is complimentary for the duration of the vehicle's original Volkswagen warranty period. You will receive help in the event of a breakdown or accident and, if required, your vehicle will be mobilised or transported to an Authorised Volkswagen Repair Centre.

### Volkswagen Extended Warranty

Why not continue the confidence of a Volkswagen Warranty by purchasing a Volkswagen Extended Warranty? For further details on this option, please contact your local Volkswagen Dealer.

### Volkswagen Service

Your Authorised Volkswagen Service Centre is part of Volkswagen's global Quality Management System, ensuring Volkswagen Service Centres have factory trained technicians who are equipped with the very latest diagnostic equipment, specialist tooling and Volkswagen Genuine Parts®. An Authorised Volkswagen Service Centre undertakes work in accordance with factory specified guidelines and maintenance schedules.

The Volkswagen Service app is available to download from the Apple® App Store and Google Play® store app. Featuring parking place reminder and timer, Volkswagen roadside assistance, Volkswagen dealer search and the latest tips for services, Volkswagen Genuine Parts® and Accessories. Keeps your Volkswagen running like a Volkswagen.

### Volkswagen Genuine Parts®

Volkswagen Genuine Parts® are designed for your vehicle and approved by Volkswagen, with particular regard to safety. The workmanship, dimensional accuracy and materials used in these parts comply with factory specifications. To ensure safety and reliability, Volkswagen recommends the use of Volkswagen Genuine Parts®. Volkswagen Authorised Dealers offer a 2-year warranty on Genuine Parts® from the date of purchase.



Scan here to download the Volkswagen Service App on your smartphone.

## General information

Bluetooth® is a registered trademark of Bluetooth SIG Inc. Alcantara® is a registered trademark of Alcantara S.p.A.

Volkswagen is distributed by Volkswagen Group Australia Pty Ltd, 24 Muir Road, Chullora, NSW 2190, ABN 14 093 117 876.

Specifications are as planned at December 2015, for model year 2016 and are subject to change without notice or obligation. All information in this brochure is correct at the time of publication, however variations may occur from time to time and Volkswagen, in so far as it is permitted by law to do so, shall not be liable in any way as a result of any reliance by any person on anything contained in this brochure. Authorised Volkswagen dealers will provide up-to-date information on model application, design feature, prices and availability on request. All colours are a general guide only, as the printing process cannot reproduce the actual exterior colour appearance. See your dealer to confirm colour/model availability.

# The Amarok Range

**Model Year 2016**

**December 2015**

**Publication: VWCAMRBROMY16**

**[www.volkswagen-commercial.com.au](http://www.volkswagen-commercial.com.au)**