



Commercial
Vehicles

The Caddy Van

Specifications



Features and Specifications

	SWB Van	Maxi Van	Maxi Crewvan
Safety and Security			
Airbags			
Front airbag for driver and front passenger	●	●	●
Side/head airbags for driver and front passenger	●	●	●
Seat belts			
3-point seat belts with height adjustment and belt tensioners for driver and front passenger	●	●	●
3-point seat belts in 2nd row of seats, outer seats with seat belt tensioners	—	—	●
Seat belt warning light and buzzer for driver and front passenger seats	●	●	●
Brakes and Traction Control			
Multi-Collision Brake (MCB)	●	●	●
Electronic Stabilisation Programme (ESP)	●	●	●
Anti-Lock Braking System (ABS)	●	●	●
Brake Assist (BA)	●	●	●
Traction Control System (TCS)	●	●	●
Electronic Differential Lock (EDL)	●	●	●
Extended Electronic Differential Lock (XDL)	●	●	●
Hill Hold Control	●	●	●
Driver Assistance Technology*			
Driver Fatigue Detection	●	●	●
Rear Park Distance Control, with acoustic warning	●	●	●
Rear view camera system (requires lifting tailgate)	○	○	○
Forward Collision Warning "Front Assist" with City Emergency Braking (City EB)	●	●	●
Adaptive Cruise Control (ACC) ³	○	○	○
Lighting			
Halogen headlights (H4)	●	●	●
Headlight range adjustment	●	●	●
Daytime Running Lights (DRL)	●	●	●
High stop light	●	●	●
Rear fog light	●	●	●
Xenon Headlights and LED Daytime Running Lights	○	○	○
Locking			
Engine immobiliser (electronic)	●	●	●
Central locking system with radio remote control and interior release mechanism	●	●	●
Two (2) remote control folding keys	●	●	●
Head Restraints			
Front safety optimised head restraints, height adjustable	●	●	●
Rear head restraints, height adjustable (3)	—	—	●

*Safety technologies are not a substitute for the driver's responsibility of the vehicle.
³. Available with Driver Assistance Package.

Exterior Equipment / Styling	SWB Van	Maxi Van	Maxi Crewvan
Doors			
Sliding door, left, in load/passenger compartment	●	●	●
Sliding door, right, in load/passenger compartment	○	●	●
Rear wing doors with windows, asymmetrically split	●	●	●
Lifting tailgate with window and rear spoiler	○	○	○
Windows			
Heat-insulating windshield made of laminated glass	●	●	●
Heat-insulating glass (green)	●	●	●
Windscreen wiper intermittent control	●	●	●
Heated rear window(s) with wiper/washer system	●	●	●
Power windows with comfort operation and circuit breaker (front)	●	●	●
Side window (fixed) in sliding door, left	—	○	—
Side window (fixed) in sliding door, right	—	○	—
Side windows (slide opening) in left and right sliding doors	—	—	●
Body Enhancements			
Black bumpers	●	●	●
Body coloured bumpers	—	—	○
Black exterior mirror housings and door handles (without sliding door cover)	●	●	●
Black side protective strips	●	●	●
Black grained radiator grille with 1 decorative chrome molding	●	●	●
Roof rack mounting points (per side)	3	4	4
Trailer hitch preparation	○	○	—
Wheels and Tyres			
15" steel wheel with centre wheel trim - 195/65 R15 91T tyres (SWB Van) 95T XL tyres (Maxi Van)	● (Diesel only)	● (Diesel only)	—
16" steel wheel with centre wheel trim - 205/55 R16 94H tyres	● (Petrol only)	● (Petrol only)	●
4 x 15" alloy wheels - CALOUNDRA - 195/65 R15 91T (SWB Van) 95T XL Maxi Van	○ (Diesel only)	○ (Diesel only)	—
4 x 16" alloy wheels - BENDIGO - 205/55 R16 94H tyres	○	○	—
Steel spare wheel - full size, OE tyre	●	●	●
Tool kit with vehicle jack	●	●	●
Comfort and Convenience			
Air Conditioning			
Air conditioning system, manual	●	●	●
Dust and pollen filter	●	●	●
Cruise Control			
Cruise Control, including speed limiter	●	●	●
Floor Covering			
Rubber floor covering in cab	●	●	●
Rubber floor covering in load/passenger compartment	—	—	●
Plastic floor covering in load area	○	○	—

● Standard ○ Optional Extra — Not available

Comfort and Convenience

In-Car Entertainment and Technology

Composition Colour audio system

5" colour touch screen display, AM/FM radio with phase diversity tuner, CD player (MP3/WMA compatible), AUX and SD card slot, external USB input, and two (2) speakers. Car menu with convenience and service settings. Includes display for park distance control (if fitted).

Composition Media audio system with App-Connect[^]

6.33" colour touch screen display with proximity sensor, AM/FM radio, CD player (MP3/WMA compatible), SD card slot, external AUX and USB inputs, and four (4) speakers. Car menu with convenience and service settings. Includes display for park distance control (if fitted). App-Connect USB interface for Apple CarPlay[®], Android Auto™ and Mirror Link[®] in front centre console.

Discover Media audio and satellite navigation system with App-Connect[^]

6.33" colour touch screen display with proximity sensor, AM/FM radio, CD player (MP3/WMA compatible), 2 x SD card slots for music and navigation data, external AUX and USB inputs, and four (4) speakers. 2D and 3D (bird's eye) map views. Car menu with convenience and service settings. Includes display for park distance control (if fitted). App-Connect USB interface for Apple CarPlay[®], Android Auto™ and Mirror Link[®] in front centre console.

Bluetooth[®] phone connectivity with contacts display and Bluetooth[®] audio streaming, operation via touch screen audio unit or Multi-Function Display

Audio, telephone, cruise control and Multi-Function Display controls mounted on steering wheel

Instrumentation

Speedometer & tachometer, electronic odometer and trip meter, service interval display, fuel and coolant gauges, low fuel warning light, adjustable illumination

Multi-Function Display (MFD Plus) - trip time, trip length, average and current speed, average and current fuel consumption, display until empty and ambient temperature, digital clock, vehicle status, audio, telephone and navigation (if fitted) menus

Interior Lighting

LED Reading lights, front

LED Roof light in load compartment

Load Compartment

Lashing rings for load restraint

Hardboard side trim panels

12-volt socket

Partition (high) without window (removes dimming breakaway interior rear view mirror)

Mirrors

Commercial vehicle exterior mirrors (left: convex, right: aspherical)

Exterior mirrors, power adjustable and heated

Dimming breakaway interior rear view mirror

Power Steering

Servotronic (electro-mechanical speed-sensitive power steering)

SWB Van

Maxi Van

Maxi Crewvan

●

○

○

●

●

●

●

●

●

6

●

●

○

●

●

●

●

●

○

○

●

●

●

●

●

●

8

●

●

○

●

●

●

●

●

○

○

●

●

●

●

●

●

6

●

●

—

●

●

●

●

[^] App-Connect is compatible for selected apps with the latest smartphone versions of iOS and Android

Comfort and Convenience

Seating

	SWB Van	Maxi Van	Maxi Crewvan
Height adjustment for driver's seat	●	●	—
Height adjustment for both front seats	—	—	●
Lumbar support (manually adjustable) for driver's seat	●	●	●
Backrest release for front seat	—	—	●
3-seater bench in 2nd row of seats (folding, folding/tipping, removable)	—	—	●
Cloth seat covering "Austin"	●	●	●
Leatherette seat covering "Mesh"	○	○	○
Grab handles for driver and front passenger	●	●	●

Steering Wheel

3 spoke leather covered flat bottom steering wheel	●	●	●
Audio, telephone, cruise control and Multi-Function Display controls mounted on steering wheel	●	●	●
Steering wheel height and tilt adjustment	●	●	●

Storage

Storage compartment under front seats	●	●	—
Drawers under front seats	—	—	●
Centre console with 4 cup holders (2 front and 2 rear)	●	●	●
Roof shelf above front seats	●	●	●
Front door pockets	●	●	●
Front sunvisors with ticket holder	●	●	●
Illuminated glove compartment with lockable lid	●	●	●
Central upper storage compartment (open)	●	●	●
Open storage compartment above glovebox	●	●	●
Open storage compartment in front of gear lever	●	●	●
Ashtray, portable	●	●	●

Body Builder Items

Stronger Battery and stronger Alternator	○ (Petrol only)	○ (Petrol only)	○ (Petrol only)
Stronger Alternator	○ (Diesel only)	○ (Diesel only)	○ (Diesel only)

*Leatherette consists wholly of artificial leather.

Optional Packages	SWB Van	Maxi Van	Maxi Crewvan
Driver Assistance Package*			
Adaptive Cruise Control (ACC) - with "Stop & Go" function for DSG only Front fog lights with static cornering function Light and Vision system: auto dimming inside rear view mirror; automatic headlight activation with separate daytime running lights, "Leaving Home" and manual "Coming Home" function; rain sensing wipers	○	○	○
Interior Comfort Package			
Light and Vision system: auto dimming inside rear view mirror; automatic headlight activation with separate daytime running lights, "Leaving Home" and manual "Coming Home" function; rain sensing wipers Height adjustment for front passenger's seat (standard for Crewvan) Lumbar support (manually adjustable) for front passenger's seat Vanity mirrors for left and right sun visors 12-volt socket in dashboard	○	○	○
Appearance Package			
Body coloured bumpers Body coloured side protective strips Body coloured exterior mirror housings, door handles, and sliding door cover (black rear door handles)	○	○	—
Window Package (for rear wing doors)			
Side windows (fixed) at front of load area Side windows (fixed) at rear of load area	○	○	—
Window Package (including Lifting Tailgate)			
Lifting tailgate with window and spoiler Side windows (fixed) at front of load area Side windows (fixed) at rear of load area	○	○	—
Window Package			
Side windows (fixed) at rear of load area	—	—	○

*Safety technologies are not a substitute for the driver's responsibility of the vehicle.

Technical Specifications

Engine	1.4 litre TSI BlueMotion Technology		2.0 litre TDI BlueMotion Technology
Type	4 cylinder inline turbocharged direct injection petrol with engine Start/Stop system^		4 cylinder Common Rail/exhaust-gas turbocharger with Stop/Start system^
Max power, kW @ rpm	92 @ 4,800		75 @ 2,900 – 4,000
Max torque, Nm @ rpm	220 @ 1,500-3,500		250 @ 1,300 – 2,800
Cubic capacity, litres/cc	1,395		1,968
Bore/stroke, mm	74.5 x 80		81.0 x 95.5
Compression ratio	10.5 : 1		16.2:1
Fuel type (recommended)	Premium unleaded 95 RON minimum		Diesel, min. 51 CZ in accordance with DIN 590
Transmission	6 speed manual	7 Speed Direct Shift Gearbox (DSG) with sport mode and Tiptronic function	6 Speed Dual Clutch Gearbox (DSG) with sport mode and Tiptronic function
Driven wheels	Front Wheel Drive	Front Wheel Drive	Front Wheel Drive
Fuel consumption**			
Combined, L/100km	6.2	6.0	5.3
Urban, L/100km	7.6	7.0	6.0
Extra Urban, L/100km	5.3	5.4	4.9
Fuel tank capacity, L	55	55	55
Running Gear			
Suspension			
Front Axle	MacPherson strut with double wishbone and anti-roll bar		
Rear Axle	Rigid rear axle on leaf springs with load-dependent damper and anti-roll bar		
Reinforced Rear Suspension	Optionally available. Recommended for vehicles which regularly carry over 180kg (SWB) / 200kg (Maxi Van)		
Steering	Electro-mechanical power-assisted rack & pinion steering		
Brake systems	Anti-lock Braking System (ABS) with Electronic Brake-Pressure Distribution (EBD), Brake Assist and Electronic Stabilisation Program (ESP). Brake Energy Recuperation.		
Brakes	Power assisted Hydraulic	Power assisted Hydraulic	Power assisted Hydraulic
Front	Ventilated Disc (288mm)	Ventilated Disc (312mm)	Ventilated Disc (312mm)
Rear	Disc (272mm)	Disc (272mm)	Disc (272mm)

^The Start/Stop system is designed to reduce fuel consumption and CO₂ emissions. It achieves this by automatically switching off the engine while the vehicle is stationary and then starting it again automatically when the driver wants to drive off. There are certain operating conditions where the Start/Stop system is deactivated (e.g. during engine warm-up), please refer to the owner's manual for full operating information.

** Fuel consumption figures according to ADR 81/02 derived from laboratory testing. Factors including but not limited to driving style, road and traffic conditions, environmental influences, vehicle condition and accessories fitted, will in practice in the real world lead to figures which generally differ from those advertised. Advertised figures are meant for comparison amongst vehicles only.

Weights and capacities

	SWB Van	SWB Van	Maxi Van	Maxi Van	Maxi Van	Maxi Crewvan	Maxi Crewvan	Maxi Crewvan
	TSI220 DSG	TDI250 DSG	TSI220 Manual	TSI220 DSG	TDI250 DSG	TSI220 Manual	TSI220 DSG	TDI250 DSG
Weights								
Gross Vehicle Weight (GVM), kg	2,095	2,141	2,227	2,255	2,326	2,222	2,249	2,329
Unladen Mass ¹ , kg	1,322	1,401	1,385	1,415	1,493	1,494	1,524	1,610
Payload ² maximum, kg	773	740	842	840	833	728	725	719
Front axle load limit, kg	1,050	1,100	1,050	1,050	1,175	1,150	1,150	1,200
Rear axle load limit, kg	1,230	1,230	1,300	1,300	1,300	1,250	1,250	1,230
Roof Load (kg)	100	100	100	100	100	100	100	100
Towing Capacity, kg								
Braked [‡]	1,300	1,400	1,300	1,300	1,400	—	—	—
Unbraked	630	700	630	630	700	—	—	—
Towbar Load Limit, kg	100	100	100	100	100	—	—	—
Exterior Dimensions								
Wheelbase (mm)	2,682	2,682	3,006	3,006	3,006	3,006	3,006	3,006
Vehicle Length (mm)	4,408	4,408	4,878	4,878	4,878	4,878	4,878	4,878
Vehicle Width (mm) excluding mirrors	1,773	1,793	1,793	1,793	1,793	1,793	1,793	1,793
Vehicle Width (mm) including mirrors	2,065	2,065	2,065	2,065	2,065	2,065	2,065	2,065
Vehicle Height (mm)	1,823	1,823	1,836	1,836	1,836	1,831	1,831	1,831
Front Overhang (mm)	879	879	879	879	879	879	879	879
Rear Overhang (mm)	847	847	993	993	993	993	993	993
Ground Clearance (mm)	172	175	187	187	175	187	187	187
Slope Angle – Front (degrees)	17.1	13.2	16.7	16.7	16.7	15.9	15.9	15.9
Slope Angle – Rear (degrees)	17.3	18.1	14.8	14.8	14.8	15.3	15.3	15.3
Ramp Angle (degrees)	14.0	12.3	12.1	12.1	12.1	12.1	12.1	12.1
Turning Circle (m)	11.1	11.1	12.2	12.2	12.2	12.2	12.2	12.2
Interior								
Seating capacity	2	2	2			5 (2 + 3)		
Cargo Volume (L) – behind 1st row	3,200	3,200	4,200			4,130		
Cargo Volume (L) – 2nd row folded forward	—	—	—			3,950		
Cargo Volume (L) – behind 2nd row	—	—	—			1,650		
Load Compartment Length (mm) – behind 1st row	1,779	1,779	2,249			2,250		
Load Compartment Length (mm) – 2nd row folded forward	—	—	—			1,823		
Load Compartment Length (mm) – behind 2nd row	—	—	—			1,566		
Load Compartment Width (mm) – maximum	1,556	1,556	1,532			1,190		
Load Compartment Width (mm) – at wheel arches	1,170	1,170	1,168			1,168		
Load Compartment Height (mm)	1,244	1,244	1,259			1,240		
Sliding Door Width (mm)	701	701	701			701		
Sliding Door Height (mm)	1,097	1,097	1,092			1,084		
Tailgate Width (mm)	1,183	1,183	1,183			1,183		
Tailgate Height (mm)	1,134	1,134	1,134			1,134		
Load Sill Height (mm)	577	547	588			581		

* Please note, Volkswagen Group Australia does not endorse or will not be held liable for any claim, loss or damage arising from the use or fitment of electronic trailer brakes.

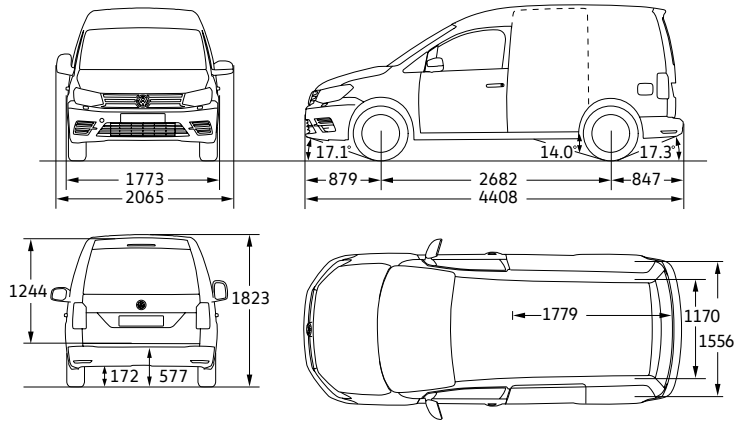
● Standard ○ Optional Extra — Not available

1. The Unladen Mass (UM) includes 10L of fuel, vehicle fluids and no occupants. Figures quoted are for base model vehicles only. 2. Payload figures determined by subtracting 'Unladen Weight' from total 'Gross Vehicle Mass' (GVM). A vehicle's final payload, given the different configurations, can only be determined by weighing the individual vehicle and comparing to the known GVM. Figures quoted are for base model vehicles only.

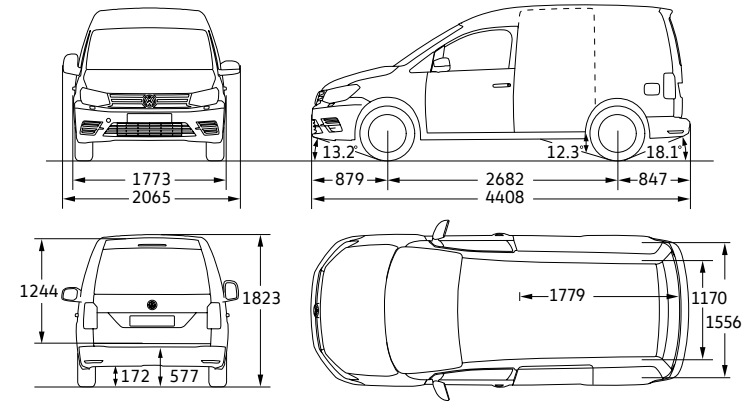
Dimensions

All dimensions shown in mm.

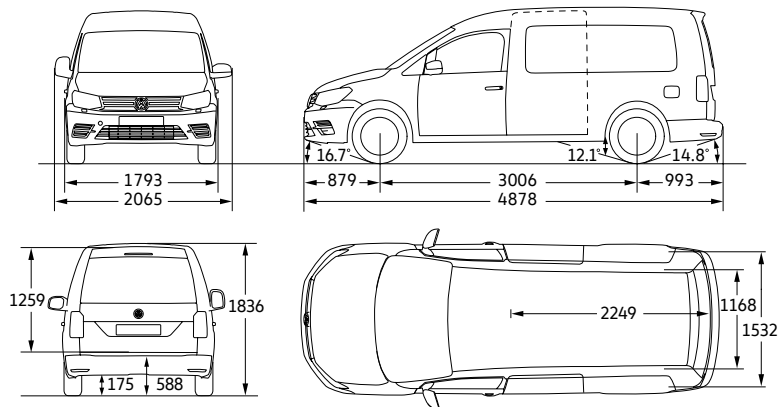
Caddy SWB Van - Petrol (TSI)



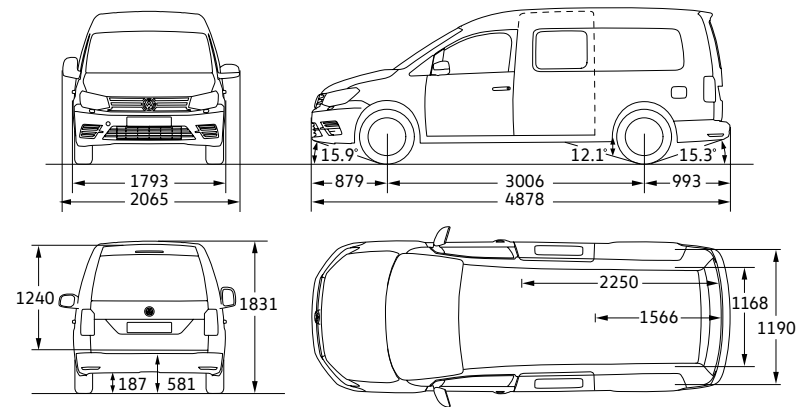
Caddy SWB Van - Diesel (TDI)



Caddy Maxi Van



Caddy Maxi Crewvan



Wheels



15" alloy wheel - CALOUNDRA.
Optional for Caddy Van and Maxi Van TDI Diesel



16" alloy wheel - BENDIGO.
Optional for Caddy Van and Maxi Van

Solid paint finishes



Candy White | Solid paint finish | B4B4



Pure Grey | Solid paint finish | J2J2



Cherry Red | Solid paint finish | 4B4B



Luminous Orange | Solid paint finish | E3E3

Metallic and Pearlescent finishes



Reflex Silver | Metallic paint finish | 8E8E



Mojave Beige | Metallic paint finish | 1B1B



Indium Grey | Metallic paint finish | X3X3



Chestnut Brown | Metallic paint finish | H4H4



Deep Black Pearl | Metallic paint finish | 2T2T



Acapulco Blue | Metallic paint finish | 2W2W



Starlight Blue | Metallic paint finish | 3S3S



Bamboo Garden Green | Metallic paint finish | 3T3T

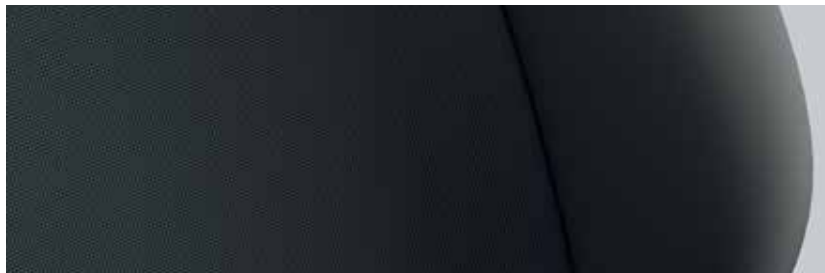


Sandstorm Yellow | Metallic paint finish | 9U9U

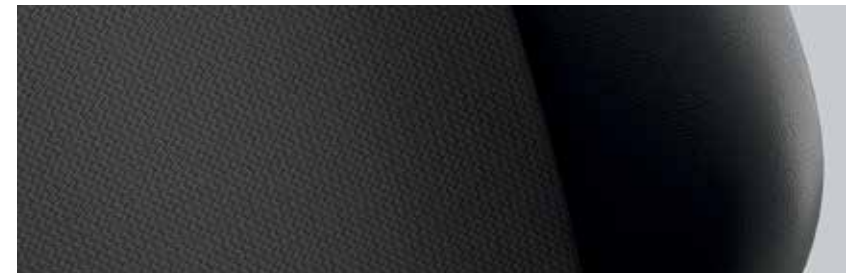


Fortana Red | Metallic paint finish | 1919

Seat upholstery



Austin | Cloth seat upholstery | Titanium Black



Mesh | Leatherette seat upholstery* | Titanium Black | Optionally available

Please note that Metallic and Pearl Effect paint are optional at extra cost. The print process does not allow for exact reproduction of the exterior or the upholstery colours. Please contact your Volkswagen Dealer for further information on colours and upholstery combinations.
*Leatherette consists wholly of artificial leather.

Volkswagen Choice: Protecting your investment.

Volkswagen Choice

Guaranteed Future Value

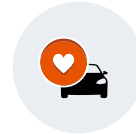
We're out to prove that there still are some guarantees in life. We've developed Volkswagen Choice[^] - a flexible finance solution that provides you with the assurance of knowing exactly what the minimum value of your vehicle will be down the track. With Volkswagen Choice[^], you can enjoy your car without worrying about what the future will bring, providing peace of mind.

At the end of your term,
you can simply choose to:



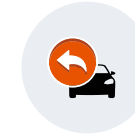
Trade-in

Your existing vehicle and purchase a new Volkswagen under the Volkswagen Choice Program



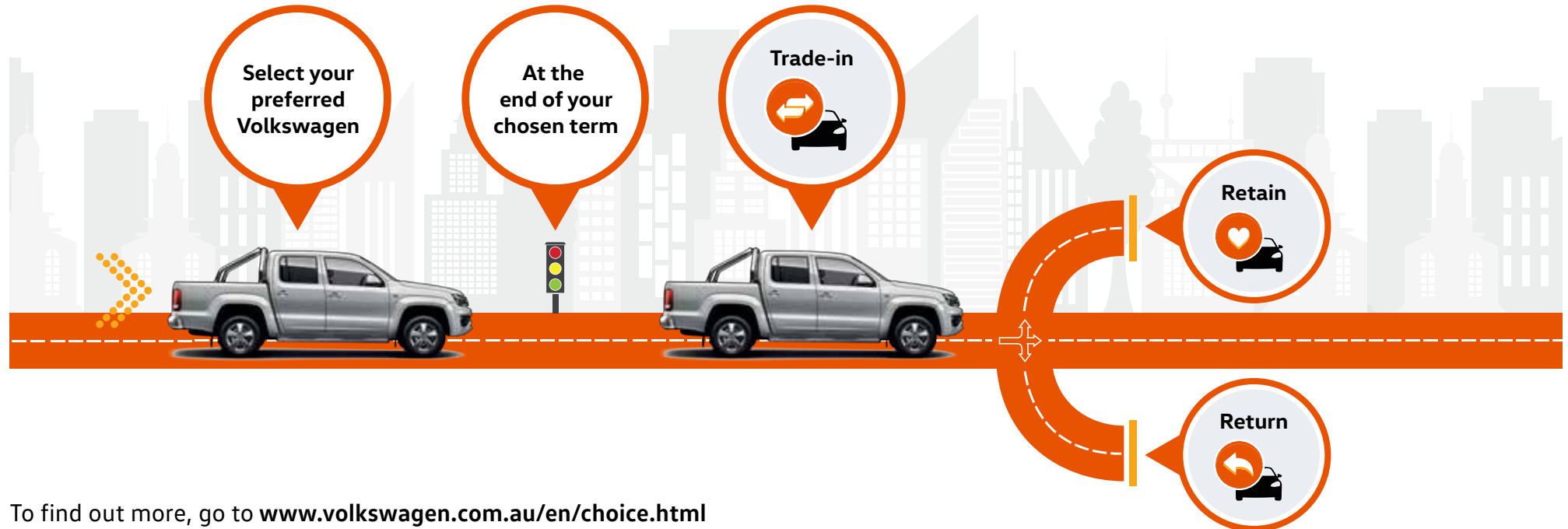
Retain

Make an offer to purchase/refinance the vehicle



Return

Hand the vehicle back and receive the Guaranteed Future Value[#]



To find out more, go to www.volkswagen.com.au/en/choice.html

[^]The Volkswagen Choice Program consists of an option to require Volkswagen Financial Services to purchase your vehicle at the end of your Volkswagen Financial Services Chattel Mortgage or Consumer Loan for a value (known as the Guaranteed Future Value) determined by Volkswagen Financial Services and set out in your contract. [#]The Guaranteed Future Value is not a representation by Volkswagen Financial Services as to the likely market value of your vehicle as at the end of your contract. The option is available on new and demonstrator Volkswagen vehicles for selected models only. Please verify with your dealership vehicles that are eligible for the program. If vehicles are not returned in an acceptable condition, as defined in the terms and conditions or exceed kilometre restrictions the Guaranteed Future Value will be reduced. See the Volkswagen Choice Fair Wear and Tear Guide for more information on the required conditions and circumstances. The cost of the Volkswagen Choice Program is incorporated into the applicable interest rate. Please read the full terms and conditions. Please consider whether these products and services are appropriate for your circumstances. Before acting on any of the information on this page, please seek independent financial and tax advice. Full terms and conditions are available upon application. Available only to approved applicants of Volkswagen Financial Services. Subject to credit assessment. Fees and charges apply. Fleet, government, rental buyers, hire car and chauffeur companies are excluded. Available at participating Volkswagen dealers. Volkswagen Financial Services is a trading name of Volkswagen Financial Services Australia Pty Limited ABN 20 097 071 460. Australian Credit Licence 389344

General information

Owning a Volkswagen

Volkswagen New Vehicle Warranty

Every new Volkswagen vehicle is covered by a three-year unlimited kilometre manufacturer's warranty, which includes Volkswagen Assist (24-hour roadside assistance). Every new Volkswagen vehicle is also covered by a 3 year paintwork and 12-year anticorrosion perforation warranty. For further information regarding this New Vehicle Warranty, including pricing and terms and conditions, please consult your local Volkswagen dealer or visit www.volkswagen.com.au

Volkswagen Assist – 24-Hour Roadside Assistance

As a valued customer, you can be assured that wherever you travel within Australia, you will have access to roadside assistance, 24 hours a day, 365 days a year. This is complimentary for the duration of the vehicle's original Volkswagen warranty period. You will receive help in the event of a breakdown or accident and, if required, your vehicle will be mobilised or transported to an Authorised Volkswagen Workshop. As a Volkswagen owner you will also have access to the additional benefits of accommodation and car rental if your vehicle cannot be mobilised within 24 hours, when you are over 100km away from home.

Volkswagen Genuine Parts®

Volkswagen Genuine Parts® are designed for your vehicle and approved by Volkswagen, with particular regard to safety. The workmanship, dimensional accuracy and materials used in these parts comply with factory specifications. To ensure safety and reliability, Volkswagen recommends the use of Volkswagen Genuine Parts®. Volkswagen Authorised Dealers offer a two-year unlimited kilometre warranty on Genuine Parts from the date of purchase.

Volkswagen Financial Services

Buying, borrowing or leasing, Volkswagen Financial Services will certainly make you think differently about financing and insuring your new Volkswagen. Committed to meeting the needs of Volkswagen drivers across Australia, we offer a range of leasing, financing and insurance products, each with distinct advantages depending on your specific circumstances. We can tailor a solution to suit your individual requirements, so you can rest assured that there will be no surprises along the way. Speak to your local participating authorised Volkswagen Dealer today to put together a solution that best suits your lifestyle.

Volkswagen Choice Guaranteed Future Value^

Volkswagen Choice is a finance program available to approved applicants of Volkswagen Financial Services only, which provides Volkswagen owners protection around your Volkswagen's future value#, whilst offering a simple monthly instalment financing option. Enjoy the peace of mind of knowing the minimum value you can receive for your vehicle at the end of your contracted term. You can choose to either trade-in, return or retain your Volkswagen – it's your choice. Learn more about how to protect your investment by visiting www.volkswagen.com.au/en/choice.html today.

Volkswagen Assured Service

What you can expect as standard when servicing through our authorised Volkswagen dealer network is an expert team, trained by Volkswagen utilising specialist Volkswagen diagnostic equipment ensuring they're able to cater for all of your Volkswagen's servicing and repair needs. They also have access to the full Volkswagen Genuine Parts catalogue making sure any part replaced during a service or repair is replaced with a Volkswagen Genuine Part. What's more, your Volkswagen will be returned in immaculate condition, cleaned and vacuumed. Add these together and you can rest assured there's no better place to keep your Volkswagen running like a Volkswagen.

^The Volkswagen Choice Program consists of an option to require Volkswagen Financial Services to purchase your vehicle at the end of your Volkswagen Financial Services Chattel Mortgage, Consumer Loan or Hire Purchase for a value (known as the Guaranteed Future Value) determined by Volkswagen Financial Services and set out in your contract. The Guaranteed Future Value is not a representation by Volkswagen Financial Services as to the likely market value of your vehicle as at the end of your contract. The option is available on new and demonstrator Volkswagen vehicles for selected models only. Please verify with your dealership vehicles that are eligible for the program. #If vehicles are not returned in an acceptable condition, as defined in the terms and conditions or exceed kilometre restrictions the Guaranteed Future Value will be reduced. See the Volkswagen Choice Fair Wear and Tear Guide for more information on the required conditions and circumstances. The cost of the Volkswagen Choice Program is incorporated into the applicable interest rate. Please read the full terms and conditions. Please consider whether these products and services are appropriate for your circumstances. Before acting on any of the information on this page, please seek independent financial and tax advice. Full terms and conditions are available upon application. Available only to approved applicants of Volkswagen Financial Services. Subject to credit assessment. Fees and charges apply. Fleet, government, rental buyers, hire car and chauffeur companies are excluded. Available at participating Volkswagen dealers. Volkswagen Financial Services is a trading name of Volkswagen Financial Services Australia Pty Limited ABN 20 097 071 460. Australian Credit Licence 389344.

The Caddy Van

Volkswagen Group Australia Pty Ltd
24 Muir Road Chullora NSW 2190
ABN 14 093 117 876

August 2017
www.volkswagen.com.au

Publication: VWCCADVANSPECMY18

Your Volkswagen dealer.

Important information

Apple CarPlay® is a registered trademark of Apple Inc. Android Auto™ is a registered trademark of Google Inc. MirrorLink® is a registered trademark of Car Connectivity Consortium LLC. Bluetooth® is a registered trademark of Bluetooth SIG Inc.

Volkswagen is distributed by Volkswagen Group Australia Pty Ltd, 24 Muir Road, Chullora, NSW 2190, ABN 14 093 117 876. Specifications are as planned at August 2017, for Model Year 18 and are subject to change without notice or obligation. All information in this brochure is correct at the time of publication, however variations may occur from time to time and Volkswagen, in so far as it is permitted by law to do so, shall not be liable in any way as a result of any reliance by any person on anything contained in this brochure. Authorised Volkswagen dealers will provide up-to-date information on model application, design feature, prices and availability on request. All colours are a general guide only, as the printing process cannot reproduce the actual exterior colour appearance. See your dealer to confirm colour/model availability.