

Actros

3236/54 and 3241/54 Specifications



Mercedes-Benz

Engine.

Black = Specifications for BOTH 3236 and 3241.
 Red= Indicates 3236 specifications only.
 Green= Indicates 3241 specifications only.

- Mercedes-Benz • OM 501 LA turbocharged/intercooled V6.
- Four stroke diesel with direct injection system.
- Telligent® engine management system.
- Maximum Power • 265 kW (360 hp) @ 1,800 RPM.*
- 300 kW (408 hp) @ 1,800 RPM.*
- Maximum Torque • 1,850 Nm (1,365 lb/ft) @ 1,080 RPM.*
- 2,000 Nm (1,475 lb/ft) @ 1,080 RPM.*
- *To EEC 80/1269 Conditions.
- Emission Level • Euro 111.
- Bore • 130 mm.
- Stroke • 150 mm.
- Capacity • 11,946 cc .
- Fuel Injection • Single unit pumps with solenoid-valve-controlled injection.
- Compression Ratio • 17.25 : 1.
- Turbocharger • Single Turbocharger.
- Air Compressor • Single cylinder air compressor.
- 545/min at 12 bar b/pressure.
- Air Cleaner • Paper element with pre-filter.
- Cooling • 40 Litres coolant and Visco Fan.
- Oil Capacity • 44 Litres.
- Fuel Filter • Primary Fuel Filter.
- Insect Screen • Radiator Insect Screen.

Electronic Management Systems.

- Mercedes-Benz • Engine Control.
- Telligent® • Drive Control (cruise and road speed).
- Braking and traction control.
- Gearshift system.
- Maintenance system (scheduling and diagnostics).
- Telligent® systems are interfaced through CAN (Control Area Network) databus.

Clutch.

- Type • Self adjusting Single dry plate.
- Operation • Hydraulic with air assistance.
- Diameter • 1 X 430 mm.

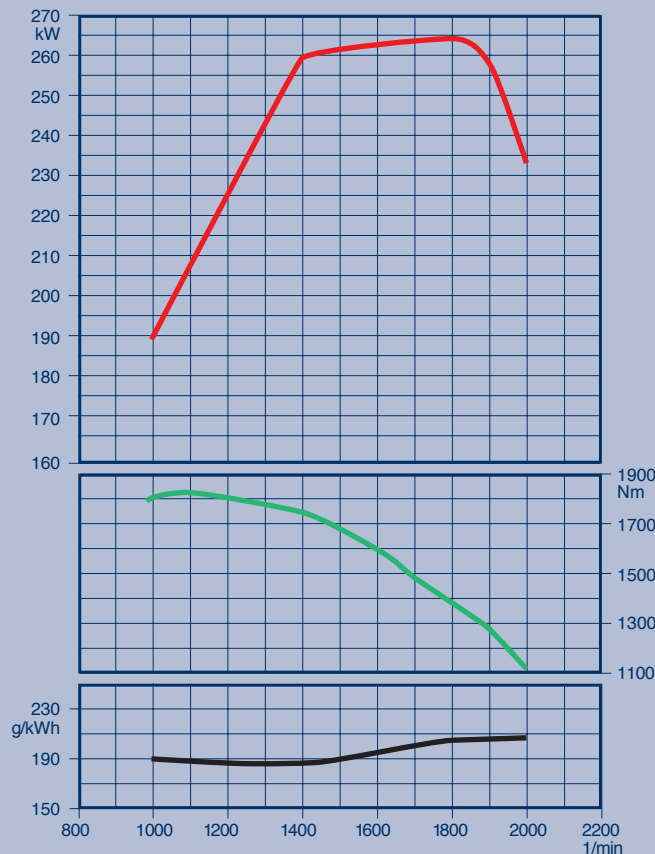
Gearbox.

- Mercedes-Benz • 16 Speed Synchronmesh with Electronic Gearshift 11.
- Gear Shift • Gear Shift control mounted directly on seat arm rest.

	3236/54		3241/54	
Ratios	G 210 - 16/14,2 - 0.83		G 240 - 16/11,7 - 0.69	
	1st 14.19	9th 3.22	1st 11.72	9th 2.67
	2nd 11.72	10th 2.66	2nd 9.75	10th 2.22
	3rd 9.58	11th 2.18	3rd 7.92	11th 1.80
	4th 7.92	12th 1.80	4th 6.58	12th 1.50
	5th 6.50	13th 1.48	5th 5.29	13th 1.20
	6th 5.37	14th 1.22	6th 4.40	14th 1.00
	7th 4.40	15th 1.00	7th 3.64	15th 0.83
	8th 3.64	16th 0.83	8th 3.02	16th 0.69
	1st Reverse 12.90		1st Reverse 10.67	
	2nd Reverse 10.66		2nd Reverse 8.86	

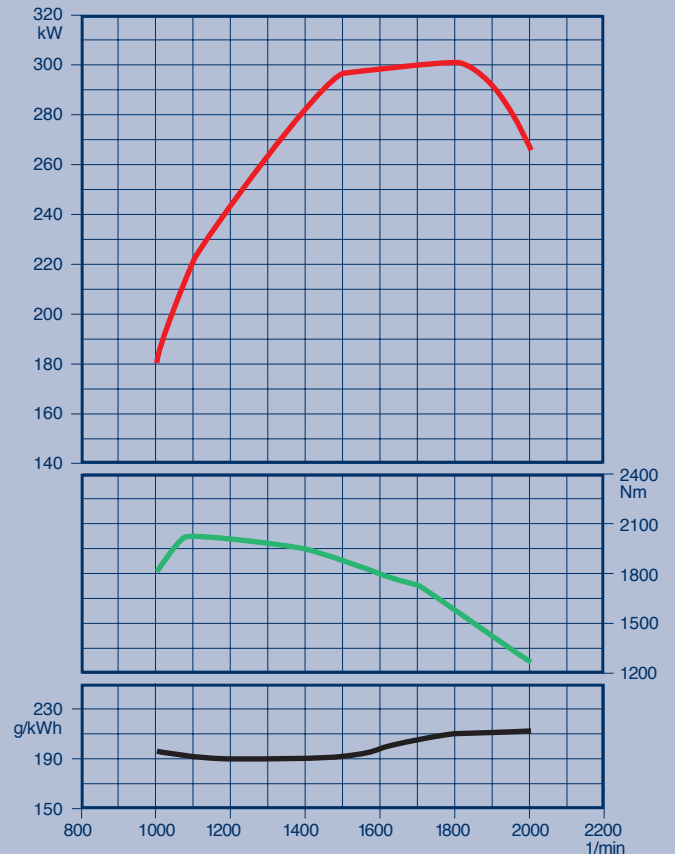
Performance Curves - 3236.

- = Maximum Power Curve (kW)
- = Maximum Torque (Nm)
- = Fuel Consumption (g/kWh)



Performance Curves - 3241.

- = Maximum Power Curve (kW)
- = Maximum Torque (Nm)
- = Fuel Consumption (g/kWh)



Power Take Off.

- Options
- Transmission Mounted PTO and dash control.
 - Engine PTO. Rear Engine Live Drive PTO with Flange & Flexible Coupling.
 - PTO Transmission Independant
 - PSM module for PTO Interface with engine Telligent® Systems.

Axles.

- Front
- Mercedes-Benz VL 4/53 DC + VL 4/55 D
 - Capacity 2 x 7,500 kg.
- Rear
- Mercedes-Benz H7 planetary hub reduction.
 - Capacity 2 x 13,000 kg.
 - 233 mm Crown Wheel and Pinion.
 - Full Differential Locks.
- Ratio
- 3236/54 3.714 : 1.
3241/54 4.333 : 1.

Performance. *Calculated - Standard specification.*

	3236/54		3241/54	
Geared Speed	112 KPH @ 1,800 RPM		116 KPH @ 1,800 RPM	
	3.714 Ratio @ 1,603 RPM		4.333 Ratio @ 1,554 RPM	
	= 100 Km /hr.		= 100 Km /hr.	

Note:- Road speed limited to 100 Km/hr.

Maximum	3236/54		3241/54	
Gradeability	1st Gear	37.8%	1st Gear	41.0%
@ 45,000 kg	Top gear	1.4%	Top gear	1.5%
	@70km/hr	1.8%	@70km/hr	2.3%
	Startability	30.3%	Startability	30.3%

Cabin.

- Mercedes-Benz
- Forward Control Medium Cabin.
 - Comfort Cabin Spring Suspension.
- Option
- Sleeper Bunk for Medium Cabin.
- Option
- Forward Control Slim Cabin.
- Construction and Finish
- All steel monocoque design safety cabin with maximum structural strength and stiffness with self supporting lightweight all-steel shell.
 - Panels galvanized as required.
 - Zinc Phosphating, Cathodic dip priming, Hydro Filler and Top Coat.
 - Internal floor and underbody sealant.
 - All cavities waxed filled.
 - Cabin fully lined and insulated.
- Cabin Safety
- Cabin is built to comply with the ECE R29 safety requirements.
- Option
- Driver's airbag and seat belt pre-tensioner.
- Cabin Suspension
- Medium Cabin:-
Front - Spring Struts and Torsion Bar
Rear - Spring Strut.
 - Vibration Frequency - 1.8 Hz
- Option
- Cabin Suspension for Rough Terrain (6 Hz).

- Cabin Access
- Three wide non-skid steps forward of front axle.

- Access steps illuminated for night safety.
- Doors open to angle of 95 Degrees with left and right grab handles.
- Easy access through-out spacious cabin interior.

- Emergency Access
- Both doors automatically unlock in the event of an accident, ensuring access by Rescue Services.

- Service Access
- Daily maintenance access through wide opening front panel/grille.
 - Cabin tilt to 70 Degrees for maintenance.
 - Engine mounted Start/Stop button.

- Sun Visors
- Exterior Transparent Sun Visor.
 - Two Interior visors.
 - Drivers Side Lateral Sun Visor.

- Seating
- Driver - Fully adjustable air suspended Grammer seat with head rest. Features integrated mounted seat belt with retractor.
 - Adjustable: Fore/Aft, Backrest, Height, Seat Cushion, and Damping.
 - Fast Lowering.
 - Pneumatic Lumbar Support.
 - Passenger - Fold Up Velour Seat.
 - Adjustable height seat belt with retractor.

- Interior lighting
- Two interior lights, door activated.
Driver and passenger reading lights.

- Steering Column
- Steering column adjustable in rake and height.
 - Pneumatic Lock.

- Mirrors
- LH & RH Mirrors Electrically Adjusted.
 - LH & RH main mirrors have automatic on/off heat operation.
 - LH Spotter mirror and Down mirror.
 - Manual over-ride switch for Heated Mirrors.

- Visibility
- Laminated windscreen with excellent all-round view.
 - Narrow A-pillars reduce blind spots.
 - Wide angle mirrors, large flat mirrors and down mirrors to give the driver an excellent side and rear vision.
 - Three speed wipers with integrated spray system in the wiper arms.
 - Intermittent Wipers variably adjustable
 - Tinted Glass Windows.
 - Rear Cabin Windows
 - Left Hand and Right Hand Windows Electrically operated.

- Heating and Ventilation
- The heating and ventilation system is powered by a four speed blower with an effective pollen and micro-dust filter.
 - All heating, cooling and air conditioning controlled by rotary switches.
 - Full Air Conditioning with charcoal filter and automatic climate control.

- The windscreen has eight de-misting vents, and each door has de-misting vents.
 - System Automatically switches between Fresh & Re-Circulated Air.
 - Adjustable roof mounted opening air vent.
 - Pollen Filter.
- Trim
- Standard dash trim.
 - Hard wearing fabrics for seats and door inserts.
 - Wear resistant flooring and tunnel coverings.
 - Impact areas are safety formed with non-flammable and non-splintering energy absorbing trim, especially in front of the drivers and passengers knees.
 - Roof and rear/side walls lined with wear resistant fabric.
- Option
- Woodgrain dash trim, instruments and controls.
- Instruments and Controls
- Speedometer - electronic.
 - Tachometer with optimum operating range Illuminated in green.
 - Water temperature gauge.
 - Fuel gauge.
 - Oil Pressure gauge.
 - Brake line pressures (Dual circuits).
 - Warning Buzzer - Engine Speed and Coolant Temperature.
 - Gear selection indicator.
 - Differential lock/Power Divider Lock/PTO display panel.
 - Telligent® Maintenance System control panel.
 - Telligent® information display
 - Engine Oil Level
 - Brake Wear Indicator
 - Clutch Wear
 - Air Cleaner Indicator
 - Power Steering Oil Level
 - Air Vessel Condensation
 - Critical Operating State
 - Ambient Temperature Gauge
 - Fuel Consumption Readout.
- Indicator Light Panel for
- Warning Stop Lamp
 - Main Beam
 - Parking Brake
 - Exhaust Brake
 - Cabin Lock
 - Charging Current
 - ASR (Traction Control)
 - ABS (Anti-Lock Brakes)

- Stalk operated (LH) horn (Electric /Air), windscreen washers/wipers, headlight dip/main beam/flash turn indicators, Intermittant Wipe Adjustment.
 - Stalk operated (RH) engine brake, Tempo-Mat (Cruise control), TempoSet (Maximum Speed) and engine idle speed.
 - Electric window and mirror switches.
 - Three rotary switches for heating, ventilation and air conditioning.
- CB Radio
- Provision for customer supplied CB Radio (Including Antenna).
- Warning Systems
- Telligent® Engine Management system monitors coolant level and temperature, oil level, temperature and pressure, with automatic shut-down and/or de-powering system.
- Document/Drinks Storage
- Dashboard and Door pockets.
 - Overhead storage lockers.
 - Rear Cabin Wall.
- Spray Suppression
- Front Mudguard fitted with anti-spray Suppression.

Brakes.

- Service
- Telligent® Brake System.
 - Disc brakes
 - 430 mm dia. Discs on each axle.
 - Dual brake circuits
 - Electro - pneumatic braking.
 - 2 Piston floating caliper brakes.
 - Automatic adjustment.
 - ABS - Anti-Lock Brakes with traction control.
 - Single air compressor - 545 Litres /min at 12 bar back pressure.
 - Compressed Air Dryer.
- Roll Back Prevention
- Roll Back Prevention for starting on inclines.
- Parking
- Spring loaded parking brakes on both rear axles.
- Engine Brake
- Active Engine Brake (A.E.B.) with constantly open throttle.

Suspension.

- Front axles
- 3 leaf parabolic springs with stabilizer bars.
 - Shock absorbers.
 - Load Sharing Front Axle Suspension.
 - Capacity 2 x 7,500 Kg.
- Rear axle
- Mercedes-Benz Six Rod, Single Point Suspension With Parabolic Springs.
 - Maintenance free molecular rubber mounts.
 - Capacity 2 x 10,000 Kg.
 - Full differential locks.
 - Telligent® Traction Control-Automatic traction control.
- Option
- Mercedes-Benz 6 rod with Road Friendly Certification.
 - Capacity 20,000 Kg.

Steering.

- Mercedes-Benz
- LS8 recirculating ball with integral power steering.
 - Inner Wheel Cut of 48 degrees.
- Steering wheel
- Soft feel 450 mm steering wheel.
 - Fully adjustable steering column.
 - 65 mm vertically.
 - 15 to 42 degrees inclination.
 - 8 Degrees when Stationary.
- Turning Circle
- 21.9 Meters wall to wall.
 - 20.2 Meters kerb to kerb.

Wheels and Tyres.

- Tyre
- Steer - Michelin XZE-2 295/80 R 22.5" (4).
 - Drive - Michelin XDE-2 11 R 22.5" (8).
- Wheels
- 10 stud Steel wheels - 8.25" x 22.5" (13).

Chassis Frame.

- Main Rail
- 289 mm Web x 70 mm flange x 9.5 mm thick.
 - High grade steel E 500 TM) protected by Cathodic dip priming.
 - Rear rail width 763 mm.
 - Holes patterns every 50 mm for add on parts and components.
 - All major suspension and cross members are Huck-bolted.
 - Front cross member tow pin centre mounted.
 - Rear and front cross members bolted.
 - Rear under-ride protection guard (EEC).
- Wheelbase
- 5,400 mm (Mean 6,075 mm).
- Reverse Buzzer
- Rear Chassis mounted Reversing Buzzer.

Fuel Tanks.

- Capacity
- Standard 1 x 385 litre Rectangular Aluminium RHS.
 - Primary Fuel Filter with Heated Water Separator.

Electrical System.

- Voltage
- 24 Volts.
- Batteries
- Twin 12 Volt 165 AMP hour.
- Alternator
- 28 volt / 80 AMP.
 - Option • 28 volt / 100 AMP.
- Turn Signals
- 24V, 3 = 2 X 21W.
 - Option • 12 Volt Cabin Power source mounted in center console.
- Road Lights
- Clear Lens Halogen headlights - hinged for easy access.
 - Range:- 115 Meters, Illumination Spread:- 34 Degrees.
- Fuses
- Automatic fuses - dash board mounted.
- Trailer Equipment
- Trailer Air Light lines to rear of chassis rails.

Maintenance System.

- Telligent® Maintenance System.
- The Telligent® maintenance system constantly monitors the following items, and advises when the next servicing or maintenance is required:- Oil Level, Coolant Level, Windscreen Washer fluid level, Disc Brake lining wear, Air filter condition, Oil Pressure and temperature, Coolant temperature, Charge air pressure and temperature, Fuel temperature, Ambient temperature, Gear changes, hours of operation, and the number of hot/cold starts.

Kerb Weights.

Calculated for Medium cab/chassis at standard specification but no fuel, tools or spare wheel/tyre.

Medium Cabin

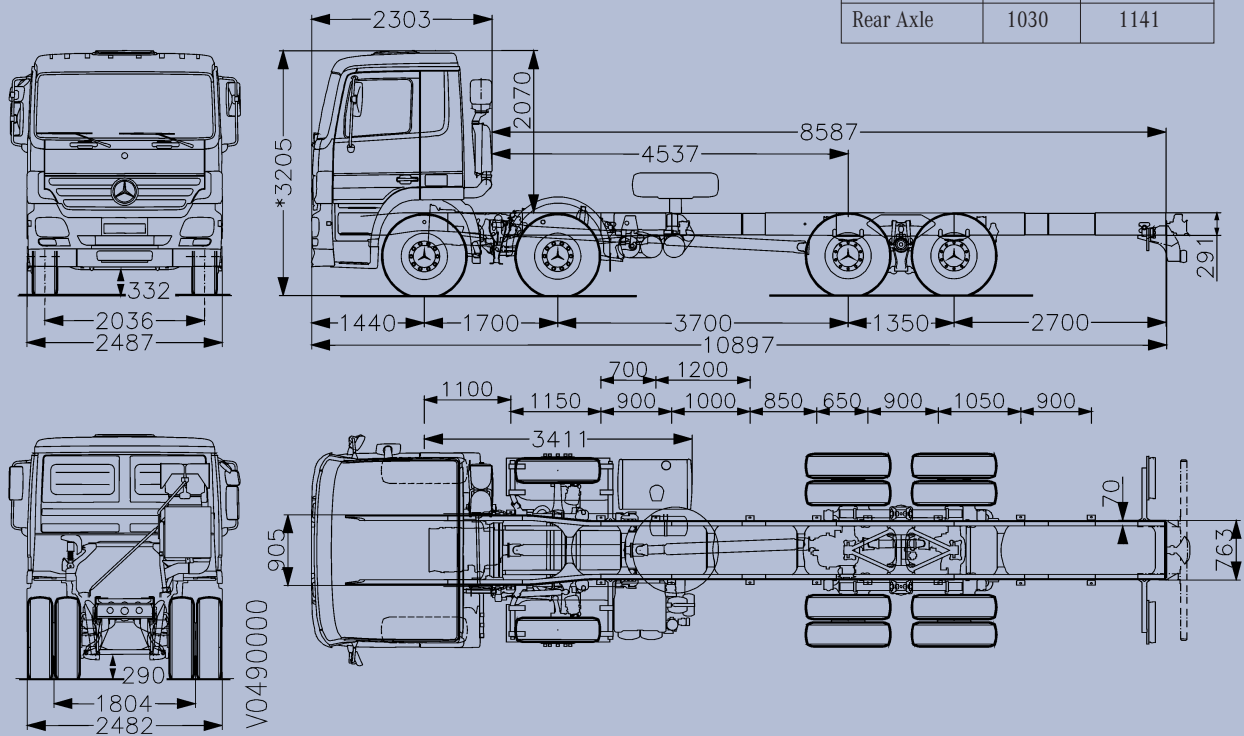
Front axle	approx 6,376Kg
Rear axle	approx 3,360Kg
Total	approx 9,736Kg

Maximum Weights.

G.V.M.	26,000 kg.
G.C.M.	45,000 kg.

Dimensions -

Frame Height (mm)		
	LADEN	UNLADEN
Front Axle	1039	1125
Rear Axle	1030	1141



Note: Drawings are general arrangement drawings only. Contact MBAu-ETS for detail if required.

Warranty Explanation

DaimlerChrysler Australia/Pacific Pty. Ltd. offers a 2 year/unlimited km driveline Warranty on transmission, propshafts and driving axles. For full Warranty details and limitations contact your authorised Mercedes-Benz Dealer.

Specifications and information referred to herein were correct at the time of publication. Some of the equipment depicted either on vehicle illustrations or separately may be non-standard or optional at extra cost.

DaimlerChrysler Australia/Pacific Pty. Ltd. reserves the right to discontinue or modify any vehicle or optional equipment at any time without prior notice to meet any requirement of a manufacturing or commercial nature which it may deem appropriate. Consult your authorised Mercedes-Benz Dealer for the latest details on specifications, options, prices and availability.

Authorised dealer

To speak to your nearest authorised Mercedes-Benz dealer about the new Actros call 1300 66 22 30.

DaimlerChrysler Australia/Pacific Pty. Ltd.

ACN 004 411 410

Lexia Place, (P.O. Box 4214) Mulgrave, Victoria 3170.

Telephone: (03) 9566 9317. Facsimile: (03) 9562 0397.

www.mercedes-benz.com.au

The  and the words Mercedes-Benz are registered trademarks of DaimlerChrysler AG, Germany.



Mercedes-Benz