

BMW X3



X3 2.5si
X3 3.0si
X3 3.0d

**The Ultimate
Driving Machine**





The BMW X3 – for life the way you live it.

High style that always rises to the occasion.





D MTT 4313



X3



Your space. Your style.

■ Standard equipment

□ Optional equipment



□ **BMW light-alloy wheels V-spoke 206**, with mixed tyres, 8 J x 18" rims with 235/50 R 18 tyres at the front, 9 J x 18" rims with 255/45 R 18 tyres at the rear, with locking nuts.



□ **BMW light-alloy wheels star-spoke 143**, 8 J x 18" with 235/50 R 18 tyres, with locking nuts.



■ **Roof railing:** matched harmoniously to the car's design, the roof railing provides the foundation for BMW's multifunctional roof support unit for effortless and safe transportation of luggage, bicycles, surfboards, etc.



□ **Panorama glass roof.** Generous size (0.65 m²) with speed-dependent wind deflector, electric, slide and lift control via tip keys, electric sun shade (for sun protection) as well as trap release and comfort opening/closing function.

■ Standard equipment

□ Optional equipment



□ **M leather steering wheel:** with a thicker rim for improved grip. Included with M Sport Package.



□ **Navigation system Professional** with 16:9 screen and TV, guiding you quickly to your destination. The voice computer provides driving directions and additional information (e.g. hotels) by arrows or a map.



□ **HiFi system Professional** with powerful amplifier output, 7 band equaliser and ten loudspeakers, including two subwoofers, provides excellent sound. In addition the system allows you to reproduce the acoustics of various interiors.



□ **Comfort seat** for driver and passenger, with draped pockets, electronic seat height and backrest angle adjustment, length adjustment and tilt control, as well as memory function for driver seat and wing mirror (automatic mirror down-tilt). Additional electr. adjusting functions: variable shoulder supports and headrest.



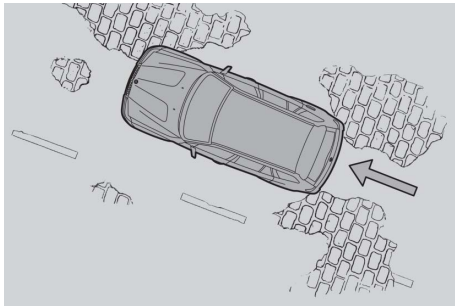
□ **Sports seats** for driver and front passenger, raised side sections provide optimum side support; seat height, backrest and seat angle, thigh support as well as lengthwise position are all adjustable to suit the individual.



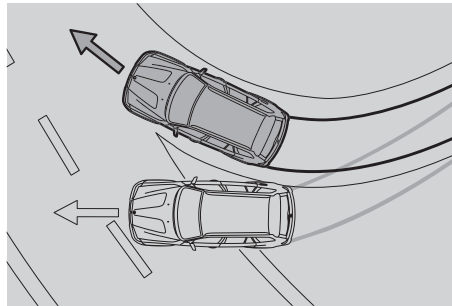
■ **Storage compartment package** with front armrest, luggage nets behind the front seats, under centre console on the passenger side and on the left side of the luggage compartment; reversible luggage compartment floor and parcel rails with four fastening eyelets (illustrated).

■ Standard equipment

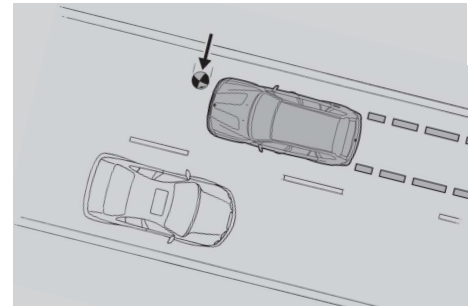
□ Optional equipment



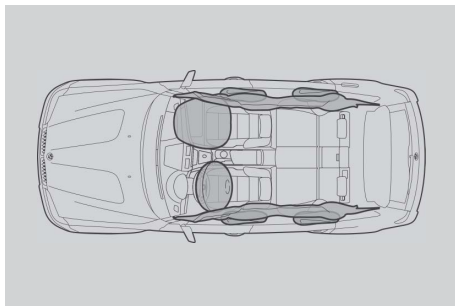
■ **Automatic Differential Brake (ADB-X)** emulates the function of a differential lock by means of direct intervention on a specific wheel. As soon as a wheel is about to go into a spin, ADB-X brakes it automatically until it regains traction and propulsion. With DSC active, ADB-X is supplemented by a regulation of engine performance; without DSC the function is set for maximum acceleration.



■ **Dynamic Stability Control (DSC)** with additional functions, including ADB-X, DTC, DBC and HDC: DSC can detect any risk of swerving early on and stabilises the car within fractions of a second. The traction mode sub-function (DTC) allows an increased wheel slip, to optimise forward thrust in any driving situation and so facilitate more nimble driving.



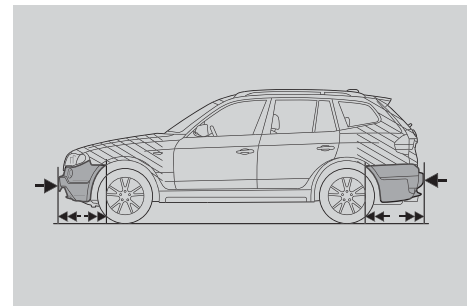
■ **Dynamic Brake Control (DBC)** is a braking aid, which in the case of emergency braking immediately builds up maximum brake pressure even with inadequate pedal pressure, significantly cutting down the overall braking distance.



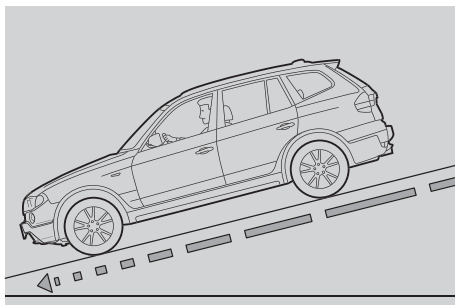
Airbags and all other safety components are perfectly matched to one another, meaning that in a collision only the airbag actually required is activated. Eight airbags offer superior safety on demand: driver and front passenger airbags, front-to-rear head airbags as well as side airbags in the front and rear.



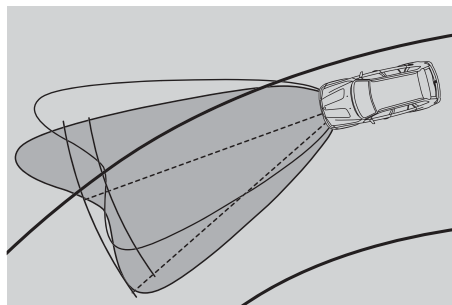
■ **BMW restraint system for the driver and front passenger** consists of a combination of the three-point seat belt, belt tensioner and belt force governor. For optimum restraint in a collision.



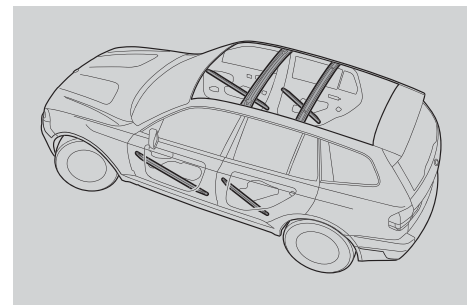
■ **Bumpers** with regenerating aluminium impact absorbers at the front (steel at the rear) absorb impacts without damage at speeds of up to 4 km/h; while special deformation zones at the front and rear absorb impacts at up to 15 km/h without any damage to the body.



■ **Hill Descent Control (HDC)** enables your BMW to take even steep downhill gradients safely and reliably, automatically reducing the velocity of the car to walking speed without the driver having to brake. HDC can also be controlled via buttons in the multifunction steering wheel.



□ **Adaptive Headlights system** consists of electromechanically operated Xenon headlights, which swivel from side to side and thus optimally illuminate a bend the second the driver steers into it – for increased safety when driving at night or when visibility is poor. Sensors register current bend angle, yaw rate and vehicle speed. The headlights then adapt automatically to the determined bend conditions.



■ **Door reinforcements** offer optimum occupant protection in a side collision. Safety bars (reinforcement profiles) are built into the doors – for supreme door stiffness.

■ Standard equipment □ Optional equipment

Safety	2.5si	3.0si	3.0d
Adaptive Headlights (only in combination with Xenon headlights)	□	□	□
Airbags:			
– Driver and front passenger airbags, seat occupation detector for front passenger airbag	■	■	■
– Front-to-rear head airbags	■	■	■
– Side airbags for driver and front passenger	■	■	■
– Side airbags for rear passengers	■	■	■
Alarm system with remote control	□	□	□
Anti-lock brake system (ABS)	■	■	■
Automatic Differential Brake (ADB-X)	■	■	■
Brake-Force Display	■	■	■
Brakes:			
– Disc brakes in the front, inner-vented	■	■	■
– Disc brakes in the rear, outer-vented	■	■	■
– Raised third brake light integrated into roof spoiler	■	■	■
Car/Key Memory	■	■	■
Central locking with electronic immobiliser, crash sensor; fuel tank filler flap integrated in central locking as well as remote control	■	■	■
Dynamic Stability Control (DSC, DTC incl DBC) with additional functions	■	■	■
Emergency boot lock release	■	■	■
Flat Tyre Indicator	■	■	■
Foglamps with free-form reflector, incl heated exterior mirrors	■	■	■
Headlight washer system	□	□	□
High-beam and low-beam free-form headlights	■	■	■
Hill Descent Control (HDC)	■	■	■
Park Distance Control (PDC) , front and rear	■	■	■
Rain sensor incl automatic driving lights control	■	■	■
Safety battery terminal clamp	■	■	■
Safety belts:			
– Ergonomic belt system in the rear with three-point belts on all seats, with integrated belt catch	■	■	■
– Inertia-reel seat belts in the front with pyrotechnical belt latch tensioner and belt force governor	■	■	■
Safety bodyshell:			
– Bumpers with aluminium impact absorbers in the front and steel impact absorbers in the rear, fully regenerating from impacts of up to 4 km/h, deformation units at the front absorbing impacts of up to 15 km/h.	■	■	■
– Integrated side impact protection in the doors	■	■	■
Spare wheel for emergencies	■	■	■
Warning triangle and first-aid kit	■	■	■
Xenon headlights for low and high beam , incl automatic headlight range control	□	□	□

Standard equipment
 Optional equipment
 — Not available

Engine	2.5si	3.0si	3.0d
6-cylinder in-line diesel engine with four-valve technology	—	—	■
6-cylinder in-line petrol engine with four-valve technology	■	■	—
Common Rail technology	—	—	■
Cylinder-specific knock control	■	■	—
Diesel particle filter	—	—	■
Digital Diesel Electronics (DDE)	—	—	■
Digital Motor Electronics (DME)	■	■	—
Double-VANOS	■	■	—
Emission standard EU4	■	■	■
Exhaust tailpipes in stainless steel (twin pipes on 2.5si, 3.0si and 3.0d)	■	■	■
Intake Manifold with variable resonance induction system	■	■	—
Intercooler	—	—	■
Light-alloy engine block and cylinder head	■	■	—
Magnesium alloy crankcase	■	■	—
On-board diagnosis	■	■	■
Valve play compensation, hydraulic	■	■	■
Valvetronic	■	■	—

Transmission/Suspension	2.5si	3.0si	3.0d
6-speed automatic transmission with Steptronic	□	■	■
6-speed manual gearbox	■	—	—
Anti-roll bar front and rear	■	■	■
Central-arm rear axle	■	■	■
Double-joint spring strut front axle	■	■	■
Power steering	■	■	■
Servotronic	□	□	□
Sports suspension without vehicle lowering	□	□	□
xDrive (all-wheel drive system with variable torque distribution)	■	■	■

Interior features	2.5si	3.0si	3.0d
Armrest in the front, foldable	■	■	■
Automatic air conditioning (incl AAR and solar sensor)	■	■	■
Centre armrest in the rear (incl two cupholders and storage compartment) and integrated head rest	■	■	■
Climate comfort windscreen	□	□	□
Courtesy lights, front centre	■	■	■
Courtesy lights package (illuminated vanity mirrors, reading lights in the front and rear as well as footwell lights in the front)	■	■	■
Courtesy lights with automatic function and soft on/off dimming	■	■	■

Standard equipment
 Optional equipment
ACC Accessory fitment
NCO No Cost Option

Interior features	2.5si	3.0si	3.0d
Cupholders , front and rear (two each)	■	■	■
Digital clock	■	■	■
Floor mats in velour	ACC	ACC	ACC
Follow-Me-Home function	■	■	■
Footwell lights , front	■	■	■
Glove compartment , lockable and illuminated	■	■	■
Heat-insulating glass, green , windscreen and side windows	■	■	■
Illumination of centre console	■	■	■
Instrument panel with round speedometer and rpm dials , fuel gauge and coolant temperature gauge	■	■	■
Interior mirror with automatic anti-glare function, incl courtesy lights package	■	■	■
Interior trim:			
– Brushed Aluminium, fine-grain	NCO	NCO	NCO
– Fine-wood trim Ash grain	NCO	NCO	NCO
– Fine-wood trim Poplar grain, light	NCO	NCO	NCO
– Fine-wood trim Poplar grain, grey	NCO	NCO	NCO
– Titanium light	■	■	■
“Lights-on” warning	■	■	■
Load area cover	■	■	■
Luggage compartment light in the tailgate	■	■	■
Luggage compartment lights left/right	■	■	■
Luggage compartment partition net	■	■	■
Luggage compartment with textile lining , load capacity 480 to 1,560 litres	■	■	■
Mapocket in door trim panel, front and rear	■	■	■
Navigation system:			
– Business, with LC display, DVD-compatible, incl Radio BMW Business (without audio player)	<input type="checkbox"/>	<input type="checkbox"/>	<input type="checkbox"/>
– Professional with 16:9 colour screen, DVD-compatible, incl Radio BMW Business CD with MP3 decoder including TV tuner for analogue and digital (DVB-T) reception	<input type="checkbox"/>	<input type="checkbox"/>	<input type="checkbox"/>
On-board computer (incl Check Control)	■	■	■
Panorama glass roof , electric, with slide and lift function	<input type="checkbox"/>	<input type="checkbox"/>	<input type="checkbox"/>
Power sockets (12 V) at rear of centre console and in luggage compartment	■	■	■
Radio / Audio:			
– AUX-IN connection	■	■	■
– 6-disc CD changer, in centre console, incl MP3 decoder	ACC	ACC	ACC
– HiFi loudspeaker system	<input type="checkbox"/>	<input type="checkbox"/>	<input type="checkbox"/>
– HiFi system Professional	<input type="checkbox"/>	<input type="checkbox"/>	<input type="checkbox"/>
– Radio BMW Business CD, incl MP3 decoder	■	■	■
Seats/seat comfort:			
– Standard seats, manual seat adjustment	■	■	■
– Electric seat adjustment, with memory function for driver's seat	<input type="checkbox"/>	<input type="checkbox"/>	<input type="checkbox"/>
– Lumbar support for driver and front passenger	<input type="checkbox"/>	<input type="checkbox"/>	<input type="checkbox"/>
– Rear seat bench, foldable and 60:40 dividable	■	■	■
– Seat heating for driver and passenger	<input type="checkbox"/>	<input type="checkbox"/>	<input type="checkbox"/>
– Seat heating for rear seats	<input type="checkbox"/>	<input type="checkbox"/>	<input type="checkbox"/>
– Sports seats for driver and passenger	<input type="checkbox"/>	<input type="checkbox"/>	<input type="checkbox"/>
– Comfort seats for driver and passenger	<input type="checkbox"/>	<input type="checkbox"/>	<input type="checkbox"/>

■ Standard equipment □ Optional equipment

Interior features	2.5si	3.0si	3.0d
Ski bag	■	■	■
Sockets rear in centre console and luggage compartment	■	■	■
Steering wheels:			
– 3-spoke leather steering wheel, gear lever knob and handbrake lever grip in leather	■	■	■
– Leather sports steering wheel, incl multifunction	□	□	□
– M leather steering wheel (only with M Sport Package)	□	□	□
– Multifunction for steering wheel incl cruise control	■	■	■
– Steering column adjustment, manual with vertical and horizontal function	■	■	■
– Steering wheel heating	□	□	□
Storage compartment in centre armrest in the rear	■	■	■
Storage compartment in centre console at the front, in dashboard (not in combination with navigation system Professional), as well as all doors	■	■	■
Storage compartment in luggage compartment trim right	■	■	■
Storage compartment package (incl front armrest; luggage nets on the backs of the front seats, below centre console [passenger's side] and on the left side of the luggage compartment; reversible luggage compartment floor; parcel rails with four fastening eyelets on luggage compartment floor)	■	■	■
Telephone:			
– Preparation for mobile phone with Bluetooth	■	■	■
Tools under storage floor	■	■	■
Upholstery:			
– Nevada leather	■	■	■
Vanity mirror with slide covers for driver and front passenger	■	■	■
Window lifts, electric , incl open/close fingertip control, front and rear	■	■	■

Standard equipment
 Optional equipment
 — Not available

Exterior features	2.5si	3.0si	3.0d
Aluminium running boards (not with M Sport Package)	□	□	□
Bumpers in body colour	■	■	■
Chrome-line (chromed kidney grille slats and lower window recess finishers)	■	■	■
Exterior mirrors , heated, with automatic anti-dazzle function	□	□	□
Exterior mirrors in body colour, electrically adjustable, aspheric design, heated	■	■	■
Exterior parts in body colour (outside door handles, drip moulding, roof mouldings)	■	■	■
Individual white direction indicator lights	■	■	■
M Sport Package (incl such features as M aerodynamic kit, M sport suspension, light-alloy wheels double-spoke 192 M with mixed tyres, sport seats for driver and passenger, M leather steering wheel, Individual high-gloss Satin Chrome, roofliner in Anthracite, M door sills)	□	□	□
Metallic paintwork	□	□	□
Model designation, deletion (no extra charge)	□	□	□
Ornamental front grille with chrome surround	■	■	■
Rear window wiper	■	■	■
Roof railing	■	■	■
Roof spoiler in body colour	■	■	■
Rustproofing , with partial hot galvanisation, phosphating and cathodic dip bath, preservation of hollow cavities, underfloor protection	■	■	■
Tailgate with low loading sill	■	■	■
Wheels:			
– Light-alloy wheels star-spoke 204, 17"	■	—	—
– Light-alloy wheels double-spoke 112, 17"	□	■	■
– Light-alloy wheels double-spoke 205, 18"	□	□	□
– Light-alloy wheels star-spoke 143, 18"	□	□	□
– Light-alloy wheels V-Spoke 206 with mixed tyres, 18"	□	□	□
– M light-alloy wheels Y-Spoke 191 M with mixed tyres, 19"	□	□	□
Windscreen with green shade band	■	■	■

All optional equipment listed in this catalogue is factory-installed. For additional requests see the extensive catalogue of accessories at your BMW Dealer.

Technical data

Weight		2.5si	3.0si	3.0d
Kerb Weight ¹	kg	1730 [1755]	1765	1810
Max. permissible	kg	2260 [2300]	2300	2355
Permitted load	kg	530 [545]	535	545
Permitted axle load, front/rear	kg	1100/1260	1150/1260	1150/1260
Permitted roof load	kg	75	75	75
Permitted trailer load, unbraked ²	kg	720	720	750
Permitted trailer load, braked, max 12% gradient ²	kg	1800	1800	1800
Permitted trailer load, braked, max 8% gradient ²	kg	1800	1800	1800
Permitted towbar download	kg	158	158	158

Engine³		2.5si	3.0si	3.0d
Cylinders/valves		6/4	6/4	6/4
Capacity	cc	2497	2996	2993
Stroke/bore	mm	78.8/82.0	88.0/85.0	90.0/84.0
Max. output	kW/rpm	160/6500	200/6600	160/4000
	(hp/rpm)	(218/6500)	(272/6600)	(218/4000)
Max. torque	Nm/rpm	250/2750	315/2750	480/1750
Compression ratio	:1	11.0	10.7	17.0

Transmission		2.5si	3.0si	3.0d
Standard transmission ratio	I/II :1	4.35/2.50	4.07/2.37	4.17/2.34
	III/IV :1	1.66/1.23	1.55/1.16	1.52/1.14
	V/VI/R :1	1.0/0.85/3.93	0.85/0.67/3.20	0.87/0.69/3.4
Final drive ratio	:1	3.91	4.44	3.46

Performance		2.5si	3.0si	3.0d
Top speed	km/h	210 [210]	210	210
Acceleration 0–100 km/h	sec	8.5 [8.9]	7.5	7.9
Acceleration 80-120 km/h in 4th/5th gear (with standard transmission)	sec	8.5/10.9	–	–

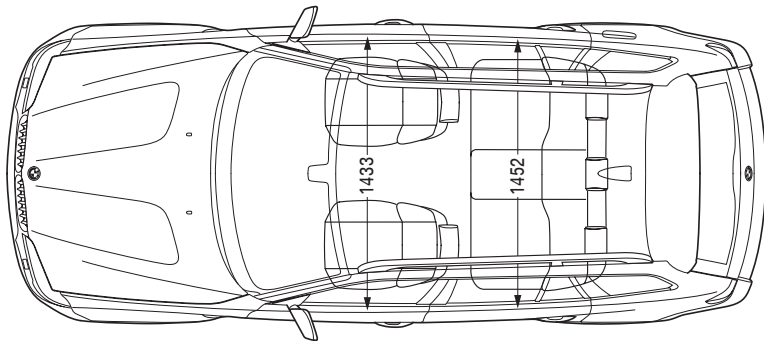
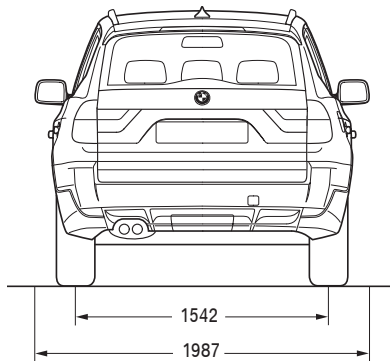
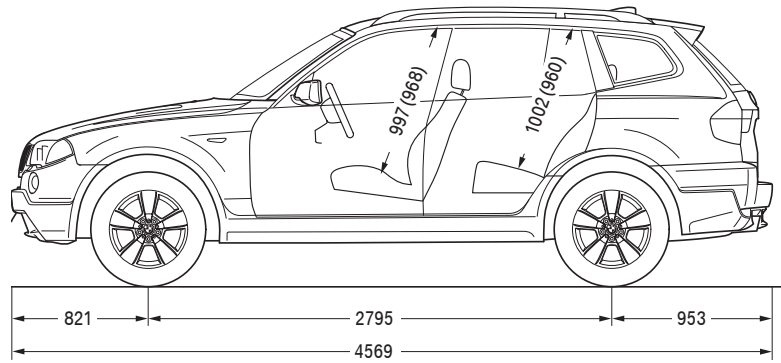
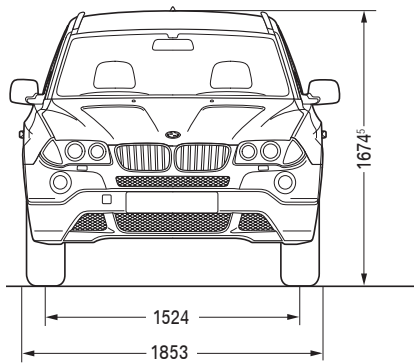
Fuel consumption^{3,4}		2.5si	3.0si	3.0d
City	l/100 km	13.7 [14.1]	14.3	11.2
Highway	l/100 km	7.7 [7.8]	8.0	7.1
Combined	l/100 km	9.9 [10.1]	10.3	8.6
Tank capacity approx.	l	67	67	67

Wheels		2.5si	3.0si	3.0d
Tyre dimensions		235/55 R 17 H	235/55 R 17 H	235/55 R 17 H
Wheel dimensions		8J x 17	8J x 17	8J x 17
Material		light-alloy	light-alloy	light-alloy

An explanation of the footnotes can be found on the following page.

Technical data

Electrical system		2.5si	3.0si	3.0d
Battery capacity	Ah	70	70	90
Alternator output	A	150	150	150
	W	2100	2100	2100



All dimensions in the technical drawings are given in millimetres. Luggage capacity from 480 to 1.560l (VDA measurement).

- ¹ The Kerb Weight or Unladen Mass is the mass of the vehicles in running order unoccupied and unladen with all fluid reservoirs filled to nominal capacity including fuel, and with all standard equipment.
- ² The overall weight of the trailer may not exceed the maximum permissible trailer load plus the maximum permissible towbar download.
- ³ The petrol engine is designed for RON 98 fuel. It may be run on RON 91 fuel with a possible decrease in engine output.
- ⁴ Fuel consumption is determined according to the ECE combined driving cycle in which approx. one third of the distance covered is in city traffic and two thirds are highway driving.
- ⁵ Height incl aerial.

Figures in () in the technical drawing apply to vehicles with Panorama glass roof. Figures in [] apply to models with 6-speed automatic transmission.

The models illustrated in this brochure show the specifications for various markets and not specifically for Australia. In part, they include optional equipment and accessories not fitted as standard. According to the specific requirements of other markets, alterations in models, standard and optional equipment, as described in the text and illustrations, may occur. For precise information, please contact your BMW Dealer. Design and equipment are subject to change or subject to error.

© BMW AG, Munich/Germany. Not to be reproduced wholly or in part without written permission of BMW AG, Munich.