



This Brochure is prepared by Daimler AG and it predominantly reflects the capabilities and performance of vehicles sold in Europe. Some characteristics, capabilities, performance features and optional extras (e.g. towing systems) may not be available or may not apply in Australia or under Australian conditions. The information in this Brochure is therefore indicative, illustrative and provided only for guidance and should not be relied on. To obtain current and accurate information on a vehicle and any options applicable to Australia, contact your local authorised Mercedes-Benz dealer.

Mercedes-Benz



Mercedes-Benz

The B-Class



  **S MB 110**



Mercedes in new dimensions. The B-Class

What is your priority in a new car? Dynamism? Comfort? Or spaciousness, perhaps?

The B-Class saves you from having to opt for just one particular characteristic. It succeeds in combining the advantages of various different vehicle concepts in a Mercedes-Benz of a completely new type: the Compact Sports Tourer. The sporting credentials of this premium car are complemented by exceptional ride comfort, highly generous amounts of space and flexibility to match. All at just 4.27 m in length.

B 200 TURBO with sports package and B 150





Contents

04	Design
06	Exterior
08	Interior
12	Sports package
16	Wheels
18	designo
20	Agility
22	Engines and transmissions
24	Ride comfort
26	Safety
30	Proportions
32	Flexibility
36	Mercedes-Benz accessories
38	Optional extras
43	Standard equipment
44	Paintwork and upholstery
50	Technical data
51	Dimensions
52	“Special Edition” model





B 200 CDI with chrome package

If you want to cause a stir, opt for a practical car

The design of the Compact Sports Tourer

How do you design space? What shape is adaptability? What does comfort look like? The B-Class has new answers to all of these questions: adaptability which looks like power, space which exudes dynamism and comfort with a truly sporty feel.

The bonnet flows down into the broad radiator grille, creating the sporty wedge shape, and this look is underlined by the large air intakes in the bumpers and the design of the headlamps. The side contours also slope forward dynamically and flared wheel arches add a powerful touch.

Combined with extraordinary adaptability, this sporty design soon shows why the B-Class deserves the title Sports Tourer.



The distinctive headlamps set the tone at the front of the B-Class. Available as an option: bi-xenon headlamps with the cornering light and active light functions. They have a refined design and provide enhanced illumination of the road. At the rear the dark-tinted, horizontally split lights are an eye-catching feature. The optional exterior chrome package (standard on the B 200 CDI and B 200 TURBO) adds an elegant touch to the dynamic B-Class. It features various chrome trim parts, including trim strips on the door handles and chrome fog lamp surrounds



Embark on a voyage of discovery without moving a metre

Given the compact exterior dimensions of the B-Class, it's remarkable how generous the interior is – in terms of both space and comfort. The wide choice of colours and seat upholstery means that you can also give it a very individual look. And the materials, such as matt aluminium, are crafted to the high standard you expect to find in a Mercedes-Benz.

The seats are upholstered in “Utrecht” fabric in either orient beige, black or alpaca grey. The upholstery combination ARTICO man-made leather/“Maastricht” fabric (also part of the sports package) is available as an option. You can also opt to upholster your B-Class in sumptuous leather.

To ensure an optimum seating position, the driver's seat is height-adjustable as standard. A height-adjustable front passenger seat forms part of the optional seat comfort package – which also features adjustable-angle seat cushions and lumbar supports on the front seats, the latter helping to prevent signs of fatigue by providing extra support for the back.

B 150 with alpaca grey fabric upholstery







The design and materials on the centre console ensure that it is an eye-catching feature. At the same time, the layout is so clear that the driver is able to concentrate fully on the traffic, which may not be more attractive, but is certainly more important. The chrome-ringed circular instruments are also clearly laid out and attractively designed. The panoramic louvred sunroof provides an unrestricted view of the sky and opens at the touch of a button. Attention to detail is reflected in the glossy chromed door openers and in the fine myrtle wood**

**Optional extra*







B 200 TURBO with sports package

Opt for the sports package and dynamism begins at 0 km/h

A large, oval tailpipe in polished stainless steel (twin tailpipes on B 200 TURBO), sports suspension and 17-inch 10-spoke light-alloy wheels – the B-Class with a sports package is a car that's simply begging to be driven. Even the rear bumper, with its decorative trim strips, is an eye-catching feature. And at the front end the distinctive, 3-louvre design of the silver-coloured radiator grille adds a sporty touch.

The sports package also includes the exterior chrome package. Chrome trim – for example on the radiator grille, on the door handles and on the loading sill – adds a special sparkle to the B-Class.



Inside the B-Class, the full benefits of the sports package are revealed. The seats are upholstered in an ARTICO man-made leather/“Maastricht” fabric combination (pictured left: the optional leather upholstery). The instrument cluster is illuminated in white and the multi-function steering wheel features two aluminium highlights and fine leather trim with a partially perforated design. Adding a sporty finishing touch: the non-slip, studded pedals in brushed stainless steel





From elegant to sporty – the B-Class wheels.

A highlight: the optionally available 18-inch AMG light-alloy wheels, painted in titanium silver (1).

The B 200 TURBO and the B 200 CDI are fitted as standard with 16-inch 5-spoke light-alloy wheels (2). 16-inch 5-twin-spoke light-alloy wheels, painted in titanium silver, are available as an option for all B-Class models (3),

as are chromed 17-inch 5-spoke light-alloy wheels (4). Even sportier: the 17-inch 10-spoke light-alloy wheels which form part of the sports package (5).



2



3



4



5





If you want to give your B-Class a personality, why not your own?

With the designo equipment packages you'll feel truly at home in your B-Class – a sign of just how much scope you have when it comes to individualising the interior.

Four different designo leather/Alcantara combinations are available for the seats, including, for example, two-tone designo alpaca grey upholstery. The trim parts are manufactured from high-quality woods, in designo anthracite poplar or designo brown poplar, each combined with designo black piano lacquer. A combination of the wood of your choice and fine leather can also be found on the designo gearshift lever. And there are high-quality, attractive velour floor mats, edged in designo leather. Further information can be found in our designo brochure.





B 200 TURBO with sports package

If you enjoy a sporty drive,
opt for a comfortable car

The agility of the Compact Sports Tourer

An invigorating driving experience means the B-Class is sure to set pulses racing, but it is equally adept at calming the mind with enviable ride comfort.

The driving pleasure is down to the high-torque engines, the manual transmission with its sportily direct tuning and the sophisticated handling systems.

And ride comfort comes courtesy of the AUTOTRONIC continuously variable automatic transmission and the long wheelbase.



The B-Class in top form: the top-of-the-line model is the B 200 TURBO, recognisable in visual terms by its twin tailpipe and in performance terms by its 142 kW (193 hp) output and 280 Nm torque. There are three other petrol models to choose from: the B 150, the B 170 and the B 200. The diesel models – the B 180 CDI with its 80 kW (109 hp) output and the B 200 CDI with 103 kW (140 hp) – are not only remarkably economical when it comes to consumption; thanks to common-rail technology they also achieve torque figures of up to 250 and 300 Nm. It's amazing how sporty economical driving can be. And the B-Class is impressively green too: the diesel models are fitted as standard with a particulate filter which reduces particulate emissions by up to 95 %.

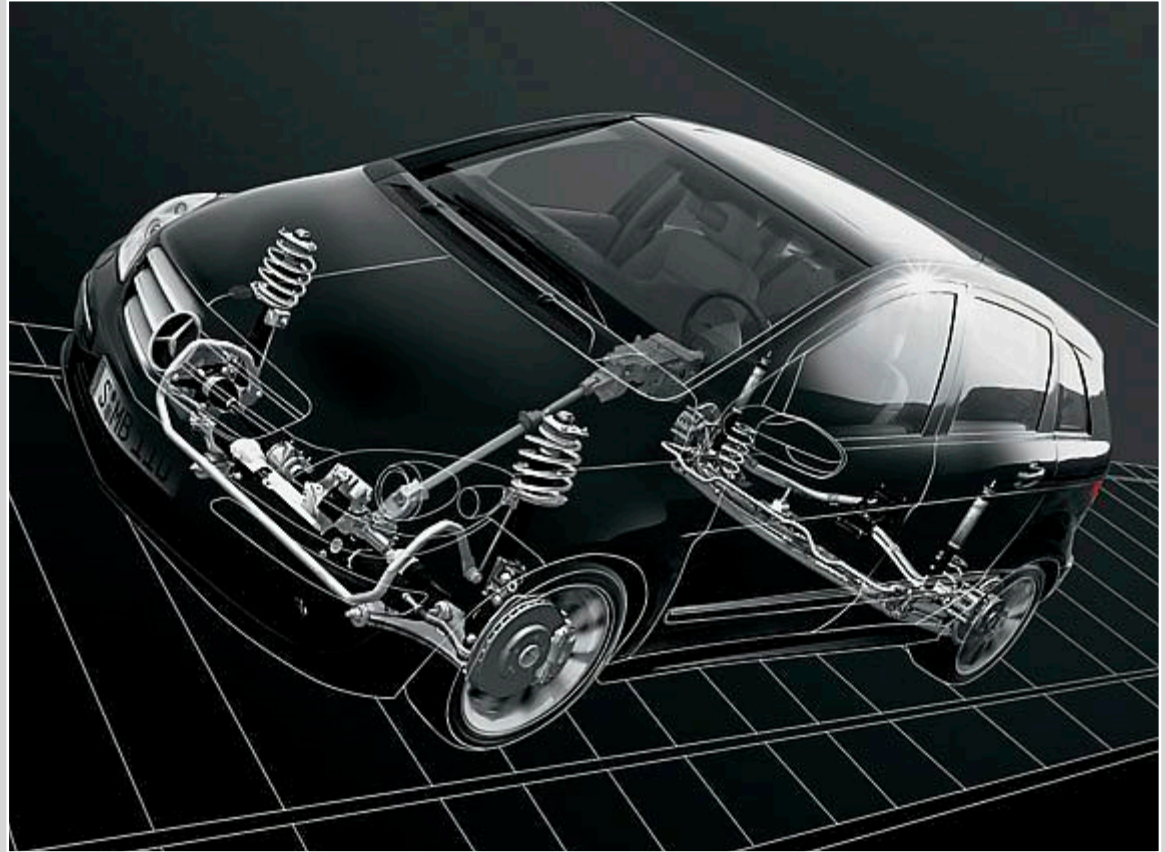
Whether sporty or relaxed, the B-Class transmissions master any style with ease. The B 150, B 170 and B 200 are fitted as standard with a 5-speed manual transmission, while the B 180 CDI, B 200 CDI and B 200 TURBO feature a 6-speed manual transmission. The AUTOTRONIC continuously variable automatic transmission is available as an option. It recognises your own personal driving style and adjusts the engine speed accordingly. Thanks to the continuously variable design of AUTOTRONIC the B-Class accelerates without interruptions to the power delivery – in other words exceptionally smoothly. And because the engine always operates in the optimum engine speed range, AUTOTRONIC also ensures low consumption. By nudging the selector lever or pressing the optionally available steering-wheel gearshift buttons, you can also change manually between the virtual gears – for an even sportier drive.





Comfortable and dynamic driving – the B-Class manages to deliver both, thanks to the new suspension, the unusually wide track and the longest wheelbase in its class. With new-design shock absorbers and a selective damping system, the suspension also reacts smoothly to minor bumps in the road, adapting the damping as required. The parabolic axle makes the suspension more stable on bends, improves wheel location and reduces tyre wear. All of which ensures that the B-Class handles sportily and precisely, even with a full load.

To enhance stability, the car is fitted with the Electronic Stability Program (ESP®) and with STEER CONTROL. With this steering assistance system, if the vehicle begins to skid, a distinct impulse in the steering wheel helps the driver to countersteer in the correct direction.





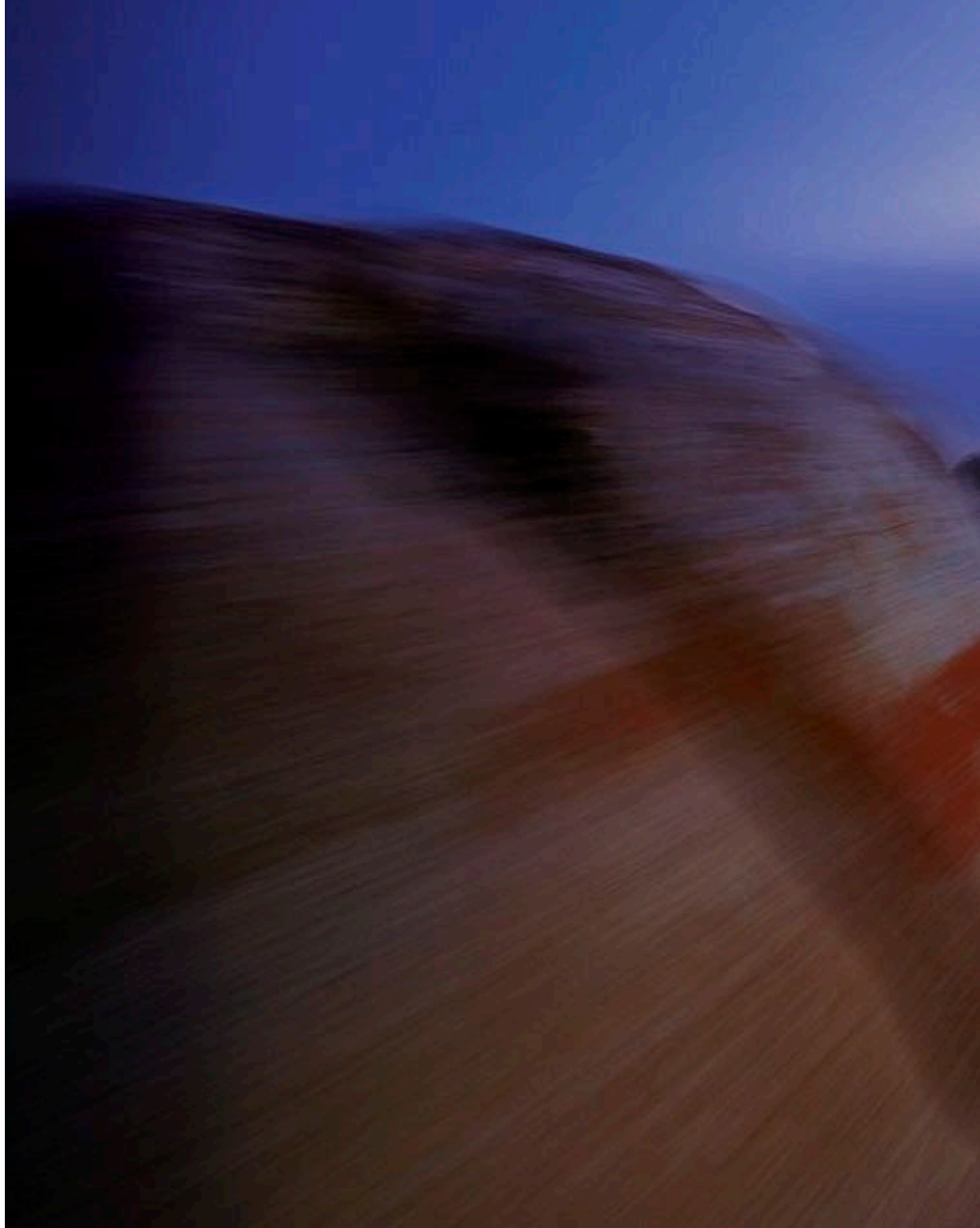
Safety is another area where the B-Class excels. The car features a sandwich design, which means that in the event of a front impact the engine and transmission are able to slide down along the angled pedal floor below the passenger compartment. Because your seating position is slightly higher in the B-Class than in a conventional car, the sandwich structure can also be a crucial advantage in the event of a lateral collision. It also means that you benefit from better all-round visibility.



If you don't like driving in the dark, there's no need to any more

Just because the sun has gone down, there's no reason to be kept in the dark. The optionally available bi-xenon headlamps provide significantly better illumination than the conventional halogen version. The bi-xenon package includes a headlamp cleaning system, automatic range adjustment, and the cornering light and active light functions. With the latter, the bi-xenon headlamps follow your steering movements, providing significantly enhanced illumination on bends and ensuring that the course of the bend and any obstacles are visible at an earlier stage. The cornering light function provides assistance at lower speeds. It is integrated into the main headlamps and improves visibility when turning or cornering, negotiating tight bends and parking.

B 200 TURBO with sports package







B150



SOMB 152



B 150

If you need a lot of space, opt for a compact car

The proportions of the Compact Sports Tourer

Don't be deceived by its compact 4.27-metre length – inside, the B-Class has such a comfortable and generous feel that, even after a long journey, you'll still feel fresh and relaxed. Even the rear-seat passengers enjoy almost as much legroom, shoulder room and headroom as in a luxury saloon.

And if you're wondering how much luggage you can take with you, the B-Class has more than one answer. Even with the rear seats occupied, there's plenty of space in the luggage compartment: with a depth of 89.8 cm and a capacity of 544 litres, there's space for at least six large crates of drinks. There's even enough for a medium-sized pushchair. But that's by no means all. The B-Class is so adaptable that in next to no time you can create a load area up to 2.95 metres in length and a load capacity of up to 2245 litres (in conjunction with the EASY-VARIO system). That's the equivalent of around 18 fully laden shopping trolleys. Well, you never know...





B 150 with alpaca grey fabric upholstery and optional EASY-VARIO system

Fold down the rear seats and in next to no time you have a totally flat, extended loading area. If necessary you can also lower the height of the load compartment floor by 8.5 cm – for even more load capacity. With TIREFIT tyre sealant, there's no need for a spare wheel – which means you can stow the two rear seat cushions in the spare wheel recess beneath the load compartment floor, adding further depth to the load area



There is much more to the B-Class accommodation concept than just plenty of space: the rear bench seat has a 1/3 : 2/3 split-folding function as standard while a folding, removable rear central armrest is available as an option if you wish to carry skis (a suitable ski bag can be found in the Mercedes-Benz accessories range).

The EASY-VARIO system, available as an optional extra, makes your B-Class even more adaptable by allowing the backrest of the front passenger seat to be folded forward or the rear backrests and the front passenger seat to be removed entirely with effortless ease in order to create a flat loading area up to 2.95 metres long.





The B-Class – encouraging your sporting ambitions. The practical interior bicycle rack, supplied with a front wheel bag, is available from our range of accessories and allows you to protect your cycles from both the weather and theft. Drag is naturally lower than when using a roof-mounted bicycle rack, helping you to keep your fuel consumption down



Hankering for that extra finishing touch? We've already thought of it

Say, for example, you want your B-Class to have an even more dynamic rear. You'll find exactly what you're looking for in our accessories range: our bodystyling kit comprises rear apron trim, a roof spoiler and front apron spoiler lips.

Our range also includes features designed to make more practical use of the rear of your car. There's a secure bicycle rack, for example, which can be fitted to the tailgate and holds two cycles. If you're looking for additional stowage space, there's a spacious roof box with an elegant design. Available in three versions, it has a capacity of approximately 330 to 450 litres. For further information on these and other accessories, such as our 17-inch incenio "Zaurak" designer wheels, please see our accessories brochures.

If you want to feel like you're in a cabriolet, you need the right roof over your head

The panoramic sunroof, made from laminated safety glass, bathes the interior in light and creates a satisfying sense of space. Another optional extra is the panoramic louvred sunroof, which provides even more light and sunshine, opening significantly wider than conventional sliding sunroofs. At the touch of a button, the front louvre tilts upwards, acting as a wind deflector, and the other four louvres can be slid back to any position you like. Both roofs feature a manually operated twin roller blind, designed to provide protection from the sun.

B 200 TURBO with sports package







AUDIO

VIDEO

NAV

MAP

TEL

SERV

KK

ON

Symb.

500 m

Begenloch

Sonnenberg

Hoffeld

zurück

REST

REAR

AUTO

20°

22°

AC

OFF

MAX

REAR



The COMAND APS control and display system with DVD navigation works out your route and shows it on the colour display. COMAND APS also offers convenient controls for the radio, CDs, mobile phone and SMS. Also available: the Audio 50 APS with its CD navigation system, integral radio with a CD player, telephone keypad and 6 loudspeakers. The Harman Kardon® Logic 7® surround sound system, with its 12 loudspeakers and 320-watt, 8-channel DSP amplifier, offers sheer indulgence for your ears



Optional extras

Selection

18-inch 5-spoke AMG light-alloy wheels
Anti-theft alarm system with tow-away protection and interior monitoring
Audio 50 APS with CD navigation system, Audio 20 CD, Audio 5 CD
AUTOTRONIC continuously variable automatic transmission including cruise control and SPEEDTRONIC
Bi-xenon headlamps with headlamp cleaning system, incl. active light and cornering light functions
Child seat recognition in front passenger seat (automatic) for child seats with transponder specifically approved by Mercedes-Benz
COMAND APS with DVD navigation system
Cruise control with SPEEDTRONIC

Equipment packages

Exterior chrome package¹, consisting of: radiator grille with chrome louvres, tailpipe with oval, polished stainless-steel embellisher, rear bumper with chrome trim strip, windscreen with blue filter band, exterior mirrors in vehicle colour, rub strips with chrome trim, high-gloss Crosspoint trim for B-pillars, waistline trim with chrome, door handles in vehicle colour with chrome trim, side skirt trim in vehicle colour, chrome loading sill and load-compartment floor handle, chrome-ringed fog lamps

Exterior light & sight package, consisting of: windscreen wipers with rain sensor, windscreen with blue filter band, automatic headlamp activation, headlamp switch-off delay, automatically dimming interior mirror, locator lighting and bulb failure indicator

EASY-VARIO system, consisting of: removable rear seat backrests (1/3 and 2/3 sections) and removable front passenger seat with forward-folding backrest

Electrically folding exterior mirrors left and right

Fog lamps

Folding and removable rear armrest incl. through-loading facility, with cup holder

Front sports seats

Harman Kardon® Logic 7® surround sound system

Heated front seats

Loudspeaker system with central speaker and woofer

Panoramic louvred sunroof

Panoramic sunroof

Myrtle wood trim: for ashtray lid, shiftgate surround, door lining, centre console and tunnel

Interior lighting package, consisting of: individually controlled left/right-hand reading lights in the rear compartment, reading light for the driver, sun visor with illuminated vanity mirror and illuminated front footwells

Leather steering wheel, gearshift lever and handbrake lever¹, plus instrument cluster with white dial illumination

Seat comfort package, consisting of: height adjustment for the front passenger seat, seat cushion angle adjustment and lumbar support for driver and front passenger seats

PARKTRONIC parking aid

Power windows at rear, with automatic one-touch up/down control, summer opening function and convenience closing

Pre-installation for mobile phone with universal interface for various mobile-phone cradles in the centre console or armrest, including hands-free system, operation via multi-function steering wheel, aerial amplifier and GSM wiring

Sidebags in rear

Sports suspension

Steering-wheel gearshift buttons

THERMOTRONIC luxury automatic climate control

Windowbags

Sports package, as exterior chrome package, but with 3-louvre radiator grille with chrome trim and large exhaust tailpipe with polished stainless-steel embellisher, plus: instrument cluster with white dial illumination, seats in ARTICO man-made leather/Maastricht fabric combination, steering wheel with two aluminium highlights and perforated leather, leather gearshift lever with aluminium cap, leather handbrake lever, pedals with stainless-steel caps and rubber studs, decorative strips on the rear bumper, 17-inch 10-spoke light-alloy wheels, sports suspension

Standard equipment

Selection

5-speed manual transmission ² or 6-speed manual transmission ³
Active front head restraints, adjustable for height and angle
Adaptive front airbags and head/thorax sidebags for driver and front passenger (sidebags in backrests offer additional protection for head)
Air conditioning system with dust filter, air recirculation function and air-conditioned glove compartment
Aluminium trim strips on door panels, centre console and tunnel
Anti-lock braking system (ABS)
ASSYST service interval indicator
Belt status indicator for rear seats
Bottle holders in doors, cup holders in centre console
Brake Assist BAS
Central locking with interior switch
Dark-coloured rear light meander
Diesel particulate filter
Door sill panels with aluminium inserts, front panels featuring “Mercedes-Benz” lettering
Driver’s seat with manual height adjustment
Electronic immobiliser, incl. locking system with remote control and visual lock confirmation (recognised by AZT [Allianz Technology Centre] and TÜV [German technical inspection authorities])
Electronic Stability Program ESP®
Front armrest with compartment featuring one-touch opening mechanism
Front seat belts with belt tensioners and adaptive belt force limiters, height-adjustable; rear seat belts with belt tensioners and automatic belt height adjustment (outer seats)

Heated exterior mirrors left and right, electrically adjustable from inside the vehicle, with aspherically curved mirror glass
Height-adjustable load compartment floor (2 levels)
ISOFIX child seat attachment points with top tether in rear
Jack, TIREFIT tyre sealant and electric pump
Load compartment cover
Manual childproof locks on rear doors
Multifunction steering wheel
Outside temperature display
Parabolic rear axle
Power windows at the front (2) with one-touch down control
Projection-beam headlamps
Radiator grille painted in silver
Rear head restraints (3), retractable and adjustable for height and angle
Rear windscreen wiper with intermittent wipe setting and one-touch control
Rub strips front and rear, painted in vehicle colour
Seat occupancy sensor in passenger seat
Selective damping system
Speed-sensitive power steering, with Steering Assist
Split-folding rear bench seat (1/3:2/3), rear seat cushions removable
Steering column with manual height adjustment
Tinted windows all round
Tyre pressure loss warning system

¹ Standard equipment for the B 200 CDI and B 200 TURBO

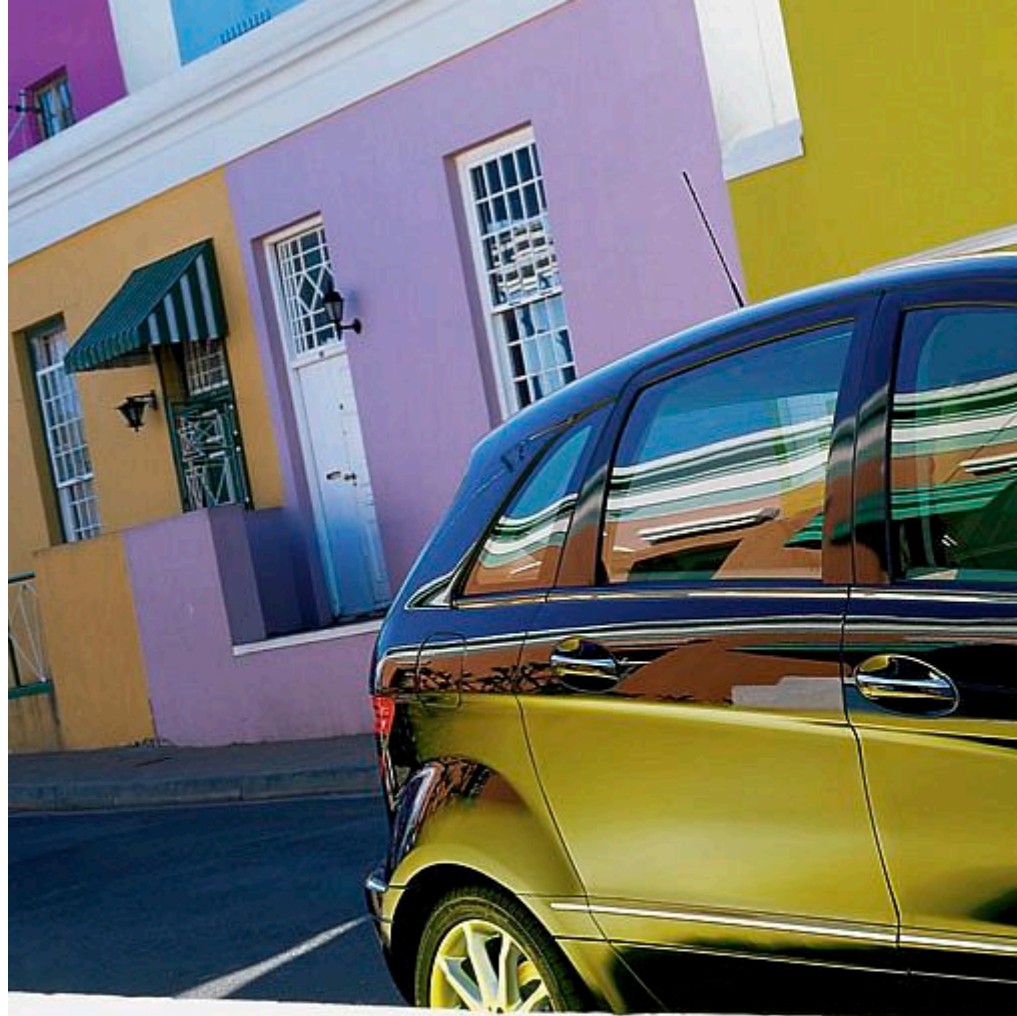
² Standard for B 150, B 170 and B 200

³ Standard for B 180 CDI, B 200 CDI and B 200 TURBO

The equipment of the B-Class may vary slightly in different countries and regions. Please consult your Mercedes-Benz dealer for details

Countless ways to create a unique look

From cosmos black and saturn red to horizon blue: the accommodating nature of the B-Class even extends to the choice of paintwork. To coordinate with the various paint finishes, we offer an attractive upholstery selection and a whole range of trim elements in elegant aluminium or, as an option, in fine myrtle wood.





Paintwork and upholstery - the combination options

	<i>"Utrecht" fabric</i>			<i>ARTICO man-made leather / "Maastricht" fabric¹</i>			<i>Leather appointments²</i>			<i>Sports seats</i>			<i>ARTICO man-made leather / "Zandvoort" fabric²</i>			<i>designo</i>			<i>Leather / Alcantara²</i>		
	black	orient beige	alpaca grey	black	orient beige	alpaca grey	black	orient beige	alpaca grey	black	orient beige	alpaca grey	black	orient beige	alpaca grey	black ³	java ⁴	alpaca grey ⁴	atoll blue ⁴		
<i>Non-metallic paints</i>																					
jupiter red	●	○	●	●	○	●	●	○	●	●	○	●	●			●	●	●	●		
cirrus white	●	○	●	●	○	●	●	○	●	●	○	●	●			●	○	●	●		
night black	●	●	●	●	●	●	●	●	●	●	●	●	●			●	○	○	△		
<i>Metallic paints</i>																					
cosmos black	●	●	●	●	●	●	●	●	●	●	●	●	●			●	●	●	△		
atoll blue	●	●	●	●	●	●	●	●	●	●	●	●	●			●	○	●	●		
horizon blue	●	△	○	●	△	○	●	△	○	●	△	○	●			●	△	○	○		
saturn red	●	●	●	●	●	●	●	●	●	●	●	●	●			●	●	○	△		
comet grey	●	○	●	●	○	●	●	○	●	●	○	●	●			●	○	●	△		
polar silver	●	△	●	●	△	●	●	△	●	●	△	●	●			●	○	●	●		
sand dune beige	●	●	△	●	●	△	●	●	△	●	●	△	●			●	○	△	△		

● Recommended ○ Possible △ Not recommended

¹ Optional and part of the sports package

² Optional extra

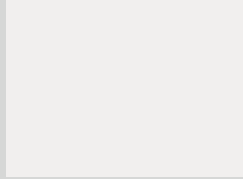
³ Single-tone

⁴ Two-tone

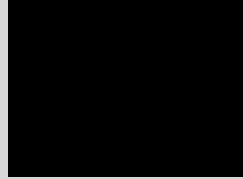
**Non-metallic
paints**



589 jupiter red



650 cirrus white



696 night black

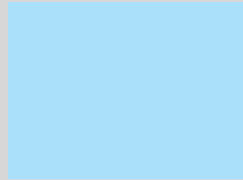
Metallic paints
Optional extra



191 cosmos black



375 atoll blue



391 horizon blue



597 saturn red



748 comet grey

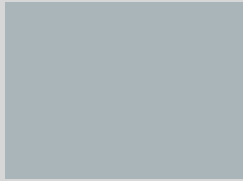


761 polar silver



791 sand dune beige

**“Special Edition”
model**



787 mountain grey

Standard seats

Utrecht fabric, standard



451 black

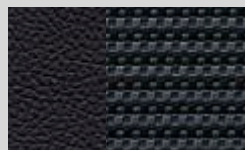


455 orient beige



458 alpaca grey

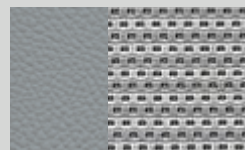
ARTICO man-made leather/Maastricht fabric, optional and part of the sports package



701 black

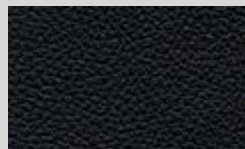


705 orient beige

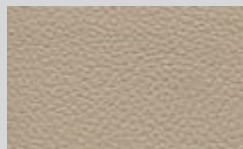


708 alpaca grey

Leather appointments, optional extra



801 black

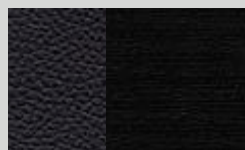


805 orient beige



808 alpaca grey

Sports seats
ARTICO man-made leather/Zandvoort fabric, optional extra



751 black

Special model

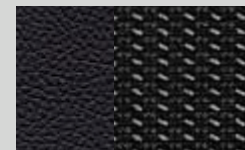
ZEEBRUGGE fabric

“Special Edition”



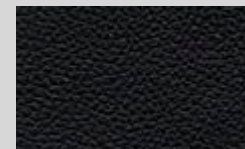
461 black

ARTICO man-made leather/ZEEBRUGGE fabric



711 black

Leather appointments



801 black

Trim elements



Aluminium¹



Brushed aluminium²



727 myrtle wood³

designo

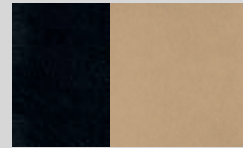
*Leather/Alcantara,
optional extra*



X20 designo black



X90 designo alpaca grey



X91 designo java



X92 designo atoll blue

Trim elements⁴

Optional extra



W62 designo anthracite poplar



W68 designo brown poplar

¹Standard equipment

²“Special Edition” model

³Optional extra

⁴Included with designo leather/Alcantara upholstery

Technical data

	<i>B 180 CDI</i>	<i>B 200 CDI</i>	<i>B 150</i>	<i>B 170</i>	<i>B 200</i>	<i>B 200 TURBO</i>
No. of cylinders/arrangement	4/in-line	4/in-line	4/in-line	4/in-line	4/in-line	4/in-line
Total displacement (cc)	1991	1991	1498	1699	2034	2034
Rated output ¹ (kW at rpm)	80/4200	103/4200	70/5200	85/5500	100/5500	142/5000
Rated torque ¹ (Nm at rpm)	250/1600-2600	300 ² /1600-3000	140/3500-4000	155/3500-4000	185/3500-4000	280/1800-4850
Compression ratio	18	18	11	11	11	9
Alternator (V/A)	14/150	14/150	14/90	14/90	14/115	14/115
Acceleration (0-100 km/h in s)	11.3	9.6	13.2	11.3	10.1	7.6
Top speed, approx. (km/h)	183	200	174	184	196	225
Tyre size	205/55 R 16	205/55 R 16	195/65 R 15	195/65 R 15	205/55 R 16	205/55 R 16
Fuel	Diesel	Diesel	Premium	Premium	Premium	Super Plus
Fuel consumption ³ (l/100 km)						
Urban (automatic transmission)	7.2-7.6 (7.3-7.9)	7.2-7.6 (7.6-8.0)	8.3-8.5 (8.5-8.7)	8.6-9.0 (9.0-9.2)	9.3-9.6 (9.5-9.7)	10.5-11.0 (10.5-10.7)
Extra-urban (automatic transmission)	4.6-4.7 (4.9-5.3)	4.6-4.7 (5.0-5.3)	5.6-5.8 (6.0-6.2)	5.8-6.0 (6.0-6.2)	6.0-6.3 (6.0-6.2)	6.4-6.6 (6.7-6.8)
Combined (automatic transmission)	5.6-5.8 (5.9-6.2)	5.6-5.8 (6.0-6.3)	6.6-6.8 (6.9-7.1)	6.8-7.1 (7.1-7.3)	7.2-7.5 (7.3-7.5)	7.9-8.1 (8.1-8.2)
CO ₂ emissions ³ (g/km) combined (automatic transmission)	146-151 (157-164)	146-151 (159-165)	158-163 (166-171)	163-171 (171-175)	173-180 (175-180)	190-195 (195-197)
Tank capacity (l/of which reserve approx.)	54/6	54/6	54/6	54/6	54/6	54/6
Turning circle diameter (m)	11.95	11.95	11.95	11.95	11.95	11.95
Kerb weight ⁴ (kg)	1435	1435	1300	1310	1345	1370
Perm. GVW (kg)	1880	1880	1835	1830	1880	1880

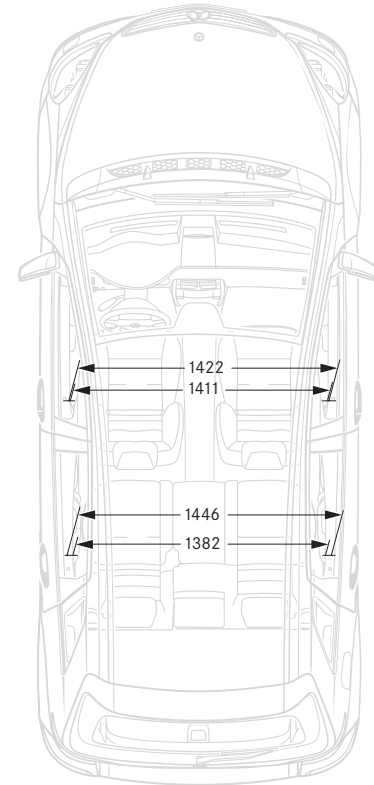
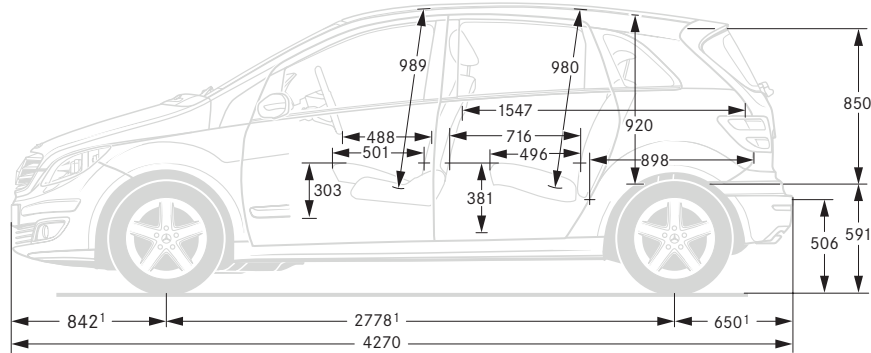
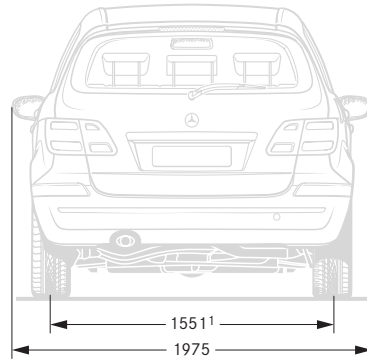
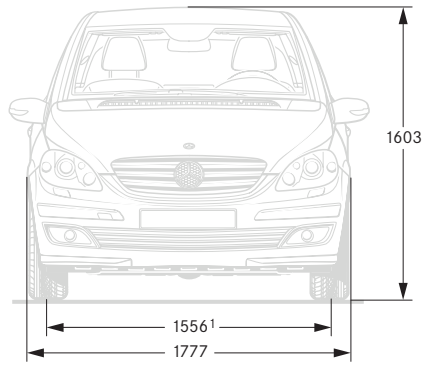
¹Figures according to Directive 80/1269/EEC in the currently applicable version

²280 Nm if automatic transmission fitted

³The figures shown were obtained in accordance with the prescribed

measuring process (Directive 80/1268/EEC in the currently applicable version). The figures are not based on an individual model and do not constitute part of the product offer; they are provided solely for purposes of comparison between different vehicle models

⁴Figures according to Directive 92/21/EC, version 95/48/EC (kerb weight with fuel tank 90 % full, driver, 68 kg, and luggage, 7 kg) for standard-specification vehicles. Optional extras and accessories will generally increase this figure and reduce the payload capacity accordingly



All figures in mm. Dimensions when unladen

¹ Carrying 3 people, each weighing 68 kg





Even more unique: the B-Class Special Edition

With the B-Class, Mercedes-Benz offers you a unique vehicle concept: the Compact Sports Tourer. And the Special Edition model boosts its strengths further still, integrating a whole array of high-quality special features designed to enhance the sporty elegance and provide even greater touring comfort.

The “mountain grey” metallic paint, for example, is only available for the Special Edition model. Or you can opt for the exquisite “cosmos black” or “horizon blue” metallic paintwork. They all underline the sheer exclusivity on offer, as do the “Kochab” light alloy-wheels with their distinctive 12-spoke design.

The following pages highlight the uniqueness of the Special Edition model’s interior. The most impressive features of all are the numerous design touches, including trim strips in diagonally brushed aluminium, exclusively upholstered seats and elaborate stitchwork in the footwells.

In addition, this particular B-Class features cruise control as well as front and rear power windows. Not to mention practical stowage boxes beneath the driver’s and front passenger’s seats, along with luggage nets on the seatbacks, all of which maximise the available stowage space and provide the perfect finishing touches to the range of extras for the Special Edition model.



Seat comfort to the power of three: for the seat upholstery in your Special Edition model, you can select from ZEEBRUGGE fabric, an ARTICO man-made leather/fabric combination or black leather*. Trim elements in brushed, titanium-coloured aluminium create an eye-catching, sporty look and also frame the centre console. The Audio 20 hi-fi system, inset in the dashboard console, offers high-quality sound together with easy-to-use controls. Meanwhile the 16-inch 12-spoke "Kochab" light-alloy wheels add to the sporty, elegant aura all round*

*Optional extra







Take-back of end-of-life vehicles. Coming full circle

At the end of its long life, you can return your B-Class to us for environment-friendly disposal in accordance with the EC End-of-Life Vehicle Directive¹. But that day lies a long way off.

¹Applies in accordance with national regulations to vehicles up to 3.5 tonnes gross weight. Mercedes-Benz passenger cars have met the statutory regulations governing the suitability of their design for reuse and recycling for a number of years now. A network of vehicle take-back depots and dismantlers has been established which will process your vehicle in an environment-friendly manner. The ways in which both vehicles and parts can be recovered are subject to ongoing development and improvement. Consequently, the B-Class will be able to comply with any future increases in the recycling quota within the stipulated time limits. For further information, go to www.mercedes-benz.de or call 00800 1 777 7777.

Please note: changes may have been made to the product since this brochure went to press (31.08.2007). The manufacturer reserves the right to make changes to the design, form, colour and specification during the delivery period, provided these changes, while taking into account the interests of the vendor, can be deemed reasonable with respect to the purchaser. Where the vendor or the manufacturer uses symbols or numbers to describe an order or the subject of an order, no rights may be derived solely from these. The illustrations may show accessories and items of optional equipment which are not part of standard specification. Colours may differ slightly from those shown in the brochure, owing to the limitations of the printing process. This brochure has been compiled by DaimlerChrysler AG of Germany and is distributed internationally. It provides a general indication of the range of models, features, optional extras and/or colours available in various countries. Some of the models, features, optional extras and/or colours shown may not be available in your country or may only be available in a different specification. Additionally some models, features, optional extras and/or colours may only be available in combination with others. For current and more specific information in relation to the range of models, features, optional extras and/or colours available in your country, and their pricing, you should contact your nearest authorised Mercedes-Benz Passenger Car Dealer.