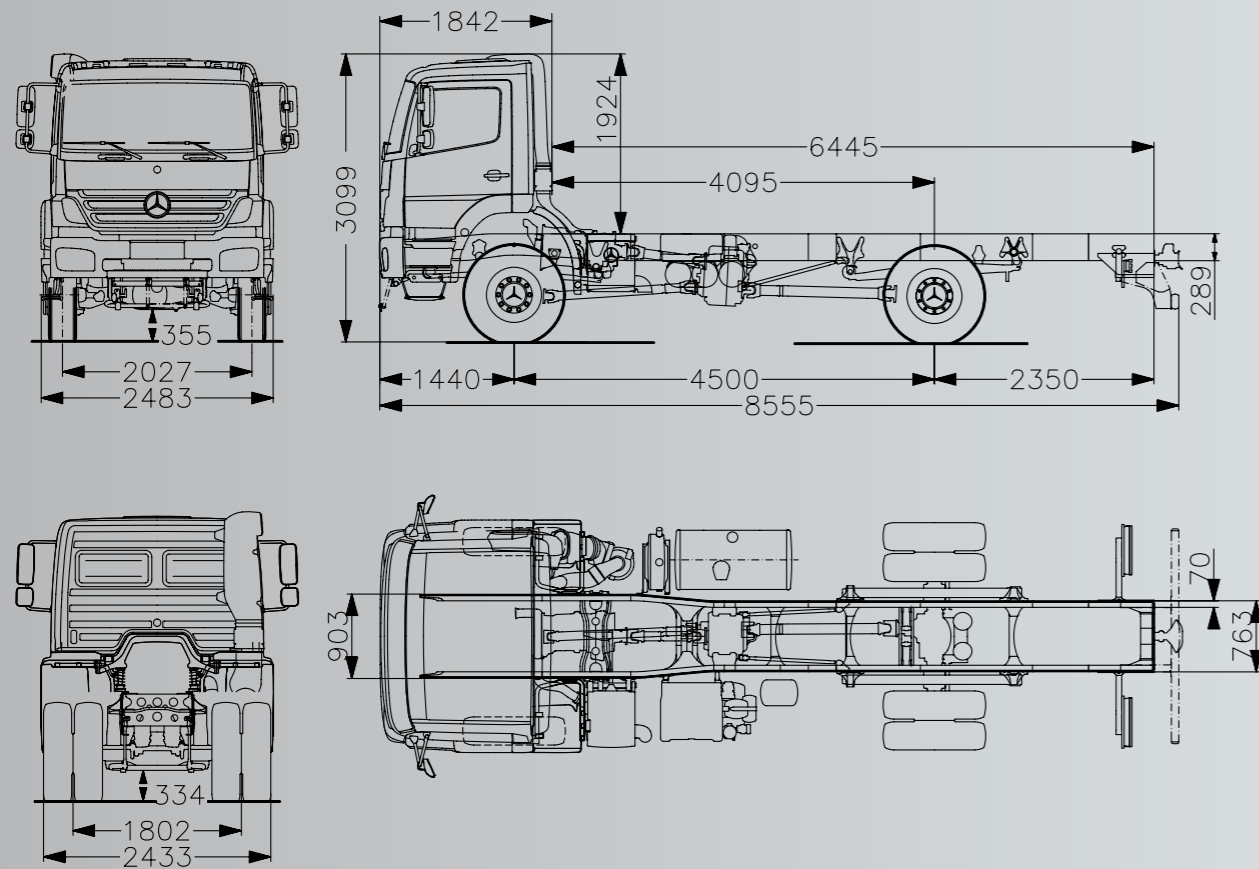


Frame height (mm)		
Tyre size	315/80 R 22.5 tyres	
	laden	unladen
front axle	1165	1231
rear axle	1177	1303




Note: drawings are general arrangement drawings only.  
Contact your authorised Dealer for details if required.

Authorised Dealer

To speak to your nearest authorised Mercedes-Benz Dealer call **1300 66 22 30**.

Mercedes-Benz Australia/Pacific Pty Ltd offers a 3 year / 250,000 km driveline Warranty on engine, transmission, propshafts and driving axles. For full Warranty details and limitations contact your authorised Mercedes-Benz Dealer. Specifications and information referred to herein is correct at the time of publication. Some of the equipment depicted either on vehicle illustrations or separately may be non-standard or optional at extra cost. Mercedes-Benz Australia/Pacific Pty Ltd reserves the right to discontinue or modify any vehicle or optional equipment at any time without prior notice to meet any requirement of a manufacturing or commercial nature which it may deem appropriate. Consult your authorised Mercedes-Benz Dealer for the latest details on specifications, options, prices and availability. [www.mercedes-benz.com.au](http://www.mercedes-benz.com.au)  
Telligent® is a registered trademark of Daimler AG.

LMCT 6776

Mercedes-Benz Australia/Pacific Pty Ltd, ABN 23 004 411 410. 44 Lexia Place, (PO Box 4214) Mulgrave, Victoria 3170 Telephone: (03) 9566 9317 Facsimile: (03) 9562 0397  
The  and the words Mercedes-Benz are registered trademarks of Daimler AG, Germany. Printed in Australia. TF DCBRO581 04 /08



1833 A 4x4 Specifications

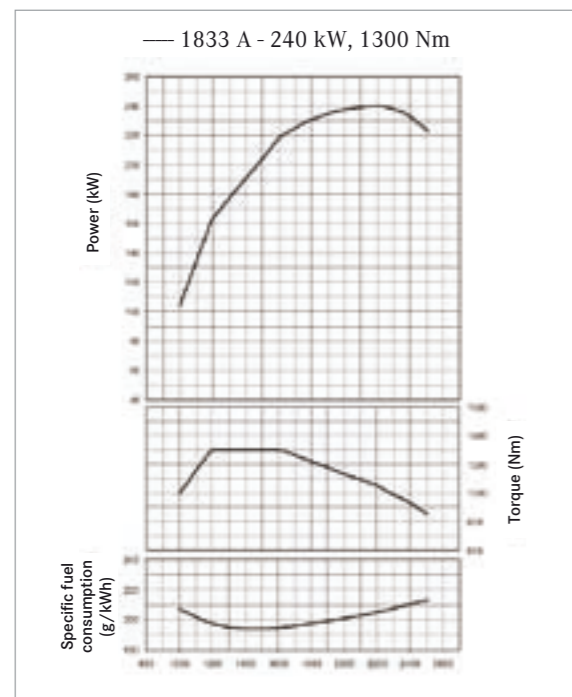
**Axor**

Mercedes-Benz

# AXOR 1833 A 4x4 Specifications

## Engine

Type	Mercedes-Benz OM 926 LA 7.20 litre in-line 6 turbocharged with intercooling Four-stroke diesel with direct injection Telligent® engine management
Maximum power	240 kW (326 hp) @ 2200 rpm
Maximum torque	1300 Nm (960 lb.ft) @ 1200 - 1600 rpm
Emission level	ADR 80/02, Euro 4



## Clutch

Type	Single dry plate
Operation	Hydro-pneumatic
Diameter	430 mm

## Transmission

Type	Mercedes-Benz G 131 - 9/14.6 - 1.0 9 speed synchromesh
------	---

## Transfer Case

Type	Mercedes-Benz VG 1700 - 3W, 2 gear Differential lock standard
------	--

Ratios	
on-road	1.000 : 1
off-road	1.403 : 1

## Power take-offs

Options	<ul style="list-style-type: none"> <li>• Transmission PTOs</li> <li>• Rear of engine live-drive PTO</li> <li>• Programmable Body Builder Module (PSM) for PTO interface with Telligent® systems</li> </ul>
---------	--

## Telligent® Maintenance System

Function	Electronic monitoring system networked with all important vehicle sub-systems Continuously records all relevant operating conditions and monitors wear
Benefits	Permanent monitoring enhances vehicle safety Application-oriented maintenance intervals Easier maintenance checks

## Cab

Type	Mercedes-Benz S (short) cab • S cab with rear extended by 180mm				
Safety	Complies to European Safety Standard ECE R 29 Non-flammable and non-splintering energy-absorbing interior trim				
Cab access	3 wide, non-slip, offset steps 90° door opening Long handrails on both sides of door opening Access steps illuminated by entrance lights				
Seating	<table border="1"> <tr> <td>Driver</td> <td>Fully adjustable air-suspended Grammer seat with headrest Integrated seatbelt with retractor Adjustable air lumbar support</td> </tr> <tr> <td>Passenger</td> <td>Static seat with headrest Fore/aft and backrest adjustment Height adjustable seatbelt with retractor • Air-suspended Grammer passenger seat</td> </tr> </table>	Driver	Fully adjustable air-suspended Grammer seat with headrest Integrated seatbelt with retractor Adjustable air lumbar support	Passenger	Static seat with headrest Fore/aft and backrest adjustment Height adjustable seatbelt with retractor • Air-suspended Grammer passenger seat
Driver	Fully adjustable air-suspended Grammer seat with headrest Integrated seatbelt with retractor Adjustable air lumbar support				
Passenger	Static seat with headrest Fore/aft and backrest adjustment Height adjustable seatbelt with retractor • Air-suspended Grammer passenger seat				
Mirrors	Electrically adjustable main mirrors Wide-angle spotter mirror on both sides Passenger side down mirror Heated mirrors with manual on/off				
Windows	Electric windows Tinted glass all-round Rear cab wall window standard				
Heating and Ventilation	Air-conditioning standard Pollen/particle filter Air-controlled HVAC system with 4-speed blower fan 13 demister vents, 2 adjustable central vents, spherical vents in doors and 2 lower footwell vents Steel roof hatch with 2 opening positions				

## Instruments and Controls

Driver Information and Operating System displays:	<ul style="list-style-type: none"> <li>Engine oil level, pressure and temperature</li> <li>Coolant level and temperature</li> <li>Engine operating hours, Odometer</li> <li>Trip computer: distance covered, time elapsed, average speed, average fuel consumption</li> <li>Outside temperature</li> <li>Status indicator</li> <li>Gear indicator</li> </ul>
---	--

Differential lock display	
Event messages	
System abbreviation or malfunction symbol	
Fault location	
Fuel/AdBlue levels	
Left hand stalk	Horn, windscreen wipers and washer, headlight main beam/dip/flash, turn indicators
Right hand stalk	Combined drive/brake cruise control and speed limiter Active Engine Brake (AEB) control
Radio and CB	Radio/CD player mounted in headlining Provision for CB radio including aerial • Provision for telephone/fax

## Axles

Front	Mercedes-Benz AL7 - 7,500 kg capacity
Rear	Planetary hub reduction Differential lock standard Mercedes-Benz H7 - 13,000 kg capacity 300 mm crown wheel
Ratio	4.143 : 1 2085 rpm @ 100 km/h • 4.333 : 1

## Brakes

Service	Drum brakes 410 mm diameter Dual brake circuits Automatic adjustment Air dryer Load-sensing brakes
Secondary/Parking ABS	Progressive spring loaded rear brakes ABS (anti-lock brakes) standard ABS de-activation switch
Engine brake	Active Engine Brake (AEB)

## Suspension

Front axle	Mercedes-Benz 3 leaf parabolic springs Stabiliser bar and shock absorbers 7,500 kg capacity
Rear axle	Mercedes-Benz 4 leaf parabolic springs Stabiliser bar and shock absorbers 11,500 kg capacity

## Steering

Type	Mercedes-Benz LS8 recirculating ball Integral power assistance
Steering wheel	Soft-feel 450 mm steering wheel Fully adjustable Telescopic Rake
Turning circle	23.4 m wall to wall - standard 4500 mm wheelbase, 48° inner wheel cut

## Wheels and Tyres

Wheels	10-stud 9.00 x 22.5 steel wheels
Tyres	Steer 315/80 R 22.5 Drive 315/80 R 22.5

## Chassis

Main rail	289 mm web x 70 mm flange x 9.5 mm thickness High strength E 500 TM steel Rear rail width 763 mm Longitudinal members 50 mm hole pattern
Standard wheelbase	4500 mm
Trailer equipment	Trailer brakes with hand control standard Air and electrical lines to rear of chassis
Front bumper	Steel front bumper
Reverse warning	2-tone audible warning device

## Fuel Tanks

Capacity	1 x 400 litre rectangular aluminium tank on RHS, lockable fuel cap
AdBlue tank	1 x 35 litre rectangular plastic tank on RHS

## Electrical System

Voltage	24 volts
Batteries	2 x 12 V/220 Ah
Alternator	28 V/80 A
Starter	4 kW/24 V
Road lights	Halogen headlights
Fuses	Automatic fuses
Body-builder system	Pre-wiring kit for body-builder equipment standard

## Tare Weights

Tare weights for standard cab/chassis with all fluids excluding fuel, tools and spare wheel. Approximate and subject to variation of ± 3%. Dependent on vehicle specification

	S (short) cab
Front	4,230 kg
Rear	2,420 kg
Total	6,650 kg

## Maximum Weights

Front axle	7,100 kg
Rear axle	11,500 kg
GVM	18,000 kg • 16,000 kg • 21,500 kg
GCM	36,000 kg

## • OPTIONAL EQUIPMENT

