



This Brochure is prepared by Daimler AG and it predominantly reflects the capabilities and performance of vehicles sold in Europe. Some characteristics, capabilities, performance features and optional extras (e.g. towing systems) may not be available or may not apply in Australia or under Australian conditions. The information in this Brochure is therefore indicative, illustrative and provided only for guidance and should not be relied on. To obtain current and accurate information on a vehicle and any options applicable to Australia, contact your local authorised Mercedes-Benz dealer.

Mercedes-Benz



Mercedes-Benz

The new-generation M-Class

“Our philosophy is very simple. We give our best for people who expect the best.”

Dr Dieter Zetsche

# Contents

<b>The M-Class</b>	<b>4</b>	<b>My M-Class</b>	<b>50</b>
<b>Exterior design</b>	<b>8</b>	<b>Equipment</b>	<b>52</b>
<b>Agility</b>	<b>16</b>	Sports package	52
Diesel engines	16	Audio and communication systems	54
Petrol engines	18	Standard equipment	58
Transmission	20	Optional extras	60
Suspension	22	Equipment packages	62
<b>Comfort</b>	<b>24</b>	Light-alloy wheels	64
Interior	24	<b>Genuine accessories</b>	<b>66</b>
Flexibility	30	<b>designo</b>	<b>68</b>
<b>Off-road performance</b>	<b>34</b>	<b>Colours and materials</b>	<b>72</b>
<b>Safety</b>	<b>38</b>	Paint finishes	72
Active safety	38	Upholstery and trim elements	74
Passive safety	40	Possible combinations	76
<b>AMG</b>	<b>42</b>	<b>Technical data</b>	<b>78</b>
ML 63 AMG	42	<b>Service</b>	<b>82</b>
AMG optional extras	46	<b>Test drive</b>	<b>84</b>

# One not just for the road. But always one to go its own way

Whether you're cruising on bustling city streets or have a rocky road ahead of you: with the M-Class you enjoy effortlessly superior driving performance. On all surfaces. Off surfaced roads too.

Apart from off-road capability, at first glance the M-Class impresses with a particularly exclusive and dynamic exterior design – perfectly matched by the design of the interior. High-grade materials and exceptional workmanship, up-to-date technology, as practical as it is good-looking, and inviting seats set the tone inside.

The M-Class demonstrates versatility on a very high level – and we're not just talking about ground clearance.

# The M-Class





Juggling the day-to-day routine  
with true adventure







## A declaration of love to the wilderness is right at your doorstep

Taking up challenges can be so exhilarating. Especially if you tackle them with the M-Class.

The front end, with a redesigned radiator grille featuring black ribs and chrome highlights, immediately signals determination. Equally striking, the side mirrors and the silver-coloured simulated underguard. The now seemingly even

wider front apron with integral fog lamps, and the new, more distinctive design of the transition to the headlamps point up the character of the M-Class.

The very sight of the M-Class is an invitation to give in to your curiosity and blaze new trails.





## Dreaming of the road (or the off-road) you need a strong shoulder to rest on

The M-Class doesn't have just one, but at least two. Distinctive wings with brush guards determine their looks. They lend contour to the dynamic silhouette with its flowing front-to-rear lines and the characteristic slope of the C-pillar. The roof rails as standard feature indicate versatility. The appearance of the M-Class is effectively enhanced by powerful-looking 17-inch or 19-inch wheels as standard (ML 63 AMG 20-inch). So you're always in a good position - which you won't want to be for long. After all, the true character of the M-Class is revealed not at first glance, but on the first drive.





Can there be a better reason why the world is out there just waiting for you?





## There are drives you'll remember. And drives that get into your bloodstream

From the moment you start the engine to the time you set the parking brake at your destination, there is one item of M-Class equipment that will stand out: excitement. The very look of the vehicle promises flexibility, dynamism and exclusivity, from the front end through the characteristic wedge-like line of the side to the rear end. The panoramic rear window, which extends into the sides of the vehicle, and a discreet spoiler lip appear nearly weightless. Dark-tinted tail lights place decidedly sporty

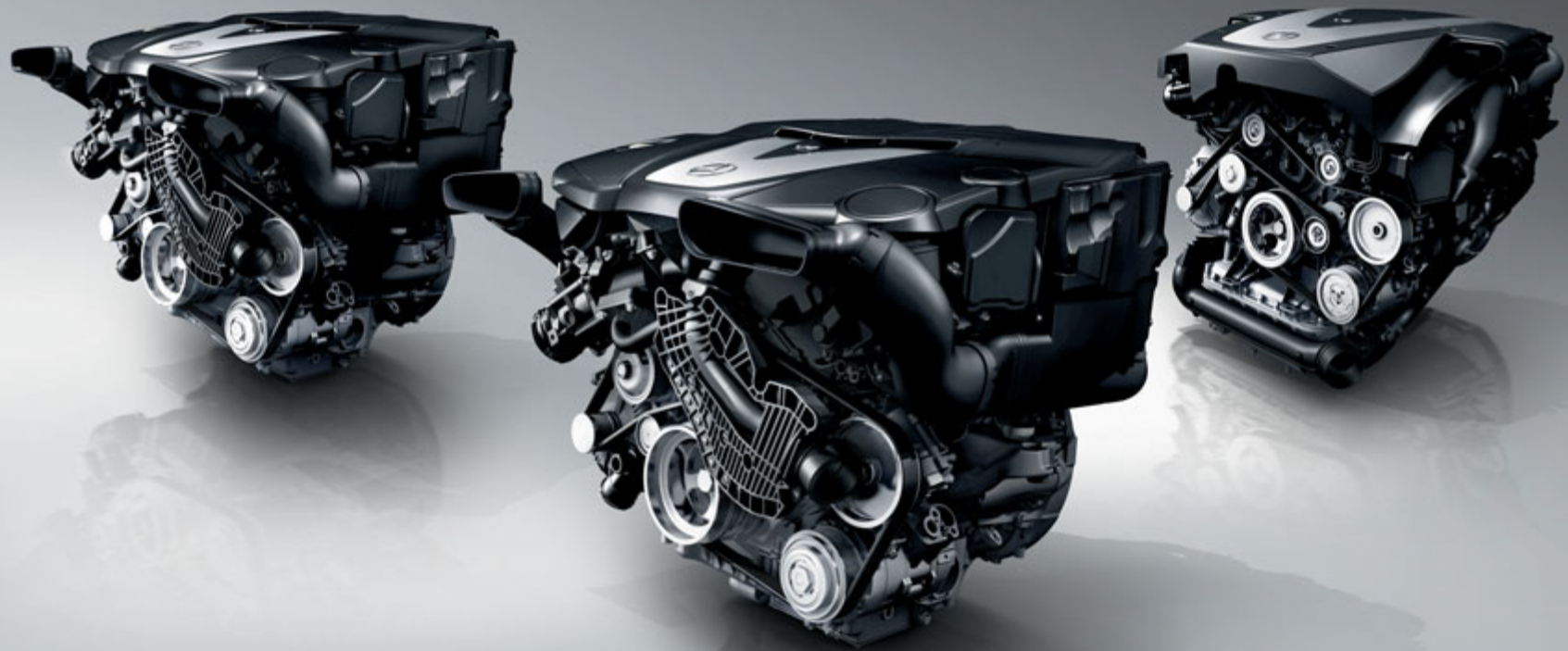
accents. And if you wish, viewed from the rear the M-Class will shine even more brightly: with lights in LED design.

The reflectors in the redesigned rear bumper, which is painted the colour of the vehicle, make for improved visibility. But before dark it more likely will be the twin exhaust system with oval tailpipes – square tailpipes as part of the sports package – that catches the eye. It recalls a sports car – as will the thrill you feel after your drive.









# Common rail – to get the most out of fuel

## The leading diesel technology

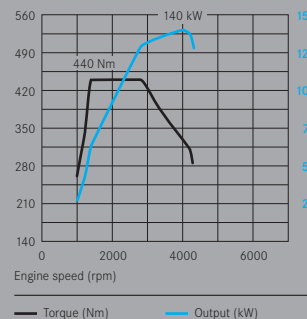
Those who revel in the outdoors take care not to tread it under foot. That applies to the M-Class in several respects. Its diesel engines, with particulate filter as standard, not only have hushed running characteristics, but also are frugal with fuel and have low pollutant emissions. Yet extremely powerful too. The ML 280 CDI generates 140 kW (190 hp) and a maximum

torque of 440 Nm. In the ML 320 CDI you have 165 kW (224 hp) and a peak torque of 510 Nm at your command. The ML 420 CDI features an efficient 225 kW (306 hp) V8 engine with a peak torque rating of 700 Nm.

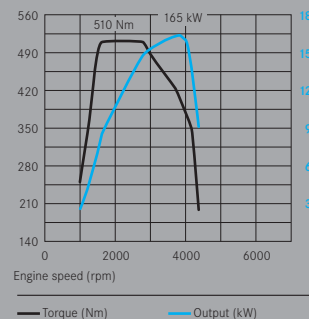
The optimised common-rail technology makes the diesel engines particularly economical.

This means: in the running engine the pressure needed for injection is always available in a central fuel line. It is stored there and put to work as required by individually controlled valves. You don't see much of it, but you notice it in the smooth operation, at the filling station, and in the long term in the environment.

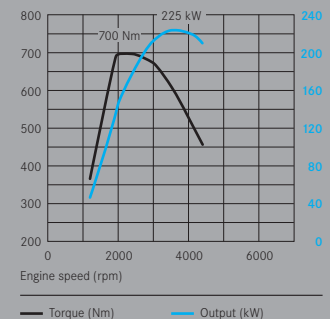
ML 280 CDI



ML 320 CDI



ML 420 CDI



# Enthusiasm needs a strong drive

## The dynamically responsive petrol engines

The ignition of these power plants gets more than the M-Class moving. You too will be moved, even if you're not driving.

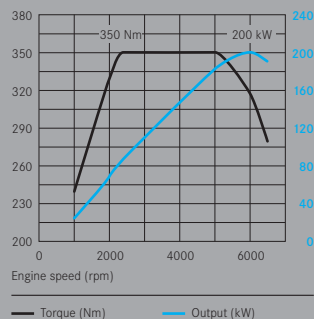
The petrol engines are particularly powerful, yet they consume less fuel than most other vehicles of this class.

The 6-cylinder in the ML 350 is distinguished by refined running. With 200 kW (272 hp) at 6000 rpm and a torque of 350 Nm available between 2400 and 5000 rpm, it will take you from 0 to 100 km/h in 8.4 seconds.

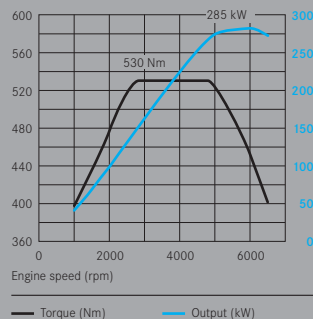
High torque and the typical V8 sound characterise the powerful ML 500 with 8-cylinder engine. With 285 kW (388 hp) at 6000 rpm and a maximum torque of 530 Nm, available between 2800 and 4800 rpm, it can sprint from 0 to 100 km/h in only 5.8 seconds.

The sound of the AMG 8-cylinder engine gives rise to excited anticipation even when you're standing still. On the go, anticipation will become sheer enthusiasm owing to 375 kW (510 hp) and the convincing torque of 630 Nm at 5200 rpm.

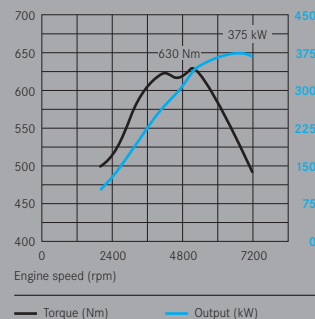
ML 350



ML 500

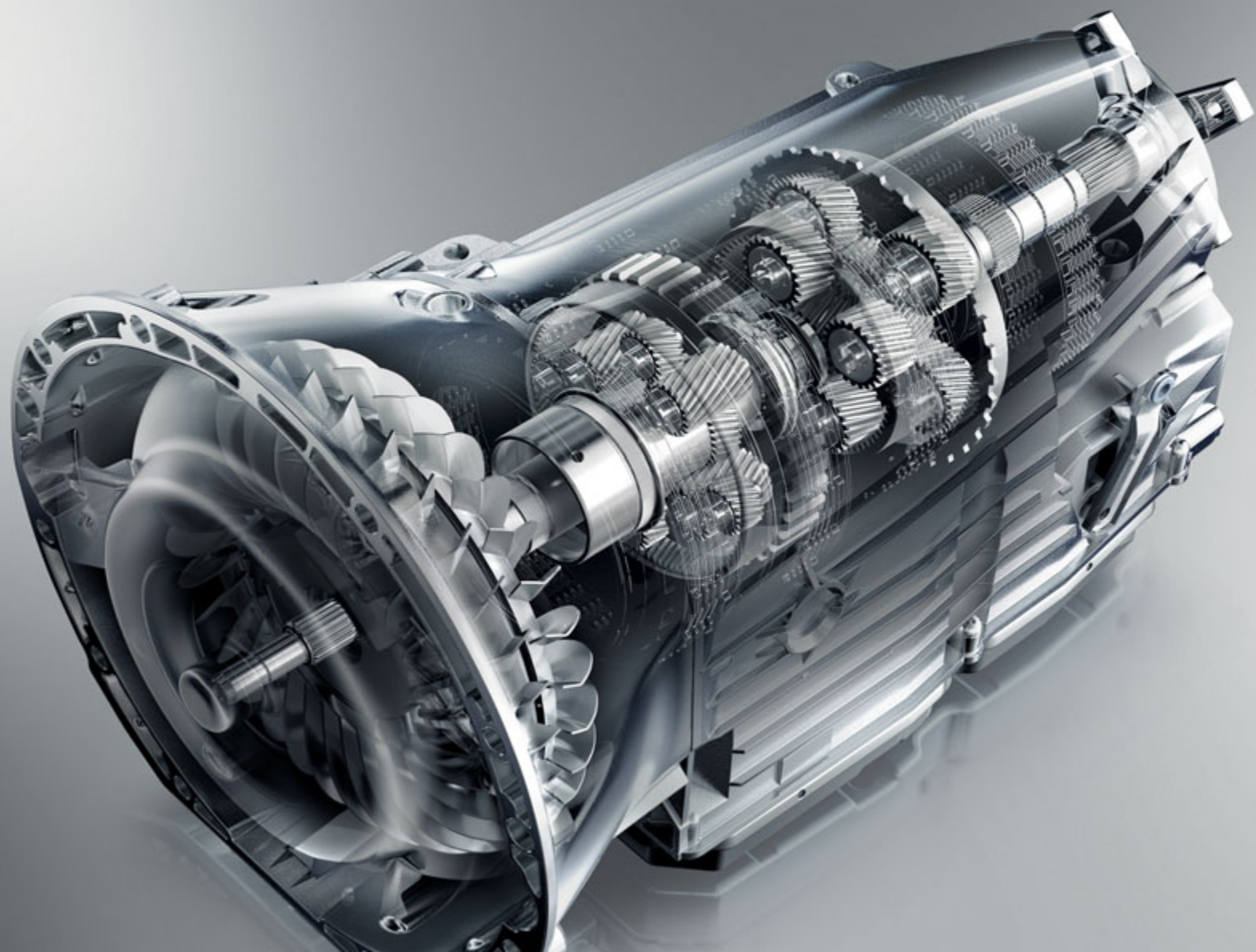


ML 63 AMG



With the power reserves of the 6- or 8-cylinder you're perfectly well equipped to handle any stretch of road – or to overcome several dozen metres difference in elevation on a dirt track, for instance.





# Behind any impressive acceleration is a strong transmission

The multiple-downshift 7G-TRONIC

To fully make use of its power, an engine needs a highly responsive transmission. If the two work together as well as they do in the M-Class, the result is an exceptional expression of driving culture. On-road and off-road.

Crucial to this interaction is the further improved 7G-TRONIC 7-speed automatic transmission.

It selects gears directly and very briskly, ensuring enhanced torque delivery and optimum acceleration.

The 7G-TRONIC 7-speed automatic transmission has seven gear ratios. The differences in engine speed between the individual ratios are very small, which enhances driving dynamics

along with ride comfort. Gearshifts are virtually imperceptible, shift times are unbelievably short, and noise is minimal. The 7G-TRONIC affords greater refinement even during downshifting – owing to the multiple downshift function that skips individual gears if required. All in all, this is the “automatic” approach to the ultimate driving experience. Gear by gear.

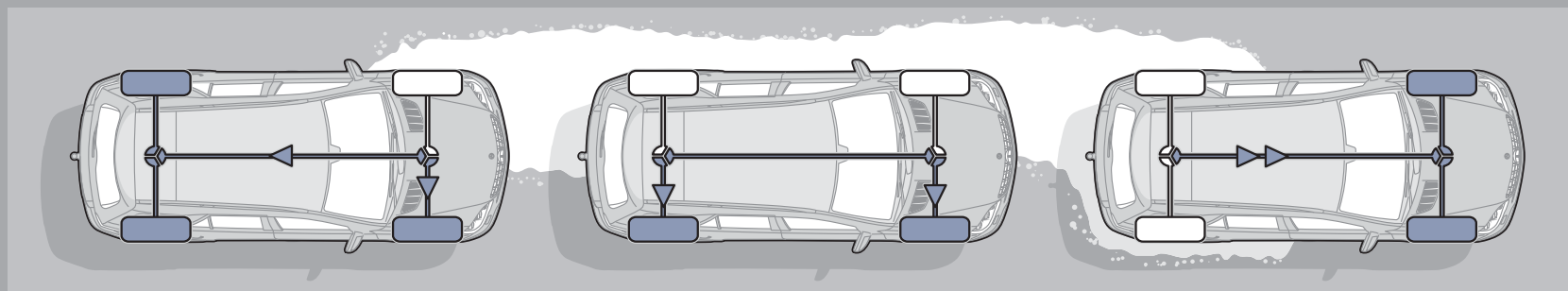
# Liberating inequality

The fine touch for any surface: 4MATIC, 4ETS and AIRMATIC air suspension

Ice and snow, leaves and mud, grass and loose chippings – different surfaces won't detract from ride comfort and driving safety since exceptional traction is a permanent state owing to the interplay of the 4MATIC permanent all-wheel drive, the 4ETS Electronic Traction System, and the AIRMATIC air suspension, including the Adaptive Damping System ADS. 4MATIC transfers driving power evenly to axles

and wheels. Instead of differential locks, it makes use of the Electronic Traction System to do this. If a wheel begins to spin, 4ETS brakes it. Unused drive torque is distributed to the other wheels. The result: optimum traction and high ride quality. The AIRMATIC package is standard in the ML 500, ML 420 CDI and ML 63 AMG and optional in the other models. The sensors of the Adaptive Damping System ADS monitor the

suspension and the driving situation and automatically adjust the air suspension to them. But you can also choose manually between a sporty damper setting and a comfortable damper setting. Finally, by simply pressing the standard off-road switch you prime all electronic systems for off-road driving. Now there'll be ways open to you where there weren't any before.



4ETS automatically transfers the drive to the wheels with most grip









## With the M-Class you can enjoy the nicest places. Starting with your interior

The interior - as practical as it is luxurious

Favourite spots are not always easy to find. But you find everything there easily. At least if we're talking about the cockpit of the M-Class.

Intuition is practically all you need to operate many electronic functions. Thanks to a particularly ergonomic arrangement of all displays and controls. And to keep you from searching too long to find your way, options include the COMAND APS multimedia system with hard disc navigation, which is available in place of the standard audio system Audio 20. So sit back in

the likewise ergonomically designed, electrically adjustable seats in which even a long journey will strike you as short. To satisfy more sophisticated requirements it's possible to equip the M-Class with climatized multicontour seats including memory package. This package allows three stored configurations to be recalled at the push of a button.

So get in and put an end to practically any searching - even for the right posture.

# Even in the big city you're surrounded by nature

Style aplenty, but nothing superfluous: the cockpit

Sometimes you feel at home even though you still haven't reached it. In the interior of the M-Class, for example. Open the door and it receives you with elegant, sporty design, warm colours, and an inviting cheerfulness.

The first thing that catches your eye is the re-designed standard multifunction leather steering wheel with chrome highlights and gearshift

paddles. For those with higher standards of exclusivity, a wood/leather multifunction steering wheel in anthracite poplar or burr walnut also is available. The door centre panels are covered with high-grade ARTICO man-made leather, which is particularly easy to care for. If you wish, the dashboard, too (nappa leather in the ML 63 AMG), over which you have a commanding view of the road, for one thing owing to the raised

seat position, for another owing to the large, sharply raked windscreen with a slender A-pillar.

If you want to surround yourself with more of Mother Nature than you already have in front of and behind this windscreen, there are various leather upholsteries to choose from. For instance, contrasty cashmere beige/black, for that special design touch.







## Made for long journeys and long legs

Lots of space and a high level of comfort in the rear

Legroom and headroom to spare: the spaciousness afforded by the rear passenger compartment of the M-Class makes long journeys a pleasant jaunt even for tall passengers.

The rear seats are ergonomically shaped, promote a healthy posture and provide good support, for instance on bends. The raised seat position additionally conduces to a high level of ride comfort. And boredom is out of the question. The interesting views and good overview from

the back seats see to that, especially together with the rear-seat entertainment system that can be installed as an optional extra. It includes: 8-inch screens on the head restraints and two wireless headphones. Game console and TV receiver can be hooked up by means of an aux-in connection.

So the three rear seats of the M-Class leave nothing to be desired. Except perhaps a turn at the wheel of the M-Class.

# The things for which you have room in your life should also fit into your Mercedes

Too good to waste it only on luggage: the load compartment

Its power is undisputed. But one of its biggest strengths is flexibility. Whether you're transporting people or things: the M-Class very easily complies with your needs.

For added stowage space and bulky cargo, the rear seats can be split 1/3 to 2/3, or folded down entirely, to give you a convenient loading

area. If you additionally fold up the seat cushions, you even get a load capacity of as much as 2050 litres.

When you load it, the M-Class assists you with a large tailgate that swings wide open. The low load compartment sill facilitates the stowing of heavy loads. Particularly long objects simply

can be through-loaded with the rear seat bench folded down. Your M-Class shows itself to be extremely capacious, and robust as well. This is true of the interior, and it's equally true of the handling under heavy load.

Whatever you want to take with you, the M-Class can handle it.





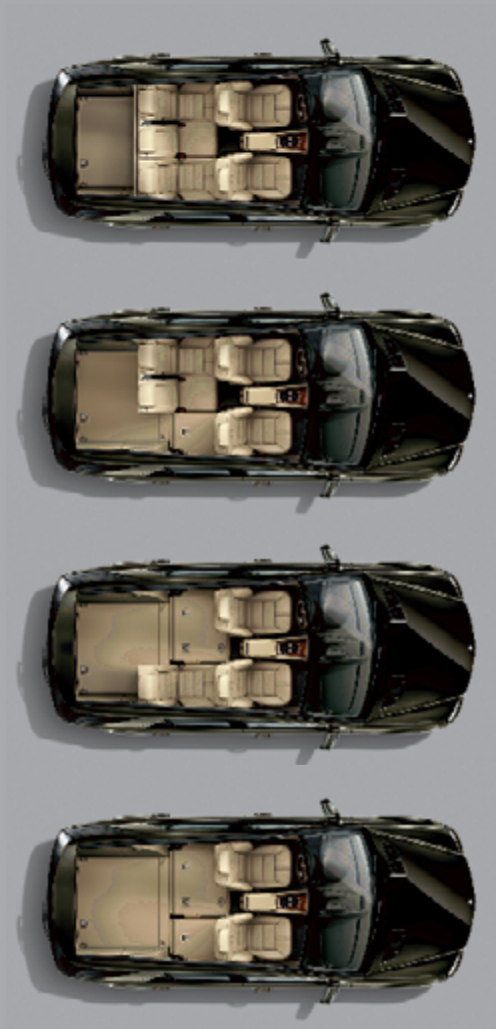
# Invitation to load

The interior “expands”

Freedom to take along whatever comes into your mind is guaranteed. The stowage facilities, compartments and nets in the cockpit and the rear seat area easily accommodate a large number of little things.

The load compartment has room for everything that’s big and bulky. As an optional extra you can also equip it with the load-securing rails of the EASY-PACK load-securing kit. Load-securing rings, a telescoping rail and a belt reel can be inserted and variably positioned in the rail.

There are six permanently fitted load-securing rings as standard which allow you to tie down luggage in the load compartment. You also can stow a part of the load in a stowage space underneath the load floor. In next to no time, everything can be perfectly stowed away and secured. The electrically opened and closed tailgate as an optional extra further enhances the convenience of loading. And so just about everything that has room in your life fits into the M-Class. The only thing there’s no room for is compromises.





# For others it's an expedition. For you it's a shortcut

Extended off-road capability thanks to the Off-Road Pro engineering package

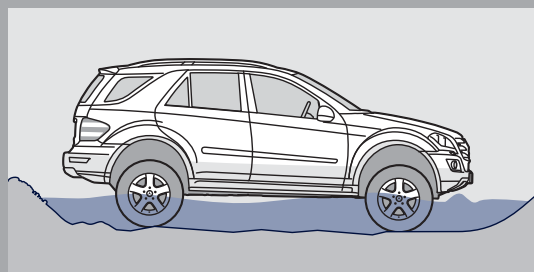
The greatest adventures await you in places which normally hardly anyone can reach – except you. For exploring extreme terrain the Off-Road Pro engineering package is available (not for ML 63 AMG). It enables you to increase the grip and cross-country mobility of the M-Class. The M-Class makes use of the electronically controlled damping system AIRMATIC to raise the vehicle's ride height by up to 90 millimetres to attain a fording depth of 600 millimetres. AIRMATIC

is standard in the ML 420 CDI and ML 500 and otherwise an optional extra.

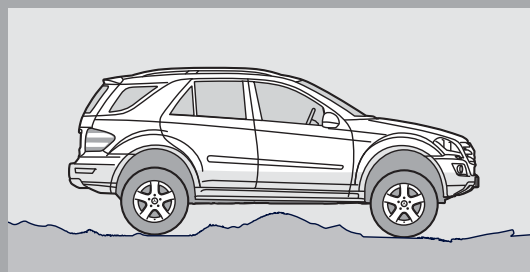
The underride guard included in the package defies debris, rocky crags and deep puddles. An M-Class with this equipment features angles of approach and departure of  $31^\circ$  and can handle  $35^\circ$  tilts with effortless superiority. Even one-in-one gradients can be overcome owing to a two-speed transfer case with a low range.

The Off-Road Pro engineering package adds the option of changing the 7-speed automatic transmission to manual mode while on the move or standing still. The gears then are selected by means of steering wheel gearshift paddles.

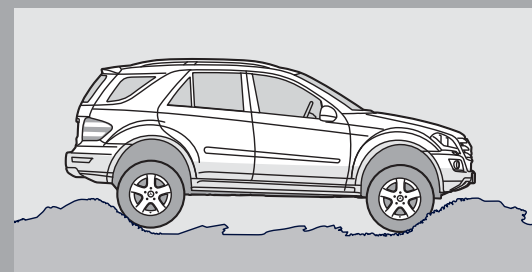
All of this helps make you feel at home anywhere with the Off-Road Pro engineering package. Even if you're three mountain chains away from home.



Maximum fording depth: 600 mm



Ground clearance: up to 299 mm



Angles of approach and departure: up to  $31^\circ$





# We don't like fickleness: 4MATIC with ESP®

All-wheel drive and trailer stabilisation - a solid connection

Even if you can't drive on water with the M-Class, it's the perfect way of getting to the water, especially if you have a boat in tow. One reason is the new mechanically folding trailer coupling. Technical advantages are another. The 4ETS Electronic Traction System and ESP® incorporate ABS, acceleration skid control and

active yaw control. In combination with 4MATIC, the permanent all-wheel drive, this makes for outstanding traction on practically any surface. The optional Off-Road Pro engineering package also demonstrates outstanding qualities in trailer operation, especially on slippery surfaces like wet grass and soft sand, or when

starting off on hills. In critical situations the ESP® trailer stabilisation comes to your assistance. Through selective braking of individual wheels it can keep the towing vehicle and trailer on course and reduce fishtailing. Even on stormy days.



Mercedes-Benz



4MATIC

S ON2609



# There are ways that only your M-Class knows before you do

Drive safe, stay safe - preventive occupant protection

A good feel for anything that may come your way: that could be a good definition of the active safety of the M-Class. "Attentive" sensors, anticipatory technology, and rapid reactions help to avoid and master critical situations.

In addition to the Electronic Stability Programm, the Electronic Traction System (4ETS) and 4MATIC, a large number of sensors that monitor vehicle behaviour and the driving situation watch over your safety. If they perceive the risk of an accident, the side windows and the tilting/

sliding sunroof may be closed and the front seat belts pretensioned.

Should the air in your tyres make itself scarce, the tyre pressure loss warning system notices immediately and tells you.

There's just one thing your subconscious knows better than any sensor: why it gives you a good feeling to sit in the safest SUV of its class, even if nothing happens.

# We rack our brains about your head

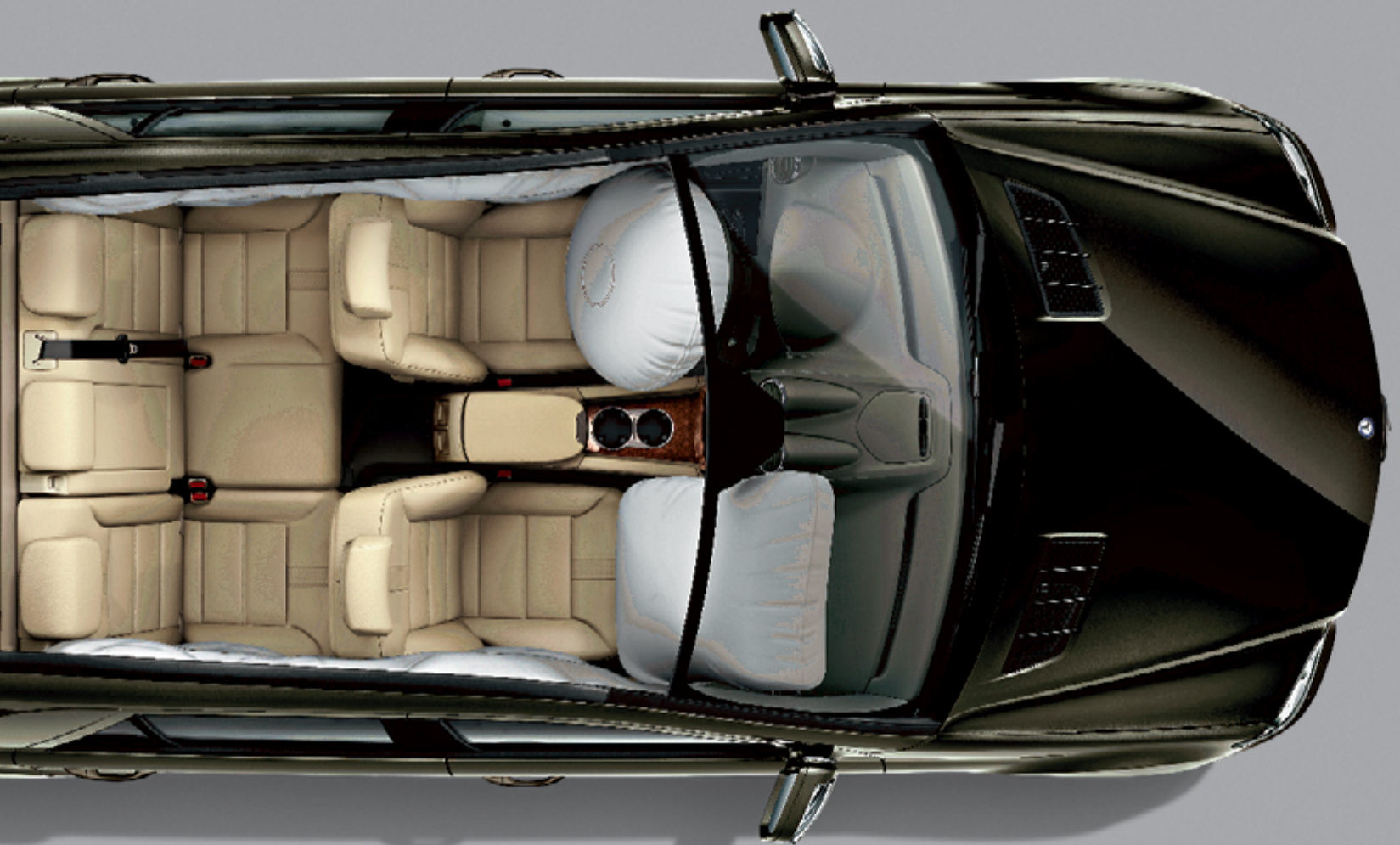
Prepared for almost anything - passive safety features

So that nothing happens to you if something happens, we've built the M-Class around a sturdy passenger cell. Additionally, it has energy-absorbing crumple zones and reinforced doors. Finally, the raised ride position complements this safety concept. So in the event of an accident your M-Class keeps severe blows and jolts from reaching you, if at all possible. We also want to protect your head and neck from them - with

adaptive airbags and NECK-PRO head restraints which automatically move towards the occupant's head to prevent the risk of whiplash injuries.

Windowbags for all seats and sidebags for driver and front passenger are standard equipment. Crash pads in the driver's footwell also are standard. Hopefully always a good trip too.





# Geography for the advanced

## The ML 63 AMG

Exclusivity doesn't begin with the ways you might go with the ML 63 AMG. The very sight of the ML 63 AMG shows: this is something special. It features an especially dynamic AMG front apron with a simulated underguard in mirror-finish chrome. But the ML 63 AMG doesn't suggest power and driving pleasure only when it's standing still: superior technology, design and dynamism make it an exciting experience.

The sound of the AMG 8-cylinder engine, with its output of 375 kW (510 hp) and torque of 630 Nm at 5200 rpm, rouses great expectations. In combination with the AMG sports suspension, based on the AIRMATIC package, and the AMG SPEEDSHIFT 7G-TRONIC, out on the road it kindles enthusiasm metre for metre.







# Enough power to keep on looking elegant even in the rough

ML 63 AMG - the AMG equipment details

Strong to the end – the ML 63 AMG loses none of its impact even at its tail. Its personality is shaped by a dominant AMG rear apron and the AMG sports exhaust system with two sets of twin chrome tailpipes. High-sheen 20-inch 5-spoke AMG light-alloy wheels, painted titanium grey, with tyres size 295/40, add to the powerful impression. Optionally, high-sheen 21-inch 5-twin-spoke AMG light-alloy wheels, painted titanium grey, for tyres size 295/35, are exclusively available for the ML 63 AMG.

Awaiting you inside are AMG sports seats covered with exquisite nappa leather featuring Alcantara

inserts in the shoulder area. The new AMG sports steering wheel with silver-coloured aluminium shift paddles and the AMG instrument cluster including RACETIMER create a racing atmosphere.



# Some set marks. You set exclamation marks

## The AMG bodystyling

Impressions can be heightened by the way you express yourself – with the new AMG bodystyling for your M-Class, for example. The AMG front apron with simulated underguard in matt chrome underscores the remarkably sporty character of the all-roader.

Face to face, the AMG bodystyling creates a strong impression also with its large-looking air intakes with their racing flair.

The result is an appearance that leaves few questions unanswered, except perhaps: What could be better looking?









ML 500



## Imagine a wonderful moment that doesn't pass

AMG bodystyling with 21-inch AMG light-alloy wheels

Noblesse oblige? Not only the front apron, but the powerful AMG rear apron, too, with its matt chrome underguard, is particularly expressive. Oval, chromed tailpipes in the AMG style with AMG lettering accentuate its impressive appearance.

You'll make an even more dynamic and sporty impression with large high-sheen 21-inch 5-twin-spoke AMG light-alloy wheels with tyre size 265/40.

My M-Class





# Mountaineer in chrome garb

Quickens the effect: the exterior and interior sports package



If you want to show your passion for sports wherever you go, we warmly recommend the sports package. It turns the M-Class into a demonstration of dynamism. Chrome trim emphasises its exclusivity, blue-tinted glass and square chromed tailpipes strike an especially expressive note. The simulated underguard gleams in stainless steel, the roof rails in aluminium look. The sterling-silver-painted radiator grille shines with chrome highlights.

The M-Class makes a great impression as it is, on its powerful 19-inch 5-twin-spoke light-alloy

wheels – but looks more distinctive and more aggressive still on optional 20-inch designer wheels or 21-inch 5-spoke AMG light-alloy wheels.

The interior also makes a very athletic impression. Brushed stainless steel sports pedals with rubber studs hurl a challenge at you, as it were. You have practically no other choice than to climb into the electrically adjustable sports seats, upholstered in an Alcantara/ARTICO man-made leather combination – and become a devotee.



RADIO

DISC

NAVI

TEL



SYS



ON



1

QW

2

ABC

3

DEF

4

GHI

5

JKL

6

MNO

7

PQRS

8

TUV

9

WXYZ

\*

+

0

#

↑



C





# If you want something from your M-Class, just talk to it

COMAND APS - sophisticated technology for simple operation and control

On board the M-Class the COMAND APS multimedia system with the new, even more user-friendly NTG 2.5 telematics generation combines the entertainment and navigation functions in a central facility. Route guidance and films are displayed on the generous, ergonomically positioned 6.5-inch colour display. With the optionally available TV tuner you can even watch television. You can navigate through

all of Europe with the integral hard disc, on which you also have 4 GB of memory for audio files in MP3 or WMA format.

The CD/DVD drive for audio or video is within easy reach, and the optional media interface permits you to connect COMAND APS with any USB data source. For example, to play music from your MP3 player.

And if you don't want to enjoy music, talk with your M-Class. LINGUATRONIC, the voice control system which is standard for COMAND APS and optional for other systems, makes your M-Class prick up its ears - functions like the radio or telephone respond to a simple command from you. Even if you speak a dialect.

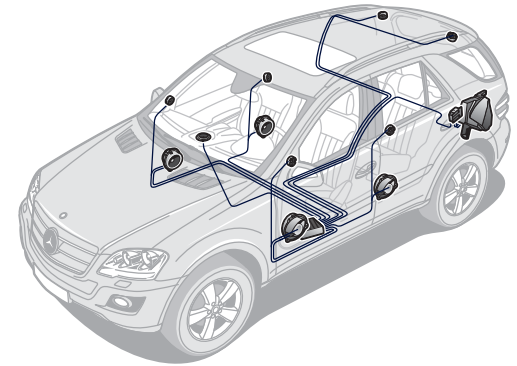
# Now your MP3's can ride in a Mercedes too

## The M-Class audio systems

The audio systems impress with improved user-friendliness, high performance, and a range of new functions. A standard-fit feature is the Bluetooth hands-free system. An aux-in connection for mobile audio devices such as an iPod is also integrated. As an optional extra a media interface can be had that connects your external music memory with the control system of the M-Class. The music tracks then can be displayed in the instrument cluster or on the colour display of the centre console and conveniently selected with the buttons of the

multifunction steering wheel. Audio 20 APS offers a CD drive as standard, Audio 50 APS a DVD drive; both feature speed-dependent volume control, colour display, double tuner for improved radio reception, and a telephone keypad.

You enjoy a genuine surround sound experience with the optionally available Harman Kardon® Logic 7® surround sound system of the latest generation. With 610 watts, 12 loudspeakers and digital signal processor (DSP) it ensures exceptionally clear and pleasurable listening.



Specially placed high-performance loudspeakers deliver sound of incomparable richness.



RADIO DISC

⏪ TEL

🔊 SYS

📞

⏩

ON

TA

FM 92.2 MHz

• SWR1 Bw	2. SWR4 S
	SWR3
• SWR2 Bw	• 89.5 MHz

Radio Speicher Klang

1 QWERTZ  
2 ABC  
3 DEF

4 GHI  
5 JKL  
6 MNO

7 PQRS  
8 TUV  
9 WXYZ

\* +  
0  
# ↕

↶ C

⬆️  
⬅️ OK ➡️  
⬇️

18 20 22 24 26  
AUTO

🌬️ MAX

🌀

🛖

22

# The remarkable is the standard

## Standard equipment

Like the roads and tracks you drive down in the M-Class, the M-Class itself is something special. The standard off-road switch in the centre console lets you become aware of this. With this feature, neither a poor road nor a proper gravel track can be a disagreeable experience, because you simply prime the M-Class to handle them.

An agreeable temperature is ensured by the THERMATIC automatic climate control. And even the changing of gears is done with convenience: using DIRECT SELECT and gearshift paddles on the steering wheel. Crash-responsive NECK-PRO head restraints behind you enhance your safety.

For your pleasure, simply switch on the Audio 20 audio system, and off you go.



The THERMATIC automatic climate control ensures a relaxed ride



The DIRECT SELECT lever

**STANDARD EQUIPMENT (SELECTION)**


---

 17-inch light-alloy wheels (ML 280 CDI, ML 320 CDI, ML 350)
 

---



---

 19-inch light-alloy wheels (ML 420 CDI, ML 500)
 

---



---

 20-inch AMG light-alloy wheels (ML 63 AMG)
 

---



---

 7G-TRONIC 7-speed automatic transmission
 

---



---

 Adaptive brake lights
 

---



---

 Airbags for driver and front passenger, with two-stage deployment
 

---



---

 Anti-lock braking system ABS
 

---



---

 Armrest in front, with compartment
 

---



---

 Audio 20 CD (with colour display, MP3 capability and Bluetooth hands-free system)
 

---



---

 Aux-in connection in the glove compartment, for external audio devices
 

---



---

 Brake Assist BAS
 

---



---

 Dark-tinted tail lights
 

---



---

 DIRECT SELECT gearshift with steering-wheel gearshift paddles
 

---



---

 Door centre panel in ARTICO man-made leather
 

---



---

 Downhill Speed Regulation (DSR)
 

---



---

 Electronic Stability Program (ESP®)
 

---



---

 Electronic Traction System 4ETS for all-wheel drive
 

---



---

 Exhaust system, twin-pipe, with exposed tailpipes
 

---



---

 Exit lights (4) in front and rear doors
 

---



---

 'Fasten seat belt' warning for front seats
 

---



---

 Fog lamps
 

---



---

 Headlamp Assist
 

---



---

 Heated exterior mirrors, electrically adjustable
 

---



---

 Leather multifunction steering wheel
 

---



---

 Load compartment cover
 

---



---

 NECK-PRO head restraints for front seats
 

---



---

 Outside temperature display
 

---



---

 Permanent all-wheel drive
 

---



---

 Power windows (4) with one-touch control
 

---



---

 PRE-SAFE® system
 

---



---

 Rear bench seat, split-folding (1/3: 2/3)
 

---



---

 Roll-over sensor
 

---



---

 Roof rails/pre-installation for roof-mounted carriers
 

---



---

 Sidebags for driver and front passenger
 

---



---

 Simulated front underguard, silver-coloured
 

---



---

 Speed-sensitive power steering
 

---



---

 THERMATIC automatic climate control
 

---



---

 Third brake light featuring LED technology
 

---



---

 Tyre pressure loss warning system
 

---



---

 Windowbags for driver, front passenger and rear passengers
 

---

# We've already taken your wishes into account

## Optional extras

### OPTIONAL EXTRAS (SELECTION)

---

21-inch 5-spoke AMG light-alloy wheels, high sheen

---

Anti-theft alarm system with tow-away protection

---

Auxiliary heater

---

AMG bodystyling (standard for ML 63 AMG)

---

Audio 50 APS (plus DVD arrow-based navigation and junction-zoom function)

---

Aluminium-look running boards (standard for ML 63 AMG)

---

Bi-xenon headlamps with active light function, headlamp cleaning system, dynamic headlamp range adjustment, cornering light function in bumper and LED tail lights in clear-lens look

---

COMAND APS, control and display system for audio, navigation and telephone, incl. high-resolution 6.5-inch display, hard-drive navigation, MUSIC REGISTER and LINGUATRONIC voice control system

---

CD changer for 6 CDs, MP3-compatible

---

### COMFORT

---

DVD changer (for 6 DVDs)

---

Dark-tinted glass for rear side windows and rear windscreen

---

### DESIGN

---

Dashboard in ARTICO man-made leather

---

EASY-PACK tailgate, hydraulically operated (can also be closed by pressing button on vehicle key)

---

Electrically adjustable front seats, with memory package (driver's seat, steering column and exterior mirrors electrically adjustable, with memory function)

---



---

EASY-PACK load-securing kit with load-securing rails and removable rear seat cushions

---

Heated seats for driver and front passenger (standard for ML 63 AMG)

---

Headlamp cleaning system

---

Heated windscreen washer system including heated washer nozzles

---

Lumbar support with 4-way electric adjustability

---

Multicontour seats for driver and front passenger (standard for ML 63 AMG)

---

### PARKTRONIC

---

Rear-seat entertainment system

---

### RADIO/COMMUNICATION

---

Sidebags in rear

---

### SAFETY

---

Tilting/sliding glass sunroof, electric

---

THERMOTRONIC luxury automatic climate control

---

Trailer coupling, folding

---

Wood/leather multifunction steering wheel

---

Windscreen wipers with rain sensor (standard for ML 420 CDI, ML 500, ML 63 AMG)

---

Harman Kardon® Logic 7® surround sound system with 12 loudspeakers

---

Your wish is our command: furnish your M-Class with even more exclusive appointments. For example, with the rear-seat entertainment system

with 8-inch screens, wireless headphones and remote control. Or with leather, in a two-tone interior complete with black roof lining.

The driver also profits from the DISTRONIC automatic proximity control – and the parking comfort afforded by the PARKTRONIC parking aid.



Rear-seat entertainment system with two screens in the front head restraints



Tilting/sliding glass sunroof, electric

If you like to drive a very exclusive Mercedes, but don't have time to ponder over every detail of the equipment, you're in good hands with the M-Class.

Two appointment packages assembled to meet the most sophisticated demands, plus the sports package, are always a good choice. The only thing you have to decide now is which of the packages best suits you.



Leather-covered dashboard



Wood/leather multifunction steering wheel



Tail light in clear-lens look, with LED technology



Aluminium-look running boards



## EXTERIOR

---

AIRMATIC package (standard for ML 420 CDI, ML 500 und ML 63 AMG):  
air suspension, front/rear, with level control, Adaptive Damping System (ADS)

---

AMG bodystyling<sup>1</sup>

Front and rear apron with underguard in matt chrome, AMG oval tailpipes (chromed).

See pages 46 to 49

---

Off-Road Pro engineering package<sup>2</sup>

Two-speed transfer case with low-range reduction gearing, automatic or manually selectable multiple-disc lock in transfer case with up to 100% locking effect, manually lockable rear-axle differential with 100% multiple-disc lock, front-axle locking as required with ETS brake intervention, extended adjustment options for air suspension system (30 mm increase in ground clearance versus AIRMATIC package), selectable transmission control mode (Standard (S) or Manual (M)), compass, override guard

---

Exterior sports package<sup>2</sup>

Chromed square tailpipes, roof rail in aluminium look, chrome trim (rub strip, shoulder line trim strip), chromed load sill guard on rear bumper, sterling silver radiator grille with chrome, 5-twin-spoke light-alloy wheels (4), 8 J x 19 ET 60, tyre size 255/50 R 19, simulated underguard front and rear (stainless steel), blue-tinted windows all round

---

## INTERIOR

---

Interior sports package<sup>2</sup>

Front sports seats, electrically adjustable, with 4-way lumbar support on driver's side; sports instrument cluster, interior lighting package (door handle illumination, front/rear, illuminated stowage compartment and illuminated cup holder in front centre console, footwell lighting in rear); Alcantara / ARTICO man-made leather upholstery combination with contrasting stitching and five-section cross-fluting; brushed stainless steel sports pedals with rubber studs (incl. foot-operated parking brake)

---

designo

see pages 68 to 71

---

<sup>1</sup> Standard for ML 63 AMG with specific front and rear apron

<sup>2</sup> Not available for ML 63 AMG

## An adornment in any setting

Numerous wheel designs are available for the M-Class, depending on the engine size. A 17-inch and an 18-inch wheel, two 20-inch and two 21-inch wheels, and three 19-inch wheels accentuate the off-roader's expressive appeal.



High-shine 21-inch 5-twin-spoke AMG light-alloy wheel, painted in titanium grey (optional for ML 63 AMG)



17-inch 7-spoke light-alloy wheel  
(standard on V6 models)



19-inch 5-twin-spoke light-alloy wheel  
(included in sports package)



19-inch 5-spoke light-alloy wheel  
(standard for V8 models, optional for V6 models)



20-inch 5-spoke AMG light-alloy wheel  
(standard on ML 63 AMG)



18-inch 5-spoke light-alloy wheel  
(at no extra charge, optional for V6 models)



19-inch 5-spoke light-alloy wheel with  
mixed-size tyres (optional)



20-inch 5-twin-spoke light-alloy wheel  
(optional)



21-inch 5-spoke AMG light-alloy wheel  
(optional extra, not for ML 63 AMG)



## Space to be oneself

Driving a Mercedes-Benz is more than “just” a fine experience. It can also be a very practical thing – owing to useful accessories like the aerodynamic roof box or the ski and snowboard rack. If you prefer adding more optical highlights, of course you can also have incenio designer wheels. Along with any number of other accessories which show, apart from the fact that you like versatility: only one thing is a perfect fit for a Mercedes-Benz – genuine accessories from Mercedes-Benz. For details, please see our accessories brochure, or contact your Mercedes-Benz dealer for advice.

More scope for personal wishes: incenio designer wheels, rub strips with running board elements, basic carrier bars and ski and snowboard rack



The practical roof box in three sizes, fitted to the basic carrier bars



Media interface consumer cable consisting of 3 cables, for connecting your iPod models and equipment with a USB or aux-in connection

# Every stitch a masterpiece

The designo range

Unique things are created by unique means. The designo range is no exception. The finest materials become fine wood trim and exquisite leather upholstery. Every piece is selected with great care and processed by experienced hands. You feel designo every time you touch a seam, you recognise it every time you look at one of the perfectly sealed surfaces, you smell it every time you smell the genuine leather, and you know it. After all, you yourself have created it: your personal work of art – the M-Class designo.









# A touch of finesse

## The designo details

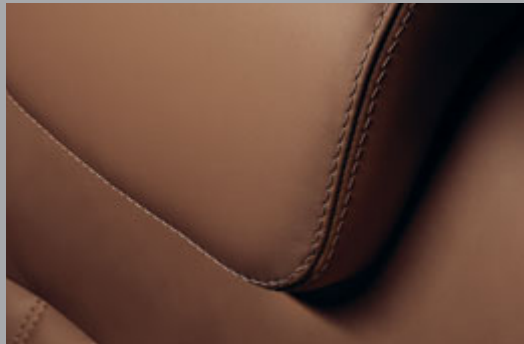
The designo appointments help you make your personal wishes reality. The prerequisite, of course, is a large range of available colours. But all four leather colours have one thing in common: character. The sports seats in high-grade designo leather are available in the colours designo black, designo cashmere beige, designo porcelain and

designo light brown. The comfortable seats have an attractive, sporty design with seven-section longitudinal fluting and a matt chromed designo badge. In addition, the lid of the armrest between the front seats and the door centre panels also are in the chosen designo leather colour.

The trim parts that go with the designo appointments are available in designo brown poplar or designo umber maple grain. The designo appointments are rounded off with high-quality designo velour floor mats with black designo leather edging and a metal designo badge.



The exclusive leather instrument cluster



designo stands for carefully chosen materials

The M-Class paintwork puts the finishing touch to the carefully crafted Mercedes-Benz corrosion protection system, which includes zinc phosphating and electrophoretic dip priming of the body for long-lasting protection. We also make very extensive use of eco-friendly water-based paints.

## NON-METALLIC PAINT



040 black



650 calcite white

## METALLIC PAINT



197 obsidian black



300 periclase green



359 tanzanite blue

SPECIAL METALLIC PAINTS



544 carneol red



798 sanidine beige



349 lasurite blue



723 cubanite silver

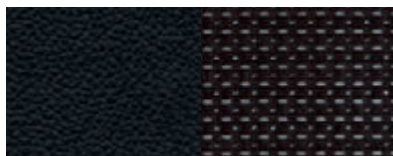


474 peridot brown



775 iridium silver

ARTICO MAN-MADE LEATHER/  
ASPEN FABRIC<sup>1</sup>



001 black

ARTICO MAN-MADE LEATHER/  
ALCANTARA FABRIC<sup>2</sup>



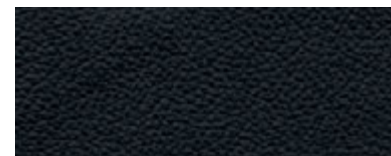
911 black

ARTICO MAN-MADE LEATHER<sup>3</sup>



151 black

LEATHER<sup>4</sup>



221 black<sup>5</sup>



918 alpaca grey



154 cashmere beige



224 cashmere beige<sup>5</sup>



158 alpaca grey



228 alpaca grey<sup>5</sup>

<sup>1</sup> Standard for ML 280 CDI, ML 320 CDI and ML 350

<sup>2</sup> Optional extra, only in conjunction with interior sports package

<sup>3</sup> Optional extra, standard for ML 420 CDI and ML 500

<sup>4</sup> Optional extra

<sup>5</sup> ML 63 AMG, nappa leather trim as standard (available in black, cashmere beige and alpaca grey)

<sup>6</sup> Not available for the ML 63 AMG

designo nappa leather<sup>6</sup>



264 cashmere beige/black



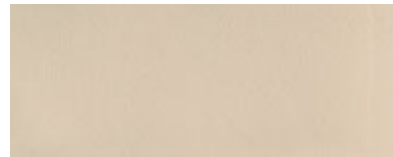
X11 black



268 alpaca grey/black



X25 cashmere beige

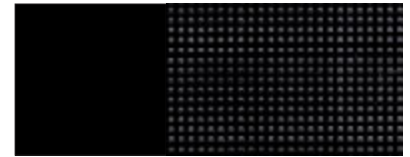


X27 porcelain



X35 light brown

TRIM ELEMENTS



739 aluminium silver/black



H04 bird's-eye poplar



729 anthracite poplar with chrome highlights



731 burr walnut with chrome highlights



# Paintwork and upholstery – the combination options

	ARTICO MAN-MADE LEATHER/ASPEN FABRIC <sup>1</sup>	black	ARTICO MAN-MADE LEATHER/ALCANTARA <sup>2</sup>	black	alpaca grey	ARTICO MAN-MADE LEATHER <sup>3</sup>	black	cashmere beige	alpaca grey	LEATHER <sup>4,5</sup>	black	cashmere beige	alpaca grey	cashmere beige/black	alpaca grey/black
<b>NON-METALLIC PAINT</b>															
black	●		●	●			●	●	●		●	●	●	●	●
calcite white	●		●	●			●	○	●		●	○	●	○	●
<b>METALLIC PAINT</b>															
obsidian black	●		●	●			●	●	●		●	●	●	●	●
periclase green	●		●	○			●	●	○		●	●	○	●	○
tanzanite blue	●		●	●			●	○	●		●	○	●	○	●
carneol red	●		●	●			●	●	●		●	●	●	●	●
cubanite silver	●		●	●			●	△	●		●	△	●	△	●
iridium silver	●		●	●			●	○	●		●	○	●	○	●
sanidine beige	●		●	△			●	●	△		●	●	△	●	△
<b>SPECIAL METALLIC PAINTS</b>															
lasurite blue	●		●	●			●	△	●		●	△	●	△	●
peridot blue	●		●	○			●	●	○		●	●	○	●	○

● Recommended

○ Possible

△ Not recommended

<sup>1</sup> Standard for ML 280 CDI, ML 320 CDI and ML 350<sup>2</sup> Optional extra, only in conjunction with interior sports package<sup>3</sup> Optional extra, standard for ML 420 CDI and ML 500<sup>4</sup> Optional extra<sup>5</sup> ML 63 AMG, nappa leather trim as standard (available in black, cashmere beige and alpaca grey)

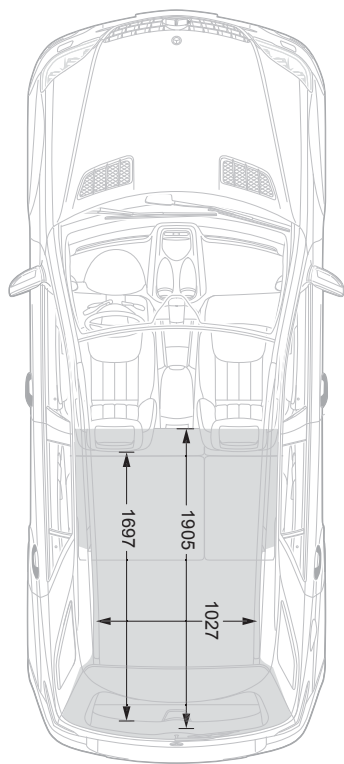
	ML 280 CDI 4MATIC	ML 320 CDI 4MATIC	ML 420 CDI 4MATIC	ML 350 4MATIC	ML 500 4MATIC	ML 63 AMG 4MATIC
No. of cylinders/arrangement	6/V	6/V	8/V	6/V	8/V	8/V
Total displacement (cc)	2987	2987	3996	3498	5461	6208
Rated output <sup>1</sup> (kW at rpm)	140/4000	165/3800	225/3600	200/6000	285/6000	375/6800
Rated torque <sup>1</sup> (Nm at rpm)	440/ 1400–2800	510/ 1600–2800	700/2000–2600	350/2400–5000	530/2800–4800	630/5200
Top speed, approx. (km/h)	205	215	235	225	250	250 <sup>2</sup>
Acceleration from 0 to 100 km/h (s)	9.8	8.6	6.5	8.4	5.8	5.0
Tyre size	235/65 R 17	235/65 R 17	255/50 R 19	235/65 R 17	255/50 R 19	295/40 R 20
Fuel	Diesel	Diesel	Diesel	Premium unleaded	Premium unleaded	Super Plus
Fuel consumption <sup>3</sup> (l/ 100 km)						
urban	11.8–12.8	11.9–12.8	14.2–14.6	14.9–15.4	17.6	24.1
extra-urban	7.6–7.8	7.8	8.5–9.1	9.0–9.7	10.0	12.2
combined	9.1–9.6	9.3–9.6	10.6–11.0	11.2–11.8	12.8	16.5
CO <sub>2</sub> emissions <sup>3</sup> (combined) (g/km)	241–254	245–254	279–292	266–281	304	392
Kerb weight <sup>4</sup> (kg)	2185	2185	2315	2135	2185	2310
Permissible GVW (kg)	2830	2830	2950	2830	2830	2880
Perm. towing capacity <sup>5</sup> (kg)						
braked/unbraked	3500/750	3500/750	3500/750	3500/750	3500/750	3500/750
Load capacity (litres)						
max. behind 2 <sup>nd</sup> row of seats	833	833	833	833	833	833
max. behind 1 <sup>st</sup> row of seats	2050	2050	2050	2050	2050	2050

\*All figures are provisional

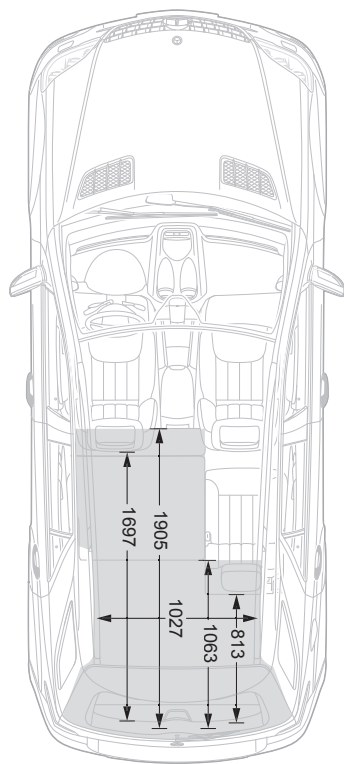
<sup>1</sup>Figures according to Directive 80/1269/EEC in the currently applicable version   <sup>2</sup>Electronically governed   <sup>3</sup>The figures shown were obtained in accordance with the prescribed measuring process (Directive 80/1268/EEC in the currently applicable version). The figures are not based on an individual vehicle and do not constitute part of the product offer; they are provided solely for purposes of comparison between different vehicle models. For further information on the official fuel consumption and official specific CO<sub>2</sub> emissions of new passenger cars, please refer to the "Guide to the fuel consumption and CO<sub>2</sub> emissions of new passenger cars", which is available free of charge at all points of sale and from Deutsche Automobill Treuhand GmbH   <sup>4</sup>Figures according to Directive 92/21/EC as amended by 95/48/EC (kerb weight with fuel tank 90 % full, driver, 68 kg, and luggage, 7 kg) for standard-specification vehicles. Optional extras and accessories will generally increase this figure and reduce the payload capacity accordingly   <sup>5</sup>Including drawbar load of 140 kg



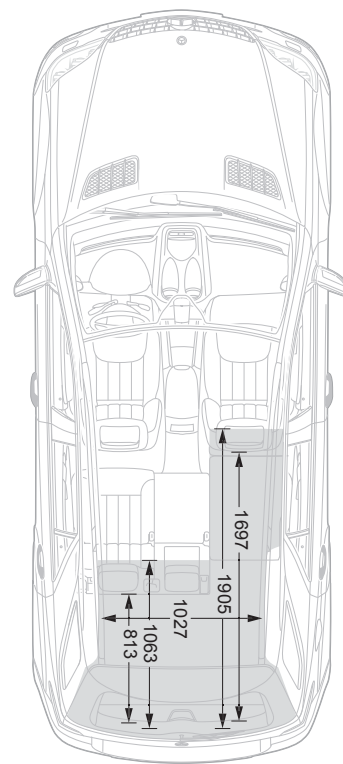
# The dimensions of the M-Class



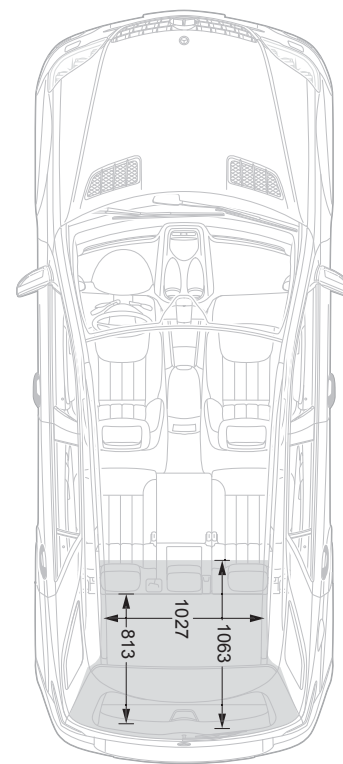
2 seats



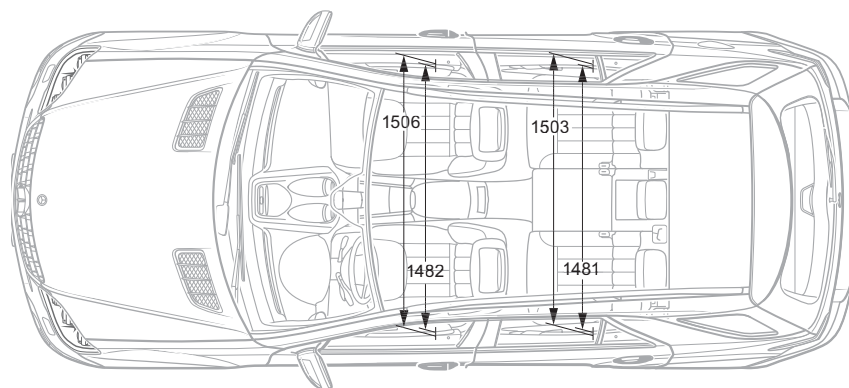
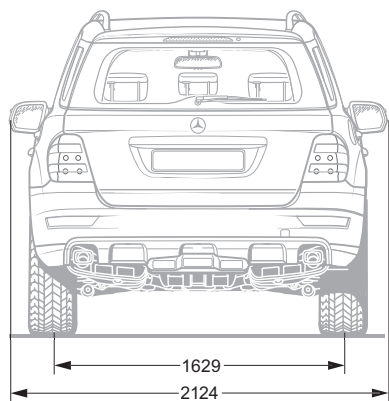
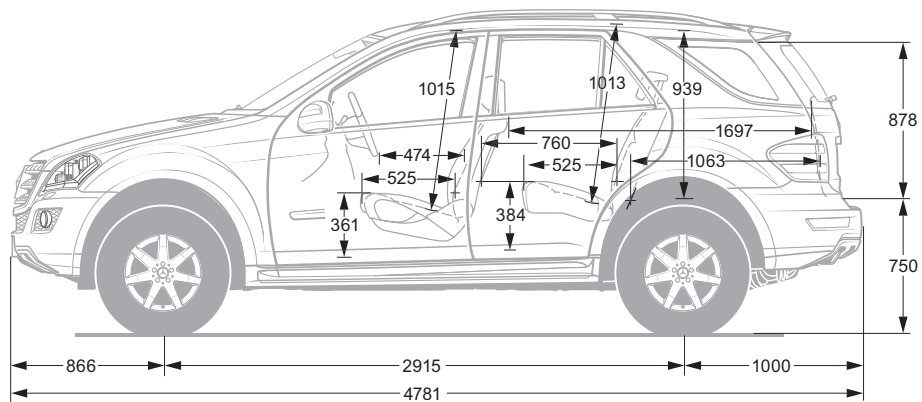
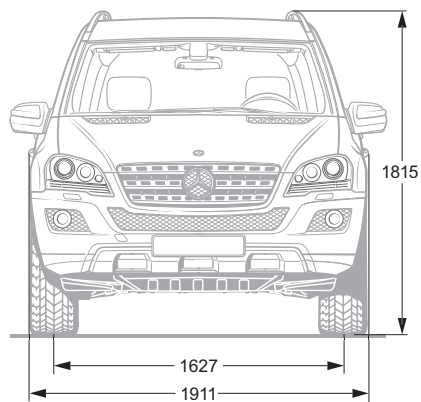
3 seats



4 seats



5 seats



All figures in mm. The dimensions shown are mean values and apply to unladen vehicles featuring the optional extra off-road styling package



# Anyone opting for a Mercedes buys far more than just a car

## Comprehensive service offered by Mercedes-Benz

**Service24h.** The feel-good factor, which kicks in when you sit behind the wheel of your new Mercedes for the first time, is further enhanced by the knowledge that Mercedes-Benz Service24h is there for you around the clock – 365 days a year. Experience shows that your Mercedes model is extremely unlikely to suffer a technical problem or breakdown. And even if the unthinkable happens, you can always count on Mercedes-Benz Service24h, wherever you are in Europe. Just call our Service Hotline on 00800 1 777 7777\* at any time. One of our specialists will take your call and arrange professional assistance for you immediately. By the time you put down the phone, our Service24h team will be getting ready to make their way to you. It will often be possible to sort out the problem at the scene. If this is not the case, however, we will of course arrange for your car to be taken to the nearest Mercedes-Benz workshop.

**MercedesCard.** It acts as your ticket to the world of Mercedes-Benz and doubles as a handy credit card. And if you complete the annual questionnaire, there's no fee to pay either. In the regular MercedesCard Journal you'll find details of sporting, cultural and travel offers which have been specially selected for you as well as attractive products. The Mercedesmagazine features interesting articles about the Mercedes-Benz brand. Your Mercedes-Card VISA also gives you free entry to the Mercedes-Benz Museum.

All further information about the offers can be found at [www.mercedes-benz.de/mercedescard](http://www.mercedes-benz.de/mercedescard)

Information about the MercedesCard in Austria and Switzerland can be found on the Mercedes-Benz websites for these countries.

**Mercedes-Benz Bank.** If you already have your heart set on your dream car and want to remain financially flexible, you may be interested in our range of financial services. We are your one-stop shop for leasing, financing, insurance and service packages. Our easy-to-use online calculator allows you to work out your monthly payments in advance. As well as tailored financial services for your car, we also offer an attractive range of investment products, including instant-access savings accounts, fixed-interest products and investment funds. For further information, please call us on 01803/32 22 65 (9 ct/min from Deutsche Telekom landlines, charges for calls from mobile phones may vary) or visit us at: [www.mercedes-benz-bank.de](http://www.mercedes-benz-bank.de)

\*Freephone number, mobile-phone rates may differ. In non-affiliated European countries: +49 69 95 30 72 77



## Enrich your experience

Test drive the vehicle of your dreams

A Mercedes is most at home on the road. This is the only way to experience the effortlessly superior driving feel that makes every model so special. Feel the power of the engine as it propels the car forwards. And marvel at the precise steering, designed to put you in the mood for driving. The unique feeling of driving a Mercedes cannot be gleaned from a brochure. Which is why we'd like to invite you to take a test drive. Your Mercedes-Benz dealer will be happy to make all the necessary arrangements for you. Simply visit [www.mercedes-benz.de](http://www.mercedes-benz.de) to locate your nearest Mercedes-Benz dealer. We look forward to seeing you.

You can also go online. Here you will find our Interactive Owner's Manual containing informative clips and simulations. So you can familiarise yourself with how your favourite model works straight away. For further details, visit: [www.mercedes-benz.de/betriebsanleitung](http://www.mercedes-benz.de/betriebsanleitung)

**Take-back of end-of-life vehicles.** Coming full circle at the end of its long life, you can return your M-Class to us for environment-friendly disposal in accordance with the EC End-Of-Life Vehicle Directive<sup>1</sup>. But that day lies a long way off.

<sup>1</sup>Applies in accordance with national regulations to vehicles up to 3.5 tonnes gross weight. Mercedes-Benz passenger cars have met the statutory regulations governing the suitability of their design for reuse and recycling for a number of years now. A network of vehicle take-back depots and dismantlers has been established which will process your vehicle in an environment-friendly manner. The ways in which both vehicles and parts can be recovered are subject to ongoing development and improvement. Consequently, the G-Class will be able to comply with any future increases in the recycling quota within the stipulated time limits. For further information, call 00800 1 777 7777.

**Please note:** changes may have been made to the product since this brochure went to press (14.04.2008). The manufacturer reserves the right to make changes to the design, form, colour and specification during the delivery period, provided these changes, while taking into account the interests of the vendor, can be deemed reasonable with respect to the purchaser. Where the vendor or the manufacturer uses symbols or numbers to describe an order or the subject of an order, no rights may be derived solely from these. The illustrations may show accessories and items of optional equipment which are not part of standard specification. Colours may differ slightly from those shown in the brochure, owing to the limitations of the printing process. This brochure has been compiled by Daimler AG of Germany and is distributed internationally. It provides a general indication of the range of models, features, optional extras and/or colours available in various countries. Some of the models, features, optional extras and/or colours may not be available in your country, or may only be available in a different specification. Additionally some models, features, optional extras and/or colours may only be available in combination with others. For current and more specific information in relation to the range of models, features, optional extras and/or colours available in your country, and their pricing, you should contact your nearest authorised Mercedes-Benz Passenger Car Dealer.  
[www.mercedes-benz.com](http://www.mercedes-benz.com)