



January 2008

# Vito Van & Crew Cab Specifications

Mercedes-Benz



# Mercedes-Benz Technical Data

## Van

Engine Specification				
Model	Vito 109 CDI	Vito 111 CDI		
Body Style	Compact	Compact	Long High Roof	Extra Long
Engine	Diesel turbocharged & intercooled	Diesel turbocharged & intercooled		
No. of cylinders	4/in line	4/in line		
Bore/stroke (mm)	88.0/88.3	88.0/88.3		
Total displacement (cc)	2148	2148		
Rated output (kW @ rpm)	70kW @ 3800rpm	85kW @ 3800rpm		
Max torque (Nm @ rpm)	250Nm @ 1400-2400rpm	290Nm @ 1600-2400rpm		
Fuel Supply	Common rail-direct injection (CDI)	Common rail-direct injection (CDI)		
Fuel tank capacity (litres)	Approx. 75	Approx. 75		
Fuel consumption <sup>1</sup> (litres/100km)	8.9	8.1	9.0	8.1
Transmission				
Type	6 Speed Manual	6 Speed Manual (Opt 5-Speed Automatic)		
Drive	Rear Wheel	Rear Wheel		
Weightings & Capacities (kg)				
Permissible front axle load	1550	1550		
Permissible rear axle load	1550	1550		
Gross vehicle mass	2940	2940		
Unladen weight <sup>2</sup>	1790	1790	1855	1840
Payload capacity	1150	1150	1085	1100
Trailer load with brakes <sup>3</sup>	2000	2000		
Trailer load without brakes <sup>3</sup>	750	750		
Max roof load (kg)	150	150	50	150
Dimensions (mm)				
Wheelbase	3200	3200	3200	3430
Length	4748	4748	4993	5223
Width	1901	1901		
Height	1902	1902	2329	1900
Rear overhang	765	765	1010	1010
Floor loading height	556	556	562	560
Load compartment (LxWxH) <sup>4</sup>	2224x1650x1353	2224x1650x1353	2470x1650x1760	2700x1650x1348
Load volume (m <sup>3</sup> )	4.65	4.65	6.49	5.68
Sliding door opening (WxH)	985 x 1259	985 x 1259		
Tailgate opening (WxH)	1396 x 1264	1396 x 1264	na	1396 x 1264
Barn door opening (WxH)			1396 x 1630	
Other Specification				
Turning circle (m)	11.8	11.8	11.8	12.5
Rear axle ratio	3.727	3.455		
Rim (inches)	6.5Jx16	6.5Jx16		
Tyre profile	205/65 R16	205/65 R16		
Battery	12V/74Ah	12V/74Ah		
Alternator	14V/180A	14V/180A		

1/ The above fuel consumptions are in accordance with ADR 81/01 under the Motor Vehicles Standard Act 1989. 2/ Unladen tare weight of vehicle, including spare wheel, jack, tools and 10 litres fuel. Weight are intended as a guide only. For accuracy the actual vehicle should always be weighed to determine the exact tare weight for the specification ordered. Weight tolerance of up to +5% in production, and additional weight of optional equipment must be taken into consideration. 3/ Maximum towing capacities depend on individual state legislation. 4/ Additional load length available under front seats. Note: Drawings are general arrangement drawings only and should not be relied upon. Contact your local authorised dealer if you require more specific information.

# Mercedes-Benz Technical Data

## Van

Engine Specification					
Model	Vito 115 CDI			Vito 120 CDI	
Body Style	Compact	Long High Roof	Extra Long	Extra Long	
Engine	Diesel 2 stage turbocharged & intercooled			Diesel multi-stage turbocharged & intercooled	
No. of cylinders	4/in line			V6	
Bore/stroke (mm)	88.0/88.3			83.0/92.0	
Total displacement (cc)	2148			2987	
Rated output (kW @ rpm)	110kW @ 3800rpm			150kW @ 3800rpm	
Max torque (Nm @ rpm)	330Nm @ 1800-2400rpm			440Nm @ 1600-2400rpm	
Fuel Supply	Common rail-direct injection (CDI)			Common rail-direct injection (CDI)	
Fuel tank capacity (litres)	Approx. 75			Approx. 75	
Fuel consumption <sup>1</sup> (litres/100km)	8.6	9.2	8.6	9.2	
Transmission					
Type	5 Speed Automatic			5 Speed Automatic	
Drive	Rear Wheel			Rear Wheel	
Weightings & Capacities (kg)					
Permissible front axle load	1550			1550	
Permissible rear axle load	1550			1550	
Gross vehicle mass	2940			2940	
Unladen weight <sup>2</sup>	1790	1855	1840	1920	
Payload capacity	1150	1085	1100	1020	
Trailer load with brakes <sup>3</sup>	2000			2000	
Trailer load without brakes <sup>3</sup>	750			750	
Max roof load (kg)	150	50	150	150	
Dimensions (mm)					
Wheelbase	3200	3200	3430	3430	
Length	4748	4993	5223	5223	
Width	1901			1901	
Height	1902	2329	1900	1900	
Rear overhang	765	1010	1010	1010	
Floor loading height	556	562	560	560	
Load compartment (LxWxH) <sup>4</sup>	2224x1650x1353	2470x1650x1760	2700x1650x1348	2700x1650x1348	
Load volume (m <sup>3</sup> )	4.65	6.49	5.68	5.68	
Sliding door opening (WxH)	985 x 1259			985 x 1259	
Tailgate opening (WxH)	1396 x 1264	na	1396 x 1264	1396 x 1264	
Barn door opening (WxH)	1396 x 1630				
Other Specification					
Turning circle (m)	11.8	11.8	12.5	12.5	
Rear axle ratio	3.273			2.923	
Rim (inches)	6.5Jx16			7Jx17	
Tyre profile	205/65 R16			225/55 R17	
Battery	12V/74Ah			12V/74Ah	
Alternator	14V/180A			14V/180A	

1/ The above fuel consumptions are in accordance with ADR 81/01 under the Motor Vehicles Standard Act 1989. 2/ Unladen tare weight of vehicle, including spare wheel, jack, tools and 10 litres fuel. Weight are intended as a guide only. For accuracy the actual vehicle should always be weighed to determine the exact tare weight for the specification ordered. Weight tolerance of up to +5% in production, and additional weight of optional equipment must be taken into consideration. 3/ Maximum towing capacities depend on individual state legislation. 4/ Additional load length available under front seats. Note: Drawings are general arrangement drawings only and should not be relied upon. Contact your local authorised dealer if you require more specific information.

# Mercedes-Benz Technical Data

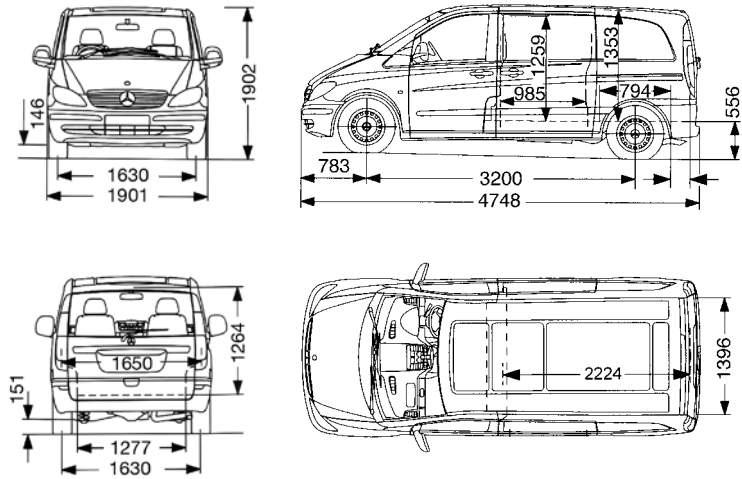
## Crew Cab

Engine Specification			Vito 111 CDI		Vito 115 CDI		Vito 120 CDI	
Model	Vito 111 CDI		Vito 115 CDI		Vito 120 CDI			
Body Style	Compact	Extra Long	Compact	Extra Long	Extra Long			
Engine	Diesel turbocharged & intercooled		Diesel 2 stage turbocharged & intercooled		Diesel multi-stage turbocharged & intercooled			
No. of cylinders	4/in line		4/in line		4/in line		V6	
Bore/stroke (mm)	88.0/88.3		88.0/88.3		88.0/88.3		83/92	
Total displacement (cc)	2148		2148		2148		2987	
Rated output (kW @ rpm)	85kW @ 3800rpm		110kW @ 3800rpm		150kW @ 3800rpm			
Max torque (Nm @ rpm)	290Nm @ 1600-2400rpm		330Nm @ 1800-2400rpm		440Nm @ 1600-2400rpm			
Fuel Supply	Common rail-direct injection (CDI)		Common rail-direct injection (CDI)		Common rail-direct injection (CDI)			
Fuel tank capacity (litres)	Approx. 75		Approx. 75		Approx. 75			
Fuel consumption <sup>1</sup> (litres/100km)	8.1		8.6		9.2			
Transmission			6 Speed Manual (Opt 5-Speed Automatic)		5 Speed Automatic		5 Speed Automatic	
Type	6 Speed Manual (Opt 5-Speed Automatic)		5 Speed Automatic		5 Speed Automatic			
Drive	Rear Wheel		Rear Wheel		Rear Wheel			
Weightings & Capacities (kg)			Rear Wheel		Rear Wheel		Rear Wheel	
Permissible front axle load	1550		1550		1550		1550	
Permissible rear axle load	1550		1550		1550		1550	
Gross vehicle mass	2940		2940		2940		2940	
Unladen weight <sup>2</sup>	1835	1885	1835	1885	1835	1885	1965	
Payload capacity	1105	1055	1105	1055	1105	1055	975	
Trailer load with brakes <sup>3</sup>	2000		2000		2000		2000	
Trailer load without brakes <sup>3</sup>	750		750		750		750	
Max roof load (kg)	150		150		150		150	
Dimensions (mm)			150		150		150	
Wheelbase	3200	3430	3200	3430	3200	3430	3430	
Length	4748	5223	4748	5223	4748	5223	5223	
Width	1901		1901		1901		1901	
Height	1902	1900	1902	1900	1902	1900	1900	
Rear overhang	765	1010	765	1010	765	1010	1010	
Floor loading height	556	560	556	560	556	560	560	
Load compartment (LxWxH) <sup>4</sup>	1237x1650x1338	1712x1650x1333	1237x1650x1338	1712x1650x1333	1237x1650x1338	1712x1650x1333	1712x1650x1333	
Load volume (m <sup>3</sup> )	2.63	3.65	2.63	3.65	2.63	3.65	3.65	
Sliding door opening (WxH)	985 x 1259		985 x 1259		985 x 1259		985 x 1259	
Tailgate opening (WxH)	1396 x 1264		1396 x 1264		1396 x 1264		1396 x 1264	
Barn door opening (WxH)								
Other Specification								
Turning circle (m)	11.8	12.5	11.8	12.5	11.8	12.5	12.5	
Rear axle ratio	3.455		3.273		2.923		2.923	
Rim (inches)	6.5Jx16		6.5Jx16		7Jx17		7Jx17	
Tyre profile	205/65 R16		205/65 R16		225/55 R17		225/55 R17	
Battery	12V/74Ah		12V/74Ah		12V/74Ah		12V/74Ah	
Alternator	14V/180A		14V/180A		14V/180A		14V/180A	

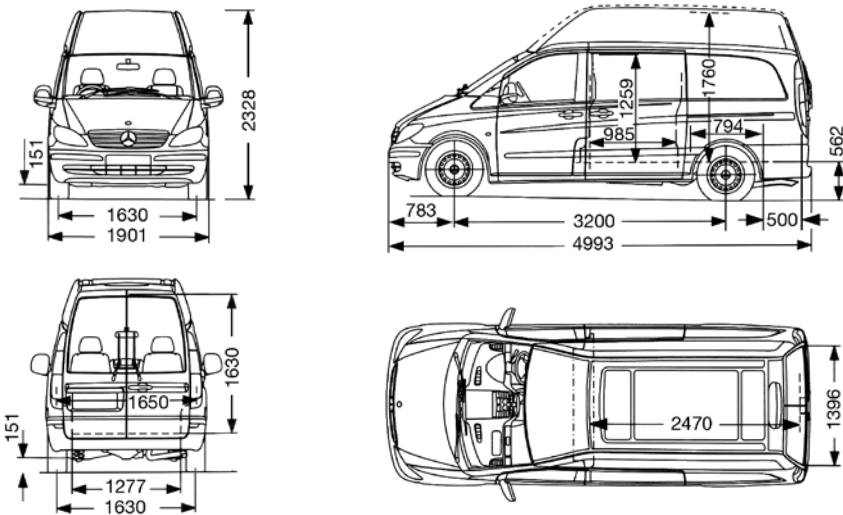
1/ The above fuel consumptions are in accordance with ADR 81/01 under the Motor Vehicles Standard Act 1989. 2/ Unladen tare weight of vehicle, including spare wheel, jack, tools and 10 litres fuel. Weight are intended as a guide only. For accuracy the actual vehicle should always be weighed to determine the exact tare weight for the specification ordered. Weight tolerance of up to +5% in production, and additional weight of optional equipment must be taken into consideration. 3/ Maximum towing capacities depend on individual state legislation. 4/ Additional load length available under front seats. Note: Drawings are general arrangement drawings only and should not be relied upon. Contact your local authorised dealer if you require more specific information.

## Van & Crew Cab

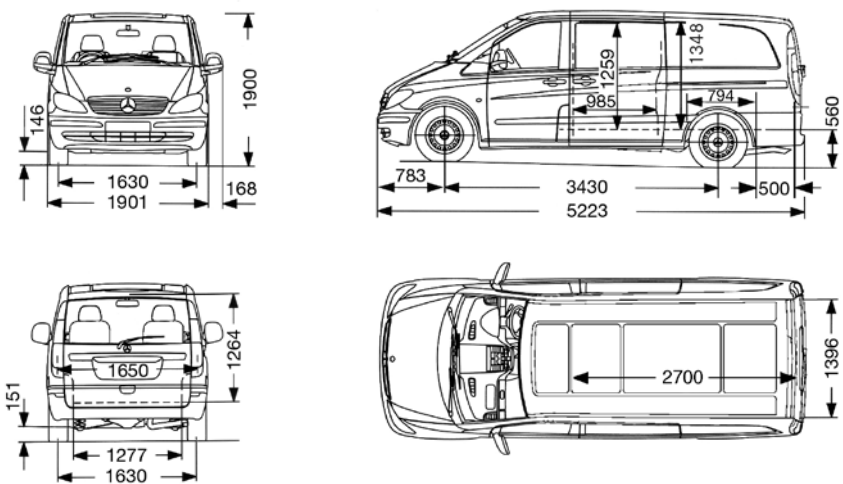
### Compact



### Long High Roof (Van only)



### Extra Long - Van & Crew Cab



# Standard Equipment

	109	111	115	120
<b>Standard Exterior Features</b>				
Dual sliding doors	•	•	•	•
Electrically adjustable & heated mirrors	•	•	•	•
Integrated windscreen washer nozzle on wipers	•	•	•	•
Heated rear window with washing/wiper	•	•	•	•
Mudflaps - rear	•	•	•	•
Colour coded bumpers	○	○	○	•
17" alloy rims	○	○	○	•
<b>Standard Interior Feature</b>				
Air conditioning	•	•	•	•
Power front windows	•	•	•	•
Power steering	•	•	•	•
Cruise Control with SPEEDTRONIC - variable speed limiter	○	•	•	•
Start off assistance <sup>#</sup>	-	•	-	•
Leather covered steering wheels and shifter	-	-	-	•
Remote central locking	•	•	•	•
Driver authorisation system including engine immobiliser	•	•	•	•
Stylish cloth upholstery	•	•	•	•
Single CD with RDS AM/FM tuner (mute function)	•	•	•	•
4-way adjustable driver and passenger seat	•	•	•	•
Heater/demister plus five blower settings	•	•	•	•
Large door pockets on driver and passenger side	•	•	•	•
2-speed wipers plus intermittent function	•	•	•	•
Lights-on warning buzzer	•	•	•	•
Passenger side grab handle	•	•	•	•
Tailgate grab strap	•	•	•	•
Lock-out prevention	•	•	•	•
Park brake warning buzzer	•	•	•	•
Interior panelling	•	•	•	•
Outside temperature gauge	•	•	•	•
Luxury dash board	-	-	-	•
12V plugs in rear	•	•	•	•
Front cup holders	•	•	•	•
<b>Standard Safety Features</b>				
Adaptive electronic stability program (ESP) with ABS, ASR, BAS, EBD, ROM, LAC, RMI, USC	•	•	•	•
Driver side airbag	•	•	•	•
Passenger side airbag	○	○	○	•
Four wheel disc brakes	•	•	•	•
Height adjustable head restraints	•	•	•	•

	109	111	115	120
<b>Standard Safety Features (cont)</b>				
3-point inertia reel seat belts with pretensioners	•	•	•	•
Height adjustable front seat belts	•	•	•	•
Front and rear brake pad wear indicators	•	•	•	•
Height & reach adjustable steering column	•	•	•	•
Rear centre stop light	•	•	•	•
Headlight beam range control	•	•	•	•
Rear fog lamp	•	•	•	•
Seat belt warning signal - driver	•	•	•	-
Seat belt warning signal - driver and passenger	-	-	-	•
<b>Additional Crew Cab Standard Equipment</b>				
Row of seats for 3 passengers in rear compartment	-	•	•	•
Fixed windows in sliding doors	-	•	•	•
Wood flooring	-	•	•	•
Roof trim to C-pillar	-	•	•	•
Warm/cool air duct to passenger compartment	-	•	•	•
Dark tinted glass in rear	-	-	-	•

# Optional Equipment

	109	111	115	120
<b>Features</b>				
Electric sliding doors	○	○	○	○
16" alloy rims	○	○	○	-
Window airbags	○	○	○	○
Metallic paint	○	○	○	○
Paint (standard arctic white)	○	○	○	○
Rear barn doors (standard on high roof van)	○	○	○	○
Front passenger bench seat	○	○	○	-
Comfort seat pack with armrests	○	○	○	○
PARKTRONIC	○	○	○	○
Vehicle alarm system	○	○	○	○
Light and rain sensor	○	○	○	○
Roof rails	○	○	○	○
Full wheel covers	○	○	○	-
Wood flooring	○	○	○	○
<b>Additional Crew Cab Optional Equipment</b>				
Luxury folding rear seat	-	○	○	○

## Warranty

Mercedes-Benz Australia/Pacific Pty. Ltd. offers a warranty on Vito of 3 years/200,000km (whichever occurs first) and Mercedes-Benz Van Road Care, 24 hours a day, 365 days a year. Please note some vehicles are excluded. For further details and exclusions please consult your local authorised Mercedes-Benz dealer.

**Specifications and information referred to herein were correct at the time of publication.** Some of the equipment depicted either on vehicle illustrations or separately may be non-standard or optional at extra cost. Mercedes-Benz Australia/Pacific Pty. Ltd. reserves the right to discontinue or modify any vehicle or optional equipment at any time without prior notice to meet any requirement of a manufacturing or commercial nature which it may deem appropriate. Consult your authorised Mercedes-Benz Van Dealer for the latest details on specification, options, prices and availability.

Mercedes-Benz Australia/Pacific Pty. Ltd. ACN 004 411 410 Lexia Place, P.O. Box 4214, Mulgrave, Vic. 3170 For your nearest dealer location or more information call 1300 36 63 72— [www.mercedes-benz.com.au](http://www.mercedes-benz.com.au)

MBL 4910 IFC