

Standard Equipment

	109	111	115	120
Standard Exterior Features				
Dual sliding doors	•	•	•	•
Electrically adjustable & heated mirrors	•	•	•	•
Integrated windscreen washer nozzle on wipers	•	•	•	•
Heated rear window with washing/wiper	•	•	•	•
Mudflaps - rear	•	•	•	•
Colour coded bumpers	◦	◦	◦	•
17" light alloy wheels (4) and steel spare wheel	◦	◦	◦	•
Standard Interior Feature				
Air conditioning	•	•	•	•
Power front windows	•	•	•	•
Power steering	•	•	•	•
Cruise Control with SPEEDTRONIC - variable speed limiter	◦	•	•	•
Start off assistance	-	*	-	•
Leather covered steering wheels and shifter	-	-	-	•
Remote central locking	•	•	•	•
Driver authorisation system including engine immobiliser	•	•	•	•
Stylish cloth upholstery	•	•	•	•
Single CD with RDS AM/FM tuner (mute function)	•	•	•	•
4-way adjustable driver and passenger seat	•	•	•	•
Heater/demister plus five blower settings	•	•	•	•
Large door pockets on driver and passenger side	•	•	•	•
2-speed wipers plus intermittent function	•	•	•	•
Lights-on warning buzzer	•	•	•	•
Passenger side grab handle	•	•	•	•
Tailgate grab strap	•	•	•	•
Lock-out prevention	•	•	•	•
Park brake warning buzzer	•	•	•	•
Interior panelling	•	•	•	•
Outside temperature gauge	•	•	•	•
Luxury dash board	-	-	-	•
12V plugs in rear	•	•	•	•
Front cup holders	•	•	•	•
Hinged lid for storage compartment	•	•	•	•
Overhead control panel with two reading lights	•	•	•	•

	109	111	115	120
Standard Safety Features				
Adaptive electronic stability program (ESP) with ABS, ASR, BAS, EBD, ROM, LAC, RMI, USC	•	•	•	•
Driver front airbag	•	•	•	•
Passenger front airbag	◦	◦	◦	•
Four wheel disc brakes	•	•	•	•
Height adjustable head restraints	•	•	•	•
3-point inertia reel seat belts with pretensioners	•	•	•	•
Height adjustable front seat belts	•	•	•	•
Front and rear brake pad wear indicators	•	•	•	•
Height & reach adjustable steering column	•	•	•	•
Rear centre stop light	•	•	•	•
Headlight beam range control	•	•	•	•
Rear fog lamp	•	•	•	•
Seat belt warning signal - driver	•	•	•	-
Seat belt warning signal - driver and passenger	-	-	-	•
Additional Crew Cab Standard Equipment				
Row of seats for 3 passengers in rear compartment	-	•	•	•
Fixed windows in sliding doors	-	•	•	•
Wood flooring	-	•	•	•
Roof trim to C-pillar	-	•	•	•
Warm/cool air duct to passenger compartment	-	•	•	•
Dark tinted glass in rear	-	-	-	•

Warranty

Mercedes-Benz Australia/Pacific Pty. Ltd. offers a warranty on Vito of 3 years/200,000km (whichever occurs first) and Mercedes-Benz Van Road Care, 24 hours a day, 365 days a year. Please note some vehicles are excluded. For further details and exclusions please consult your local authorised Mercedes-Benz dealer.

Optional Equipment

	109	111	115	120
Features				
Paint (non-metallic) - Arctic white as standard	◦	◦	◦	◦
Metallic paint	◦	◦	◦	◦
Automatic transmission	-	◦	•	•
Thorax airbag for driver and co-driver	◦	◦	◦	◦
Front passenger bench seat	◦	◦	◦	-
Comfort driver and co-driver seats with armrests	◦	◦	◦	◦
Luxury driver & comfort passenger bench seat	◦	◦	◦	-
Comfort passenger bench seat	◦	◦	◦	-
Fixed side window	◦	◦	◦	◦
Manually operated rear vent windows	◦	◦	◦	◦
Rear barn doors (standard on high roof van)	◦	◦	◦	◦
16" light alloy wheels (4) and steel spare wheel	◦	◦	◦	-
Multifunction steering wheel	◦	◦	◦	◦
PARKTRONIC	◦	◦	◦	◦
Vehicle alarm system	◦	◦	◦	◦
Light & rain sensor, vanity mirrors & centre console with stowage	◦	◦	◦	◦
Roof rails	◦	◦	◦	◦
Full wheel covers for steel wheels	◦	◦	◦	-
Wood flooring	◦	◦	◦	◦
Full bulkhead with sliding window	◦	◦	◦	◦
Tinted windows	◦	◦	◦	#
Parameterisable Special Module	◦	◦	◦	◦
Roof trim and interior light - cargo compartment	◦	◦	◦	◦
Alternator 14V/180A	◦	◦	◦	•
Reverse warning system	◦	◦	◦	◦
Heated driver and co-driver seats	◦	◦	◦	◦
Additional Crew Cab Optional Equipment				
Luxury folding rear seat	◦	◦	◦	◦
Roof trim - passenger compartment	◦	◦	◦	◦
Comfort Pack - Luxury interior trim, panelling and flooring	◦	◦	◦	◦
Front sliding windows in sliding doors	◦	◦	◦	◦
Dual electric sliding doors (only with Comfort pack)	◦	◦	◦	◦

Specifications and information referred to herein were correct at the time of publication (January 2009). Some of the equipment depicted either on vehicle illustrations or separately may be non-standard or optional at extra cost. Mercedes-Benz Australia/Pacific Pty. Ltd. reserves the right to discontinue or modify any vehicle or optional equipment at any time without prior notice to meet any requirement of a manufacturing or commercial nature which it may deem appropriate. Consult your authorised Mercedes-Benz Van Dealer for the latest details on specification, options, prices and availability.

Mercedes-Benz Australia/Pacific Pty. Ltd. ACN 004 411 410 Lexia Place, P.O. Box 4214, Mulgrave, Vic. 3170 For your nearest dealer location or more information call 1300 36 63 72— www.mercedes-benzvans.com.au

MBL 5175 IFC January 2009



January 2009

Vito Van & Crew Cab Specifications

Mercedes-Benz



Mercedes-Benz Technical Data

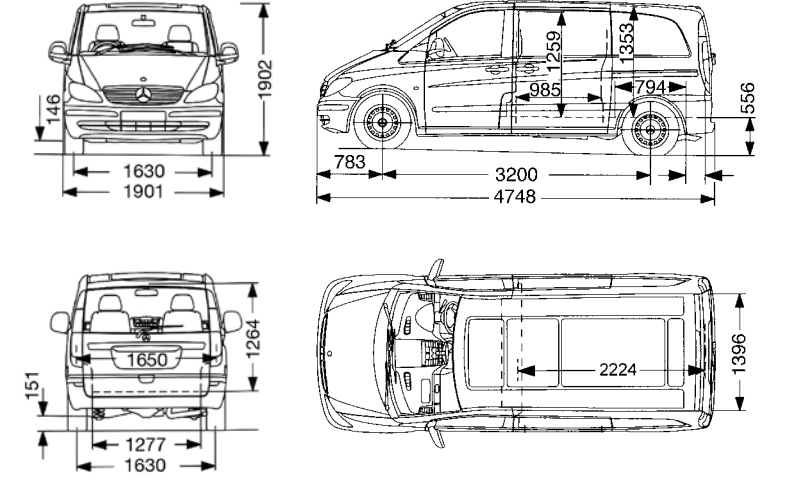
Van

Engine Specification																						
Model	Vito 109 CDI			Vito 111 CDI			Vito 115 CDI			Vito 120 CDI			Vito 111 CDI			Vito 115 CDI			Vito 120 CDI			
Body Style	Compact			Compact	Long High Roof	Extra Long	Compact	Long High Roof	Extra Long	Compact	Extra Long	Compact	Extra Long	Compact	Extra Long	Compact	Extra Long	Compact	Extra Long	Compact	Extra Long	
Engine	Diesel turbocharged & intercooled			Diesel turbocharged & intercooled			Diesel 2 stage turbocharged & intercooled			Diesel multi-stage turbocharged & intercooled			Diesel turbocharged & intercooled			Diesel 2 stage turbocharged & intercooled			Diesel multi-stage turbocharged & intercooled			
No. of cylinders	4/in line			4/in line			4/in line			V6			4/in line			4/in line			V6			
Bore/stroke (mm)	88.0/88.3			88.0/88.3			88.0/88.3			83.0/92.0			88.0/88.3			88.0/88.3			83.0/92.0			
Total displacement (cc)	2148			2148			2148			2987			2148			2148			2987			
Rated output (kW @ rpm)	70kW @ 3800rpm			85kW @ 3800rpm			110kW @ 3800rpm			150kW @ 3800rpm			85kW @ 3800rpm			110kW @ 3800rpm			150kW @ 3800rpm			
Max torque (Nm @ rpm)	250Nm @ 1400-2600rpm			290Nm @ 1600-2600rpm			330Nm @ 1800-2400rpm			440Nm @ 1600-2400rpm			290Nm @ 1600-2600rpm			330Nm @ 1800-2400rpm			440Nm @ 1600-2400rpm			
Fuel Supply	Common rail-direct injection (CDI)			Common rail-direct injection (CDI)			Common rail-direct injection (CDI)			Common rail-direct injection (CDI)			Common rail-direct injection (CDI)			Common rail-direct injection (CDI)			Common rail-direct injection (CDI)			
Fuel tank capacity (litres)	Approx. 75			Approx. 75			Approx. 75			Approx. 75			Approx. 75			Approx. 75			Approx. 75			
Fuel consumption ¹ (litres/100km)	8.9			8.1	9.0	8.1	8.6	9.2	8.6	9.2			8.1			8.6			9.2			
Transmission																						
Type	6 Speed Manual			6 Speed Manual (Opt 5-Speed Automatic)			5 Speed Automatic			5 Speed Automatic			6 Speed Manual (Opt 5-Speed Automatic)			5 Speed Automatic			5 Speed Automatic			
Drive	Rear Wheel			Rear Wheel			Rear Wheel			Rear Wheel			Rear Wheel			Rear Wheel			Rear Wheel			
Weightings & Capacities (kg)																						
Permissible front axle load	1550			1550			1550			1550			1550			1550			1550			
Permissible rear axle load	1550			1550			1550			1550			1550			1550			1550			
Gross vehicle mass	2940			2940			2940			2940			2940			2940			2940			
Unladen weight ²	1790	1855	1840	1790	1855	1840	1790	1855	1840	1870	1920	1835	1885	1835	1885	1915	1965	1915	1965	1915	1965	
Payload capacity	1150	1085	1100	1150	1085	1100	1150	1085	1100	1070	1020	1105	1055	1105	1055	1025	975	1025	975	1025	975	
Trailer load with brakes ³	2000			2000			2000			2000			2000			2000			2000			
Trailer load without brakes ³	750			750			750			750			750			750			750			
Max roof load (kg)	150			150	50	150	150	50	150	150			150			150			150			
Dimensions (mm)																						
Wheelbase	3200			3200	3200	3430	3200	3200	3430	3200	3430	3200	3430	3200	3430	3200	3430	3200	3430	3200	3430	
Length	4748			4748	4993	5223	4748	4993	5223	4748	5223	4748	5223	4748	5223	4748	5223	4748	5223	4748	5223	
Width	1901			1901			1901			1901			1901			1901			1901			
Height	1902			1902	2329	1900	1902	2329	1900	1902	1900	1902	1900	1902	1900	1902	1900	1900	1902	1900	1902	1900
Rear overhang	765			765	1010	1010	765	1010	1010	765	1010	765	1010	765	1010	765	1010	765	1010	765	1010	
Floor loading height	556			556	562	560	556	562	560	556	560	556	560	556	560	556	560	556	560	556	560	
Load compartment (LxWxH) ⁴	2224x1650x1353			2224x1650x1353	2470x1650x1760	2700x1650x1348	2224x1650x1353	2470x1650x1760	2700x1650x1348	2224x1650x1353	2700x1650x1348	1237x1650x1338	1712x1650x1333	1237x1650x1338	1712x1650x1333	1237x1650x1338	1712x1650x1333	1237x1650x1338	1712x1650x1333	1237x1650x1338	1712x1650x1333	
Load volume (m ³)	4.65			4.65	6.49	5.68	4.65	6.49	5.68	4.65	5.68	2.63	3.65	2.63	3.65	2.63	3.65	2.63	3.65	2.63	3.65	
Sliding door opening (WxH)	985 x 1259			985 x 1259			985 x 1259			985 x 1259			985 x 1259			985 x 1259			985 x 1259			
Tailgate opening (WxH)	1396 x 1264			1396 x 1264	na	1396 x 1264	1396 x 1264	na	1396 x 1264	1396 x 1264			1396 x 1264			1396 x 1264			1396 x 1264			
Barn door opening (WxH)				1396 x 1630			1396 x 1630															
Other Specification																						
Turning circle (m)	11.8			11.8	11.8	12.5	11.8	11.8	12.5	11.8	12.5	11.8	12.5	11.8	12.5	11.8	12.5	11.8	12.5	11.8	12.5	
Rear axle ratio	3.727			3.455			3.273			2.923			3.455			3.273			2.923			
Rim (inches)	6.5Jx16			6.5Jx16			6.5Jx16			7Jx17			6.5Jx16			6.5Jx16			7Jx17			
Tyre profile	205/65 R16			205/65 R16			205/65 R16			225/55 R17			205/65 R16			205/65 R16			225/55 R17			
Battery	12V/74Ah			12V/74Ah			12V/74Ah			12V/74Ah			12V/74Ah			12V/74Ah			12V/74Ah			
Alternator	14V/120A			14V/120A			14V/120A			14V/180A			14V/120A			14V/120A			14V/180A			

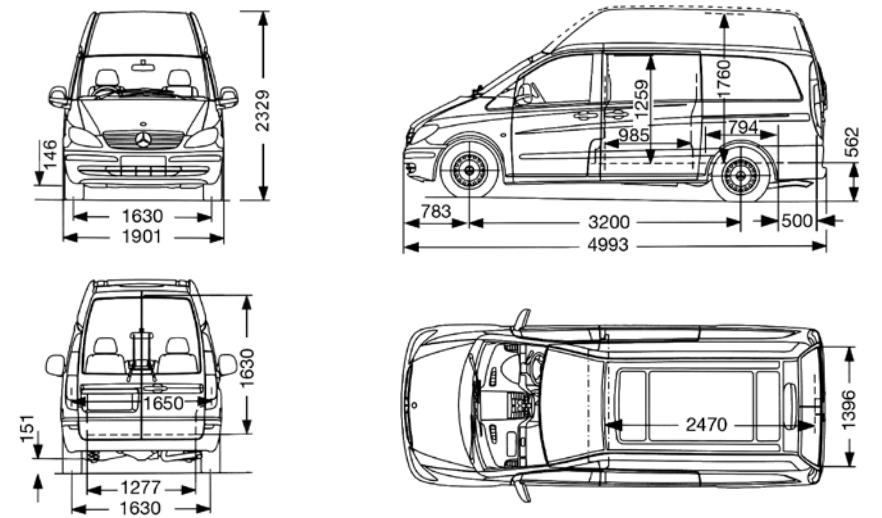
Crew Cab

Van & Crew Cab

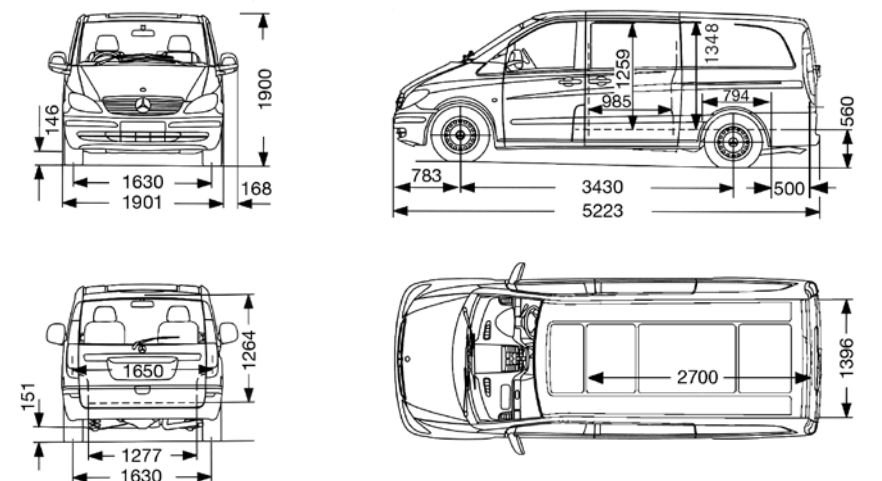
Compact



Long High Roof (Van only)



Extra Long - Van & Crew Cab



1/ The above fuel consumptions are in accordance with ADR 81/01 under the Motor Vehicles Standard Act 1989. 2/ Unladen tare weight of vehicle, including spare wheel, jack, tools and 10 litres fuel. Weight are intended as a guide only. For accuracy the actual vehicle should always be weighed to determine the exact tare weight for the specification ordered. Weight tolerance of up to +5% in production, and additional weight of optional equipment must be taken into consideration. 3/ Maximum towing capacities depend on individual state legislation. 4/ Additional load length available under front seats. Note: Drawings are general arrangement drawings only and should not be relied upon. Contact your local authorised dealer if you require more specific information.