



# Actros

125! years of innovation



**Mercedes-Benz**  
Trucks you can trust



## Making the star shine even brighter

**No ordinary truck to begin with, the Mercedes-Benz Actros is now even better.**

Dozens of enhancements now provide even better fuel economy, improved levels of comfort and excellent safety, making the Actros a great solution for long-distance or short-haul operations.

A choice of seven V6 or V8 Euro 5 engines mean there's plenty of power and long service intervals which further enhance efficiency. Add in a broad range of well-honed engine and cab options, along with the improved Mercedes PowerShift automated gearbox, and it is clear there is little this Actros can't do.

The Actros - Australia's latest shining star.



# Designed with the driver in mind

When it comes to designing a truck, we look to the people who know them inside and out - the drivers. They said extra power and torque would make their lives easier, so that's why the Actros now comes with high performance V6 and V8 engines. We've improved driving dynamics with faster, smarter gearboxes and more refined aerodynamics. The Actros comes with state-of-the-art engine technology, shifting and braking electronics which means an easier time behind the wheel as well as better performance and reliability. There's also a host of advanced safety features, along with excellent cabin comfort, convenience and storage space. This Actros simply offers one of the best combinations of features and options in its class\*. All designed with the driver in mind.



**Spacious cabs.** The Actros comes with the choice of six cab variations, to suit many applications. With a flat floor throughout, the pre-eminent Megaspace cab provides excellent comfort and freedom of movement for long-distance haulage. While at the other end of the range, the S-cab has been designed to optimise trailer and body lengths. Whatever the cab, it will be functional and harmonious with comfortable seating, spring-core mattresses and stowage compartments throughout.

**Deluxe seating.** This is where the work is done, so in the Actros the high-backed, luxury suspension seat features pneumatic lumbar support, side contour adjustment and heating. Both the angle and length of the seat cushion are fully adjustable, plus the backrest includes an integral head restraint and 3-point seat belt for extra safety.

**Ergonomic controls.** The instrument cluster in the Actros offers excellent layout and readability. Analogue and digital displays deliver clear, concise information on speed, engine speed, fuel level, AdBlue level and braking pressure. The driver information system is user-friendly and operated using buttons on the steering wheel, enabling drivers to adjust settings and conduct diagnostic functions easily while displaying information on a large colour screen. The Telligent® gearshift lever is located on a fold-up arm rest on the left side of the driver's seat for added comfort and convenience.

\* Market segment heavy duty.

# Designed for comfort

At Mercedes-Benz, we know that it doesn't matter whether you're going to be driving for a week or just a day, a comfortable, functional workplace is an absolute must.



**Folding passenger seat.** To create even more room, the passenger seat in the Actros has a seat which folds up and a backrest which can fold forward, but safety isn't compromised with the passenger seat also boasting an integral head restraint and the 3-point seat belt.

**Multifunction steering wheel.** Fully adjustable telescopically and for rake angle, the steering wheel is multi-functional, allowing drivers to operate the radio, telephone and driver information system without even having to take their hands off the wheel. The perfectly positioned buttons can also be used to call up operational and service information.



**Stowage space.** In the L-cab with raised roof and in the Megaspace cab there are three large, open stowage compartments above the windscreen with hinged lids and interior lighting.

For drivers travelling with drinks and snacks, there is an option of a 25-litre roll-out cooler box which keeps contents at a cool 5°C.

The illuminated outer stowage compartment in the Megaspace and L-cab can be accessed from inside and outside the vehicle. A roomy tool compartment, accessible from outside, is also a great place to store a warning triangle, a fire extinguisher and a first aid kit.

**Heating and cooling.** All cabs are fitted as standard with a manually controlled air conditioning system. The "eyeball" vents in the door trim enhance both safety and comfort by helping to prevent the side windows from misting up and helping ensure optimal airflow and distribution throughout the cab.

**Luxury bed.** Relaxing sleep is the basis for good performance. The Actros offers home-style sleeping comfort, with the standard-specification luxury bed in the lower sleeping area featuring a slatted frame with elastic support at pressure points and adjustable headboard. The L-cab with raised roof and the Megaspace cab also offer the optional luxury bed in the upper area. At 80cm wide, 202cm long, the dimensions tell you all you need to know.



## Plenty of power

With engines ranging from 360 hp (265 kW) to 600 hp (440 kW), the Mercedes PowerShift 12-speed and 16-speed automated gearboxes fitted as standard to on highway vehicles and improvements from front-to-back, the Actros is up for a challenge.



\*4x2 image shown above

**Mercedes PowerShift.** Built to optimise gear-shifting, the Mercedes PowerShift is one of the central reasons the Actros is so fuel efficient. Integrated sensors help detect the road's incline (12-speed only), providing additional information which helps to improve the shift strategy so the right gear is delivered with gentler but noticeably quicker gear changes.

The Mercedes-Benz PowerShift helps to further improve driving performance via a surge damping control which helps to reduce pitch and roll motions.

**Reliable power.** Power is provided by the well-honed OM 501 LA and OM 502 LA engines. In standard highway configuration, rated up to 70 tonnes (or optionally higher), there's a choice of four outputs for the 11.9 litre V6 engine from 360 hp (265 kW) to 480 hp (350 kW). In heavy duty configuration, three variants of the 15.9 litre V8 engine provide from 510 hp (375 kW) to 600 hp (440 kW). The heavy duty range is rated at 90 tonnes (or optionally higher).

The Actros engines are now even more durable. Modifications have helped to ease the thermal load on the pistons, while higher strength inlet valves and seat rings help allow the valve setting intervals to be extended. The crankcase breather features an improved oil separator, and the compact alternator and starter motor have both been designed for a longer service life.

**Suspension.** Four-bellows air suspension has allowed a number of design enhancements that improve handling dynamics and body roll. The Actros variants with steel suspension use weight optimised parabolic springs with maintenance-free rubber molecular bearings. In addition, all variants come with shock absorbers and front and rear axle stabilisers as standard. The leaf suspension has a protective coating which makes an essential contribution to the long service life of the suspension system as a whole.

**Load up easily.** In Actros variants with air-sprung rear axles, the standard-fit Telligent® level control allows the frame to be raised and lowered. Semitrailers or interchangeable systems can be attached and detached quickly and easily.

**Bigger and stronger.** The Actros has been redesigned from the ground up, with tyres, axles and frame all re-engineered to optimise performance. Frame improvements include replacing head frame rivets with bolts so it is easier to exchange parts during repair.

# Safety. Safety. Safety.

Mercedes-Benz is a leader in driver safety, and the Actros features innovative active and passive safety.



**Safety as a standard.** Every Actros provides an excellent level of safety - as standard.

All on-road trucks are fitted with a driver-side airbag and seat belt pre-tensioner, which instantly tightens the belt against the body in the event of an accident.

There is also ABS (Anti-lock Braking System) to help reduce stopping distances in an emergency, and ASR (Acceleration Skid Control) which assists in the prevention of wheel-spin on wet or loose surfaces.

**Seeing is everything.** To maximise visibility for drivers, during the day and night, the Actros features larger windows all around and clear-lens headlamps. The optional bi-xenon headlamps (high-beam and dipped-beam) almost triple the luminous power available on high-beam, letting the driver see significantly further and wider.

**Mirrors.** As standard, the Actros is fitted with large, heated exterior rear-view mirrors for excellent vision and reduced fogging, while the housing guides airflow that helps to prevent fouling the side windows and doors.

**Telligent® stability control (ESP).** Fitted as standard equipment on the 4x2 and 6x4 Actros air suspended prime movers, ESP helps to recognise potential instability - such as skidding or swerving - and counteracts it where possible by adjusting engine torque, precise tractor braking and controlling the trailer brake system.

**Active Brake Assist.** Now standard on all on-road air suspended vehicles. The Active Brake Assist system assists the driver when an accident hazard is detected and helps to reduce the vehicle speed by staged braking intervention. During driving, Active Brake Assist helps evaluate the traffic situation in front of the vehicle. If the system detects the risk of a potential rear-end collision with a vehicle in front, the driver is informed of this danger by means of a three-stage escalating warning system corresponding to the actual situation. In a case where there is no driver activity a slight braking intervention is activated before emergency braking is performed.

**Telligent® Lane Assistant.** This optional lane recognition system helps to detect if the vehicle is about to unintentionally depart from its current lane and warns the driver with a warning buzzer in the cab.

**Telligent® proximity control.** Available as an option in conjunction with a retarder, this system helps to ensure that the speed of the Actros and the distance from the vehicle in front are automatically adjusted to best suit changing traffic situations. Proximity control not only helps to enhance safety, it makes for a more relaxed, low-stress journey.

**Rain and light sensor.** Adjustable to 5 levels this helps to enhance safety and comfort, as it activates the windscreen wipers when it senses rain and activates the headlamps when the vehicle enters a dark area such as a tunnel.

**Safety Package.** To further enhance the safety in your Mercedes-Benz Actros, an optional Safety Package is offered.

- Telligent® Lane Assist
- Telligent® proximity control
- Active Brake Assist
- Voith retarder

For more information, visit [www.mercedes-benz.com.au/trucks](http://www.mercedes-benz.com.au/trucks)

# Telligent® gearshift and maintenance systems



**PowerShift.** The Mercedes PowerShift is a fully-automated direct drive gear shifting system. Being fully-automated it provides the driver with a smoother, more economical drive. A clutch pedal is not required with the Mercedes-Benz PowerShift and gear changes are performed by the control module at optimal times. Being automated not only reduces the workload on the driver, it also optimises the drive, reducing the service requirements on the clutch, transmission and drivetrain.

**Additional functions of the Mercedes-Benz PowerShift.**

- Power mode: permits short-term use of the full engine power.
- Eco-roll mode: assists in achieving fuel-saving operation in overrun conditions.
- Manoeuvring mode: offers controllable power selection up to 1000 rpm using the accelerator pedal.
- Rock-free mode: simplifies driving off on difficult ground.
- Extension of cruise control function 1 (speed range): offers individually adjustable vehicle speed range from 2 to 15 km/h between propulsion and brake cut-in.
- Extension of cruise control function 2 (separate vehicle memories): stores the setting for cruise control /autonomous cruise control and speed limiter separately, whereby the settings are preserved when switching between.
- High-speed reverse gears: higher speeds when reversing.
- Direct first-to-reverse shift: bypasses the intermediate step via neutral.

**Telligent® maintenance.** The Telligent® maintenance system schedules service intervals according to the actual wear and tear on a vehicle. For instance, every cold start is recorded. The condition of the engine oil and major assembly oils, as well as the coolant level are monitored constantly. The system also shows when air or fuel filters need to be changed and indicates brake pad wear. As a result, servicing and repairs can be scheduled more efficiently and more effectively, thus helping reduce downtime. Daily checks can be carried out by you quickly and easily from the comfort of the cabin, saving valuable time every morning.

**Telligent® engine control.** The revolutionary Telligent® electronic engine management system helps adjust the injection of fuel with precision to suit the driving situation. This optimised injection strategy, coupled with an injection pressure of up to 1800 bar, results in outstanding mixture preparation and efficiency.

# Bluetec® benefits

Cost-effective compliance with Euro 5, lower fuel consumption, low particulate emissions, and an unrivalled low level of CO2 emissions, it can all be yours with BlueTec®, the SCR technology from Mercedes-Benz.

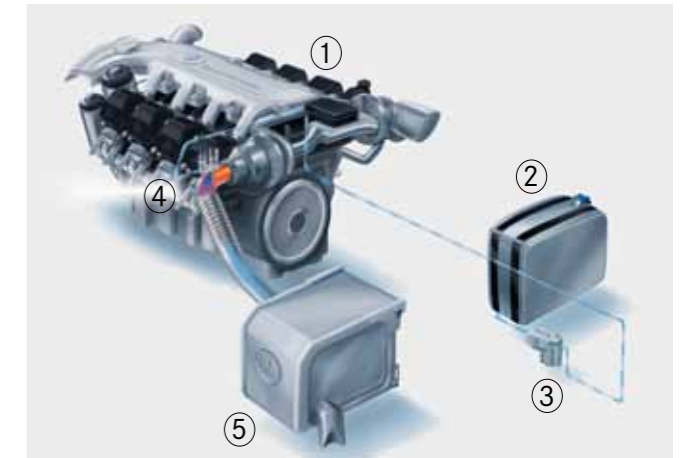


AdBlue is odourless, non-toxic and simple to refill. SCR diesel technology blends AdBlue with the exhaust flow to reduce the nitrogen oxides in the catalytic converter.

**Fuel savings.** In the long-distance haulage sector, fuel consumption makes up the lion's share of a truck's lifecycle costs. BlueTec® technology helps to cut consumption while still delivering the power you need.

Modified engines make such efficient use of their fuel that they consume significantly less and deliver a higher output (depending on the engine variant) than previous Actros models.

**Weight and servicing.** The BlueTec® technology also wins on two other fronts - the additional components and the extra weight associated with the technology are not significant with the main modifications being an additional tank for AdBlue and the larger silencers. With BlueTec® you can continue to enjoy the customary long service intervals (up to 70,000 km depending on the configuration) and the associated reduced downtime.



BlueTec® method of operation. ① Engine ② AdBlue tank ③ Supply unit ④ Metering device ⑤ SCR catalytic converter.

**Super lower emissions.** While the EEV (Enhanced Environmentally-Friendly Vehicles) standard is not a legal requirement, it is the most stringent European emissions guideline for commercial vehicles such as buses and trucks. EEV is similar to Euro 5 but its limits for particulate emissions are approximately 33% lower. Not only does this assist with helping the environment through reduced emissions, it can help your business image.

Depending on configuration, Actros vehicles in Australia can be fitted with Mercedes-Benz EEV compliant engines. Ask your authorised Mercedes-Benz Dealer for details.

# Why Daimler Truck Financial?

Daimler Truck Financial\* is the world's largest truck financier and as the dedicated finance provider for Mercedes-Benz Trucks, our products are specifically designed with Mercedes-Benz owners in mind. This means you benefit from tailored products, backed by our industry knowledge and experience. We offer fast finance approvals through our dedicated finance assessment team who appreciate the needs of truck buyers. Our competitive pricing and flexible finance contract terms, with the option of repayment holidays#, are just a few of the reasons why Daimler Truck Financial is for you. As a business customer, we will tailor a plan to suit your requirements and offer a suite of financing options that meet your needs.

**Our Business Loans.** Asset-Hire Purchase. Finance agreements of this type can be structured with or without a deposit. Payments can be tailored to suit individual needs by opting for a longer term or incorporating a final balloon payment. Upon completion of the finance agreement, and following final payment, you will then have ownership of the vehicle.

**Asset Loan.** Asset Loan commonly referred to as a Chattel Mortgage, is available for individuals, sole traders, partnerships and companies where ownership of the vehicle at the start of the finance agreement is important. This finance product differs from an Asset-Hire Purchase and Finance Lease in that vehicle ownership is provided for at the start of the finance agreement, in exchange for security to be taken over the vehicle. Upon completion of the finance agreement and following final payment, security over the vehicle is released.

**Finance Lease.** This type of finance product is a rental agreement offering fixed payments with the addition of a residual value payable at the expiry of the finance contract. This finance product offers immediate use of the vehicle without a substantial outlay. At the end of the finance lease you can make an offer to purchase, re-lease, or upgrade to a brand new vehicle – the choice is yours.

Our finance products may provide taxation advantages depending on the structure of your business+.

## Our Finance Product Features.

With all of our finance products you benefit from:

- Flexible Terms, 12-60 months for all Mercedes-Benz Trucks.
- Final Balloon Payment / Residual Value, we offer this structure on all finance contracts.
- Fixed interest rates with no ongoing monthly fees, your interest rate is fixed for the duration of the loan term.
- Structured Payments, we can tailor payments to suit your cashflow requirements.

\*Daimler Truck Financial is a registered business name of Mercedes-Benz Financial Services Australia Pty Ltd ACN 074 134 517 (MBFSAu). MBFSAu offers finance products for new and used vehicles (up to 8 years). All finance products offered are/may be subject to conditions and standard credit assessment criteria. You should contact an authorised dealer for further details. +MBFSAu makes no representation as to the effect of any financial product on your personal or company tax arrangements and recommends you seek independent financial and taxation advice before entering into any finance agreement. #Interest will continue to accrue during any holiday repayment period.





**For full warranty details and limitations contact your authorised Mercedes-Benz Truck Dealer.**

IMPORTANT! This brochure has been compiled by Mercedes-Benz Australia/Pacific Pty Ltd to provide a general indication of the range of models available in Australia. Some of the models, features, optional extras and/or colours shown may not be available in Australia or may only be available in a different specification. Additionally, some models, features, optional extras and/or colours may only be available in combination with others. Some equipment depicted either on vehicle illustrations or separately may be non standard or options and may, where applicable, be available at an additional cost.

For current information on the availability, design features and prices of all models, features, optional extras and/or colours available in Australia, you should contact your authorised Mercedes-Benz Truck Dealer on 1300 66 22 30 or go to **[www.mercedes-benz.com.au/trucks](http://www.mercedes-benz.com.au/trucks)**

All of the information contained in this brochure was correct as at April 2011. However, the manufacturer reserves the right to discontinue, make changes to design and specifications to vehicles or optional equipment without notice.

The  and the words Mercedes-Benz, Telligent® and BlueTec® are registered trademarks of Daimler AG, Stuttgart, Germany.

Your authorised Mercedes-Benz Dealer is: