



The GL-Class.



Mercedes-Benz

This Brochure is prepared by Daimler AG and it predominantly reflects the capabilities and performance of vehicles sold in Europe.

Some characteristics, capabilities, performance features and optional extras (e.g. towing systems) may not be available or may not apply in Australia under Australian conditions. The information in this Brochure is therefore indicative, illustrative and provided only for guidance and should not be relied on. To obtain current and accurate information on a vehicle and any options applicable to Australia, contact your local authorised Mercedes-Benz dealer.



The GL-Class. The strength of serenity.

It's at home on the street. In its element in off-road terrain. There's hardly another Mercedes-Benz that is so versatile and at the same time so superb in the disciplines of dynamism, ride comfort and handling safety, plus individuality. Thanks to a series of pioneering assistance systems and to the stylishly distinctive tone of its appointments. The GL-Class is manufactured to the highest standard of automotive exclusivity. And with the ambition of living up to your exceptionally high standards. The result is a harmonious combination of relaxed mobility and a self-assured ambition to lead that is clear for all to see: when a perfect day can be measured in kilometres driven. When size also means responsibility. When the forces of nature no longer have the power to inspire fear, only then has the aim of the GL-Class been achieved. Allow yourself to be moved by the strength of serenity.

Overview of the vehicles presented here:

2 | Mercedes-Benz GL 350 BlueTEC 4MATIC iridium silver metallic

AMG Exterior Sports package, AMG 5-twin-spoke light-alloy wheels, tobacco brown/marron/black leather appointments, brown open-pore ash wood trim

14 | Mercedes-Benz GL 500 4MATIC cavansite blue metallic

5-twin-spoke light-alloy wheels, designo Exclusive package, porcelain leather, high-gloss dark graphite poplar wood trim

Vision.

20 | Moving innovation

Drive system and chassis.

22 | Diesel engine

23 | Petrol engines

24 | Transmissions

26 | Chassis and suspension

Safety.

30 | Integral safety concept

Comfort.

34 | Seats

35 | Climate control

36 | Load space management

38 | Lights

39 | Multimedia systems

40 | Assistance systems

AMG.

42 | GL 63 AMG Exterior

44 | GL 63 AMG Interior

Equipment and appointments.

46 | Standard equipment

47 | Optional extras

48 | AMG Exterior Sport package

50 | designo Exclusive package

52 | Upholstery and trim

58 | Wheels

60 | Genuine accessories

62 | Services.

Facts and colours.

64 | Dimensions


64 | Paintwork

65 | Load space management

66 | Technical data

Trail-blazer.
Way ahead of milestones.





Living up to the highest standards is one thing – striving for perfection goes far beyond it. We wanted to create a car which sends very clear signals and represents a benchmark. It was all about answering the question of how one defines luxury, technology and safety today. This is how the GL-Class came into being. In a class of its own.

Time spent in the GL-Class is like a symphony of carefully composed impressions, electrifying right down to your fingertips. Thanks to the car's unique noise insulation you can savour all the nuances of every driving moment. An experience in which mobility becomes true motoring pleasure.

Perfectionist.
For whom the audio experience starts
with the tyres.









Leadership figure.
Able to cope in exemplary fashion with any terrain.

Refinement with ambition to lead: high-torque engines, effortlessly superior handling, plus support from numerous innovative assistance systems. The moment in which you touch the accelerator pedal of the GL-Class represents contact with a new way of experiencing driving dynamics: you experience automotive sublimity.

Personal bodyguard.
Whose great strength is its sensitivity.





Even in complex and confusing traffic situations you have the necessary foresight. You can receive support if your attention should drop. And with the standard-specification Crosswind Assist you even stay one step ahead of the elements. Thanks to the most extensive safety equipment in its segment you not only feel protected and secure in the GL-Class; it also exudes serenity as standard. → Page 26, 30–33

Luminary. Exuding effortless superiority in every situation.

The exterior of the GL-Class captivates with its breathtaking presence: the beholder's glance is drawn as if magnetically to the dynamic lines of the design. The eyes sweep appreciatively from the radiator grille, brimming with character and featuring the striking bi-xenon headlamps over the athletic flanks to the powerful tail end. And can only be dragged away again with enormous strength of will.





Individualist. Getting the most out of every little nuance.

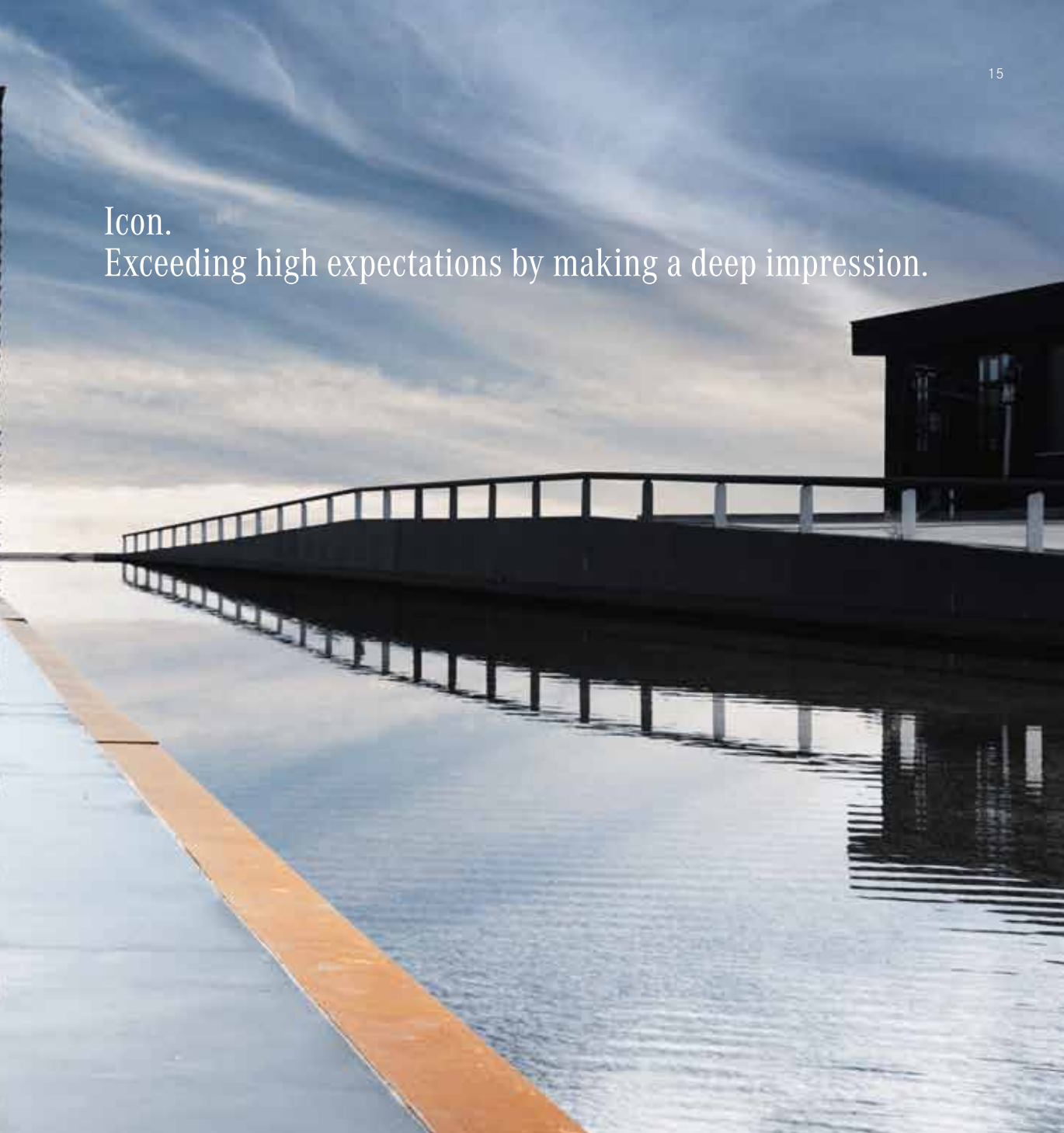
The special nature of the GL-Class comes as standard – the details underline its character: the standard-specification full power adjustment for the front seats moves the occupants into the perfect position as if by magic. The high-quality Rear Seat Entertainment System turns even long outings into a fun-packed experience. And the GL-Class into a very special SUV that satisfies the most discerning of standards during both on- and off-road trips. → Page 34, 39








Icon.
Exceeding high expectations by making a deep impression.







Bearer of responsibility.
Keeping things in moderation, even when pushing to the limit.

Making an impression instead of producing emissions: the drive system in the GL-Class blends thrilling dynamics with sustainable thinking. This is how you can make a more powerful impression with frugal engines, improved aerodynamics and the consumption-conscious automatic transmission 7G-TRONIC PLUS. Because in this case mobility in superlative form requires no exaggeration whatsoever.



A detailed view of the interior of a luxury car, focusing on the dashboard and center console. The dashboard features a large, illuminated display screen with various controls and buttons. The center console has a prominent gear shifter and handbrake. The interior is finished with dark leather and wood accents. The steering wheel is visible on the left side of the frame.

Personality.
Whose details add up to a stunning whole.

Motoring pleasure increases exponentially when nothing is left to be desired. Standard-specification luxury, coupled with numerous individualised equipment options, sets new benchmarks. The extremely convenient access, the pleasantly high seat position and the THERMOTRONIC automatic climate control ensure comfort and wellbeing from start to finish. Your sense for the special things in life will thank you for it. → Page 35

What makes a car a Mercedes?

Deep-rooted traditions: in our case, it is innovative traditions that run deep. We've gone along previously untravelled roads. Setting milestone after milestone. The first car with a crumple zone, the first ABS, the first diesel car. The first car. And whilst it's nice to look back, we'd much rather look forward.

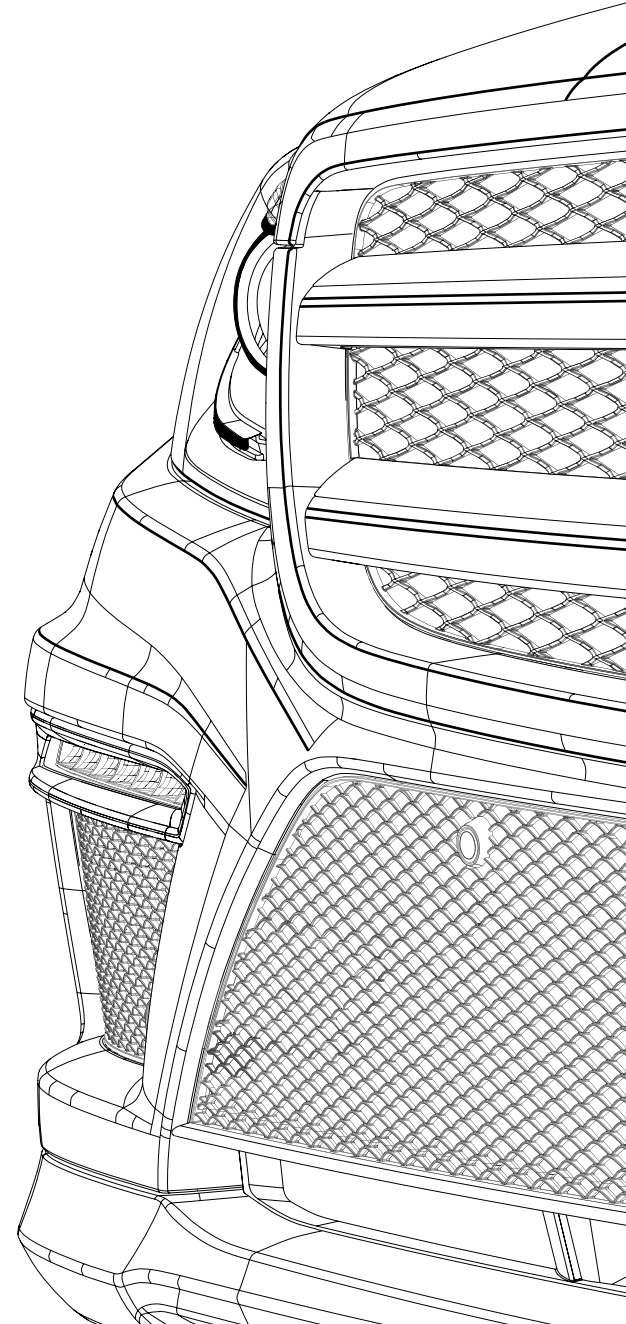
Mercedes me – welcome to a world that revolves entirely around you. We focus on people. No more so than when we developed a new platform for you to keep in close contact with Mercedes-Benz. With services that are tailored to your needs. “connect me” connects the vehicle to your world of experience, to everything that is important to you. “move me” provides new mobility solutions. And “inspire me” gives you an exclusive insight into the future of mobility. Your gateway to a fascinating world: www.mercedes.me

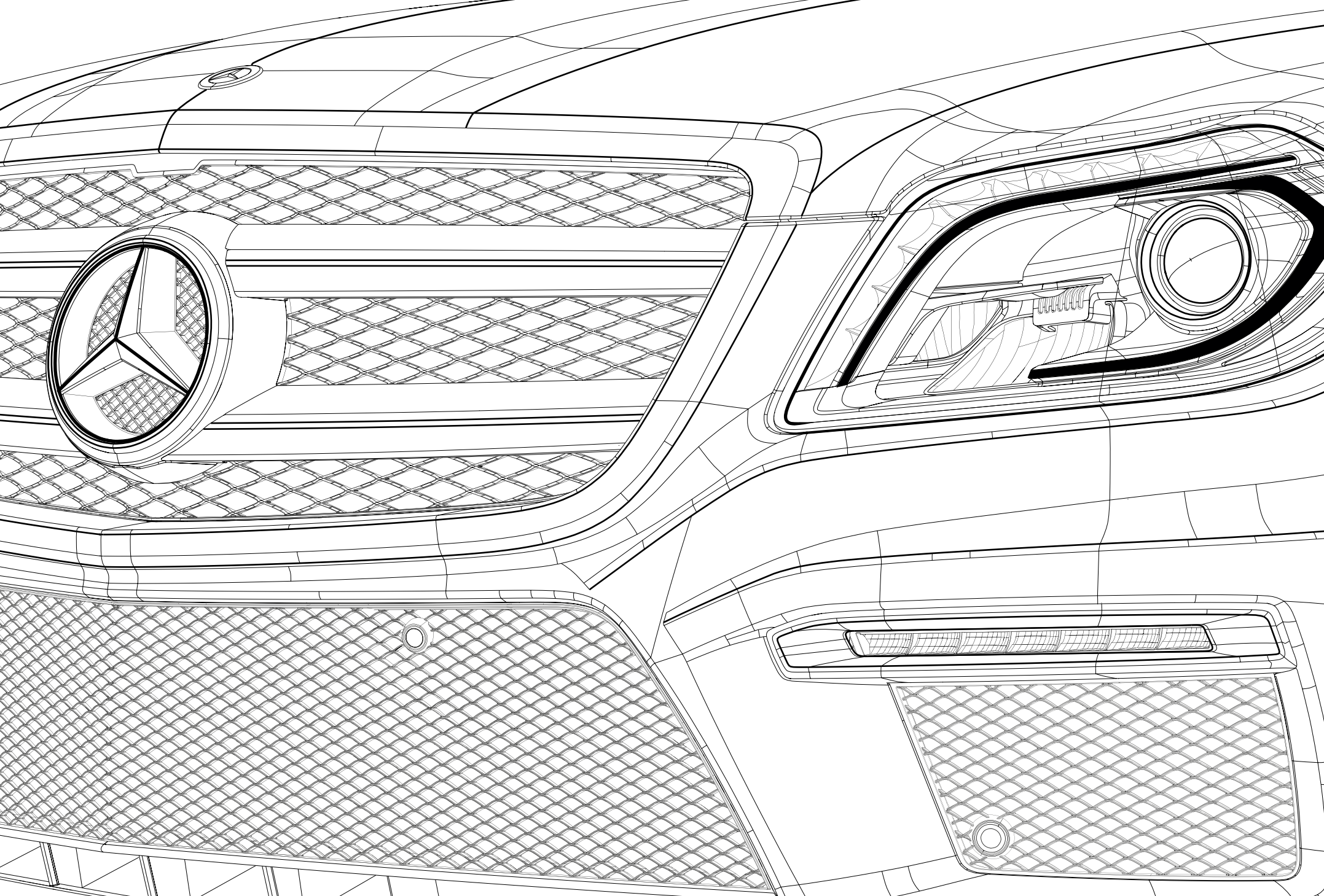


Mercedes-Benz Intelligent Drive – on the road to accident-free driving. We develop intelligent technologies that actively assist the driver and make driving tangibly easier. Valuable assistance systems are already available in your Mercedes-Benz: they help to maintain the distance to the vehicle in front automatically, brake the car when necessary and warn against imminent rear-end collisions or vehicles in the blind spot. The sensors of the driving assistance and safety systems are linked intelligently. Potential hazardous situations are detected earlier than ever and consequently avoided with increasing regularity. Discover the fascinating world of Mercedes-Benz Intelligent Drive at www.mercedes-benz-intelligent-drive.com

BlueEFFICIENCY – our vision of emission-free driving. Sustainability is a big word. And it's a prime consideration in absolutely everything we do. From minimising the environmental impact of our production operations to alternative drive concepts.

The aims are ambitious, as you can see. But what could be better than seeing these aims achieved whilst on a long drive in a Mercedes?





Diesel engine.

Not only does the BlueTEC diesel engine in the GL-Class impress with its refined pulling power; this applies just as much to the emission and consumption figures which have been further optimised in accordance with the Euro 6 emission class.

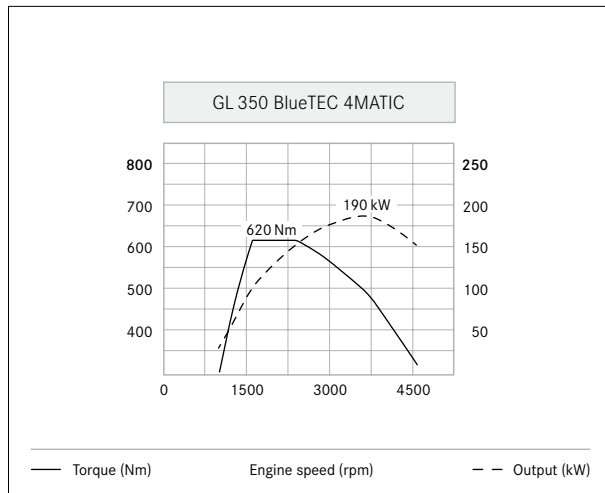
V6 engine. Thanks to third-generation common-rail technology, the uprated and consumption-optimised V6 diesel engine in the GL 350 BlueTEC 4MATIC is able to develop 190 kW (258 hp). Fast, precise piezo injectors, a high injection pressure of up to 1600 bar and a turbocharger with a variable nozzle turbine generate tremendous peak torque

of 620 Nm – together these translate into superior pulling power in all handling situations in conjunction with lower environmental impact and reduced fuel consumption. Expressed in figures: the output has been increased by up to 22%, while fuel consumption is up to 20% lower than for the comparable output classes of the previous model series. In addition, this engine is quiet-running enough to satisfy even the highest expectations.

the driver a consumption diagram of his journey in the speedometer field of the instrument cluster so that he can check how efficiently he is driving and make adjustments where required.

Optimised alternator management ensures consistent use of the engine's coasting phases as well as the braking process in order to recuperate kinetic energy. Meanwhile the radiator shutter reduces the aerodynamic drag when the engine requires only moderate cooling. And that is not all: measures such as tyres with low rolling resistance, intelligently controlled ancillaries and optimised aerodynamics help to boost the car's efficiency sustainably.

Thanks to the use of the further refined BlueTEC modular emission control system, the diesel engine complies with the Euro 6 emission standard. The BlueTEC catalytic converter technology is responsible for the cleaning and after-treatment of exhaust emissions, thereby making the diesel an environmentally compatible drive system. The ECO start/stop function, which is fitted as standard, ensures that the engine is automatically switched off as soon as the vehicle comes to a standstill, for example at traffic lights or in a traffic jam, so playing an important part in reducing consumption. The ECO display shows



The GL 350 BlueTEC 4MATIC reaches its maximum torque of 620 Nm in the engine speed range between 1600 and 2400 rpm.

Petrol engines.

This is how motoring pleasure and efficiency can happily coexist in an SUV: with powerful engines that offer markedly reduced CO₂ emissions and fuel consumption compared to the predecessor models.

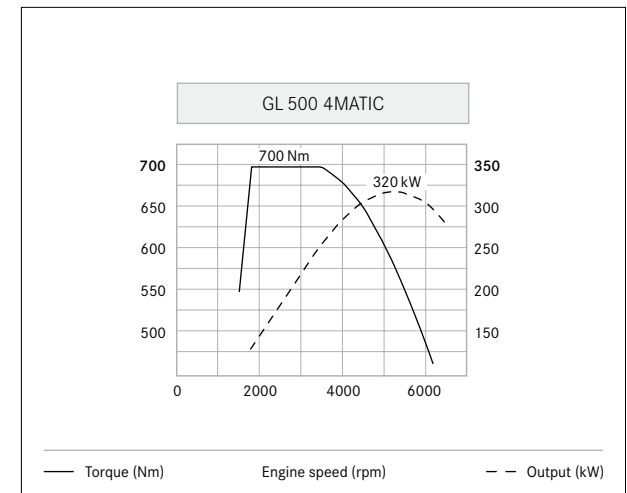
V8 engine. The BlueDIRECT petrol engine allows savings to be made with regard to consumption and emissions – without relinquishing dynamism or ride comfort. Compared with the previous model, the GL 500 4MATIC delivers 12% more output, while its torque is 32% higher and its fuel consumption and CO₂ emissions are both 17% lower.

This is due to factors such as lightweight construction techniques, the downsizing of the displacement to 4.7 litres, the latest-generation direct petrol injection system and the cutting-edge BlueEFFICIENCY technologies. Thanks to biturbocharging with intercooling the engine facilitates effortlessly superior driving dynamics in every situation. In figures: an output increased to 320 kW (435 hp) and a significantly higher maximum torque of 700 Nm from as low down as 1800 rpm, usable in a wide engine speed range up to 3500 rpm, plus impressive acceleration from 0 to 100 km/h in just 5.4 seconds.

Controlled ancillaries, intelligent alternator management and the use of systematic lightweight construction techniques are further measures contributing towards the high efficiency of the petrol engine line-up. It also goes without saying that they meet the requirements of the current Euro 6 emissions standard. Both the GL 500 4MATIC and the GL 400 4MATIC are fitted as standard with the ECO start/stop function and the ECO display, which provides information about fuel consumption and motivates to drive in an even more efficient way.

AMG 5.5-litre V8 engine. The top-of-the-range engine for the GL-Class comes in the form of the GL 63 AMG with a 5.5-litre V8 biturbo engine and 410 kW (557 hp) plus 760 Nm – an AMG engine with technology and dynamism from the world of motorsport. The biturbocharged AMG V8 engine delights with its agility, powerful sound

and efficiency. The latter is achieved through features such as direct petrol injection with spray-guided combustion, biturbocharging, alternator management and the ECO start/stop function.



The GL 500 4MATIC delivers peak torque of 700 Nm across the engine speed range from 1800 to 3500 rpm.

Transmissions.

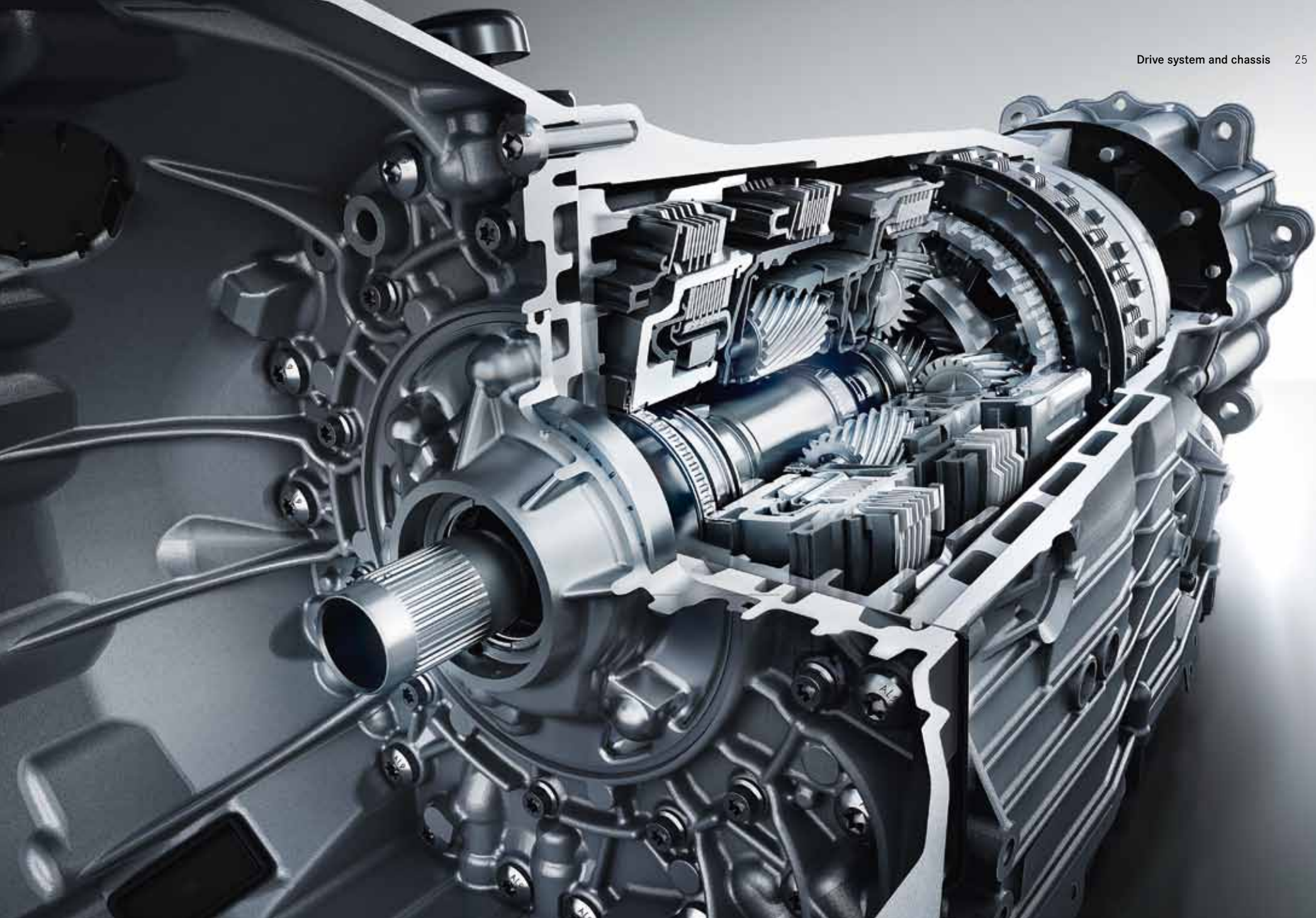
The 7G-TRONIC PLUS is optimally matched to every engine and continually adjusts to the current driving situation and individual driving style. In addition, the DIRECT SELECT lever allows intuitive and ergonomic control.

7G-TRONIC PLUS. The new GL-Class is fitted as standard with the enhanced 7G-TRONIC PLUS 7-speed automatic transmission and the DIRECT SELECT lever on the steering column. Seven forward gears ensure optimum revs at all times, thus reducing fuel consumption. In city traffic especially, the 7-speed automatic transmission brings about a further reduction in fuel consumption thanks to the ECO start/stop function, which stops the engine automatically when the vehicle comes to a halt. The further improved electrohydraulic control unit, together with optimised engine and transmission software, results in more dynamic gear changes and even greater shift quality. Furthermore, the vehicle responds more directly to changes at the accelerator pedal.

DIRECT SELECT. A flick of the DIRECT SELECT lever on the steering column allows the driver to switch between the automatic transmission settings P, N, R and D. The functional commands are transmitted purely by electronic means. Additional steering-wheel gearshift paddles also allow the seven gears to be preselected manually. Drivers can decide whether they want to change gears themselves using the steering-wheel shift paddles or whether to leave it to the automatic transmission.



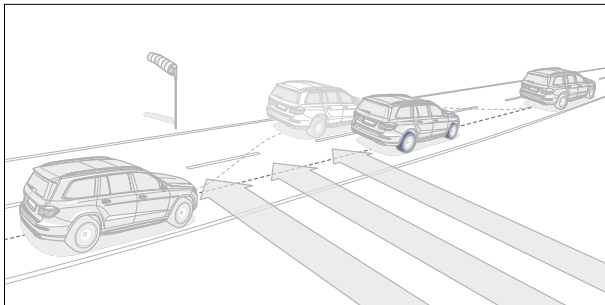
The driver can intervene manually in the gear selection using either the DIRECT SELECT lever or the shift paddles on the steering wheel.



Chassis & suspension.

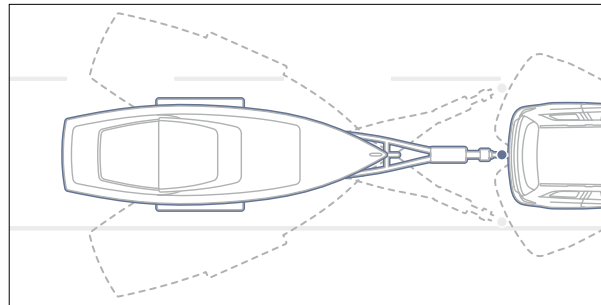
The basis for an extraordinary driving experience: working in concert with the permanent all-wheel drive system 4MATIC, the chassis and suspension enable the best possible traction and make for enhanced driving stability both on poor roads and in off-road use.

Crosswind Assist (standard). The GL-Class is the first model in its segment to include as part of its standard-specification Crosswind Assist, which recognises in good time the effects of sudden strong gusts of wind and can automatically reduce them through course-correcting brake actuations on the side of the vehicle facing into the wind. In order to do this the electronic brake control system ADAPTIVE BRAKE uses the data from the sensors in the Electronic Stability Program ESP®, the sensor system in the AIRMATIC air suspension and the steering control unit EPS.



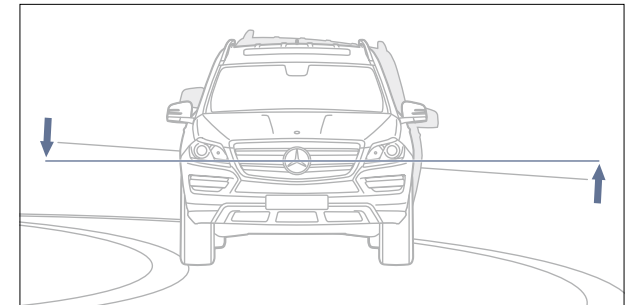
Enhances the driver's feeling of safety, above all when overtaking a truck or when crossing a bridge: Crosswind Assist.

Trailer Stability Assist (standard in conjunction with optional trailer coupling). When driving with a car/trailer combination, Trailer Stability Assist provides the driver with additional assistance over and above that provided by the standard-fit ESP® Electronic Stability Program. If the trailer starts swinging noticeably from side to side while driving, the system recognises the problematic driving situation and ensures the swinging stops quickly through repeated, short brake actuations.



Trailer Stability Assist, which uses the ESP® sensor system as its basis, helps to ensure a safer journey when towing.

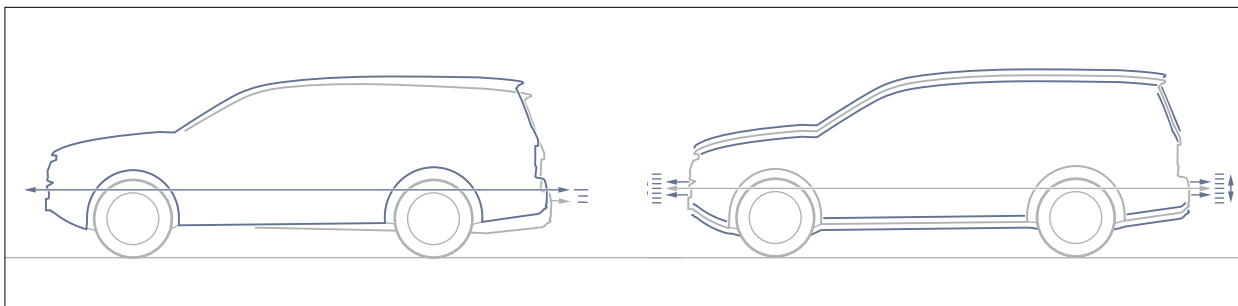
ACTIVE CURVE SYSTEM (option, standard for GL 63 AMG). The ACTIVE CURVE SYSTEM uses active stabilisers to reduce the roll angle of the vehicle when cornering, with the result that occupant comfort is enhanced. This makes for greater agility and driving enjoyment in the middle speed range on country roads as well as greater handling stability and improved straight-line stability at high motorway speeds. During off-road driving there is higher traction through the greater degree of articulation.



The ACTIVE CURVE SYSTEM reduces rolling movements to a minimum and increases ride comfort, agility and safety.

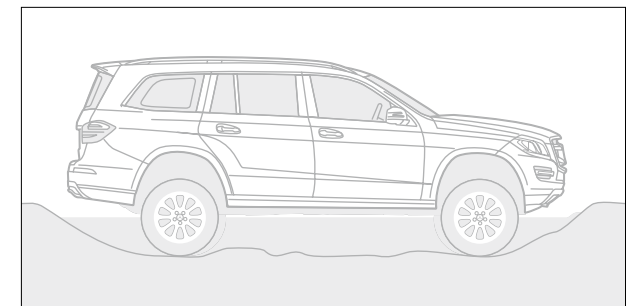
AIRMATIC (standard). The AIRMATIC air suspension uses the Adaptive Damping System (ADS) to adjust precisely to the condition of the road surface, driving style and load. As a result, both ride comfort and the car's dynamic handling characteristics on- as well as off-road are improved. The integral all-round level control makes it possible for the vehicle to remain at a consistent height, irrespective of the load. The driver is able to select either a comfortable or a sporty configuration. If necessary, the system will also switch of its own accord to a tauter setting. At high speeds the vehicle is automatically lowered by 15 mm,

a move that optimises driving stability and aerodynamics as well as fuel consumption. Below 70 km/h, the body is raised back to the normal level. Off the beaten track, the air suspension increases off-road capability with an additional vehicle level; if so required, the ground clearance can be increased by up to 75 mm at the touch of a button (in conjunction with the optional ON&OFFROAD package by up to 105 mm). In its highest off-road mode, AIRMATIC allows a fording depth of 500 mm (600 mm with ON&OFFROAD package) and an achievable ground clearance of 216 mm.



The integral all-round level control ensures that the vehicle remains at the same height irrespective of the load and allows the ground clearance to be altered.

Direct-Steer system (standard). The Direct-Steer system with speed-sensitive steering power assistance and a variable steering ratio considerably reduces the steering effort required in large steering angles through a ratio which becomes increasingly direct, for example when entering a parking space or in tight bends. On the other hand, straight-line stability at high speeds is particularly good. Vehicle agility and steering comfort improve across all speed ranges.



With a fording depth of 500 mm (600 mm with the ON&OFFROAD package) even river beds and stony ground present no obstacles.

Chassis & suspension.

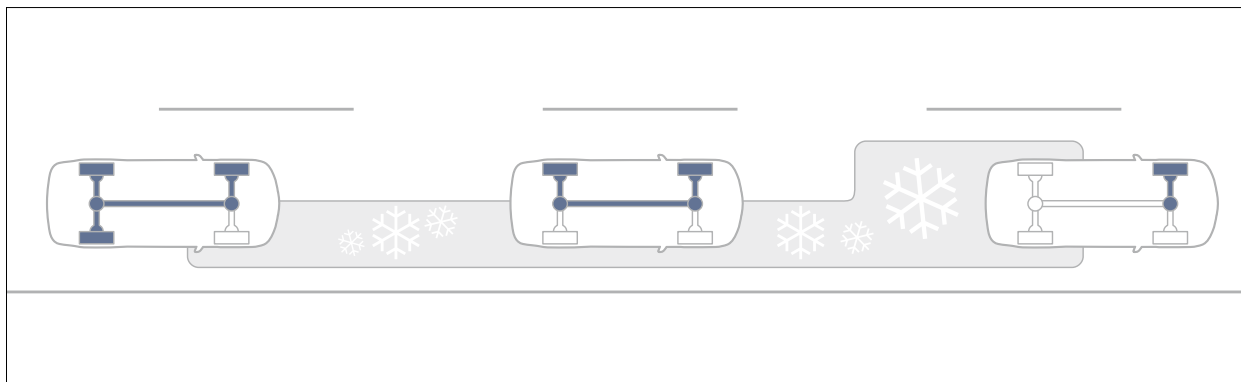
The chassis and suspension of the GL-Class ensure equally fine ride comfort and driving dynamics. Together with the permanent all-wheel drive system 4MATIC, they enable the best possible traction and make for enhanced driving stability both on poor roads and during off-road driving.

All-wheel drive system 4MATIC (standard). The permanent all-wheel drive system 4MATIC offers dynamic handling both on and off-road, and with that increased driving stability. Torque is distributed to the front and rear axles on a 50:50 basis. As the 4MATIC system is always active, it needs very little reaction time to intervene and distribute the available torque as required to all four wheels in unfavourable weather conditions such as rain, black ice or snow. The effectiveness of the all-wheel drive system is further supported by the Electronic Stability Program ESP® and the electronic traction system 4ETS with integrated ABS and ASR functions. 4ETS applies targeted braking

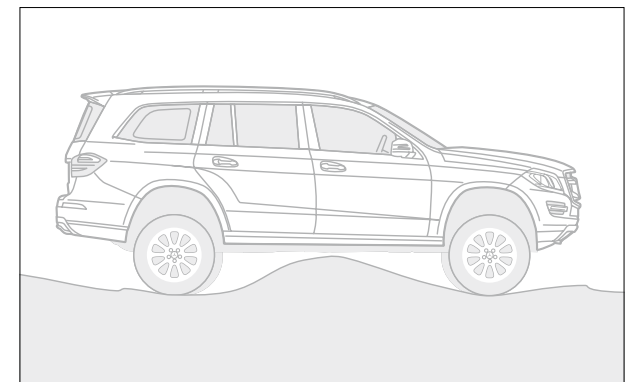
to spinning wheels and, by doing so, switches the drive torque to the wheels with good traction.

Off-road driving mode with off-road button (standard, not for GL 63 AMG). The off-road driving mode supports the driver when using the vehicle off-road by adapting the settings for the engine output, automatic transmission, anti-lock braking system ABS, Electronic Stability Program ESP® and electronic traction system 4ETS. Activation is via the off-road button in the centre console.

ON&OFFROAD package (option in conjunction with COMAND Online, not for GL 63 AMG). Activated in an instant, the ON&OFFROAD package allows the driver to exercise even greater control over the handling of the GL-Class, whether on or off the road. A rotary switch is used to make a selection from any of six pre-programmed driving modes with which the vehicle configuration can be adjusted to provide the best possible response to the current driving situation and road surface conditions. Elements and variables whose parameters are automatically adapted in line with the selected driving mode include the engine, transmission, ESP®, 4ETS, ASR, steering, ground



The electronic traction system 4ETS automatically transfers the drive torque to the wheels with the best traction.



At the touch of a button: effortlessly superior handling in any terrain.

clearance, air suspension and damping. The selected driving mode and animations of variables such as the gradient and angle of inclination are also shown in the COMAND display. The driver can choose between the following driving modes: AUTO (standard mode), Offroad 1 (sand and easy terrain), Offroad 2 (difficult terrain), Sport, Slippery and Trailer. Furthermore, additional functions such as a low-range ratio – for enhanced power, traction and handling safety in loose terrain – or a manual mode for the automatic transmission 7G-TRONIC PLUS, can be engaged. Other components of the package include a central differential lock as well as an underguard for the engine

and reinforced underbody panelling for the entire vehicle. In addition to all this there are three additionally selectable off-road driving levels, with which the ground clearance can be increased by 30, 60 or 90 mm, facilitating a maximum fording depth of 600 mm.

Downhill Speed Regulation DSR (standard). When the vehicle is negotiating steep downhill gradients, Downhill Speed Regulation allows the driver to set a speed of between 2 and 18 km/h which is maintained, within the bounds of physical possibility, through automatic control of the engine and transmission as well as the application of brak-

ing force. In this way DSR makes for more relaxed descents and enhances active safety during off-road driving.



A rotary switch in the centre console is used to set the desired driving mode.



Selected settings are shown in the COMAND display.

Integral safety concept.

We are driven by our vision of accident-free motoring. With our integral safety concept we are coming closer to achieving this goal – this is a holistic approach which can increase safety in every situation.

As the inventor of the car we feel that we have a special responsibility for road safety. This is why we are the first car manufacturer to have developed an integral safety concept that seamlessly blends measures to enhance active and passive safety to provide all-round protection. The holistic approach is subdivided into four phases and offers safety solutions for every situation. It includes systems for safe driving which help to avoid risks by warning you and coming to your aid in good time. Our unique PRE-SAFE® system kicks in in the event of danger and activates anticipatory measures for occupant protection. If a collision should occur despite these precautionary measures further technologies ensure protection as needed. We have also borne in mind the time immediately following an accident and developed solutions which can help prevent worse and facilitate rapid help.

A selection of these technologies for the “Safe driving”, “In the event of danger”, “In an accident” and “After an accident” phases is presented on the pages which follow.

Safe driving: ATTENTION ASSIST (standard). This innovative drowsiness detection system is particularly useful when undertaking long journeys. In the speed range between 80 and 180 km/h, sensors analyse the driving style and are able to detect any changes compared with a previously calculated individual driver profile. ATTENTION ASSIST warns the driver as soon as it detects signs of inattention or fatigue.



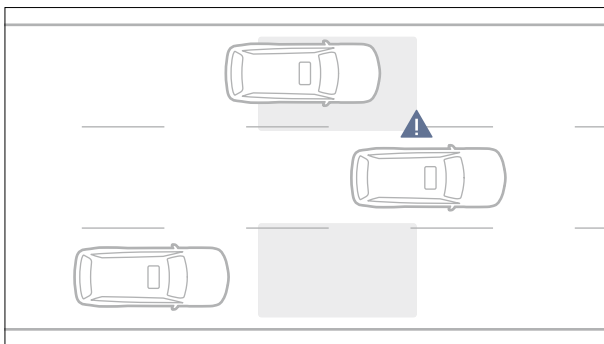
If ATTENTION ASSIST detects signs of driver drowsiness it recommends taking a break.

Safe driving: Active Lane Keeping Assist (part of the optional Driving Assistance package Plus). The Active Lane Keeping Assist system permanently monitors the road markings. If it is established that the white markings are being crossed in an uncontrolled way, the system warns the driver by discreetly vibrating the steering wheel. If the driver fails to react, the ESP® control function can apply braking selectively to the appropriate wheels in order to return the vehicle to the correct traffic lane.



Can warn of unintended lane changes and intervene if necessary: Active Lane Keeping Assist.

Safe driving: Active Blind Spot Assist (part of the optional Driving Assistance package Plus). The system is active at road speeds between 30 and 250 km/h and monitors the area left and right of the vehicle and to the rear of it. If a vehicle is detected in the surveillance area, a visible warning signal appears in the exterior mirror. Should the driver overlook this warning and start to change lanes despite an audible warning, the system can intervene actively with the help of ESP® and apply a moderate course correction.



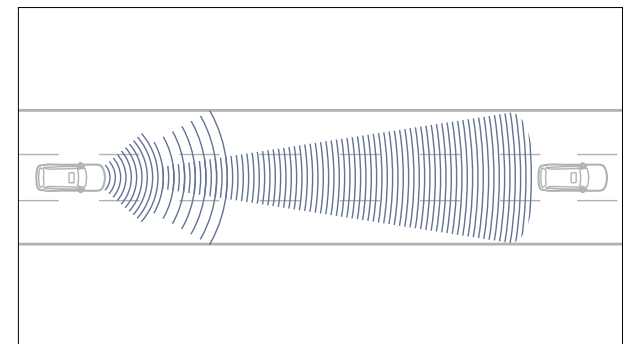
Active Blind Spot Assist can give a warning when changing lane and apply a braking force if necessary.

Safe driving: Night View Assist Plus with pedestrian detection (option in conjunction with COMAND Online). The COMAND display shows the entire area within the main-beam headlamp range, as captured by the infrared camera of the Night View Assist system, as a grey-scale image. This provides the driver with better orientation in situations without main-beam headlamps and allows him to react sooner to the presence of pedestrians either in or close to the road. In addition to this, pedestrians are marked on the display and can be perceived better thanks to the special pedestrian detection function.



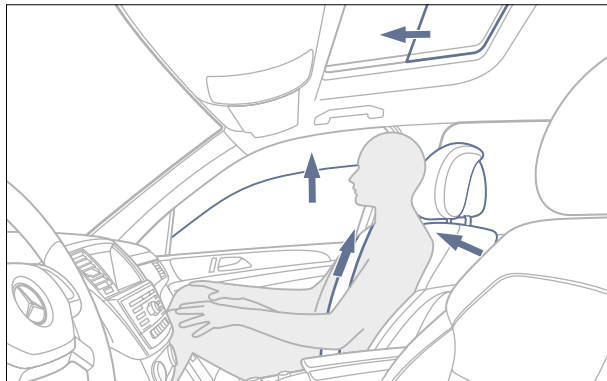
To ensure better driver awareness, Night View Assist Plus highlights pedestrians on the display.

Safe driving: DISTRONIC PLUS (part of the optional Driving Assistance package Plus). The proximity control system helps to maintain the desired distance to the vehicle in front. The system brakes the vehicle, if necessary to a standstill, and then accelerates it away again. With PRE-SAFE® Brake, full emergency braking can be initiated approx. 0.6 seconds before an accident that has been recognised as unavoidable and the severity of the accident thus reduced. In a critical braking situation, Brake Assist BAS PLUS is able to provide appropriate braking pressure.



DISTRONIC PLUS proximity control can brake the car to a standstill then accelerate it again, for example when driving in a queue of traffic.

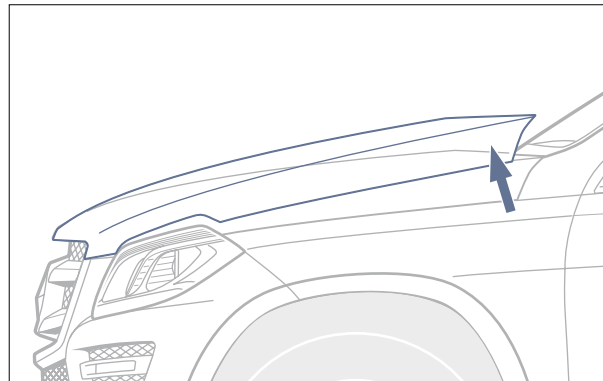
In the event of danger: PRE-SAFE® system (standard). The anticipatory occupant protection system PRE-SAFE® is able to recognise critical driving situations as they develop and initiate preventive measures to protect the occupants. The front seat belts can be reversibly tensioned, while open side windows or the optional sliding sunroof can be closed, depending on the driving situation. These measures allow the seat belts and airbags to be deployed as effectively as possible should an accident occur. The optional Memory function, including fully power-adjustable front seats, is in addition able to ensure that the front passenger seat is moved into a favourable position.



PRE-SAFE® can recognise critical driving situations and initiate preventive measures to protect the occupants.

In the event of danger: COLLISION PREVENTION ASSIST (standard). When travelling at speeds of more than 7 km/h, the system can recognise insufficient gaps to vehicles ahead or to stationary obstacles and, if it identifies danger ahead, provides the driver with visual and acoustic warnings. During simultaneous braking, Adaptive Brake Assist can place at the driver's disposal precisely the amount of braking power that is ideally required to prevent an impending collision.

In the event of danger: PRE-SAFE® Brake and BAS PLUS (part of the optional Driving Assistance package Plus). PRE-SAFE® Brake begins by giving the driver visual and audible warning of an impending collision. At this stage BAS PLUS calculates the brake pressure required if a collision is to be avoided. If the driver does not brake forcefully enough, the system will automatically increase the brake pressure. Should the driver fail to react to the audible signal, PRE-SAFE® Brake will intervene with autonomous partial braking, so giving a tangible warning. If the driver still fails to react, autonomous full application of the brakes can be initiated.

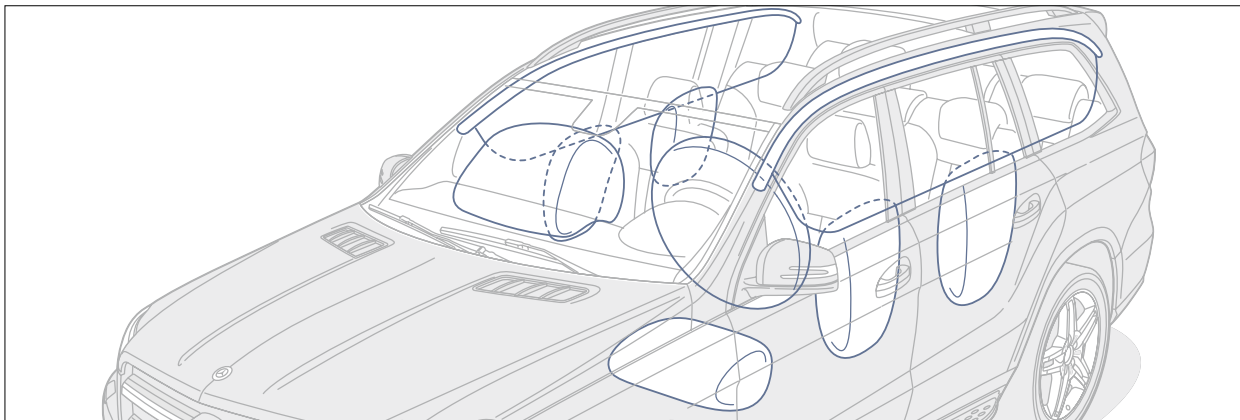


The active bonnet helps to reduce the risk of injury to pedestrians and cyclists in collisions.

In an accident: Pedestrian protection with active bonnet (standard, not for GL 63 AMG). The system can reduce the risk of injury to pedestrians and cyclists in a collision. If sensors in the front bumper detect an impact, they trigger a pyrotechnical device that raises the bonnet. The resulting increase in distance between the comparatively soft bonnet and the hard equipment in the engine compartment reduces the impact severity and can therefore diminish the risk of severe injuries.

In an accident: Restraint systems (standard). Three-point seat belts, belt tensioners, belt force limiters and airbags are optimally coordinated with each other in Mercedes-Benz vehicles, so as to keep injuries to a minimum wherever possible. The occupants of the GL-Class, for example, are protected by seven airbags that, in the event of an accident, can help to prevent injuries or to reduce the risk of injury. The front-seat occupants are protected by two adaptive front airbags that deploy in two stages, depending on the severity of the impact. The GL-Class also incorporates sidebags (thorax/pelvisbags) for the driver and front passenger within the front seat backrests as well as two

large windowbags above both seat rows. The kneebag can further reduce the forces exerted on the driver during an accident. Sidebags in the rear are available as an option. If the crash sensors detect an accident, the seat belts are tensioned in the blink of an eye by pyrotechnical means in order to hold the occupants firmly in their seats. At the same time the belt force limiters relax the seat belts as the situation allows, in order to minimise the forces imposed on the occupants' ribcages. The six seats in the GL-Class are all fitted with belt tensioners as well as belt force limiters. As you can see, when it comes to safety, Mercedes-Benz is playing a pioneering role in this area too.



Standard equipment includes windowbags, airbags and sidebags for the front-seat occupants as well as a driver kneebag.

¹ Available over the entire operating life of the vehicle in 19 European countries.

After an accident: Mercedes-Benz emergency call system¹ (part of COMAND Online). This system is able to send an automatic emergency call using a working mobile phone connected to the vehicle as soon as the restraint system recognises an accident. At the same time it communicates GPS positional data and other information to the Mercedes-Benz emergency call centre. A voice connection is then established. The emergency control system can also be triggered manually by the vehicle occupants.

Measures after an accident. In order to reduce consequential damage and, where necessary, to support the rescue of the occupants, Mercedes-Benz has developed further measures. These include automatic engine cut-off and activation of the hazard warning lamps and interior emergency illumination. The central locking also unlocks automatically, while crash joints between the door and wing on each side make it easier to open the doors after a frontal collision. Mercedes-Benz also provides multilingual rescue guidelines which emergency services can download online worldwide at www.mercedes-benz.de/rettungsleitfaden or from the After-Sales Portal Mercedes-Benz. So as you can see: Mercedes-Benz offers well thought-out safety whatever the situation.

Seats.

The three exclusively styled rows of seats and the high-quality interior of the GL-Class meet the most discerning of requirements.



Thanks to careful material selection and workmanship the seats contribute towards the high-class appeal of the interior.

Fully power-adjustable seats (standard). The seating in the GL-Class offers up to seven occupants a high level of comfort on long journeys, best-possible ergonomics and optimum lateral support plus a generous amount of space. Both the front seats are fully power-adjustable as standard and are also fitted with intuitively operated seat adjustment switches, set ergonomically within the door trim. Multicontour seats are available as an option at the front, as is seat heating for the first two rows of seats (standard for V8 models in each case), while climatized front seats can be ordered in combination with leather or designo leather upholstery. The climatized seat system comprises three-stage seat heating and active multi-stage ventilation to cool the seat surfaces.

Memory package (option for GL 350 BlueTEC 4MATIC and GL 400 4MATIC, standard for V8 models). The Memory package can store a total of three settings for the position of the front seats, the head restraint height, the steering column and the exterior mirrors. These can be called up again at any time with just a press of a button.

Climate control.

A pleasant interior climate is paramount when it comes to ensuring a high level of driver-fitness safety on long journeys.

THERMATIC (standard for GL 350 BlueTEC 4MATIC and GL 400 4MATIC). The automatic climate control uses sensors to control the temperature for the driver and front passenger separately and to control the ventilation automatically. The air distribution for the rear-seat passengers can be individually regulated. Also standard are air recirculation, a cooled glove compartment and a fine-particle activated charcoal filter, which reduces the dust, soot and pollen in the air as well as pollutants and odours.

THERMOTRONIC (standard for V8 models). The temperature and air distribution for the driver, front passenger and

rear passenger area can be set to three climate modes: DIFFUSE, MEDIUM and FOCUS. A separate control unit, air outlets in the B-pillar, air vents in the centre console and a booster blower ensure the ideal temperature in the rear. The automatic air recirculation function ensures that the quality of the air in the interior is good.

THERMOTRONIC in the rear (option in conjunction with THERMOTRONIC). The air conditioning system for both seat rows in the rear provides a separate heating and cooling system as well as four additional air outlets.

Heated multifunction steering wheel (option, not for GL 63 AMG). The steering wheel rim is heated to a temperature of approximately 35 °C – in this way a pleasant grip is ensured even at low temperatures.

Temperature-controlled cup holders (option). The temperature-controlled cup holders for the driver and front passenger keep the temperature of warm and cold beverages pleasantly constant in a temperature range between 8 °C and 55 °C. Bottles, cans and mugs are securely held and can be easily reached from both sides.



The THERMOTRONIC automatic climate control system operates extremely effectively without producing draughts. It is easy to use, fast to respond and quiet.



The temperature-controlled cup holders secure beverages against falling over and leaking and keep their temperature constant.

Load compartment management.

Thanks to its third row of seats, part of the standard specification, the GL-Class offers plenty of space for up to seven people. Furthermore, thanks to its generously proportioned interior and exemplary versatility, the GL-Class has what it takes to make its load compartment the largest in this segment.

An intelligent spatial concept and an array of good ideas on the subject of interior design: when there are seven people in the car the luggage compartment still offers a load capacity of 295 litres when the vehicle is loaded up to the upper edge of the rear seat backrest (390 litres up to the roof). When there are five occupants in the vehicle and the third row of seats is folded down there are 680 litres available when the vehicle is loaded up to the upper edge of the rear seat backrest, and 1320 litres up to the roof. In order to make full use of all the space available in the



The load compartment of the GL-Class can be extended as required.

GL-Class, just a few simple steps are necessary. If the seat backrests and cushions in the second row are split 40 : 60 and folded forwards, a level load compartment is created. Behind the tailgate a stowage space measuring up to 2300 litres with a virtually level load compartment floor opens up when the rear seats are completely folded down. A maximum load compartment length of around two metres provides considerable versatility for transporting different items. The flexible use of the load compartment is made easier thanks to six load-securing points in the floor, a



Room for 4, plus 2 metres of load compartment behind the front passenger seat.

folding bag hook on the right-hand side plus coat hooks in the rear door and on the rear grab handles. Optimum accessibility is ensured by the tailgate, which has headroom of 1.95 metres when opened, so also allowing plenty of freedom of movement when loading the vehicle. The standard-specification EASY-PACK load compartment cover protects the contents of the luggage compartment from intense sunlight and prying eyes. A lockable laptop compartment beneath the load compartment floor is available upon request.



The GL-Class has the largest load compartment in its segment.

Through-loading feature through rear armrest (option).

A through-loading feature through the armrest is available for the second row of seats, which makes it possible to transport long objects such as skis, while still allowing the two seats in the rear to be used. Long items of luggage can be stowed away quickly and easily, as the through-loading feature can be opened in a few simple steps via the folding armrest and a release catch in the load compartment.



Armrest with a practical through-loading feature above the rear armrest.

EASY-ENTRY system (standard). The EASY-ENTRY system makes light work of getting into the third seat row from either side of the vehicle. The backrests and seats of the second seat row can be split separately on a 40 : 60 basis and folded with very little effort. The release handles for unlatching the backrests and bench seats are located on the side of the respective outer seat in the second seat row. Upon request, the optionally available electronic EASY-ENTRY system also makes climbing into the third seat row from either side even easier – at the mere touch of a button. The switches are positioned on the top of the seat backrests: by operating the switches the head restraints can be retracted, the backrests folded down and the bench seat then folded forward.

Electrically operated EASY-PACK tailgate (standard). The EASY-PACK tailgate can easily be opened and closed automatically at the press of a button and thus facilitates convenient loading and unloading of the load compartment. The tailgate can be opened either via a switch in the driver's door or via the button on the ignition key. The drive system has an obstruction sensor thanks to an automatic

reversing function; if required the opening angle can be limited in any position at any time, which is very practical in the garage, for instance. The automatic closing procedure can be activated via the switch on the inside of the tailgate, via the radio remote control keys and via the switch in the driver's door. As the tailgate no longer has to be touched in order for it to open and close, this reduces the risk of soiling hands and clothes when loading and unloading the luggage compartment. Manual opening and closing is possible via the release handle on the tailgate.

Lights.

Seeing and being seen in the dark is not only a question of safety; it is also about style and design – at least where the GL-Class is concerned.

Intelligent Light System (option for GL 350 BlueTEC 4MATIC and GL 400 4MATIC, standard for V8 models). This adaptive headlamp system can adjust itself automatically to the prevailing light and driving conditions. It features bi-xenon headlamps with five functions: country mode, motorway mode, enhanced fog lamps, cornering light function and active light function. Furthermore, Adaptive Highbeam Assist ensures that the optimum headlamp range is always available – without dazzling the oncoming traffic or vehicles in front.



Adaptive Highbeam Assist automatically always provides the best possible headlamp range, thereby improving visibility for the driver.

Tail lights in LED fibre-optic technology (standard). The tail lights in LED fibre-optic technology underline the striking exterior of the vehicle in that they highlight the characteristic profile of the rear assembly. They are characterised by high security against failure, high energy efficiency and a long service life. The tail lamp and side marker lamp feature an LED fibre-optic technology design, whilst the direction indicator lamp is in LED technology and the brake lamp, reversing lights and rear fog lamp have conventional bulbs.



The lights in LED fibre-optic technology dominate the tail-end view of the GL-Class.

Ambient lighting (option). Housed in the trim on the dashboard and door panels, the ambient lighting bathes the interior of the vehicle in a pleasantly indirect light. This lends the interior design a stylishly exclusive air and emphasises the generous and exclusive impression given by the interior. The ambient lighting is continuously dimmable in the three colour shades neutral (white), solar (amber) and polar (ice blue), which enables the lighting mood to be individually selected.



The ambient lighting ensures a stylish emphasis on the interior in darkness, thus also facilitating orientation inside the vehicle.

Multimedia systems.

The full current range of Becker® MAP PILOT entertainment and navigation systems, the COMAND Online multimedia system and the Rear Seat Entertainment System for the rear passengers is available on request for the GL-Class.

Audio 20 CD (standard). The Audio 20 CD system combines the key functions of a fully-fledged entertainment system: a radio, CD player and MP3 player as well as USB and Bluetooth® interfaces. The screen diagonal has been increased to 14.7 cm. A 6-disc CD changer is also available upon request.

Becker® MAP PILOT (option). The Becker® MAP PILOT upgrades Audio 20 CD to a fully-fledged navigation system. The control unit can be connected in the glove compartment in just a couple of simple steps, and can be removed at any time. Individual additional functions and map updates can be integrated via downloading.

COMAND Online (option). This feature combines audio and navigation systems with telephone and internet functionality. Entertainment is provided by a DVD drive and the Music Register with a 10 GB hard disc, while SPLITVIEW technology allows the driver and front passenger each to view different content at one and the same time in the COMAND display. Access to the internet and to mobile services provided by Mercedes-Benz is possible via an internet-enabled mobile phone.

¹ 3 years of free use, available in 12 countries.

Live Traffic Information¹ (part of COMAND Online). This service allows the reception of up-to-date and precise traffic information in real time for optimised dynamic route guidance and a more accurate estimated time of arrival. The data are transferred via a communications module that uses an integral SIM card with data roaming to provide the connection to the internet.

Harman Kardon® Logic 7® surround sound system (option). 14 high-performance loudspeakers, a total output of 830 watts and Logic 7® multi-channel surround sound



SPLITVIEW shows the driver and front passenger different content at the same time.

technology make every journey a flawless musical occasion. The automatic volume control adjusts according to the speed of the vehicle.

Rear Seat Entertainment System (option). The Rear Seat Entertainment System comprises a DVD player, two TFT colour displays with a screen diagonal of 20.3 cm, two sets of wireless headphones and a remote control unit. The two displays can be used independently of one another. Passengers can even watch live television in the GL-Class using the optional TV receiver.



The two displays for the Rear Seat Entertainment System are mounted on the front-seat head restraints.

Assistance systems.

Innovative, optional assistance systems can support the motorist in various driving situations, enhancing the feeling of comfort and security in the GL-Class.



The 360° camera produces an image of the GL-Class and its immediate surroundings from a bird's-eye view.

Parking package with 360° camera (option). The Parking package includes the 360° camera, for monitoring all four sides of the vehicle, as well as Active Parking Assist including PARKTRONIC. The 360° camera feature comprises a close-range camera system with four cameras and a control unit, networked together to display a bird's-eye view of the vehicle and its surroundings. One camera is mounted in the radiator grille at the front, there is one in each exterior mirror and a further one in the centre of the tailgate. The virtual vantage point covers an area extending approximately 3 metres to the front and rear of the vehicle as well as the areas to the sides. Visible obstacles below the window line are displayed, so making a controlled approach to the kerb possible. The representation shown on the central display also provides visual support during off-road driving. Additional guide lines are superimposed in the display to support the driver when reverse is selected.

Active Parking Assist, including PARKTRONIC (option for GL 350 BlueTEC 4MATIC and GL 400 4MATIC, standard for V8 models). Active Parking Assist automatically looks for a suitable parking space and then parks the vehicle at the touch of a button, with the driver only required to operate the accelerator and brakes after stopping, accepting the proposed parking space and selecting reverse. The system's ten ultrasonic sensors measure the distance to the vehicles to the front and rear. A control unit processes the signals from the sensors and calculates the optimum way to manoeuvre into the space.



The system completes the automatic parking procedure in a maximum of five moves.

Reversing camera with guide lines in display (option). The reversing camera with wide-angle lens sends real-time images of the area directly behind the car to the COMAND display. It is activated when reverse gear is engaged, thus enhancing safety when reversing into a parking space. The reversing camera is only available in conjunction with COMAND Online.



During parking, the COMAND Online central display shows the area behind the car with the reversing camera.

Speed Limit Assist (part of the optional COMAND Online system). A windscreen-mounted camera permanently monitors the area around the car and is able to recognise speed limit signs. These are shown either in the instrument cluster or on the central display screen of the COMAND Online system. The driver is thus kept aware of the currently applicable speed limit – a particularly useful feature on stretches with variable speed limits or where there are roadworks. The speed limits displayed are automatically compared with the data from the digital road map of the navigation system.



Speed Limit Assist can also display temporary speed limits in the instrument cluster.



GL 63 AMG exterior.

AMG – all over the world these three letters stand for leading-edge technology, exclusivity and driving dynamics at the highest level. In the case of the GL-Class this unique combination opens up whole new dimensions. The GL 63 AMG impresses with its powerfully distinctive AMG design, thrilling performance with the AMG biturbo V8 and 410 kW (557 hp) plus sportily luxurious equipment and appointments. Furthermore, the GL 63 AMG is the only vehicle to combine sporty motoring pleasure up to a top speed of 270 km/h (with the optionally available AMG Driver's package) with seven seats.



Exterior

ACTIVE CURVE SYSTEM with active roll stabilisation

AMG high-performance braking system with internally ventilated and perforated front brake discs plus brake callipers with AMG logo, painted silver

AMG 5-twin-spoke light-alloy wheels, painted titanium grey and with a high-sheen finish, with 295/40 R 21 tyres

AMG SPEEDSHIFT PLUS 7G-TRONIC with ECO start/stop function

AMG sports exhaust system with two chrome-plated twin tailpipes

AMG speed-sensitive sports steering

AMG bodystyling with exclusively styled front and rear aprons plus wheel-arch flaring at the front and rear

Intelligent Light System

Aluminium-look running boards with rubber studs, illumination with LED technology





GL 63 AMG interior.

The sportily expressive exterior of the GL 63 AMG is reflected in the stylishly exclusive interior. For this is where high-quality materials and traditional craftsmanship are combined with a sporty design, as illustrated by the AMG sports seats with leather upholstery, for example. The AMG performance steering wheel in nappa leather with perforation in the grip area and silver-coloured AMG aluminium gearshift paddles plus the AMG instrument cluster with a colour display and AMG main menu make the dynamic character of the interior tangible.



Interior

AMG door sill panels in brushed stainless steel with "AMG" lettering

AMG floor mats

AMG performance steering wheel in perforated black nappa leather, with flattened bottom section and silver-coloured aluminium shift paddles

AMG sports seats with an AMG-specific seat upholstery layout and AMG badge on the seat backrests

Chrome-look electronic key with AMG emblem

THERMOTRONIC luxury automatic climate control

Multicontour seats for driver and front passenger

Single-tone leather upholstery (on request two-tone or designo Exclusive leather)

Heated seats for driver and front passenger as well as in the rear (2nd row)

Brushed stainless steel sports pedals and footrest with rubber studs



Standard equipment | Selection.



Rod-shaped LED daytime running lamps.



Upholstery in ARTICO man-made leather.



Multifunction steering wheel in nappa leather with 12 function buttons and steering-wheel gearshift paddles.



EASY-ENTRY system, manual, left/right in 3rd seat row.



Sliding glass sunroof, electrically operated, chrome-look roof rails.



Switch for electrically adjusting the front seats.



THERMATIC automatic climate control with 2 climate zones.



Audio 20 CD.

Optional extras | Selection.



Electric panoramic sliding glass sunroof.



EASY-ENTRY system, electric, left/right in 3rd seat row.



COMAND Online multimedia system.



Controls for climatized front seats.



Aluminium-look running boards with rubber studs, LED illumination (standard for GL 63 AMG).



Heat-insulating, dark-tinted glass, all-round from B-pillar.



Bang & Olufsen BeoSound AMG high-end surround sound system.



Media Interface.



AMG Exterior Sports package.

An even more dynamic vehicle character with enhanced individuality is available courtesy of the optional AMG Exterior Sports package (available for the GL 350 BlueTEC 4MATIC, GL 400 4MATIC and GL 500 4MATIC). It offers exterior differentiation which is discernible at first glance, with AMG-specific front and rear aprons, illuminated running boards plus powerful wheel-arch flaring. A real feast for the eyes comes in the form of the high-sheen AMG 5-twin-spoke light-alloy wheels with 295/40 R 21 tyres, whilst perforated front brake discs with a brake calliper cover perfect this irresistible look.



Exterior

AMG 5-twin-spoke light-alloy wheels, painted titanium grey with a high-sheen finish, with 295/40 R 21 tyres on 10 J x 21 (Code 798, optionally available)

AMG 5-twin-spoke light-alloy wheels with 295/40 R 21 tyres on 10 J x 21 (Code 757, exclusively for AMG Exterior Sports package)

AMG bodystyling, comprising AMG-specific front and rear apron, painted in the vehicle colour (visible tailpipe trim only on GL 500 4MATIC)

Wheel-arch flaring

Sports brakes with perforated front brake discs and brake calliper covers with "Mercedes-Benz" lettering

Aluminium-look running boards with rubber studs, with LED illumination (side sill panels in black)





designo Exclusive package.

The designo Exclusive package lends the GL-Class a particularly fine sense of perceived value through a stylishly coordinated interior at the highest level of quality. This means that discerning customers now have even more opportunities when it comes to underlining the individuality and exclusivity of their vehicle through diverse attractive details.



Interior

All the trim elements shown on pages 52-57 can be selected as part of the designo Exclusive package

Door and centre console armrests, as well as handrest, in designo leather in the respective designo upholstery colour

Black designo velour floor mats with edging in designo black leather, including designo metal badges

designo roof liner, including sun visors in black DINAMICA microfibre

Upper and lower dashboard section and beltlines in black designo leather (in the case of designo marron leather upper dashboard section marron)

Upholstery (perforated) and door centre panels in designo leather with diamond quilting¹, including designo metal badges in the seat backrests

Seat heating for driver's and front passenger seat

Choice of designo marron (X06), black (X11) or porcelain (X27) leather

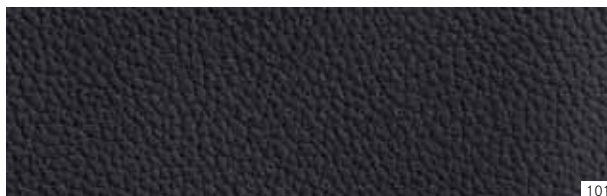
¹ Without diamond quilting, and with AMG metal badges in the seat backrests, as an alternative for the GL 63 AMG.



Upholstery and trim.



For the black colour scheme there is a choice of seats in ARTICO man-made leather (standard for the GL 350 BlueTEC 4MATIC and GL 400 4MATIC) and in leather (standard for the GL 500 4MATIC and GL 63 AMG). The interior is predominantly in black and is contrasted with the roof liner in alpaca grey. The trim is in high-gloss brown eucalyptus (GL 350 BlueTEC 4MATIC and GL 400 4MATIC) and brown open-pore ash wood (GL 500 4MATIC, on request for other models), in the GL 63 AMG in high-gloss black poplar wood (as an option for other models).



101



201



739



H09



734



729



731



W69

black

101¹ | 201² Leather

Trim

739	aluminium with light longitudinal grain ³
H09	brown open-pore ash wood ⁴
734	high-gloss brown eucalyptus wood ⁵
729	high-gloss black poplar wood ⁶
731	high-gloss brown burr walnut wood ³
W69	designo black piano lacquer ³

¹ ARTICO man-made leather, standard for GL 350 BlueTEC 4MATIC and GL 400 4MATIC, not available for GL 500 4MATIC, GL 63 AMG. ² Optional extra, standard for GL 500 4MATIC, GL 63 AMG. ³ Optional extra. ⁴ Optional extra, standard for GL 500 4MATIC.

⁵ Standard for GL 350 BlueTEC 4MATIC and GL 400 4MATIC, not available for GL 500 4MATIC, GL 63 AMG. ⁶ Optional extra, standard for GL 63 AMG.



For the almond beige colour scheme there is a choice of seats in ARTICO man-made leather (standard for the GL 350 BlueTEC 4MATIC and GL 400 4MATIC) and in leather (standard for the GL 500 4MATIC and GL 63 AMG). The interior (seat covers, door centre panels, roof liner, carpet) is predominantly in almond beige, contrasted with the upper section of the dashboard and the steering wheel in mocha brown. The trim is in high-gloss brown eucalyptus (GL 350 BlueTEC 4MATIC and GL 400 4MATIC) and brown open-pore ash wood (GL 500 4MATIC, on request for other models), in the GL 63 AMG in high-gloss black poplar wood (as an option for other models).



105



205



739



H09



734



729



731



W69

almond beige

105¹ | 205² Leather

Trim

- 739 aluminium with light longitudinal grain³
 - H09 brown open-pore ash wood⁴
 - 734 high-gloss brown eucalyptus wood⁵
 - 729 high-gloss black poplar wood⁶
 - 731 high-gloss brown burr walnut wood³
 - W69 designo black piano lacquer³
-

¹ ARTICO man-made leather, standard for GL 350 BlueTEC 4MATIC and GL 400 4MATIC, not available for GL 500 4MATIC, GL 63 AMG. ² Optional extra, standard for GL 500 4MATIC, GL 63 AMG. ³ Optional extra. ⁴ Optional extra, standard for GL 500 4MATIC. ⁵ Standard for GL 350 BlueTEC 4MATIC and GL 400 4MATIC, not available for GL 500 4MATIC, GL 63 AMG. ⁶ Optional extra, standard for GL 63 AMG.



For the alpaca grey colour scheme there is a choice of seats in ARTICO man-made leather (standard for the GL 350 BlueTEC 4MATIC and GL 400 4MATIC) and in leather (standard for the GL 500 4MATIC and GL 63 AMG). The interior (seat covers, door centre panels, roof liner) is predominantly in alpaca grey, contrasted with the steering wheel, upper section of the dashboard and the carpet in darker basalt grey. The trim is in high-gloss brown eucalyptus (GL 350 BlueTEC 4MATIC and GL 400 4MATIC) and brown open-pore ash wood (GL 500 4MATIC, on request for other models), in the GL 63 AMG in high-gloss black poplar wood (as an option for other models).



108



208



739



H09



734



729



731



W69

alpaca grey

108¹ | 208² Leather

Trim

739	aluminium with light longitudinal-grain ³
H09	brown open-pore ash wood ⁴
734	high-gloss brown eucalyptus wood ⁵
729	high-gloss black poplar wood ⁶
731	high-gloss brown burr walnut wood ³
W69	designo black piano lacquer ³

¹ ARTICO man-made leather, standard for GL 350 BlueTEC 4MATIC and GL 400 4MATIC, not available for GL 500 4MATIC, GL 63 AMG. ² Optional extra, standard for GL 500 4MATIC, GL 63 AMG. ³ Optional extra. ⁴ Optional extra, standard for GL 500 4MATIC.

⁵ Standard for GL 350 BlueTEC 4MATIC and GL 400 4MATIC, not available for GL 500 4MATIC, GL 63 AMG. ⁶ Optional extra, standard for GL 63 AMG.



The optional tobacco brown/marron/black colour scheme sports leather upholstery in the colour shades tobacco brown and marron as well as door centre panels in marron. The dashboard, roof liner, carpet and leather steering wheel here are in a contrasting black. The trim is in high-gloss brown eucalyptus wood (GL 350 BlueTEC 4MATIC and GL 400 4MATIC) and in brown open-pore ash wood (GL 500 4MATIC, on request for other models). The GL 63 AMG has trim in high-gloss black poplar wood, which is available as an option for the two other models.



254



tobacco brown/marron/black

254 Leather¹

Trim

- 739 aluminium with light longitudinal grain¹
 - H09 brown open-pore ash wood²
 - 734 high-gloss brown eucalyptus wood³
 - 729 high-gloss black poplar wood⁴
 - 731 high-gloss brown burr walnut¹
 - W69 designo black piano lacquer¹
-

¹ Optional extra. ² Optional extra, standard for GL 500 4MATIC. ³ Standard for GL 350 BlueTEC 4MATIC and GL 400 4MATIC, not available for GL 500 4MATIC, GL 63 AMG. ⁴ Optional extra, standard for GL 63 AMG.



The optional almond beige/black colour scheme sports leather upholstery and door centre panels in the colour shade almond beige. The dashboard, roof liner, carpet and leather steering wheel here are in a contrasting black. The trim is in high-gloss brown eucalyptus wood (GL 350 BlueTEC 4MATIC and GL 400 4MATIC) and in brown open-pore ash wood (GL 500 4MATIC, on request for other models). The GL 63 AMG has trim in high-gloss black poplar wood, which is available as an option for the two other models.



255



739

H09

734

729

731

W69

almond beige/black

255 Leather¹

Trim

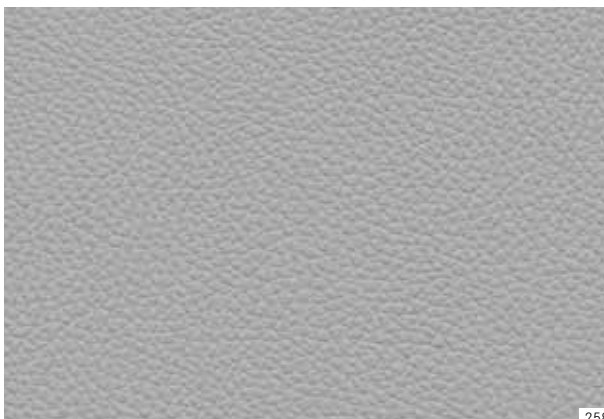
739 aluminium with light longitudinal grain¹H09 brown open-pore ash wood²734 high-gloss brown eucalyptus wood³729 high-gloss black poplar wood⁴731 high-gloss brown burr walnut¹W69 designo black piano lacquer¹

¹ Optional extra. ² Optional extra, standard for GL 500 4MATIC. ³ Standard for GL 350 BlueTEC 4MATIC and GL 400 4MATIC, not available for GL 500 4MATIC, GL 63 AMG.

⁴ Optional extra, standard for GL 63 AMG.



The optional alpaca grey/black colour scheme sports leather upholstery and door centre panels in the colour shade alpaca grey. The dashboard, roof liner, carpet and leather steering wheel here are in a contrasting black. The trim is in high-gloss brown eucalyptus wood (GL 350 BlueTEC 4MATIC and GL 400 4MATIC) and in brown open-pore ash wood (GL 500 4MATIC, on request for other models). The GL 63 AMG has trim in high-gloss black poplar wood, which is available as an option for the two other models.



258



739

H09

734

729

731

W69

alpaca grey/black	
258	Leather ¹
Trim	
739	aluminium with light longitudinal grain ¹
H09	brown open-pore ash wood ²
734	high-gloss brown eucalyptus wood ³
729	high-gloss black poplar wood ⁴
731	high-gloss brown burr walnut ¹
W69	designo black piano lacquer ¹

¹ Optional extra. ² Optional extra, standard for GL 500 4MATIC. ³ Standard for GL 350 BlueTEC 4MATIC and GL 400 4MATIC, not available for GL 500 4MATIC, GL 63 AMG. ⁴ Optional extra, standard for GL 63 AMG.

Wheels.



10-spoke light-alloy wheels with 265/60 R 18 tyres
(standard for GL 350 BlueTEC 4MATIC and GL 400 4MATIC, Code R41).



5-twin-spoke light-alloy wheels with 275/55 R 19 tyres
(optional, standard for GL 500 4MATIC, Code R55).



10-spoke light-alloy wheels with 275/50 R 20 tyres, painted himalayas grey
with a high-sheen finish (optional, Code 50R).



7-spoke light-alloy wheel with 265/60 R 18 tyres (optional, Code 52R).



7-spoke light-alloy wheels with 275/55 R 19 tyres (optional, Code 06R).



5-twin-spoke light-alloy wheels with 275/50 R 20 tyres (optional, Code R33).



AMG 5-spoke light-alloy wheels with 295/40 R 21 tyres, with a high-sheen finish (standard for AMG Exterior Sports package, Code 757).



AMG 5-twin-spoke light-alloy wheels with 295/40 R 21 tyres, painted black with a high-sheen rim flange (optional, Code 695).



7-spoke light-alloy wheels¹ for 265/60 R 18 tyres, painted titanium silver (genuine accessory).



AMG 5-twin-spoke light-alloy wheel with 295/40 R 21 tyres, painted titanium grey with a high-sheen finish (standard for GL 63 AMG, Code 777).



AMG 5-twin-spoke light-alloy wheels with 295/40 R 21 tyres, painted titanium grey with a high-sheen finish (optional, Code 798).



5-twin-spoke light-alloy wheels¹ for 275/55 R 19 tyres, painted titanium silver (genuine accessory).

¹Wheels from the genuine accessories range are supplied without tyres, wheel hub covers or wheel bolts; availability depends on engine and selected equipment; contact your Mercedes-Benz dealer for more information.

Genuine accessories.

A Mercedes-Benz can be a travel companion, an office or a living space. The Mercedes-Benz range of genuine accessories is precisely matched to the GL-Class to enable it to perform this wide variety of roles to the full.

Spacious, versatile and practical – few vehicles offer quite such scope for an active lifestyle as the GL-Class. Genuine accessories can be added to enhance and individualise use of this already spacious basis. For example the Alustyle Easy-Fix II basic carrier bars as a coordinated addition to the standard-specification chrome-look roof rails. Together they offer secure support for the combined ski and snowboard rack or the versatile

Mercedes-Benz roof boxes, which make additional stowage space available. Thanks to an adapted aerodynamic design they blend harmoniously into the overall appearance of the GL-Class. In order for them to be able to meet a wide range of individual expectations, the roof boxes – made of extremely durable material – are available in different colours and sizes.

The high-sheen chromed fin embellishers for the bonnet complete the chrome finish of the GL-Class in style. Available as a six-part set, the sporty and elegant embellishers are a quick and easy way of giving the GL-Class a unique look and are precision-engineered for fast and easy fitting.



The basic carrier bars for roof rails and the roof box open up the route to an array of transport and leisure solutions.



Quickly fitted, the chromed fin embellishers create a striking effect.

The iPad® Rear Integration Plus docking station enables the Apple® iPad®, too, to be integrated easily into the rear of the new GL-Class. All the entertainment options stored on the tablet computer remain available while the vehicle is on the move, while the battery can be charged at the same time. Available for the iPad®, iPad® 2, iPad® 3 and iPad® 4.



The iPad® Rear Integration Plus docking station makes all the functions of the iPad® readily available in the rear of the GL-Class.

Mercedes star, illuminated: The star on the radiator of your GL-Class is something of a shooting star: set into the radiator grille, the centrally positioned star lights up when the car is locked or unlocked by remote control and when the door or tailgate is opened. The system only works when the engine is switched off and is not available in conjunction with DISTRONIC PLUS.



Fibre-optic and LED technology makes your Mercedes star shine.



More than simply a star. A whole universe.

The range of **services from Mercedes-Benz**. Every Mercedes brings with it as a standard feature a reassuring feeling of safety on the road. But if you ever do need help, we're here for you around the clock. You can reach us from anywhere in Europe on the toll-free number 00800 1 777 7777¹ (or alternatively direct through Mercedes-Benz Contact²).

Ensuring that you can keep moving in the event of a technical breakdown, accident, vandalism or even misfuelling, the **Mercedes-Benz mobility package Mobilo³** is included as part of the standard specification. It covers the cost of local assistance, for example for towing your car away or for a replacement vehicle – and will do so in more than 40 countries across Europe for up to 30 years³. Furthermore, for the first four years following initial registration of the vehicle, Mobilo offers special mobility services in the case of workshop visits involving warranty or goodwill situations.

Avoid unexpected workshop costs⁴: a **Mercedes-Benz Service Contract** covers unforeseeable repairs, maintenance or wear parts, depending on the specific contract. Your local Mercedes-Benz dealer will be pleased to provide information about available Service Contracts and terms and conditions.

Mercedes-Benz Financial Services. Drive a Mercedes-Benz and remain flexible when it comes to payment: our attractive leasing and finance products make this possible – matched to your requirements and needs. We will also be happy to offer you a range of detailed insurance proposals. Just speak to your Mercedes-Benz dealer, who will be happy to provide information about our current range of financial services, terms and conditions.

¹ Alternatively: +49 69 95 30 72 77. Calls to a landline are chargeable. ² Calls from a mobile phone to a landline are chargeable. ³ When it expires, (four years after initial registration) Mobilo can be extended to up to 30 years from one service to the next by your authorised Mercedes-Benz service partner. ⁴ Mercedes-Benz service contract terms and conditions apply.

Enjoy the digital experience of Mercedes-Benz –

wherever you happen to be. Thanks to a range of offers optimised for smartphones and tablet computers, you can immerse yourself in the world of Mercedes-Benz even while on the move.

Insights into the full product range, a varied programme of entertainment and direct contact to a wide variety of services await you. Take an interactive tour with the **Interactive Owner's Manual**, for example, to get to know your dream car better. Experience the various functions in detail, take a close-up look at what's going on inside or explore the benefits of the particular model on your national Mercedes-Benz website.

With the **"Mercedes-Benz Guides"** app you can also explore the highlights of the various vehicles off-line. The app is available free of charge from the Apple® iTunes® Store (iOS) or the Google Play Store (Android).

Incidentally, our TV and magazine media are also available to watch and read digitally. Explore the whole brand world for yourself at www.mercedes-benz.com. Just click to take a look.

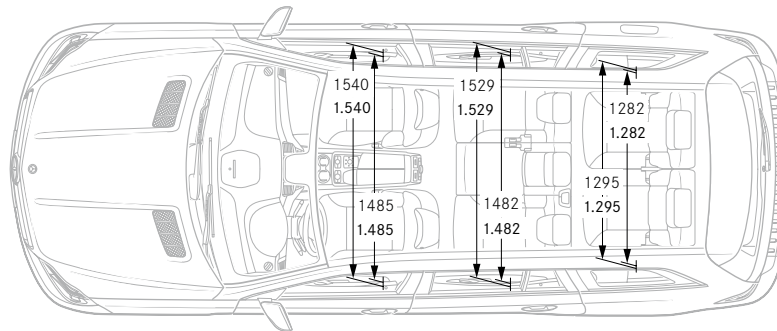
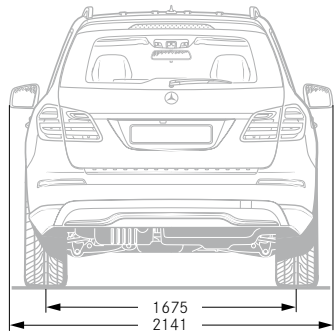
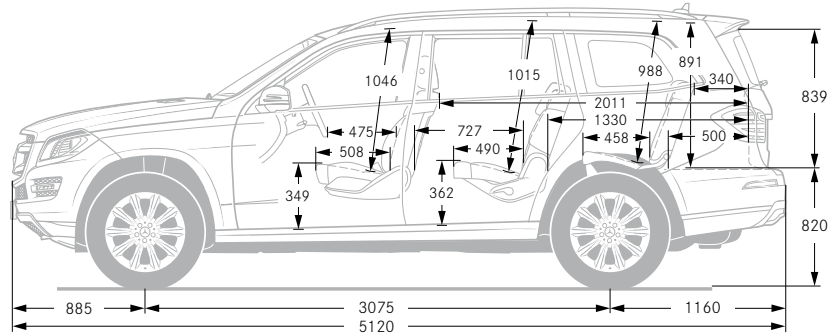
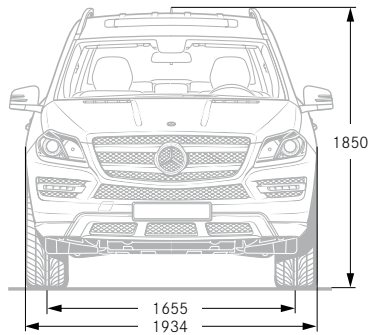
The **fascination of Mercedes-Benz**. A car whose name brings a gleam to the eyes of people all over the world, one that has featured in many a movie and been sung about in international hits, is surely far more than just a car. How did it come to this?

Discover just what has been moving the world for more than 125 years and take a fascinating journey through time as well as through the history of the automobile, in the **Mercedes-Benz Museum**. More than 1500 exhibits over a display area of 16500 square metres demonstrate the unique heritage and innovative power of the inventor of the automobile, among them one-off models such as the oldest Mercedes still in existence, built in 1902, or the legendary "Gullwing" cars. Welcome to a place of innovation: www.mercedes-benz-classic.com/museum

What would the history of Mercedes-Benz be like without **motorsport**? What would motorsport be without Mercedes-Benz? The first vehicle ever to win an automobile race was powered by a Daimler engine. The first Mercedes was a racing car. The Silver Arrows – a true legend. Out of this glorious past has grown an exciting present: the MERCEDES AMG PETRONAS Formula 1 team and the DTM Mercedes AMG C-Coupés fight it out weekend after weekend for points and victory.



Dimensions.



Paintwork.

The paint system developed by Mercedes-Benz includes one of the best clear coats on the automotive market and is a key factor behind the car's excellent value retention. Its secret is the exceptionally thick molecular structure, which makes the metallic or non-metallic clear coat more resistant and produces a longer lasting and visibly more intensive shine.

Non-metallic paints

040 black
149 polar white

Metallic paints¹

151 cinnabar red
197 obsidian black
755 tenorite grey
775 iridium silver
792 palladium silver
796 citrine brown
890 cavansite blue
988 diamond silver

designo paint¹

799 designo diamond white bright

The capacity of the load compartment in each case ranges from 680 litres up to a maximum of 2300 litres, while the payload is 795 kg. All dimensions in millimetres. The dimensions shown are mean values and apply to standard-specification, unladen vehicles.

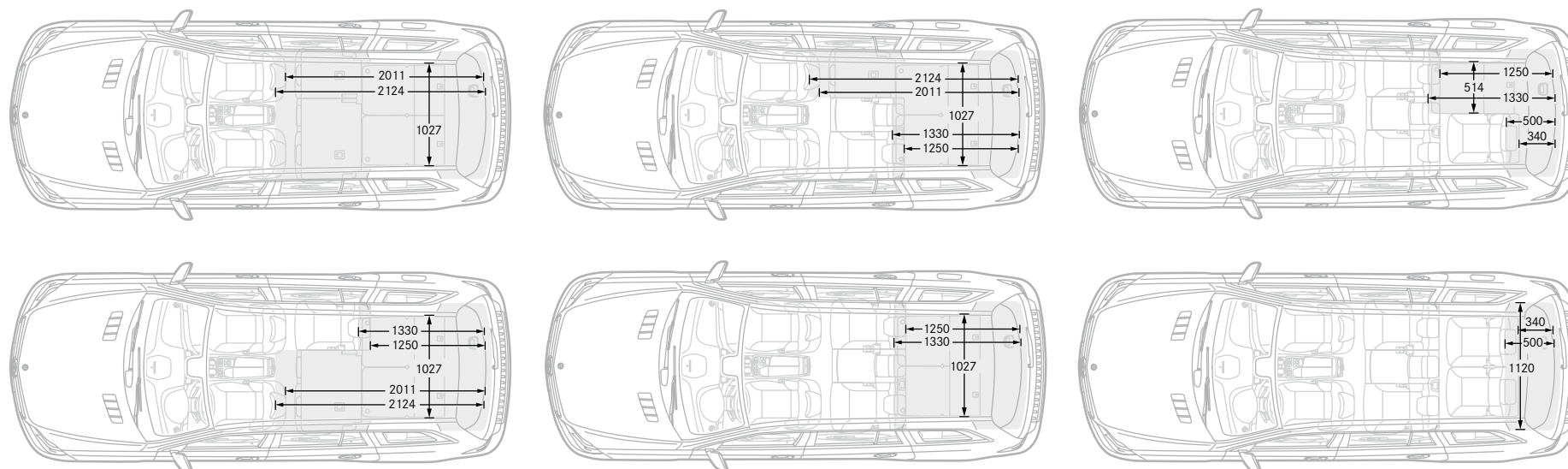
¹ Optional extra.

Load compartment management.

Excellent variability – the GL-Class already has the individual solution for virtually every challenge on board. In the case of the standard-specification 7-seater, the load area can be enlarged in stages by simply folding forward the rear seats, meaning that the transport capacity required in each individual case can be flexibly adjusted. In

extreme cases this can turn the GL-Class into a particularly generously sized 2-seater with a load compartment that is over two metres long, more than one metre wide (between the wheel arches) and has a maximum capacity of 2300 litres when loaded to the roof. But that is by no means all: the largest possible cuboid as a comparison

unit may have a volume of 1252 litres, which translates as 1830 x 900 x 760 millimetres. If required, this means that the GL-Class acquires an area that can even be used for bulky items and that is of a size one would normally expect to find in a delivery van rather than in a luxury SUV.



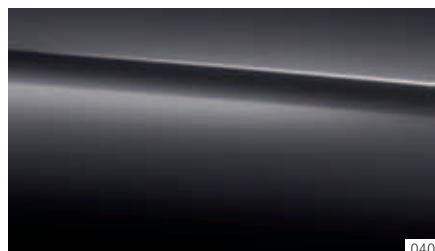
From top left to bottom right the illustrations show the load compartment length and width of the GL-Class in each case, when used as a 2-, 3-, 4-, 5-, 6- and 7-seater. All data in millimetres.

Technical data.

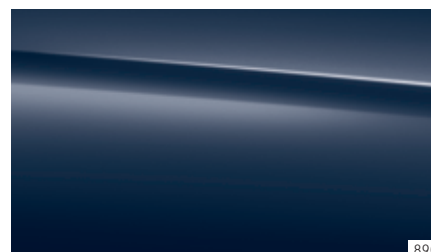
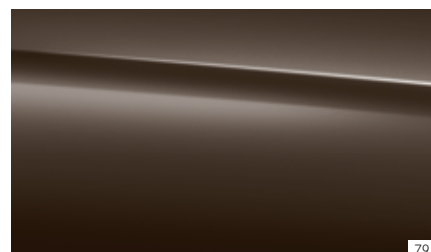
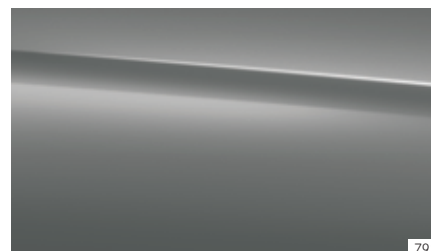
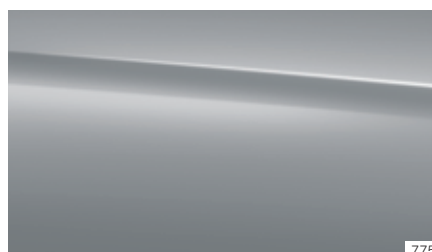
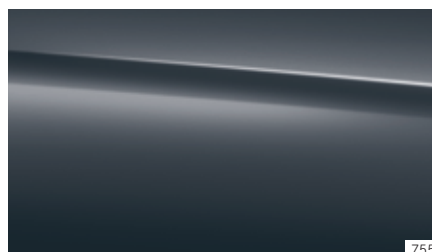
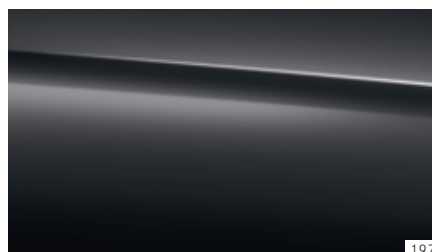
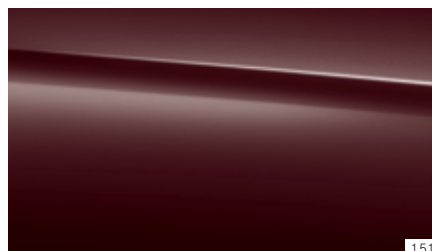
	Diesel engine	Petrol engines		
	GL 350 BlueTEC 4MATIC	GL 400 4MATIC	GL 500 4MATIC	GL 63 AMG 4MATIC
No. of cylinders/arrangement	6/V	6/V	8/V	8/V
Transmission	7G-TRONIC PLUS	7G-TRONIC PLUS	7G-TRONIC PLUS	AMG SPEEDSHIFT PLUS 7G-TRONIC
Total displacement (cc)	2987	2996	4663	5461
Rated output ¹ in kW (hp) at rpm	190 (258)/3600	245 (333)/5250–6000	320 (435)/5250	410 (557)/5250–5750
Rated torque ¹ (Nm at rpm)	620/1600–2400	480/1600–4000	700/1800–3500	760/2000–5000
Compression	15.5	10.5	10.5	10.0
Acceleration from 0 to 100 km/h (s)	7.9	6.7	5.4	4.9
Top speed, approx. (km/h)	220	240	250 ²	250 ² [270] ³
Tyres	265/60 R 18	265/60 R 18	275/55 R 19	295/40 R 21
Fuel	Diesel	Premium petrol	Premium petrol	Super Plus petrol
Fuel consumption ⁴ (l/100 km)				
Urban	8.9–8.1	11.9–11.6	14.8–14.5	15.8
Extra-urban	7.5–6.9	8.3–7.8	9.6–9.3	10.3
Combined	8.0–7.4	9.6–9.2	11.5–11.3	12.3
CO ₂ emissions ⁴ (g/km), combined	209–192	225–215	269–262	288
Efficiency class	B	C	E	E
Emission class ⁵	Euro 6	Euro 6	Euro 6	Euro 5
Tank capacity (l)/of which reserve approx.	100/12.0	100/12.0	100/12.0	100/14.0
Load compartment capacity (German Association of the Automotive Industry) (l) ⁶	680–2300	680–2300	680–2300	680–2300
Turning circle diameter (m)	12.40	12.40	12.40	12.45
Kerb weight ⁷ /perm. GVW (kg)	2455/3250	2435/3250	2445/3250	2580/3250
Perm. towing capacity unbraked/braked (kg)	750/3500	750/3500	750/3500	750/3250

¹ Figures in accordance with Directive 80/1269/EEC in the currently applicable version. ² Electronically limited. ³ In conjunction with AMG Driver's Package. ⁴ The figures shown were obtained in accordance with the prescribed measuring process (Regulation [EC] 715/2007 in the currently applicable version). The figures are not based on an individual vehicle and do not constitute part of the product offer; they are provided solely for the purposes of comparison between different vehicle models. ⁵ Figure only valid within the European Union. ⁶ Figures in accordance with Directive 70/156/EC, version 2000/40/EG. ⁷ Figures in accordance with Directive 92/21/EC, version 95/48/EC (kerb weight with fuel tank 90% full, driver, 68 kg, and luggage, 7 kg) for standard-specification vehicles. Optional extras and accessories will generally increase this figure and reduce the payload capacity accordingly. Figures relate to engines fitted as standard with the automatic transmission 7G-TRONIC PLUS or with AMG SPEEDSHIFT PLUS in the case of the GL 63 AMG. Further technical data can be found at www.mercedes-benz.com

Non-metallic paints



Metallic paints¹



designo paint¹



Take-back of end-of-life vehicles. At the end of its long life, you can return your GL-Class to us for environment-friendly disposal in accordance with the European Union (EU) End-Of-Life Vehicle Directive. But that day lies a long way off.

A network of vehicle take-back depots and dismantlers has been established to make it as easy as possible for you to return your vehicle. You can leave it at any of these points free of charge and, by doing so, make an important contribution to completing the recycling process and conserving resources.

For further information about the recycling and disposal of end-of-life vehicles and take-back conditions, please visit your national Mercedes-Benz website.

Please note: changes may have been made to the product since this brochure went to press (27.01.2014). The manufacturer reserves the right during the delivery period to make changes to the design, form, colour or specification, provided these changes, while taking into account the interests of the vendor, can be deemed reasonable with respect to the purchaser. Where the vendor or the manufacturer uses symbols or numbers to describe an order or the subject of an order, no rights may be derived solely from these. The illustrations may include accessories and optional extras which do not form part of the standard specification. Actual colours may differ slightly from those shown owing to the limitations of the printing process. This brochure is distributed internationally. It provides a general indication of the range of models, features, optional extras, colours and/or services available in various countries. Some of the models, features, optional extras, colours and/or services shown may not be available in your country or may only be available in a different specification. Additionally some models, features, optional extras, colours and/or services may only be available in combination with others. For current and more specific information in relation to the range of models, features, optional extras, colours and/or services available in your country, and their pricing, you should contact your nearest authorised Mercedes-Benz Passenger Car Dealer.

www.mercedes-benz.com