

GLC Coupé



Mercedes-Benz



This Brochure is prepared by Daimler AG and it predominantly reflects the capabilities and performance of vehicles sold in Europe. Some characteristics, capabilities performance features and optional extras (e.g. towing systems) may not be available or may not apply in Australia or under Australian conditions. The information in this brochure is therefore indicative, illustrative and provided only for guidance and should not be relied on. To obtain current and accurate information on a vehicle and any options applicable to Australia, contact your local authorized Mercedes-Benz dealer.

What do we mean by typical Mercedes?

The first ever motor car. The three-pointed star. A level of ride comfort that sets standards and a package of safety equipment that surpasses that of any comparable car. But Mercedes means more than this: the insatiable eagerness to exceed expectations. To define new categories, break conventions and kindle pioneering ideas. The new GLC Coupé is bursting with all of these. Not a typical SUV, not a typical coupé. A true Mercedes.



Experience the new GLC Coupé in glorious HD. With the Mercedes-Benz brochure app for the iPad[®] and with the Digital Owner's Manual "Mercedes-Benz Guides" for the iPhone[®]. Both apps feature a host of films and additional content and are available free of charge from the iTunes Store[®].

Fascination. The vehicles shown in this brochure.

**02 | Mercedes-Benz GLC 250 4MATIC Coupé
diamond silver metallic**

Equipped with AMG Line Exterior and Interior, AMG multi-spoke light-alloy wheels painted titanium grey and with a high-sheen finish, two-tone leather upholstery in cranberry red/black, trim in AMG carbon fibre/aluminium with light longitudinal grain

**14 | Mercedes-Benz GLC 350 e 4MATIC Coupé¹
designo diamond white bright**

Standard exterior equipment, 5-spoke light-alloy wheels painted black and with a high-sheen finish, Night package, two-tone designo nappa leather upholstery in platinum white pearl/black, trim in black open-pore ash wood

**50 | Mercedes-AMG GLC 43 4MATIC Coupé
obsidian black metallic**

AMG 5-twin-spoke light-alloy wheels painted titanium grey and with a high-sheen finish, black leather upholstery with red topstitching, AMG trim in carbon fibre/aluminium with light longitudinal grain

Innovation. The most important highlights.

- 22 | Mercedes me
- 26 | Services
- 30 | Engines, 9G-TRONIC and 4MATIC
- 31 | PLUG-IN HYBRID
- 32 | DYNAMIC BODY CONTROL and
AIR BODY CONTROL
- 33 | DYNAMIC SELECT
- 34 | Driving Assistance package Plus
- 35 | Integral safety concept
- 36 | Burmester® surround sound system
- 37 | Reversing camera
- 40 | Equipment, packages and accessories
- 48 | Wheels
- 50 | Mercedes-AMG model
- 62 | Technical data
- 65 | Upholstery and paintwork





Character actor in a world full of bit-players.

A statement for added aesthetic appeal. For added athleticism. For added adrenaline. The new GLC Coupé takes some of the most exciting aspects of the automobile and reshapes them into a new, self-assured whole. This Midsize Sport Utility Coupé, as its category is called, from Mercedes-Benz offers an exciting combination of SUV and coupé elements along with awesome driving dynamics.

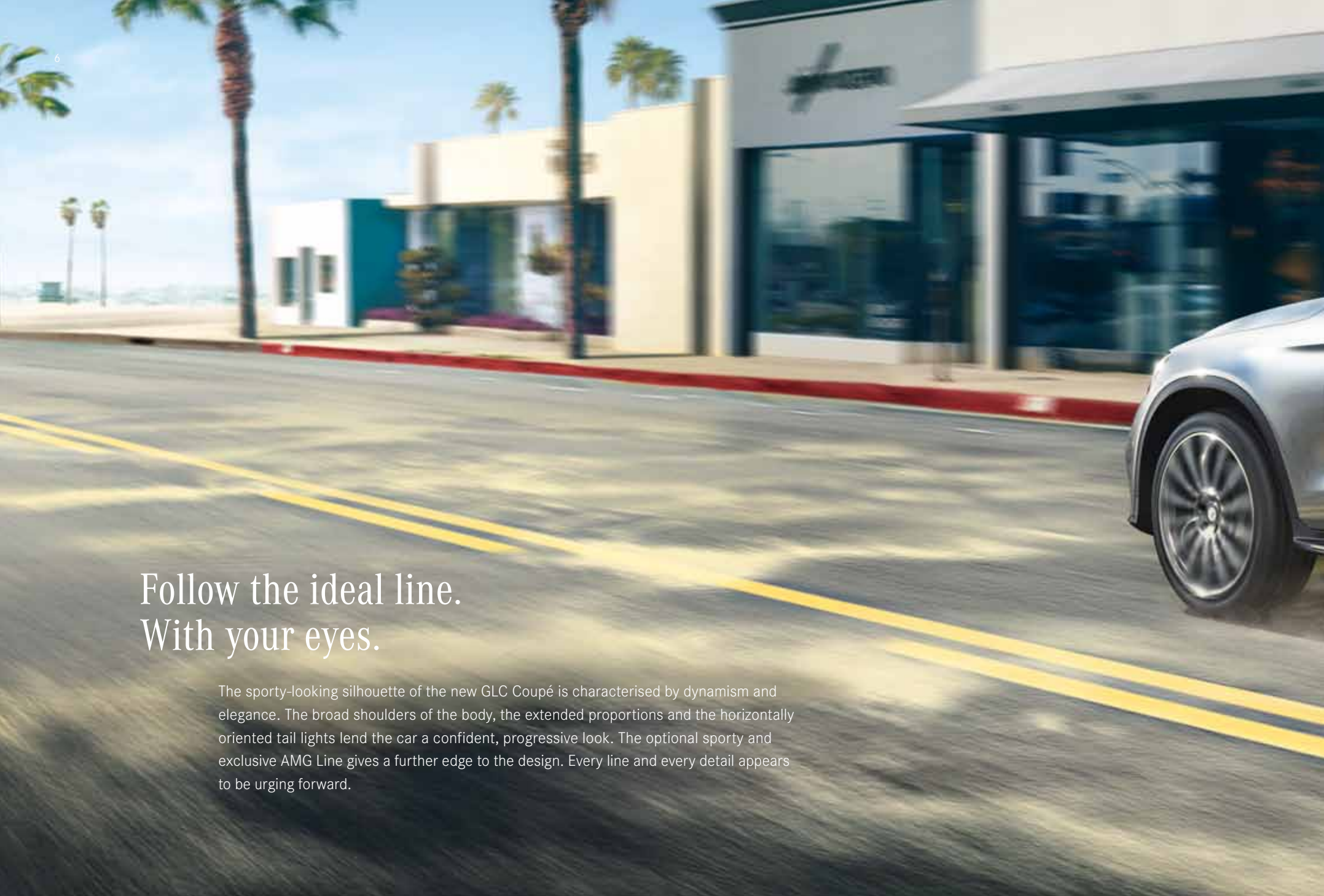


Beyond compare with anything.
But networked with everything.



Your music, your contacts, your favourite places. You can integrate everything that makes your life special into the GLC Coupé, where it is displayed in a way that is more fascinating and intuitive than ever before. You can also use the optional Remote Online Services to gain access to a lot of information about the vehicle on your smartphone. From anywhere and at any time.



A silver Mercedes-Benz GLC Coupé is shown in motion on a road, with a blurred background of a modern building and palm trees. The car is positioned on the right side of the frame, moving towards the left. The road has yellow double lines. The background features a modern building with large glass windows and a red curb. Palm trees are visible in the distance under a clear blue sky.

Follow the ideal line. With your eyes.

The sporty-looking silhouette of the new GLC Coupé is characterised by dynamism and elegance. The broad shoulders of the body, the extended proportions and the horizontally oriented tail lights lend the car a confident, progressive look. The optional sporty and exclusive AMG Line gives a further edge to the design. Every line and every detail appears to be urging forward.








Draws you with it. Urges you on. And brakes automatically.

Nothing attracts more than intelligence. And no comparable vehicle features as extensive a range of innovative driving assistance systems as the new GLC Coupé. COLLISION PREVENTION ASSIST PLUS comes as standard. This system can warn of an imminent rear-end collision and, if necessary, even brake autonomously. Another optional item is the Driving Assistance package Plus, a combination of multiple systems for a unique level of all-round protection. The system even detects and protects pedestrians crossing at a junction.



A silver Mercedes-Benz is shown from the rear left side, driving on a winding asphalt road. The road curves to the right and then back to the left. The landscape is a vast, open desert with red soil and sparse green and orange vegetation. In the distance, there are low mountains under a clear blue sky. Several utility poles with power lines are visible along the road. The overall scene conveys a sense of motion and adventure.

Dynamism: the strong will for change.

Courage, forward thrust and curiosity drive the new GLC Coupé on – innovative technologies drive it further: the all-wheel drive system 4MATIC, the automatic transmission 9G-TRONIC and the air suspension AIR BODY CONTROL. The lowered DYNAMIC BODY CONTROL suspension is the new highlight when it comes to driving dynamics. It allows an extremely individual set-up: for thrilling sportiness or relaxing comfort.

Hybrid is more than just a drive system.

Hybrid is an attitude: it says that nothing is more inspiring and cutting-edge than two ideas that meld into one. SUV and coupé. On-road and off-road. Petrol engine and electric motor. The new GLC Coupé couples some of the most exciting facets of the automobile to create something new, to meet new objectives and to arouse new emotions.





Bringing excitement onto the road.

The PLUG-IN HYBRID drive system in the new GLC 350 e 4MATIC Coupé¹ is not only fast, economical and smooth-running. It also delivers a whole new and fascinating driving experience. Smooth in its acceleration. Quiet as it moves off. Locally emission-free in all-electric operating mode. The system output for this model is 235 kW (320 hp), with system torque of 560 Nm.

¹ Mercedes-Benz GLC 350 e 4MATIC Coupé available from 12/2016.

Acceleration of independence.





Individuality, quality and modernity. An interior with all the finest materials.

Closing the door of a Mercedes-Benz has always been a very special experience. There are few other vehicles in which superb quality is quite so immediately tangible. Admire the seamless transitions, the elegantly quilted upholstery, the exclusive trim, the intricate colour concept and the large-screen displays. What other midsize SUV dedicates so much space to making you feel at home?



Illustrated model GLC 350 e 4MATIC Coupé available from 12/2016.



¹ Illustrated model GLC 350 e 4MATIC Coupé available from 12/2016.

A night city street scene with a white car in the foreground and a dark car in the distance. The street is illuminated by warm streetlights and building lights, creating a vibrant urban atmosphere. The white car is partially visible on the left side of the frame, showing its front wheel and side mirror. The dark car is driving away in the distance, its headlights illuminating the road. The street has a crosswalk and a curved curb. Buildings with lit windows and signs line the street, and a few pedestrians can be seen on the sidewalks.

Not an everyday sight.
But perfect for everyday use.

The distinctive play of the muscles over the shoulders, the sporty line of the roof – the expressive silhouette of the new GLC Coupé¹ makes a prominent statement of self-assured elegance. The design embodies pure dynamism, behind it is much more: discover more space and more flexibility than in a conventional sports coupé. With the backs of the rear seats folded down the load compartment has a capacity of up to 1400 litres.



Our next great innovation revolves around you.

Prepare to be inspired, surprised and thrilled by new services, products and experiences at www.mercedes.me. You are also warmly invited to check out our Mercedes me stores in major cities such as Hamburg, Munich, Milan, Moscow, Tokyo or Hong Kong.





Mercedes me. Welcome to your Mercedes-Benz world.

You have new questions, Mercedes-Benz has a new answer for you: Mercedes me. Your point of access to a fascinating world of personalised services from Mercedes-Benz. Offering innovative, individualised mobility, connectivity, finance and other services, as well as special brand experiences. All subject to continual development. Innovative, simple and cutting-edge: www.mercedes.me

Join us – on your smartphone, tablet or PC. And let's shape tomorrow's world together. Any time, anywhere.

Mercedes me connect is all about networking the vehicle with the driver – and more besides: the car is becoming part of the way we live, providing added comfort as well as the reassurance of being permanently connected, even while on the move. Mercedes me connect includes Standard Services, which are able to provide you with automatic support in the event of a breakdown or an accident, and Remote Online Services – the option enabling vehicle settings to be carried out by smartphone – and lots more.



Mercedes me finance offers you various routes to your vehicle of choice. Mercedes-Benz Financial Services finds the ideal leasing, financing and insurance solution together with you – tailored to your needs. Our leasing products enable you to drive the latest models at all times while enjoying maximum flexibility, as you pay not for acquisition of the vehicle, but only for its use. You also benefit from attractive monthly instalments. Our financing arrangements enable you to pay for your new Mercedes-Benz in a way that suits your personal budget. You can tailor your monthly instalments to your needs by deciding on an appropriate down-payment and term for your contract. Our individual insurance solutions offer reliable protection for your budget and your vehicle on attractive terms. Once a contract is in place, you can conveniently manage your finance applications online.¹

Mercedes me inspire offers special brand experiences and an opportunity to engage in an inspiring dialogue. We aim to share our ideas with you and we would like to know your ideas and wishes. So that we can always offer you the best solutions. A community is available to this end, and you will also find a growing range of offerings and experiences which go beyond the traditional vehicle-related topics – from areas such as events, travel and lifestyle.

Mercedes me move offers access to the intelligent mobility solution moovel: this mobility app pools the offerings from various mobility providers to find the ideal route from A to B. car2go is the pioneer and market leader worldwide in free-floating car sharing, and car2go black stands for smartphone-based car sharing with Mercedes-Benz B-Class vehicles. With the mytaxi app you can order a taxi, track its approach live and pay for your journey in a convenient manner.

Mercedes me assist makes easy work of organising maintenance for your vehicle, providing a convenient online means of locating a Mercedes-Benz dealer in your neighbourhood and arranging a service appointment. The digital service report keeps you up to date on performed service work at all times. The report is available to you online just one day after a service. In addition to the current service report, you can also view your vehicle's complete service history and service intervals, and you can print this information out if you so wish.

¹ Depending on market availability.

**Mercedes-Benz
Service**



Our service: the perfect fit for your Mercedes.

Beyond the car itself, you also acquire something priceless – an exclusive partnership with Mercedes-Benz. For you, this means safety, independence and motoring free of any worries. In other words: the reassuring feeling of driving a Mercedes.

The best for your Mercedes. No-one knows your Mercedes better than our experienced specialists at the Mercedes-Benz workshops. The comprehensive range of services and the high standard of quality ensure that your vehicle is in top condition. We use proven Mercedes-Benz GenuineParts and special tools to this end.

The best for you. Motoring free of any worries right from the word go: with the tailor-made Mercedes-Benz Service Contracts. These offer you the benefits of a reliable basis for long-term planning, permanent control over costs, fixed monthly rates and cost transparency. Plus ideal protection from additional workshop costs.

The best for your mobility. The Mercedes-Benz Mobilo¹ insurance package provides for motoring free of any worries throughout Europe – covering breakdowns, accidents, minor mishaps and vandalism. The benefits offered by Mobilo include on-the-spot assistance, a replacement vehicle, towing and overnight hotel accommodation, for example. This mobility guarantee is automatically on board for the first two years after initial registration, and can subsequently be renewed for a period of up to 30 years in all. Whenever you need assistance, you can reach us free of charge throughout Europe on 00800 1 777 7777².

↘ **FIND OUT MORE**

For the full information on Mercedes-Benz Service Contracts, go to www.mercedes-benz.com/servicevertraege – or ask your authorised Mercedes-Benz dealer to draw up an individual offer for you.

¹ Our general terms and conditions apply. The period of validity is extended after each service carried out by an authorised Mercedes-Benz service partner until the due date for the next service – up to a maximum of 30 years after initial registration. ² Roaming charges may apply when calling from abroad.

What would motorsport be without Mercedes-Benz?

The first vehicle to ever win an automobile race was powered by a Daimler engine. The first Mercedes was a racing car. The Silver Arrows – a true legend. Mercedes-Benz has a long tradition of involvement with the world of sport. Motorsport shapes the brand and every vehicle bearing the Mercedes star to this day. Discover the brand's unique history first-hand: at the Mercedes-Benz Museum in Stuttgart.

↘ FIND OUT MORE

Discover just what has been moving the world for 130 years and take a journey through time as well as through the history of the automobile at the Mercedes-Benz Museum. More than 1500 exhibits await you on 16,500 m² of floorspace, including unique gems such as the oldest surviving Mercedes from 1902 or the legendary gull-wing models. Welcome to a place of innovation:

www.mercedes-benz.com/museum

www.facebook.com/mercedesbenzmuseum

www.instagram.com/mercedesbenzclassic

www.twitter.com/mb_museum

www.google.com/+mercedesbenzmuseum

www.youtube.com/mercedesbenzmuseum



What would Mercedes-Benz be without motorsport?

3 June 1934 marked the beginning of the Silver Arrows legend in the International Eifel Race at the Nürburgring. Today this legend is more alive than ever: in 2015 the Silver Arrows works team MERCEDES AMG PETRONAS won the Formula 1 constructors' and drivers' titles for the second year in a row. The value of these successes extends way beyond the race track: every mile raced advances the development of lightweight materials and hybrid technology, among other things, for series production.

↘ FIND OUT MORE

Fascinating Formula 1 goes multimedia:

www.facebook.com/MercedesAMGF1

www.twitter.com/MercedesAMGF1

www.youtube.com/MercedesAMGF1

www.plus.google.com/+MercedesAMGF1

www.instagram.com/MercedesAMGF1

www.MercedesAMGF1.com

www.mercedes-benz.com/motorsport



Power. Harnessed in the most intelligent way.

Several different drive systems, three different fuels, one common objective: to maintain the exceptional ride comfort of a Mercedes-Benz and yet, at the same time, to achieve astonishingly low consumption and emission figures. This is achieved with the help of a whole raft of innovations, foremost among them a new transmission drive train: **9G-TRONIC** and **4MATIC**.

All engines are already fitted as standard with the new 9G-TRONIC automatic transmission (7G-TRONIC PLUS in the case of the GLC 350 e 4MATIC Coupé¹). A milestone in the field of transmission technology. Nine gears allow very gentle and thus almost imperceptible gear changes. This reduces the fuel consumption as well as the noise level – and takes ride comfort to a whole new level. The combination of 9G-TRONIC and 4MATIC all-wheel drive is a completely new concept. The compact construction and numerous lightweight design measures further reduce the output of emissions – without comprising ride comfort, driving dynamics or handling safety.

THE ENGINE RANGE

Diesel:

GLC 220 d 4MATIC Coupé with an output of 125 kW (170 hp) and maximum torque of 400 Nm

GLC 250 d 4MATIC Coupé with an output of 150 kW (204 hp) and maximum torque of 500 Nm

Petrol:

GLC 250 4MATIC Coupé with an output of 155 kW (211 hp) and maximum torque of 350 Nm

GLC 350 e 4MATIC Coupé¹, petrol engine with an output of 155 kW (211 hp) and torque of 350 Nm, electric motor with 85 kW (116 hp) and torque of 340 Nm, system output of 235 kW (320 hp) and torque of 560 Nm

¹ GLC 350 e 4MATIC Coupé available from 12/2016.



GLC 350 e 4MATIC Coupé with PLUG-IN HYBRID technology.

The new GLC 350 e 4MATIC Coupé¹ draws the best from each of its drive systems: power, serenity and the ultimate in efficiency. The drive unit is made up of a 4-cylinder combustion engine with an output of 155 kW (211 hp) and maximum torque of 350 Nm, together with a hybrid module with an output of 85 kW (116 hp) and maximum torque of 340 Nm. All-electric driving is possible up to a maximum speed of 135 km/h and over a distance of up to 34 km. At faster speeds or on steep inclines the new GLC 350 e 4MATIC Coupé switches automatically over to the combustion engine.

The **PLUG-IN HYBRID technology** furthermore makes it possible to recharge the battery from 20 to 100% from a conventional socket in not much more than four hours. When driving, as soon as you take your foot off the accelerator the intelligent operating strategy ensures that the battery begins to recharge itself automatically, so allowing the vehicle to achieve a figure for its local CO₂ emissions of 0 g/km.

¹ GLC 350 e 4MATIC Coupé available from 12/2016.

THE ONLY HYBRID IN ITS CLASS WITH THE INTELLIGENCE OF A MERCEDES

Intelligent HYBRID is the anticipatory operating strategy for Mercedes-Benz hybrid vehicles, ensuring that the most efficient use is made of the electric drive system. Depending on the vehicle specification, it comprises the following functions: **radar-based recuperation** uses the adaptive cruise control data to make the best possible use of recuperation and the sailing function. In addition, an **anticipatory shift strategy** uses the data from the adaptive cruise control to select the appropriate gear. The **route-based operating strategy** uses the navigation system data to optimise the hybrid drive operating modes to make the best possible use of the battery charge. An **ECO Assistant** assists the driver in adopting an efficient driving style with the help of the haptic accelerator pedal.



GLC 350 e 4MATIC Coupé

The PLUG-IN HYBRID technology allows fast external recharging from 20 to 100%¹ via a wallbox in just two hours and via a normal socket in not much more than four hours.

- 1 | 4-cylinder petrol engine.
- 2 | Regenerative braking system.
- 3 | Electric motor.
- 4 | Lithium-ion high-voltage battery.
- 5 | Charging socket.

¹ Charging time from 20 to 100% ranges according to the power source from 2.0 to 4.1 hours (400 V/16 A–230 V/8 A).



Quicker change from Comfort to Sport: DYNAMIC BODY CONTROL.

Available exclusively for the new GLC Coupé is the option of the **DYNAMIC BODY CONTROL** adjustable steel suspension. Based on the standard-fit sports suspension, its damping properties can be varied perceptibly via the DYNAMIC SELECT switch. The adjustment options provide a wide spread between comfortable, sporty and very sporty configurations. The driver has a choice between the three stages “Comfort”, “Sport” and “Sport+”. The suspension is also lowered by 15 millimetres.

The damping effect of the shock absorbers is increased in “Sport” and “Sport+” modes. Lowering and tauter suspension configuration facilitate a more dynamic driving style whilst comfort remains at the same high level even over long distances. Since the damping system works steplessly and the tuning for each wheel occurs individually, both driving safety and ride comfort are improved.

FURTHER SUSPENSION SYSTEMS

The new GLC Coupé is equipped as standard with a **sports suspension**. The firmer suspension and damping allow a sportier style of driving without any major loss of comfort. The very direct steering also lends the car more agility.

The optional multi-chamber air suspension system **AIR BODY CONTROL** works in unison with continuously variable damper control to ensure very high standards of road roar and tyre vibration characteristics and driving dynamics. The damping at each wheel is adapted to the current driving situation, and can be set for more comfortable or sporty characteristics as required. The level of the vehicle can be lowered by as much as 50 mm. At high speeds the suspension is automatically lowered, helping to reduce aerodynamic drag and further improve handling stability.



Emotions at the touch of a button. DYNAMIC SELECT.

At a touch of the **DYNAMIC SELECT** feature in the centre console, drivers can choose between comfortable, sporty, particularly sporty and efficient driving styles, or their own individually defined style. To achieve this, parameters such as the engine, transmission, suspension and steering characteristics are adjusted according to the selected drive mode.

The default setting is the well-balanced and fuel-efficient “Comfort” mode. The “Sport” drive mode offers added agility and dynamism thanks to its more progressive steering characteristic curve, sporty, taut suspension tuning (in conjunction with DYNAMIC BODY CONTROL or AIR

BODY CONTROL), spontaneous throttle response and modified shift points (with 9G-TRONIC). The element of sportiness can be enhanced even further by switching to the “Sport+” mode. Consequently, the suspension (in conjunction with DYNAMIC BODY CONTROL or AIR BODY CONTROL) and the powertrain have an even more dynamic set-up. The ECO start/stop function is deactivated. The “Eco” drive mode is designed to keep fuel consumption as low as possible. This is achieved through adjustments to the accelerator pedal curve and shift points (with 9G-TRONIC). In addition, the output of equipment items such as seat heating, the heated rear window and the air conditioning is similarly adjusted.

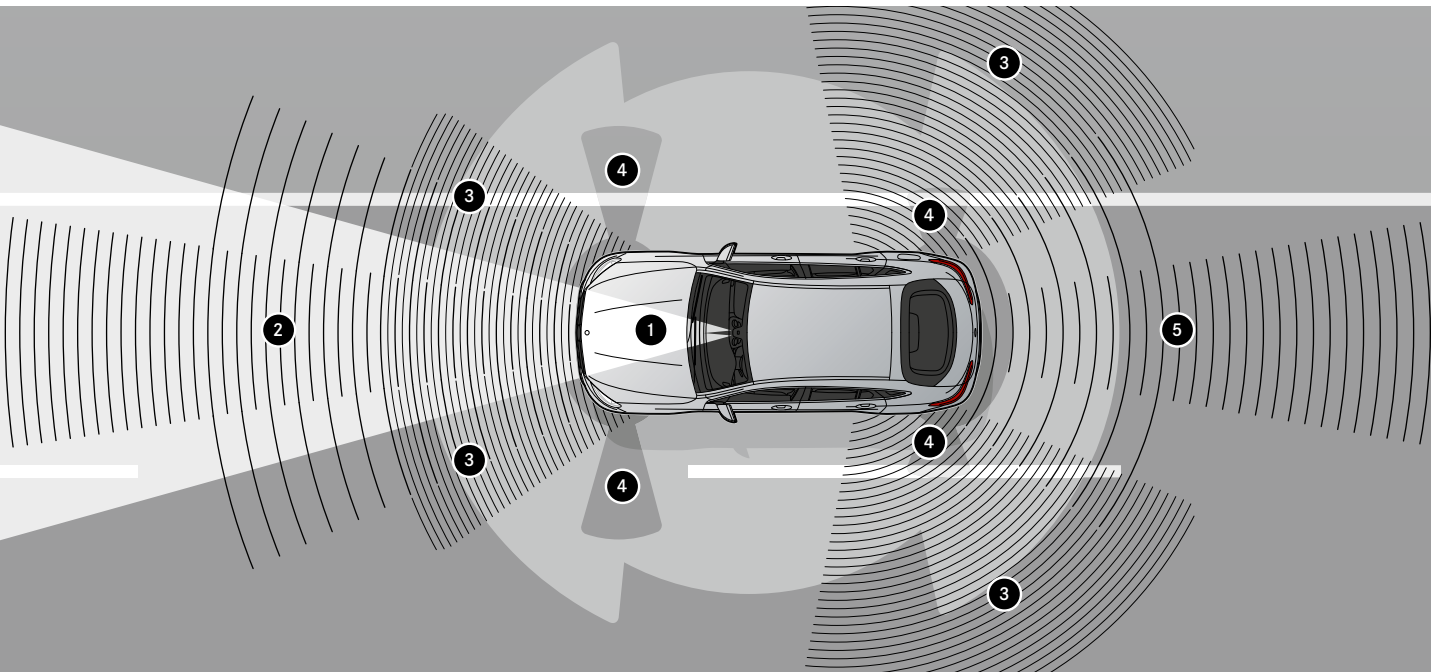
In conjunction with hybrid technology, the system also supports the functions known as “Sailing” and “Sailing+”. If the driver removes his foot from the accelerator pedal, the vehicle uses its own kinetic energy to glide along, thus saving fuel. The “Individual” mode allows the driver to vary individual parameters at will – from the steering and the powertrain to the suspension (the latter in conjunction with DYNAMIC BODY CONTROL or AIR BODY CONTROL).

Driving Assistance package Plus. Subtracting the danger.

Intervening where necessary. Holding back where possible. This poise and assurance is part of the optional **Driving Assistance package Plus**. It combines safety and assistance systems that take the strain off the driver, reduce the risk of accidents and improve protection for the vehicle occupants as well as other road users. Particularly in town driving, the **BAS PLUS** Brake Assist system with Cross-Traffic Assist and **PRE-SAFE® Brake** can reduce the risk of collisions at junctions and rear-end collisions, as well as accidents involving pedestrians. **Active Lane Keeping Assist** and **Active Blind Spot Assist** can provide assistance if the vehicle inadvertently drifts out of its lane or if the danger of collision with other vehicles arises when changing lanes. Using one-sided braking intervention, they can help return the vehicle to its lane and possibly prevent an accident. **PRE-SAFE® PLUS** expands the **PRE-SAFE®** preventive occupant protection system to include protective measures in the event of an imminent rear impact. **DISTRONIC PLUS with Steering Assist** and **Stop&Go Pilot** can help the driver to maintain a safe distance from the vehicle in front and stay in the centre of the lane.

↘ FIND OUT MORE

Full information about Mercedes-Benz Intelligent Drive for your computer, tablet or smartphone is available at: www.mercedes-benz-intelligent-drive.com



MERCEDES-BENZ INTELLIGENT DRIVE

A stereo camera, short and long-range radars and all-round sensor systems form the basis for numerous safety and assistance systems in the new GLC Coupé.

- 1 | Stereo multi-purpose camera.
- 2 | Long-range radar with intermediate range monitoring.
- 3 | Short-range radar.
- 4 | Ultrasonic sensors.
- 5 | Multi-mode radar.

The reassuring feeling of driving a Mercedes-Benz.

We are the first automotive manufacturer worldwide to have developed an **integral safety concept**, aimed at avoiding accidents, ensuring ideal responses to dangers and lessening the consequences of accidents. For the occupants of a Mercedes and for all other road users, too.

SAFE DRIVING

In particular on long trips and when driving at night, the **drowsiness detection system ATTENTION ASSIST** can increase driving safety. It can monitor the steering behaviour of the driver to recognise typical signs of drowsiness and severe loss of attention, and give a visual and audible warning of impending microsleep.

The **ADAPTIVE BRAKE control system** improves braking performance through intelligent intervention: in wet conditions, the brake discs are kept dry. The brake pads are applied automatically when the driver's foot is removed abruptly from the accelerator pedal. And on uphill slopes, the system is able to prevent the vehicle from rolling backwards.

The optional **DISTRONIC PLUS** proximity control system helps to maintain a safe distance from the vehicle ahead, above all in stop-and-go traffic. The system is able to brake the vehicle automatically and subsequently accelerate again as appropriate to the traffic situation.

IN THE EVENT OF DANGER

If it detects the risk of a rear-end collision, the standard-fit **COLLISION PREVENTION ASSIST PLUS** collision warning function is able to initiate braking in order to avoid a collision or to mitigate the consequences.

The optional **Blind Spot Assist** system with radar sensors makes one of the major hazards in traffic visible. When a vehicle is detected in the blind spot, a red triangle lights up in the exterior mirror. An acoustic warning additionally sounds as necessary. The system is active between a speed of 30 km/h and the vehicle's top speed. The optional **Lane Keeping Assist** system is able to recognise when the vehicle is unintentionally drifting out of its lane at speeds between 60 and 200 km/h, duly warning the driver by means of pulsed vibrations on the steering wheel. Blind Spot Assist and Lane Keeping Assist also form part of the optional Lane Tracking package.

The optional **PRE-SAFE®** occupant protection system is able to identify critical driving situations in advance and to initiate precautionary measures to protect the vehicle's occupants if an accident appears imminent. Such measures include reversible belt tensioning or automatic closing of open side windows, for example.

IN AN ACCIDENT

An extensive protection system is able to reduce the risk of injury for occupants of the vehicle as well as other road users. This includes the **active bonnet**, which can quickly rise by a couple of centimetres in the event of an accident and so help to protect pedestrians or cyclists. The vehicle occupants, in their turn, are extensively protected by up to **nine airbags** (of which two are optional sidebags in the rear).

AFTER AN ACCIDENT

Every Mercedes-Benz is fully trained in first aid. If the worst comes to the worst, the engine can be stopped automatically and the central locking unlocked, while the hazard warning lights and emergency interior lighting can also be activated. Finally, the standard-fit **Mercedes-Benz emergency call system** (country-specific) can transmit GPS position data and important vehicle information. though it is to be hoped this will never be necessary.

The eyes take in the information. The ears take in the emotion.

Keep an overview of key driver information without taking your eyes off the road – thanks to the optional **Head-up Display**. It projects a virtual image (approx. 21 x 7 centimetres in size) within the driver's field of vision. This image appears to float over the bonnet around two metres ahead of the driver. The display is high-resolution and in colour. Depending on equipment, the information displayed may include navigation tips, speed, speed limits or settings for cruise control or DISTRONIC PLUS, for example.

The eyes take in all the information; the ears take in the incredible sound. Experience the optional **Burmester® surround sound system**. An exceptional sound experience comprising 13 high-performance loudspeakers, a 9-channel DSP amplifier and an output of 590 watts. Perfectly tuned electronic and acoustic components that turn the interior into a concert hall. Whether you are sitting in the front or the rear, the surround function creates a spatial feel-good sound.



Reverse parking. Forward thinking.

Reverse parking and manoeuvring is considerably easier and safer using the standard feature of the **rear-view camera**. The camera shows the driver the area behind the vehicle on the media display. Dynamic guide lines provide clear orientation during driving manoeuvres. Depending on the steering angle, they visualise the trajectory, the vehicle's width and various distances from the rear end. When reversing out of a parking space, for instance from a driveway, switching to wide-angle mode allows a viewing angle of 180 degrees to help detect approaching vehicles or pedestrians sooner. A flap underneath the Mercedes star, which opens automatically as soon as reverse gear is engaged, protects the camera from getting dirty.



MULTIMEDIA FEATURES IN THE NEW GLC COUPÉ

Navigation, telephone, audio, video, internet – all these are part of the optional **COMAND Online** control and display system. Information is shown in high resolution and colour on a 21.3-centimetre (8.4-inch) central display screen. Operation via the new touch pad is simple and intuitive.

User-friendly navigation, accurate map data and excellent route guidance – the optional **Garmin® MAP PILOT** transfers all the benefits of a Garmin® navigation system to the Audio 20 CD, complete with touchpad if so desired.

The standard-specification **Audio 20 CD** multimedia system with its 17.8-centimetre (7-inch) media display is internet-enabled, allowing it to be networked via Bluetooth® with compatible mobile devices. Optionally available with pre-installation for a navigation system, plus with touchpad if so desired.



Riding high.

The elevated seating position is emblematic of the fascination of the SUV, taking the driving experience, quite literally, to new heights. Starting from this pole position, in the new GLC Coupé you can enjoy the dynamic handling and agility of a sports coupé – a very special experience. The front seats here are available in three variants: seats with exclusive seat upholstery layout, horizontal quilting and upholstery in ARTICO man-made leather are already fitted as standard. In conjunction with the EXCLUSIVE Interior line there is also an elegant combination of ARTICO man-made leather/Grenoble fabric in black or black/espresso brown (see illustration). The AMG Line Interior includes sports seats in ARTICO man-made leather/DINAMICA microfibre with contrasting topstitching in grey.



The sporty ambience continues to the rear: the two outer rear seats are shaped like individual seats, offering passengers excellent lateral support when the vehicle is being driven in a sporty style.

SEAT COMFORT OPTIONS IN THE NEW GLC COUPÉ

Numerous electrical and mechanical adjustment options as well as an electropneumatic 4-way lumbar support allow the **Seat Comfort package** to adjust to an individual and ergonomic seating position. This enhances seating comfort for both the driver and front passenger, particularly on long journeys.

Thanks to active ventilation, on hot days the **seat climate control system** quickly cools down the surface of the seats to a pleasant temperature and creates a balanced seat climate. In cold weather conditions, the on-demand seat heating provides cosy warmth whenever you need it.

The wider view.

The optionally available **electric sliding sunroof** provides pleasant, draft-free air circulation in the vehicle interior. As it is made of glass, the sunroof also gives the interior of the vehicle a brighter feel. A movable headlining affords protection against the sun. The “summer opening” and “convenience closing” functions can be activated on the electronic ignition key by holding down the respective buttons.

A glance at the generously proportioned luggage compartment also gives an amazing sense of space: the new GLC Coupé is equipped as standard with a rear seat backrest that splits 40/20/40 and which, in conjunction with the optional Stowage package, can be electrically unlocked, allowing it to fold down automatically.



LOADING LUXURY

The **EASY-PACK tailgate** can be opened and closed at the push of a button, so allowing for easy loading and unloading of the load compartment.

Despite the flat coupé roofline, the capacity of the luggage compartment is a generous 500 litres.

The maximum load compartment capacity rises to 1400 litres when the rear seat backrests are completely folded down.



The standard equipment.

A comprehensive package of safety equipment that is unique in this class. Comfort and convenience features that make every journey that little bit more enjoyable. A raft of practical details and an extremely high standard of workmanship. All of this comes as standard with the GLC Coupé, giving you a responsible, exciting and luxurious driving experience, day after day.

EXTERIOR HIGHLIGHTS

Single-louvre radiator grille in matt iridium silver with chrome insert

Diamond radiator grille with black pins

Exterior Chrome package: window surrounds in chrome, chrome inserts in the radiator trim; simulated underguards front and rear in chrome; stainless steel tailpipe trim (petrol engines)

10-spoke light-alloy wheels, painted vanadium silver, with 235/60 R 18 tyres (R41)

Tail lights with LED technology

INTERIOR HIGHLIGHTS

Seats with exclusive seat upholstery layout, horizontal quilting and upholstery in ARTICO man-made leather

3-spoke, black leather multifunction steering wheel, with embossing in the mid-section grip area

Instrument cluster with 13.97-centimetre (5.5-inch) multifunction display

Trim in black piano-lacquer look and many items in silver chrome

Roof liner in crystal grey fabric



The EXCLUSIVE Interior line.

Polished to perfection: with oodles of chrome, fine ARTICO man-made leather and elegantly structured wood trim, the EXCLUSIVE equipment line conveys a very special sense of modern luxury.

HIGHLIGHTS

Seats with exclusive seat upholstery layout and with horizontal quilting in ARTICO man-made leather; optional at no additional cost: ARTICO man-made leather/Grenoble fabric

3-spoke multifunction steering wheel in black or espresso brown leather

Upper part of the dashboard and beltlines in ARTICO man-made leather in the colours black or espresso brown with contrasting topstitching

Horizontal trim in silver chrome set into the dashboard

High-gloss brown linestructure lime wood trim in the doors and centre console

Fabric roof liner in crystal grey, black or porcelain

Interior Light package

Outer adapter tubes of the ventilation nozzles in Nürburg silver, nozzle surrounds and adjustment knobs in silver chrome, front surfaces of louvres chrome-plated





The AMG Line Exterior and Interior.

For those who want more than just a hint of sportiness, there are the optional AMG Lines Exterior and Interior. These feature performance-oriented styling with exclusive touches adopted from the world of motorsport and high-tech components.

Discover AMG pure with the thoroughbred performance car Mercedes-AMG GLC 43 4MATIC Coupé from page 50.

EXTERIOR HIGHLIGHTS

AMG bodystyling, consisting of AMG front and rear apron

Diamond radiator grille with chrome pins and a single louvre

Chrome package, including radiator trim with chrome inserts, simulated underguards in chrome, beltline trim strip in aluminium, window surrounds in chrome and an exhaust system with stainless-steel tailpipes integrated into the bumper (with petrol engines) or with two decorative tailpipe trim elements (with diesel engines)

5-twin-spoke AMG light-alloy wheels, painted titanium grey and with a high-sheen finish, with 235/55 R 19 front and 255/50 R 19 rear tyres (RTA)

INTERIOR HIGHLIGHTS

Sports seats with horizontal quilting in ARTICO man-made leather/DINAMICA microfibre and grey contrasting topstitching

3-spoke multifunction sports steering wheel in black leather, embossed, flattened bottom section, steering-wheel gearshift paddles in silver chrome

Interior Light package

Horizontal trim on the dashboard and in the doors in light longitudinal-grain aluminium and with trim strip in silver chrome

High-gloss black piano-lacquer-look trim in the centre console



designo.

Whether you choose to immerse yourself in elegant black or stylish platinum white/black – transform the interior of the new GLC Coupé into a stunningly exclusive place to be. With the designo equipment packages. Skilled workmanship goes into cossetting the occupants with superbly high-quality nappa leather, special trim designs and many other unusual details.

TWO-TONE INTERIOR IN PLATINUM WHITE PEARL/BLACK

Seats in designo nappa leather in platinum white pearl/black in a diamond design with white topstitching and “designo” badges in the backrests

3-spoke multifunction sports steering wheel in black leather with a flattened bottom section, heavily embossed in the grip areas

Dashboard upper section/bellines in black ARTICO man-made leather

Door centre panels in a diamond design in platinum white pearl with topstitching

Light longitudinal-grain aluminium trim in the doors/black open-pore ash wood trim in the centre console

BLACK INTERIOR

Seats in designo nappa leather in black in a diamond design with contrasting topstitching in crystal grey and “designo” badges in the backrests

3-spoke multifunction steering wheel in black leather

Dashboard upper section/bellines in black ARTICO man-made leather

Centre armrest in black with contrasting topstitching in crystal grey

Door centre panels in black with contrasting topstitching in crystal grey

High-gloss brown line structure lime wood trim



The Night package.

The optional Night package emphasises the sporty-expressive character of the vehicle with many design elements in black. Wheels, trim strips or windows – everything here is that little bit more distinctive.

EXTERIOR HIGHLIGHTS

Radiator grille with integral Mercedes star and single louvre in high-gloss black with chrome inserts

Underguard front/rear painted in black

Exterior mirror housings in high-gloss black

Beltline trim strip and window weatherstrip in high-gloss black

Heat-insulating dark-tinted glass starting from the B-pillar

5-spoke light-alloy wheels, painted black and with a high-sheen finish, with 235/55 R 19 tyres (R39) in conjunction with standard exterior equipment

AMG 5-twin-spoke light-alloy wheels, painted high-gloss black and with a high-sheen finish, with 235/55 R 19 front tyres and 255/50 R 19 rear tyres (RTB) in conjunction with AMG Line Exterior

Illustrated vehicle is a GLC 250 4MATIC Coupé in brilliant blue metallic showing the Night package on the basis of the AMG Line Exterior with optionally available AMG multi-spoke light-alloy wheels (93R) with 255/45 R 20 front tyres and 285/40 R 20 rear tyres.



Optional equipment.

Stylish details, a special ambience or ingenious technical solutions – the possibilities are pretty much endless. Browse through them here in the brochure, in the price list or on the Mercedes-Benz website for your country, accessible via www.mercedes-benz.com. Personalise your new GLC Coupé here to suit your very own, individual style.

1 The pleasant, indirect light of the **ambience lighting** system creates a very special sense of wellbeing. Three different colours and five dimming levels are available to create the desired lighting mood.

2 For the best possible visibility on country roads and motorways, the **LED Intelligent Light System** adapts when turning or cornering to the prevailing light and driving conditions. In addition to the striking look, LED technology features greater luminosity while producing less glare.

3 Thanks to active ventilation, on hot days the **seat climate control system** quickly cools down the surface of the seats to a pleasant temperature and creates a balanced seat climate. In cold weather conditions, the on-demand seat heating provides cosy warmth as required.

4 **Active Parking Assist** makes finding a parking space easier, as well as parking in both parallel and end-on spaces; it also assists when exiting a parallel parking space. It automatically steers the vehicle into parking spaces and frees the driver from having to steer and brake.

Genuine Accessories.

Our range of Genuine Accessories is as comprehensive as your journeys will be varied. Each accessory product has been specifically designed for the GLC Coupé in accordance with the high quality standards of Mercedes-Benz. Explore the full range at: www.mercedes-benz-accessories.com

- 1 **5-twin-spoke light-alloy wheels**, painted matt himalayas grey and with a high-sheen finish, with 235/60 R 18 tyres.
- 2 **6-spoke light-alloy wheels**, painted black and with a high-sheen finish, with 235/55 R 19 tyres.
- 3 Precisely tailored to the body of your Mercedes-Benz, the **aluminium carrier bars** form the basis for many Mercedes-Benz transport solutions: combined ski and snowboard rack, cycle rack or roof boxes. Crash-tested. Lockable. **Roof box 450**: an aerodynamic design using extremely robust material and configured specifically for your Mercedes-Benz. Allowing simple and speedy mounting to the basic carrier bars. Particularly convenient loading and unloading thanks to the option of double-sided opening. Lockable from both sides. **Roof box 450**: capacity approx. 450 litres. Maximum load 75 kilograms (depending on the permissible roof load of your specific vehicle).
- 4 **LED projector, Mercedes star**, 2-piece set. For the exit lamps in the side doors.
- 5 **Illuminated Mercedes star**. The star centred in the radiator grille of your Mercedes will light up courtesy of fibre optic and LED technology when the vehicle is unlocked by remote control, and when a door or the tailgate is opened. Functionality only when the engine is switched off. Not in conjunction with DISTRONIC PLUS.





48

R41

R26

48R

27R

R96

R26

75R

R61

Wheels.

Wheels are indispensable on technical grounds, of course. But on an emotional level, too, the choice of the perfect wheel is an absolutely crucial ingredient of many people's dream car. We can understand that and trust that our wide range will make the decision as difficult as possible for you.

STANDARD EQUIPMENT AND OPTIONAL EXTRAS

R41 10-spoke light-alloy wheels, painted vanadium silver, with 235/60 R 18 tyres

R96 5-spoke light-alloy wheels, painted vanadium silver, with 235/60 R 18 tyres (option)

R26 5-spoke light-alloy wheels, painted vanadium silver, with 235/60 R 18 tyres (option)

R26 10-spoke light-alloy wheels, painted himalayas grey, with 235/55 R 19 tyres (option)

48R 5-spoke light-alloy wheels, painted tremolite grey and with a high-sheen finish, with 235/55 R 19 tyres (option)

75R Multi-spoke light-alloy wheels, painted tremolite grey and with a high-sheen finish, with 235/55 R 19 tyres (option)

27R 10-spoke light-alloy wheels, painted tremolite grey and with a high-sheen finish, with 235/55 R 19 tyres (option)

R61 5-spoke light-alloy wheels, painted tremolite grey and with a high-sheen finish, with 255/45 R 20 tyres (option)



R39



R33



RTB



49

93R



29R



RTA



92R



684

AMG

R39 5-spoke light-alloy wheels, painted black and with a high-sheen finish, with 235/55 R 19 tyres (option); part of Night package in conjunction with standard exterior equipment)

29R 5-spoke light-alloy wheels, painted black and with a high-sheen finish, with 255/45 R 20 tyres (ex-factory accessory tyres, option; not in conj. w. AMG Line Exterior)

R33 5-twin-spoke light-alloy wheels, painted black and with a high-sheen finish, with 255/45 R 20 tyres (option)

RTA 5-twin-spoke AMG light-alloy wheels, painted titanium grey and with a high-sheen finish, with 235/55 R 19 tyres at front and 255/50 R 19 tyres at rear (option; part of AMG Line Exterior)

RTB 5-twin-spoke AMG light-alloy wheels, painted high-gloss black and with a high-sheen finish, with 235/55 R 19 tyres at front and 255/50 R 19 tyres at rear (option; part of Night package in conj. w. AMG Line Exterior; standard for Mercedes-AMG GLC 43 4MATIC Coupé)

92R Multi-spoke AMG light-alloy wheels, painted titanium grey and with a high-sheen finish, with 255/45 R 20 tyres at front and 285/40 R 20 tyres at rear (option; only in conjunction with AMG Line Exterior and for Mercedes-AMG GLC 43 4MATIC Coupé)

93R Multi-spoke AMG light-alloy wheels, painted high-gloss black and with a high-sheen finish, with 255/45 R 20 tyres at front and 285/40 R 20 at rear (option; only in conj. w. AMG Line Exterior and for Mercedes-AMG GLC 43 4MATIC Coupé)

684 5-twin-spoke AMG light-alloy wheels, painted high-gloss black and with a high-sheen finish, with 255/40 R 21 tyres at front and 285/35 R 21 tyres at rear (option for Mercedes-AMG GLC 43 4MATIC Coupé; also available in titanium grey under Code 650)

FURTHER WHEELS

are available from our accessories range at www.mercedes-benz-accessories.com or from your authorised Mercedes-Benz dealer.

Extreme. Sport. The Mercedes-AMG GLC 43 4MATIC Coupé.

Mercedes-AMG is not just a manufacturer of performance vehicles, AMG is a promise. The promise always to go one step further, to expect a lot and to give our all. This is how we create exceptional automobiles for exceptional people.

And each time, something completely new comes out of it. For example a new form of expressionism, which combines the distinction of an SUV with the irresistible dynamic appeal of a sports car: the new Mercedes-AMG GLC 43 4MATIC Coupé.

Welcome to the world of AMG.





POWER



Star. Sprinter.

An even more explosive start off the blocks is guaranteed by the V6 biturbo engine in the new Mercedes-AMG GLC 43 4MATIC Coupé. The engine develops torque of 520 Nm from an output of 270 kW (367 hp), allowing it to accelerate from 0 to 100 km/h in 4.9 seconds. An incomparable driving experience is ensured by AMG DYNAMIC SELECT. The five transmission modes offer scope from comfortable and efficient through to extremely sporty. Easy to guess which setting will be taking you across the finishing line.





Muscle. Pack.

Poised for top performance: the tremendous potential of the Mercedes-AMG GLC 43 4MATIC Coupé is clear right from the start. The hallmark AMG A-Wing apron gives expression to its sporting dominance. A visual highlight at the front: the diamond radiator grille with chrome inserts and chrome pins. Looking at the vehicle from the side, its 19-inch 5-twin-spoke light-alloy wheels make an immediate impact. The spoiler lip and diffuser, together with the air outlets, appear to press the sportster firmly down onto the road and together form the dynamic high point of the iconic rear end. And then, when you hear the unmistakable sound of the AMG sports exhaust system emanating from the chrome tailpipes, you know that this is not a vehicle that needs to shy away from comparison.





Demonstration. Sport.

An unmistakable coupé silhouette, promising irresistible sporty performance: perhaps the best way to sum up the new Mercedes-AMG GLC 43 4MATIC Coupé. The vehicle has the all-wheel drive system AMG Performance 4MATIC to thank for its uncompromising tractive power. The result is optimum traction combined with exceptional driving enjoyment. With the optimum gear ratio to cope with any surface, provided by 9G-TRONIC, the world's first 9-speed automatic transmission with shorter shift times. There's only one thing that can stop this athlete: its high-performance braking system.



Indomitable. Spirit.

Maintaining speed. Brief hesitations. Full acceleration: the engine in a true Mercedes-AMG must deliver whatever you ask of it. To an exceptional standard. Which is why the 3.0-litre V6 biturbo unit in the Mercedes-AMG GLC 43 4MATIC Coupé features state-of-the-art injection technology – reducing fuel consumption and improving the driving dynamics. The electronically regulated AMG sports suspension works in perfect harmony with the AMG Performance 4MATIC system to allow this dynamism to unfold. In a nutshell: a concentration of technology that sets new standards in the SUV segment.







Passion grows when it is shared. The AMG Private Lounge is our community centred around the world of AMG. This is where AMG customers can meet at top-class events or access the online platform to exchange ideas about the latest developments from Affalterbach. They benefit from special offers and from a direct connection with the headquarters of AMG: www.mercedes-amg.com/privatelounge/welcome

The AMG Driving Academy stands for an incomparable team spirit: experience performance with like-minded drivers and improve your driving skills on the racetrack or at lifestyle events held at breathtaking locations around the world. Become a part of the “World’s Fastest Family”: www.mercedes-amg.com/driving-academy

Still want more? AMG offers a platform for professional motorsport under the name of the AMG Customer Sports Program – and, in the guise of the Mercedes-AMG GT3, a racing car designed specifically for it. A fully integrated service world allows you to experience motorsport at the highest level: www.mercedes-amg.com/customersports

In the AMG Performance Studio we create cars that are perfectly tailored to your wishes and desires. No limits are placed on the creativity of our experts, who demonstrate their unparalleled craftsmanship and attention to detail in areas as varied as special technical components, extravagant paintwork finishes and the most exclusive interior appointments imaginable, to produce one-off masterpieces.

Enter the world of AMG. Experience true driving performance.

We don't just build cars.
We make dreams come true.

Technical data.

No. of cylinders/arrangement
Total displacement in cc
Rated output ¹ in kW (hp) at rpm
Rated output ¹ of electric motor in kW (hp) at rpm
System output in kW (PS) at rpm
Rated torque ¹ in Nm at rpm
Rated torque ¹ of electric motor in Nm at rpm
System performance (Nm at rpm)
Transmission
Acceleration from 0 to 100 km/h in s
Top speed ² , approx. in km/h
Tyre size – front axle, rear axle
Fuel
Fuel consumption ² in l/100 km
Urban/extra-urban/combined
CO ₂ emissions ³ in g/km, combined
Emission class ³ /efficiency class ⁴
Energy consumption acc. to NEDC in kWh/100 km
Electric range in km
Tank capacity, of which reserve, approx. in l
Load capacity ⁵ in l
Turning circle diameter in m
Kerb weight ⁶ in kg
Perm. GVW in kg
Length ⁷ /Width incl. mirrors ⁷ in mm
Wheelbase ⁷ in mm
Track width front ⁷ /rear ⁷ in mm

The best for the engine:
Mercedes-Benz genuine engine oils.

DIESEL ENGINES

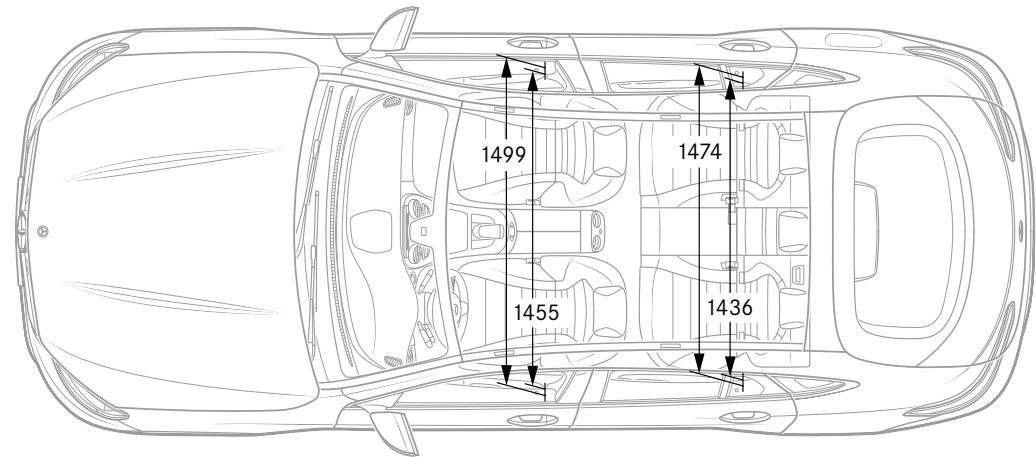
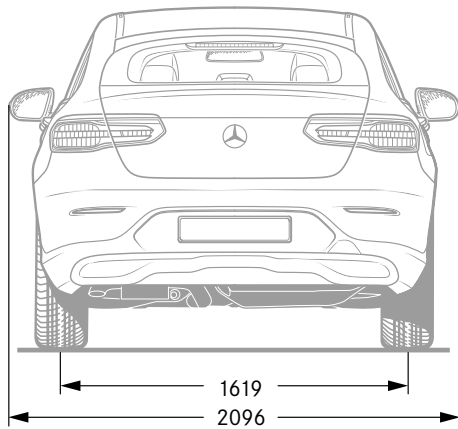
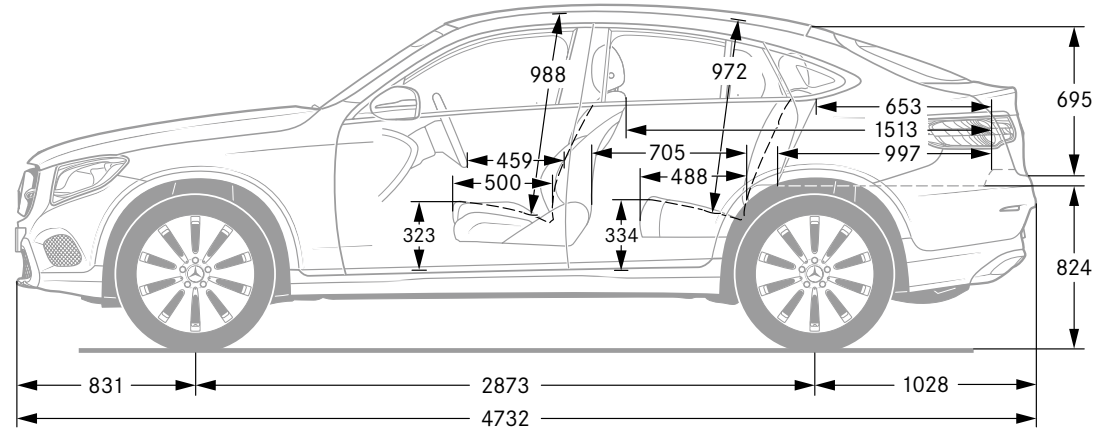
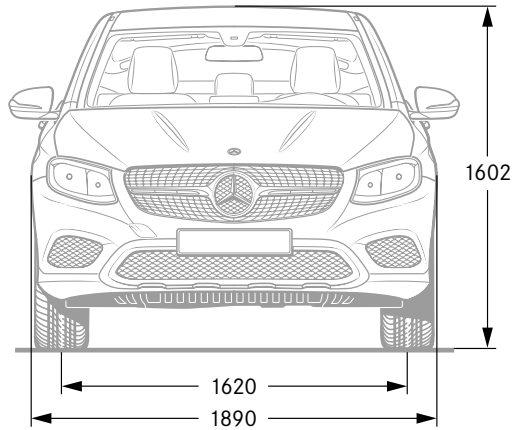
GLC 220 d 4MATIC Coupé	GLC 250 d 4MATIC Coupé
4/in-line	4/in-line
2143	2143
125 (170)/3000-4200	150 (204)/3800
-	-
-	-
400/1400-2800	500/1600-1800
-	-
-	-
9G-TRONIC	9G-TRONIC
8.3	7.6
210	222
235/60 R 18	235/60 R 18
Diesel	Diesel
6.2-5.7/5.0-4.7/5.4-5.0	6.2-5.7/5.0-4.7/5.4-5.0
143-131	143-131
Euro 6/A	Euro 6/A
-	-
-	-
50/7.0	50/7.0
500-1400	500-1400
11.80	11.80
1845	1845
2520	2520
4732/2096	4732/2096
2873	2873
1620/1619	1620/1619

¹ Information on rated output and rated torque in accordance with Directive (EC) No. 595/2009 in the currently applicable version. ² The figures shown for fuel consumption and CO₂ emissions were obtained in accordance with the prescribed measuring process (§ 2 Nos. 5, 6, 6a Pkw-EnVKV (German passenger car energy labelling ordinance) in the currently applicable version). The figures are not based on an individual vehicle and do not constitute part of the product offer; they are provided solely for purposes of comparison between different vehicle models. ³ Data applicable within the European Union only. May vary from

	PETROL ENGINES		ALTERNATIVE DRIVE SYSTEM
	GLC 250 4MATIC Coupé	Mercedes-AMG GLC 43 4MATIC Coupé	GLC 350 e 4MATIC Coupé*
No. of cylinders/arrangement	4/in-line	6/V	4/in-line
Total displacement in cc	1991	2996	1991
Rated output ¹ in kW (hp) at rpm	155 (211)/5500	270 (367)/5500-6000	155 (211)/5500
Rated output ¹ of electric motor in kW (hp) at rpm	-	-	85 (116)/3500
System output in kW (PS) at rpm	-	-	235 (320)/5000
Rated torque ¹ in Nm at rpm	350/1200-4000	520/2500-4500	350/1200-4000
Rated torque ¹ of electric motor in Nm at rpm	-	-	340/0-2000
System performance (Nm at rpm)	-	-	560/n/a
Transmission	9G-TRONIC	9G-TRONIC	7G-TRONIC PLUS
Acceleration from 0 to 100 km/h in s	7.3	4.9	5.9
Top speed ² , approx. in km/h	222	250 ⁸	235 ⁹
Tyre size - front axle, rear axle	235/60 R 18	235/55 R 19, 255/50 R 19	235/60 R 18
Fuel	Premium petrol	Super Plus petrol	Premium petrol
Fuel consumption ² in l/100 km			
Urban/extra-urban/combined	8.7-8.4/6.5-6.0/7.3-6.9	11.5-10.9/7.5-7.0/8.9-8.4	-/-/2.7-2.5
CO ₂ emissions ² in g/km, combined	170-159	203-192	64-59
Emission class ³ /efficiency class ⁴	Euro 6/B	Euro 6/D	Euro 6/A+
Energy consumption acc. to NEDC in kWh/100 km	-	-	15.2-13.9
Electric range in km	-	-	34
Tank capacity, of which reserve, approx. in l	66/7.0	66/7.0	50/7.0
Load capacity ⁵ in l	500-1400	550-1600	336-1310
Turning circle diameter in m	11.80	12.10	11.80
Kerb weight ⁶ in kg	1785	1855	2040
Perm. GVW in kg	2430	2460	2625
Length ⁷ /Width incl. mirrors ⁷ in mm	4732/2096	4727/2096	4732/2096
Wheelbase ⁷ in mm	2873	2873	2873
Track width front ⁷ /rear ⁷ in mm	1620/1619	1639/1655	1620/1619

country to country. ⁴ Obtained on the basis of the measured CO₂ emissions, taking account of the vehicle mass. ⁵ Figures in accordance with Directive 2007/46/EC in the currently applicable version. ⁶ Figures in accordance with Directive 92/21/EC in the currently applicable version (kerb weight, fuel tank 90 percent full, with driver, 68 kilograms, and luggage, 7 kilograms) for standard-specification vehicles. Optional extras and accessories will generally increase this figure, reducing the payload accordingly. ⁷ The dimensions shown are median values. They apply to vehicles in the standard specification and unladen. ⁸ Electronically governed. ⁹ Applies only with fully-charged HV battery. * GLC 350 e 4MATIC Coupé available from 12/2016. Further technical data are available at www.mercedes-benz.com

Dimensions.



All dimensions in millimetres. The dimensions shown are mean values and apply to standard-specification, unladen vehicles.

Upholstery and trim.

Upholstery

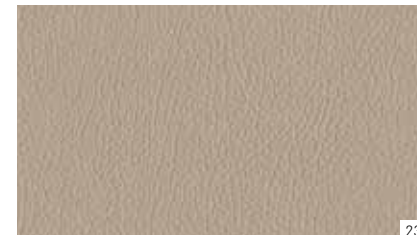
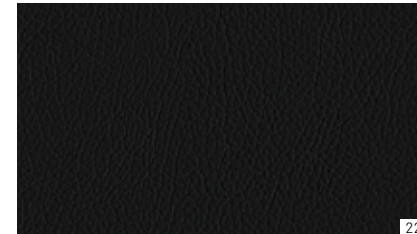
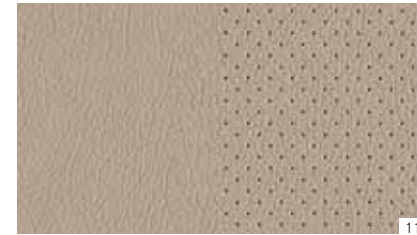
- 101 ARTICO man-made leather, black
 105 ARTICO man-made leather, silk beige/espresso brown
 114 ARTICO man-made leather, espresso brown/black
 115 ARTICO man-made leather, silk beige/black
 197 ARTICO man-made leather, cranberry red/black^{1,2}
 221 Leather, black^{1,3,4}
 224 Leather, espresso brown/black^{1,4}
 225 Leather, silk beige/espresso brown^{1,4}
 234 Leather, saddle brown/black^{1,4}
 235 Leather, silk beige/black¹
 241 Leather, black⁴
 297 Leather, cranberry red/black^{1,2,4}
 301 ARTICO man-made leather/Grenoble fabric, black^{1,5}
 314 ARTICO man-made leather/Grenoble fabric, black/espresso brown^{1,5}
 641 Artico man-made leather/DINAMICA microfibre, black⁶
 651 ARTICO man-made leather/DINAMICA microfibre, black^{1,7}
 971 designo nappa leather, black^{1,4,8}
 975 designo nappa leather, platinum white pearl/black^{1,4,8}

Trim

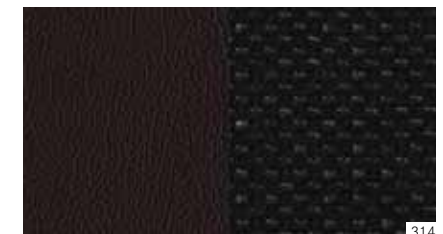
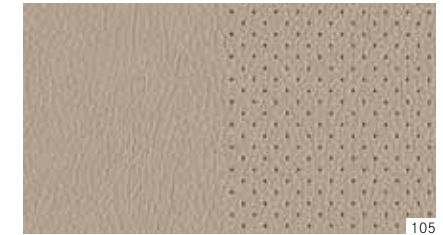
- H80 Black piano-lacquer look
 H07 High-gloss brown linestructure lime wood^{1,9}
 739 Aluminium with light longitudinal grain/black piano-lacquer look^{1,6,7}
 H24 High-gloss brown linestructure lime wood¹
 731 High-gloss brown burr walnut wood¹
 H09 Brown open-pore ash wood¹
 736 Black open-pore ash wood¹
 H73 AMG carbon fibre/aluminium with light longitudinal grain¹

¹ Optional extra. ² Only available in conj. w. AMG Line Interior. ³ Also available as an optional extra in conj. w. AMG Line Interior. ⁴ Optional extra for Mercedes-AMG GLC 43 4MATIC Coupé. ⁵ Only available in conj. w. EXCLUSIVE interior. ⁶ Standard for Mercedes-AMG GLC 43 4MATIC Coupé. ⁷ Standard in conj. w. AMG Line Interior. ⁸ Only in conj. w. EXCLUSIVE interior. ⁹ Standard in conj. w. EXCLUSIVE interior and designo interior in black.

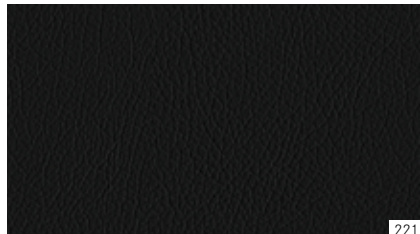
Standard equipment



EXCLUSIVE¹



AMG Line¹



221



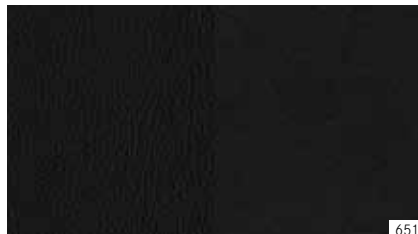
224



225



234



651



641



197



241



297

designo¹



971



975

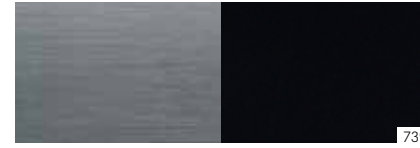
Trim



H80



H07



739



H24



731



H09



736



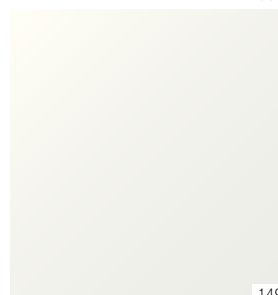
H73

Paintwork.

Non-metallic paints



040



149

Metallic paints¹



197



775



896



988



796



992



890

designo paints¹



271



799



996

Non-metallic paints

- 040 black
149 polar white

Metallic paints¹

- 197 obsidian black
775 iridium silver
796 citrine brown
890 cavansite blue
896 brilliant blue
988 diamond silver
992 selenite grey

designo paints¹

- 271 designo citrine brown magno
799 designo diamond white bright
996 designo hyacinth red metallic
-

¹ Optional extra.
Further individual designo paint finishes are available from your authorised Mercedes-Benz dealer.



Mercedes-Benz is one of the founding partners of the “Laureus Sport for Good Foundation”.

Since the foundation was established in 2000, Mercedes-Benz has been supporting and promoting the aims and values of this worldwide non-profit-making programme: to use social sports projects to improve the lives of children and young people who are disadvantaged or suffering from illness. Laureus has become a fundamental element of Mercedes-Benz’s social responsibility. Every new Mercedes is an ambassador embodying these values. In buying a Mercedes you are supporting the “Laureus Sport for Good Foundation”.

Please note: changes may have been made to the product since going to press (15.04.2016). The manufacturer reserves the right during the delivery period to make changes to the design, form, colour or specification, provided these changes, while taking into account the interests of the vendor, can be deemed reasonable with respect to the purchaser. Where the vendor or the manufacturer uses symbols or numbers to describe an order or the subject of an order, no rights may be derived solely from these. The illustrations may include accessories and optional extras which do not form part of the standard specification. Actual colours may differ slightly from those shown owing to the limitations of the printing process. This brochure is distributed internationally. Information given regarding statutory regulations, legal requirements and taxation and the consequences thereof applies to the Federal Republic of Germany only and is correct at the time of going to press. For current and more specific information in relation to the range of models, features, optional extras, colours and/or services available in your country, and their pricing, you should contact your nearest authorised Mercedes-Benz Passenger Car Dealer.

www.mercedes-benz.com

Daimler AG, Mercedesstr. 137, 70327 Stuttgart MS/MAC 6701 · 1633 · 02-00/0916

Take-back of end-of-life vehicles. You can return your GLC Coupé to us for environment-friendly disposal in accordance with the European Union (EU) End-Of-Life Vehicle Directive. But that day lies a long way off.

A network of vehicle take-back depots and dismantlers has been established to make it as easy as possible for you to return your vehicle. You can leave it at any of these points free of charge and, by doing so, make an important contribution to completing the recycling process and conserving resources.

For further information about the recycling and disposal of end-of-life vehicles, and the take-back conditions, please visit the national Mercedes-Benz website.