

This Brochure is prepared by Daimler AG and it predominantly reflects the capabilities and performance of vehicles sold in Europe. Some characteristics, capabilities performance features and optional extras (e.g. towing systems) may not be available or may not apply in Australia or under Australian conditions. The information in this brochure is therefore indicative, illustrative and provided only for guidance and should not be relied on. To obtain current and accurate information on a vehicle and any options applicable to Australia, contact your local authorized Mercedes-Benz dealer.

This Brochure is prepared by Daimler AG and it predominantly reflects the capabilities and performance of vehicles sold in Europe. Some characteristics, capabilities performance features and optional extras (e.g. towing systems) may not be available or may not apply in Australia or under Australian conditions. The information in this brochure is therefore indicative, illustrative and provided only for guidance and should not be relied on. To obtain current and accurate information on a vehicle and any options applicable to Australia, contact your local authorized Mercedes-Benz dealer.

GLS Sport Utility Vehicle



Mercedes-Benz



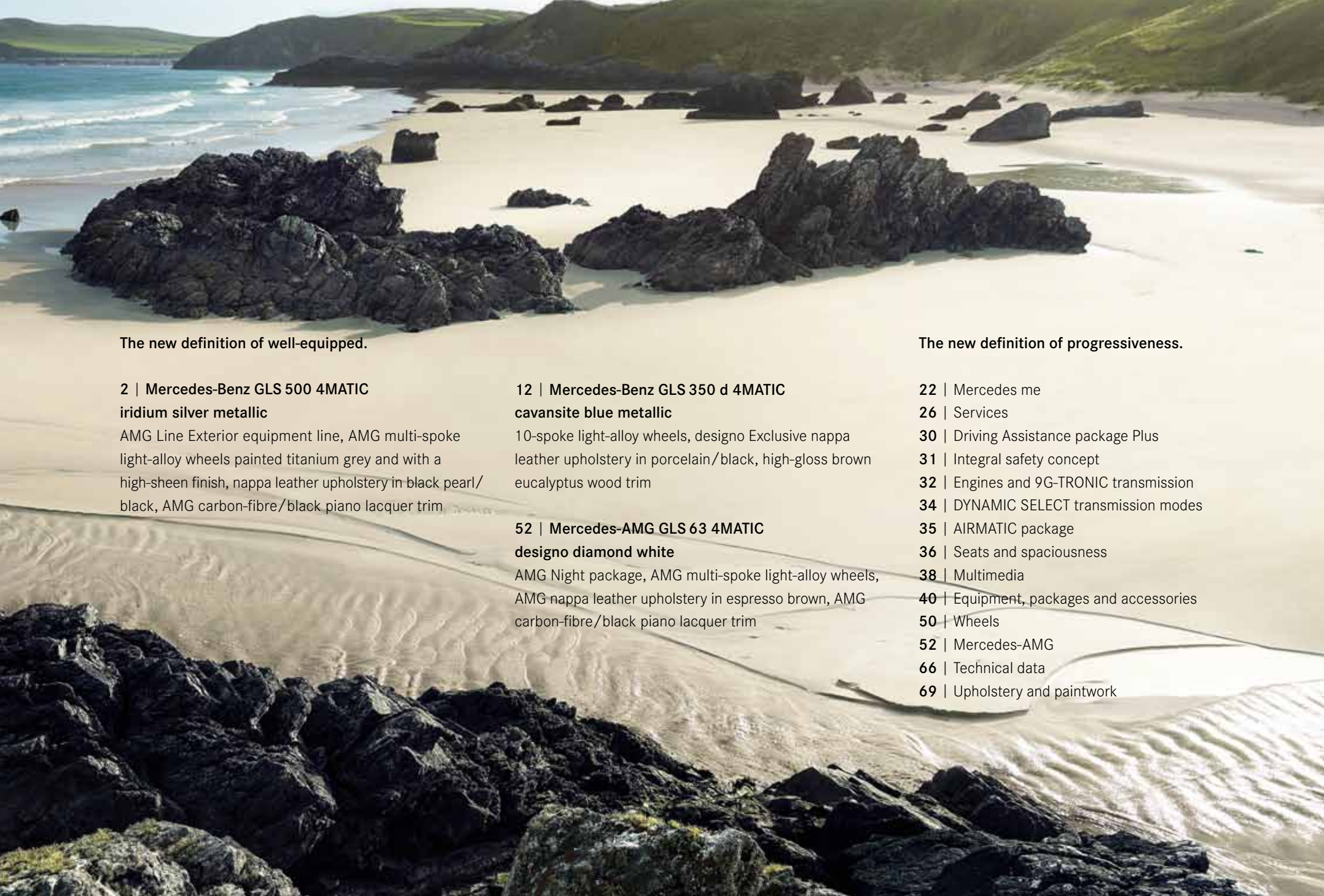
The new lightness of being.

With time, with success and with experience, ambitions don't diminish. The journey just gets more enjoyable. More effortless. Safer. Everything feels somehow lighter when you travel in the new GLS, the SUV in the S-Class. Peace and serenity? You've never experienced them like this before. Power? More than enough. Limits? None that we're aware of.

THE NEW WAY OF SEEING THINGS.



Experience the new GLS in exciting HD. With the Mercedes-Benz brochure app for the iPad® and with the Digital Owner's Manual from "Mercedes-Benz Guides" for the iPhone®. Both apps feature a host of films and further additional content, and are available free of charge from the iTunes Store®.



The new definition of well-equipped.

**2 | Mercedes-Benz GLS 500 4MATIC
iridium silver metallic**

AMG Line Exterior equipment line, AMG multi-spoke light-alloy wheels painted titanium grey and with a high-sheen finish, nappa leather upholstery in black pearl/black, AMG carbon-fibre/black piano lacquer trim

**12 | Mercedes-Benz GLS 350 d 4MATIC
cavansite blue metallic**

10-spoke light-alloy wheels, designo Exclusive nappa leather upholstery in porcelain/black, high-gloss brown eucalyptus wood trim

**52 | Mercedes-AMG GLS 63 4MATIC
designo diamond white**

AMG Night package, AMG multi-spoke light-alloy wheels, AMG nappa leather upholstery in espresso brown, AMG carbon-fibre/black piano lacquer trim

The new definition of progressiveness.

22 | Mercedes me

26 | Services

30 | Driving Assistance package Plus

31 | Integral safety concept

32 | Engines and 9G-TRONIC transmission

34 | DYNAMIC SELECT transmission modes

35 | AIRMATIC package

36 | Seats and spaciousness

38 | Multimedia

40 | Equipment, packages and accessories

50 | Wheels

52 | Mercedes-AMG

66 | Technical data


69 | Upholstery and paintwork

Charisma.
Without any effort at all.

It's an art mastered by very few: the new GLS commands its surroundings just by being there – and with an enticingly high-quality design. New features include the powerdomes on the bonnet and the filigree pattern of the radiator grille with its large three-pointed star. This three-dimensional effect is extremely complex to design and produce, but it is what gives the front end of the new GLS its signature look.





A silver Mercedes-Benz GLS SUV is shown from the rear left side, parked on a sandy dune. The foreground is dominated by tall, thin grasses that are slightly out of focus. The background features a sandy beach, a blue ocean, and distant mountains under a clear sky. The lighting is bright, suggesting a sunny day.

Masculine and self-assuredly sporty – on a Mercedes the size of the new GLS, every component is a statement. The powerful rear end with integrated tailpipe trim in a new design, the chrome-look load sill guard and the two-piece full-LED rear light clusters help to define the dynamic character of the GLS. The darker it gets, the more you stand out – for that perfect appearance.



A silver SUV is shown from the rear left side, driving on a dirt road. The road is flanked by tall, green grasses that are blurred due to motion. In the background, there is a body of water, a mountain range, and a clear blue sky with some light clouds. The overall scene conveys a sense of adventure and exploration.

Off the beaten track.
Leaving the familiar behind.



A place of refuge
for visionaries.



Endless expanses. An awesome sense of calm. Somewhere you're always keen to return to. The interior of the new GLS. Highlights include the standard DYNAMIC SELECT Controller, the large media display with its high-quality glass finish and the touchpad that comes with the optional COMAND Online. The new 3-spoke multi-function steering wheel in nappa leather, with an airbag cover also in nappa leather, is a sensory experience in its own right. Options include high-grade trim finishes in wood, aluminium or carbon fibre.



There are still seats to be had in seventh heaven.

You travel in such luxury in the GLS that you really ought to share it. Three rows of seats as standard offer top-level comfort and ample space for up to seven occupants. The seats can be used very flexibly, featuring as they do backrest angle adjustment for the second row and electric folding for the third. Heated seats are available as an option for the rear as well.



THE OFF-ROAD ADVENTURE. THE NEW GLS IS READY.

The comfort, the space, the equipment and appointment options – no question about it, the new GLS is as if made for long, relaxed journeys. That's why there's an S in GLS. It represents the comfort of an S-Class. But there's a G there too – and at Mercedes-Benz that stands above all for: harder, higher, further. Our competence with all things off-road is legendary, a reputation established above all by the indestructible G-Class. There's more than just one letter of that name in the GLS: simply press the "Off-road" button to activate the off-road transmission mode. This adjusts the suspension and drive components to the optimum configuration. A further available option is the Off-road Engineering package, which includes a low-range gearbox, a differential lock on the centre differential, protective panelling for the engine and an adjustable ride height.





All the best locations.

Sometimes air can be a real luxury. When we take a deep breath, when we stand in a rough wind – or when we travel in the new GLS. The air inside the car can be ionised, if you so wish, so perceptibly improving your sense of wellbeing. In addition, the AIRMATIC air suspension with the ADS PLUS Adaptive Damping System cushions the passengers at a whole new level of comfort. Further features include the 9G-TRONIC 9-speed automatic transmission and numerous driving assistance systems – available for the first time in this class of vehicle. It is hard to think of a more comfortable, more assured and safer way to travel.



Enhance your prospects.





S-Class, when that's what you want.
SUV, when that's what you need.



That's what luxury is about: investing everything in the business and even more in the family. Spending time with friends, yet sometimes just being alone. Luxury is the perfect balance. And that is so important that the new GLS has a special Controller for it: the DYNAMIC SELECT Controller. You can use it to select any one of up to six transmission modes, ranging from pronounced comfort to extreme off-road capability. Because every day is different. And every journey and every person, as well.





Digital life can be exciting. In the new GLS it involves high-resolution displays, a touch-sensitive touchpad and comprehensive networking. How reassuring to know that you can also just lean back and relax. Enjoy a perfectly coordinated colour scheme, with new shades and combinations now available. Sit back and enjoy the ginger beige or espresso brown interior, highlighted with new carbon-fibre or piano lacquer trim elements.





Our next great innovation revolves around you.

Prepare to be inspired, surprised and thrilled by new services, products and experiences at www.mercedes.me. You are also warmly invited to check out our Mercedes me stores in major cities such as Hamburg, Milan, Tokyo or Hong Kong.





Mercedes me. Welcome to your Mercedes-Benz world.

You have new questions, Mercedes-Benz has a new answer for you: Mercedes me. Your point of access to a fascinating world of personalised services from Mercedes-Benz. Offering innovative, individualised mobility, connectivity, finance and other services, as well as special brand experiences. All subject to continual development. Innovative, simple and cutting-edge: www.mercedes.me

Join us – on your smartphone, tablet or PC. And let's shape tomorrow's world together. Any time, anywhere.

Mercedes connect me is all about networking the vehicle with the driver – and more besides: the car is becoming part of the way we live, providing added comfort as well as the reassurance of being permanently connected, even while on the move. Mercedes connect me includes Standard Services, which are able to provide you with automatic support in the event of a breakdown or an accident, and Remote Online Services – the option enabling vehicle settings to be carried out by smartphone.



Mercedes finance me offers you various routes to your vehicle of choice. Mercedes-Benz Financial Services finds the ideal leasing, financing and insurance solution together with you – tailored to your needs. Our leasing products enable you to drive the latest models at all times while enjoying maximum flexibility, as you pay not for acquisition of the vehicle, but only for its use. You also benefit from attractive monthly instalments. Our financing arrangements enable you to pay for your new Mercedes-Benz in a way that suits your personal budget. You can tailor your monthly instalments to your needs by deciding on an appropriate down-payment and term for your contract. Our individual insurance solutions offer reliable protection for your budget and your vehicle on attractive terms.

Mercedes inspire me offers special brand experiences and an opportunity to engage in an inspiring dialogue. We aim to share our ideas with you and we would like to know your ideas and wishes. So that we can always offer you the best solutions. A community is available to this end, and you will also find a growing range of offerings and experiences which go beyond the traditional vehicle-related topics – from areas such as events, travel and lifestyle.

Mercedes move me offers access to the intelligent mobility solution moovel: this mobility app pools the offerings from various mobility providers to find the ideal route from A to B. car2go is the pioneer and market leader worldwide in free-floating car sharing, and car2go black stands for smartphone-based car sharing with Mercedes-Benz B-Class vehicles. With the mytaxi app you can order a taxi, track its approach live and pay for your journey in a convenient manner.

Mercedes assist me makes easy work of organising maintenance for your vehicle, providing a convenient online means of locating a Mercedes-Benz dealer in your neighbourhood and arranging a service appointment. The digital service report keeps you up to date on performed service work at all times. The report is available to you online just one day after a service. In addition to the current service report, you can also view your vehicle's complete service history and service intervals, and you can print this information out if you so wish.

**Mercedes-Benz
Service**



Our service: the perfect fit for your Mercedes.

Beyond the car itself, you also acquire something priceless – an exclusive partnership with Mercedes-Benz. For you, this means safety, independence and motoring free of any worries. In other words: the reassuring feeling of driving a Mercedes.

The best for your Mercedes. No-one knows your Mercedes better than our experienced specialists at the Mercedes-Benz workshops. The comprehensive range of services and the high standard of quality ensure that your vehicle is in top condition. We use tested Mercedes-Benz GenuineParts and special tools to this end.

The best for you. Motoring free of any worries right from the word go: with the tailor-made Mercedes-Benz Service Contracts. These offer you the benefits of a reliable basis for long-term planning, permanent control over costs, fixed monthly rates and cost transparency. Plus ideal protection from additional workshop costs.

The best for your mobility. The Mercedes-Benz Mobilo¹ insurance package provides for motoring free of any worries throughout Europe – covering breakdowns, accidents, minor mishaps and vandalism. The benefits offered by Mobilo include on-the-spot assistance, a replacement vehicle, towing and overnight hotel accommodation, for example. This mobility guarantee is automatically on board for the first two years after initial registration, and can subsequently be renewed for a period of up to 30 years in all. Whenever you need assistance, you can reach us free of charge throughout Europe on 00800 1 777 7777².

↘ **FIND OUT MORE**

For the full information on Mercedes-Benz Service Contracts, go to www.mercedes-benz.com/servicevertraege – or ask your authorised Mercedes-Benz dealer to draw up an individual offer for you.

¹ Our general terms and conditions apply. The period of validity is extended after each service carried out by an authorised Mercedes-Benz service partner until the due date for the next service – up to a maximum of 30 years after initial registration. ² Roaming charges may apply when calling from abroad.

What would motorsport be without Mercedes-Benz?

The first vehicle ever to win an automobile race was powered by a Daimler engine. The first Mercedes was a racing car. The Silver Arrows – a true legend. Mercedes-Benz has a long tradition of involvement with the world of sport. Motorsport shapes the brand and every vehicle bearing the Mercedes star to this day. Discover the brand's unique history first-hand: at the Mercedes-Benz Museum in Stuttgart.

↘ FIND OUT MORE

Discover just what has been moving the world for almost 130 years and take a journey through time as well as through the history of the automobile at the Mercedes-Benz Museum. More than 1500 exhibits await you on 16,500 sqm of floor-space, including unique gems such as the oldest surviving Mercedes from 1902 or the legendary gull-wing models.

Welcome to a place of innovation:

www.mercedes-benz.com/museum



What would Mercedes-Benz be without motorsport?

3 June 1934 marked the beginning of the Silver Arrows legend in the International Eifel Race at the Nürburgring. The Silver Arrows works team MERCEDES AMG PETRONAS continued this tradition in the 2014 Formula 1 season. Its successful involvement was crowned by the most impressive double victory of the season, with the team topping both the constructors' and the drivers' rankings. The team's successes are not restricted to the race track, however. Every mile raced also advances the development of hybrid technology for series production.

FIND OUT MORE

Fascinating Formula 1 goes multimedia:

<http://www.facebook.com/MercedesAMGF1>

<http://twitter.com/MERCEDESAMGF1>

<http://www.youtube.com/user/MERCEDESAMGPETRONAS>

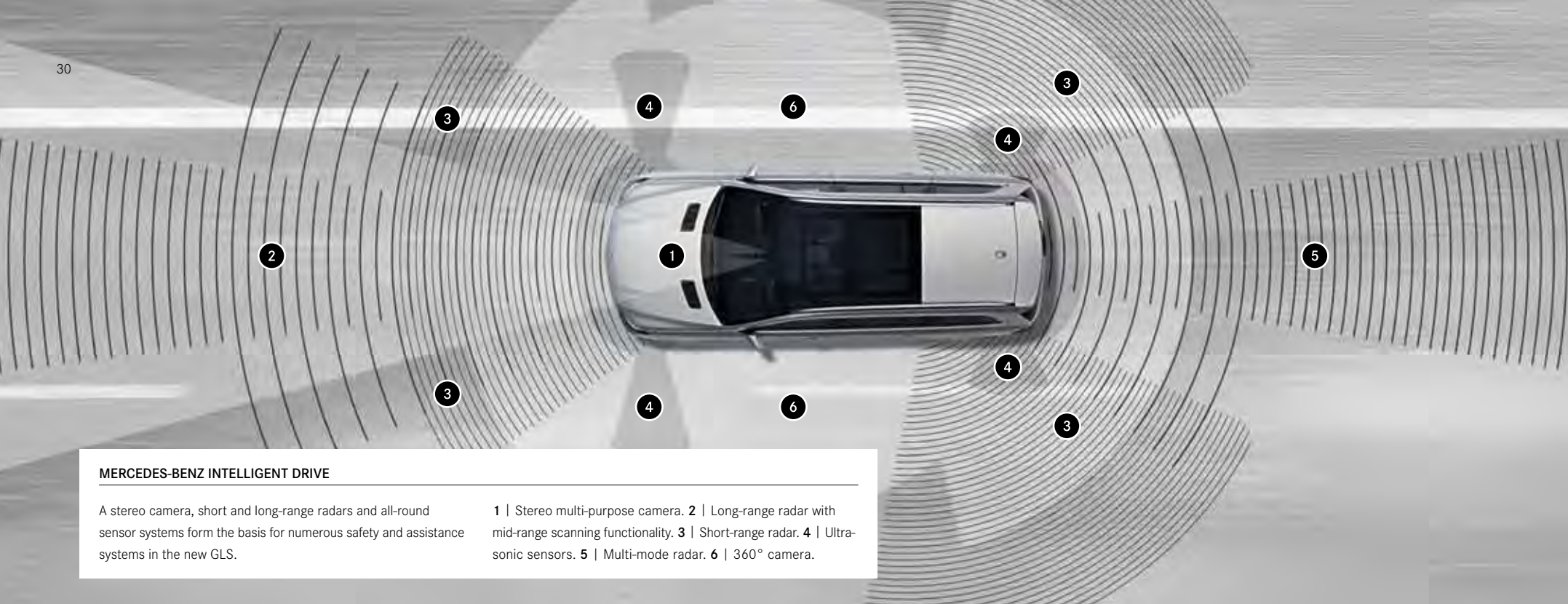
<http://plus.google.com/+Mercedesamgf1/posts>

<http://instagram.com/MercedesAMGF1#>

<http://www.MercedesAMGF1.com>



MERCEDES AMG PETRONAS F1 W06 hybrid, 2015 season.



MERCEDES-BENZ INTELLIGENT DRIVE

A stereo camera, short and long-range radars and all-round sensor systems form the basis for numerous safety and assistance systems in the new GLS.

1 | Stereo multi-purpose camera. 2 | Long-range radar with mid-range scanning functionality. 3 | Short-range radar. 4 | Ultrasonic sensors. 5 | Multi-mode radar. 6 | 360° camera.

Driving Assistance package Plus. Positively safer.

A combination of complementary safety and assistance systems, available as options, can help to relieve driver stress, reduce the risk of accidents and improve protection for both the occupants and other road users. DISTRONIC PLUS with Steering Assist and Stop&Go Pilot helps the driver to maintain a safe distance from the vehicle in front and stay in the centre of the lane. In this way, the system provides a great deal of stress-relieving comfort, especially on long journeys and when following vehicles in a traffic jam. Brake Assist BAS PLUS with Cross-Traffic Assist and PRE-SAFE® Brake can reduce the risk of

accidents at junctions, rear-end collisions and collisions with pedestrians, particularly in urban traffic. Active Lane Keeping Assist and Active Blind Spot Assist provide assistance if the vehicle inadvertently drifts out of its lane or if the danger of collision with other vehicles arises when changing lanes. One-sided brake interventions can help to steer it back into lane or avoid an accident. And finally, PRE-SAFE® PLUS extends the functions of the PRE-SAFE® occupant protection system with preventive measures when a rear-end collision threatens.

The reassuring feeling of driving a Mercedes-Benz.

We are the first automotive manufacturer worldwide to have developed an **integral safety concept**, aimed at avoiding accidents, ensuring ideal responses to dangers and lessening the consequences of accidents. For the occupants of a Mercedes-Benz and for all other road users, too.

SAFE DRIVING

Traffic Sign Assist is able to detect speed limits, no-entry and no-overtaking signs and their cancellation, and improves driver awareness by displaying these in the instrument cluster. Part of the optional COMAND Online.

Adaptive Highbeam Assist Plus, available as an option, allows the high-beam headlamps to be kept on permanently, since oncoming traffic or vehicles in front are masked out in the cone of light.

ATTENTION ASSIST is able to recognise typical signs of tiredness from the steering style and warn the driver accordingly.

COLLISION PREVENTION ASSIST PLUS gives the driver a visual warning if the distance to the vehicle in front is not sufficient. If the risk of a collision has been detected, an audible warning is given; the system can support the driver's braking action or brake semi-autonomously if they fail to respond.

A further function of ESP® is **Crosswind Assist** with automatic lane-correcting braking intervention. The **4ETS electronic traction system** can prevent the driven wheels from spinning on one side when moving off and accelerating by means of brake actuation, as well as preventing both driven wheels from spinning momentarily when cornering within certain speed ranges.

IN THE EVENT OF DANGER

The **occupant protection system PRE-SAFE®** is able to identify critical driving situations in advance and to initiate precautionary measures to protect the vehicle's occupants if an accident appears imminent. Such measures include reversible belt tensioning or automatic closing of open side windows, for example.

IN AN ACCIDENT

Numerous **airbags** protect the occupants in the event of an accident, so potentially reducing the risk of serious injury: adaptive airbags and sidebags for the driver and front passenger, kneebag for the driver plus windowbags.

If no one is sitting in the front passenger seat or a child seat is detected, the front passenger airbag can be automatically deactivated. This protects small children from injuries caused by activation of the front passenger airbag. Detection is assured through a pressure sensor.

Should a pedestrian collide head-on with the vehicle, the rear section of the **active bonnet** is raised. The increased distance from the components inside the engine compartment creates an additional deformation space that can help reduce the risk of injury to pedestrians in certain accident situations.

AFTER AN ACCIDENT

Every Mercedes-Benz is fully trained in first aid. If the worst comes to the worst, the engine can be stopped automatically, the hazard warning lights and emergency interior lighting can be activated, and the central locking can be unlocked. And finally, the standard-fit integral **Mercedes-Benz emergency call system** (country-specific) can transmit GPS position data and important vehicle information, though we hope this will never be needed.

The gene for effortless superiority is called V8.

Efficient right from the start and endless power. The engine range for the new GLS offers the perfect solution to every need. But one engine is particularly close to our hearts, in its own irresistibly sonorous way: the V8 in the **GLS 500 4MATIC**. What an auditory experience, what a soft, velvety way to deliver power. It's enough to give even the most experienced automotive enthusiast goose bumps. This engine is just ideal for powering the SUV in the S-Class. This Mercedes that oozes self-assurance with every fibre of its being. It's hard to describe the ease with which even such a large SUV accelerates, how smoothly each command to the accelerator pedal is obeyed. An incredible peak torque of 700 Nm translates into almost inexhaustible reserves of power in virtually any driving situation.

Sympathetic support from the world's very first 9-speed automatic transmission.

With nine forward gears, the 9G-TRONIC automatic transmission introduces a whole new dimension of efficiency, comfort and dynamism. Its high efficiency helps to reduce fuel consumption. The wider ratio range allows a reduction

in engine speed. Performance remains excellent while ride comfort is enhanced and noise levels are reduced. Smaller gear ratio increments and faster gear changes lead to even greater responsiveness and agility. At the same time, 9G-TRONIC impresses with smooth, barely perceptible gear shifting. As 9G-TRONIC is able to skip individual gears, multiple downshifts are possible for fast and powerful sprints.

THE ENGINE RANGE

Diesel:

GLS 350 d 4MATIC with an output of 190 kW (258 hp) and a peak torque of 620 Nm

Petrol:

GLS 400 4MATIC with an output of 245 kW (333 hp) and a peak torque of 480 Nm

GLS 500 4MATIC with an output of 335 kW (455 hp) and a peak torque of 700 Nm

Mercedes-AMG GLS 63 4MATIC with an output of 430 kW (585 hp) and a peak torque of 760 Nm

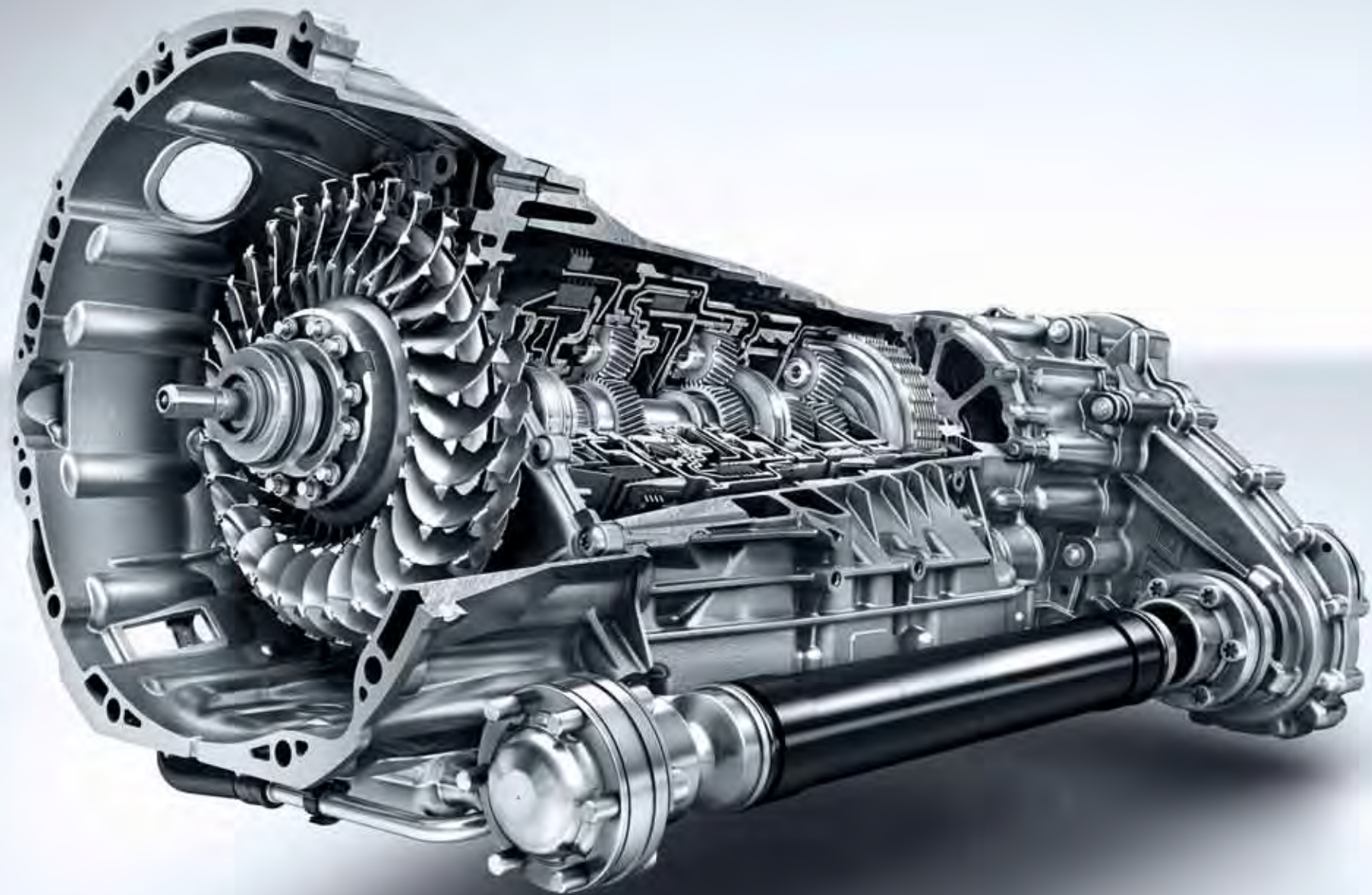
DRIVE SYSTEM TECHNOLOGIES

The standard-specification **ECO start/stop function** shuts off the engine temporarily at a red light or in a traffic jam in order to lower fuel consumption further.

Cruise control with SPEEDTRONIC allows relaxed and fuel-efficient driving, especially on long journeys. In addition to the desired cruising speed, an individual maximum speed can be set e.g. to be sure of obeying speed limits.

↘ FIND OUT MORE

Further technical data for each of the various engines may be found on page 68.





An innovation that changes almost everything: DYNAMIC SELECT.

Comfortable, sporty, winter-optimised or entirely individual suspension settings can be called up with the **DYNAMIC SELECT** Controller on the centre console. Harmonious and efficient driving is made possible by the “Comfort” transmission mode. “Sport” is characterised by a sportier configuration of the suspension, which has also been lowered by 15 mm, and sportily taut damper settings, in each case in conjunction with the AIRMATIC package, along with more directly responsive steering and modified shift points. The “Slippery” transmission mode provides optimised handling on icy and snow-covered roads, while “Individual” allows precise configuration of the various parameters to suit the driver’s wishes.

FOR THOSE SPECIAL OCCASIONS: THE OFF-ROAD ENGINEERING PACKAGE

Whether on- or off-road, on easy or difficult terrain, on fast bends or in snow – the optional **Off-Road Engineering package** makes it possible to adjust handling perfectly to the given situation, just by turning the DYNAMIC SELECT rotary switch. A total of six modes are available via DYNAMIC SELECT – two of which are designed to help with driving on a difficult surface. The characteristics of the ESP®, 4ETS, ASR, steering, ground clearance, air suspension and damping, for example, are automatically adjusted according to the mode selected. The selected transmission mode is displayed in the instrument cluster and in the media display by means of an animation that depicts, for example, gradient and incline angle. For off-road operation the options are “Off-road” for sand and light terrain and “Off-road+” for difficult terrain.



AIRMATIC. The ultimate in continuous smooth operation.

The standard-specification air suspension system **AIRMATIC**, together with the **ADS PLUS adaptive damping system**, ensures a high level of ride comfort and excellent driving dynamics. The damping system adjusts continuously to the actual driving and road conditions at each wheel. Pitching and rolling, for example when cornering or braking, can be effectively reduced. It is possible to select between a comfortable and a sportier configuration for the AIRMATIC package. The level control system ensures a constant vehicle level regardless of its load and driving condition. At high speeds, and in the "Sport" transmission mode, the vehicle is lowered by up to 15 millimetres in order to reduce wind resistance and further increase stability. Off-road capability can be increased by raising the level by up to 90 mm – depending on the specification.

IMPROVED COMFORT. IMPROVED DYNAMISM. IMPROVED TRACTION.

The active stabiliser bars of the optional **ACTIVE CURVE SYSTEM** reduce the tendency of the vehicle to roll, so ensuring enhanced ride comfort on the road. When driving off-road, the higher degree of articulation facilitates greater traction.

Excellent handling on any surface – thanks to **4MATIC permanent all-wheel drive** in combination with ABS, ESP® and the electronic traction system 4ETS. On- or off-road, in wet weather, ice or snow: traction, driving dynamics and driving stability are improved.



Surrender before such seating comfort.

Thanks to their inflatable air chambers, the optional **multicontour seats with massage function** ensure the best possible seating comfort for driver and front passenger. That is why they are recommended by the AGR spinal health organisation. Driver and front passenger can use various air chambers to adjust their seats individually to their personal physique – from seat cushion depth via the side bolsters to the position and curvature of the backrest. A lumbar adjustment gives added support to the spine. The massage function with seven zones and two selectable intensities prevents muscle tension, in particular on long journeys. The luxury head restraints enhance comfort still further.



SEATING COMFORT

The optional **EASY-ENTRY system** facilitates access from either side – at the touch of an electric button – to the third seat row. The backrests and bench seat of the second row of seats can be folded forward electrically with a split of 60% (left) to 40% (right).

The optional **Memory package** is especially convenient if the vehicle is used by more than one person. Up to three different positions for the electrically adjustable front seats, steering column and exterior mirrors can be stored or retrieved at the touch of a button.

On a hot day, the active ventilation function of the optional **climatized seats** rapidly cools the surfaces of the front seats to a pleasant temperature to ensure well-balanced seating comfort. In cold weather conditions, the on-demand seat heating provides cosy warmth as required.

Large as ever. Versatile as never before.

With a capacity of up to 2300 l, the load compartment of the GLS is the largest in this segment. The load space behind the second seat row is 680 l. The standard-fit EASY-PACK tailgate, the 60:40 split folding rear seats and the headroom of 1.95 m below the open tailgate make the load compartment exceptionally versatile and allow easy loading and unloading.

LOAD COMPARTMENT AND VARIABILITY

The **EASY-PACK tailgate** can be opened and closed at the touch of a button for more convenient loading and unloading of the load compartment.

The **EASY-PACK load compartment cover** protects luggage from the sun and prying eyes. It consists of a retractable cover, which is mounted behind the rear seats and can be removed at any time.

The practical **through-loading feature** above the rear armrest is an option that allows the transport of long objects. A flap is opened from within the luggage compartment to enable loading.

Six **lashing eyelets** on the floor of the load compartment and the backrests of the third row of seats, together with a **folding bag hook** on the right-hand side of the load compartment, provide practical help with transporting a diverse range of items.





See it, feel it, touch it, hear it: get excitement.

Navigation, telephone, audio, video, internet – the optional control and display system **COMAND Online** ensures that the driver has all these and many other functions in clear view and within easy reach. Information is displayed on a smartly finished and centrally positioned glass screen with a diagonal measurement of 20.3 cm. The **touchpad** enables intuitive operation by means of hand gestures, and users can input letters, special characters and numbers in their own natural handwriting. Three additional buttons control key functions such as the “Back” function, the “Favourites” menu and the audio quick menu. Using the touchpad or buttons gives users clear haptic feedback.



MULTIMEDIA AND INFOTAINMENT

The **Audio 20 CD** multimedia system comes with internet capability, radio, twin tuner and CD drive, and allows networking with mobile devices via Bluetooth®.

User-friendly navigation, precise map data and excellent route guidance – the optional **Garmin® MAP PILOT** brings all the familiar benefits of a Garmin® navigation system to the Audio 20 CD. This is done very simply by inserting an SD card with navigation software and map data sets.

Carefully matched technical components together with the Logic 7® technology from **Harman Kardon®** provide an unmistakably authentic surround sound if so required. Passengers in all seats enjoy a thrilling 360-degree audio experience.

An optional high-end surround sound system with a total output of 1400 watts, developed in conjunction with **Bang & Olufsen®**, 14 high-performance loudspeakers, including two tweeters featuring “Acoustic Lens Technology” with LED illumination in the front mirror triangles, together with individually configurable sound setup, turn the vehicle’s interior into a concert hall with acoustics that just take your breath away.







The standard equipment.

The S in the name comes with a commitment. To an exceptionally high standard of equipment and appointments – right from the start. The highlights of the standard specification are outlined here, while full details may be found in the price list, which can also be downloaded online: www.mercedes-benz.com

EXTERIOR HIGHLIGHTS

Electric sliding sunroof in glass

Beltline and side-skirt trim strips, plus roof rails, in chrome look

Rear bumper with new-look lower section and underguard in chrome look

Twin-pipe exhaust system with two integrated chrome-plated tailpipes (non-functional with diesel engines)

Two-piece LED rear light clusters with new lighting design

INTERIOR HIGHLIGHTS

Media display with 17.8 cm screen diagonal

3-spoke multifunction steering wheel trimmed in nappa leather with steering-wheel gearshift paddles and 12 function buttons

DYNAMIC SELECT Controller

7-seater

Upholstery and upper section of dashboard in ARTICO man-made leather

THERMATIC automatic climate control

High-gloss brown eucalyptus wood trim

The optional equipment.

There are numerous options that allow you to personalise the new GLS further. From small details that just add a certain something, through to luxurious and comfortable appointments. Why not take the time to browse online? You can configure the new GLS to suit your own personal preferences via www.mercedes-benz.com

-
- 1 **Active Parking Assist with PARKTRONIC** makes finding a parking space as well as parking in both parallel and end-on spaces easier; it also assists when leaving a parallel parking space. The system automatically steers the vehicle into parking spaces, relieving the driver of the work of steering and braking.
-
- 2 With its large glazed areas, the **panoramic sliding sunroof** ensures a particularly bright and welcoming ambience in the interior. It consists of a fixed panoramic glass rear section above the second seat row and an electrically-operated sliding glass front section for ventilation of the interior as required.
-





3



4 5



6



3 Films on DVD, music or TV in conjunction with the optional TV receiver – the **Rear Seat Entertainment system** offers passengers in the back their very own entertainment programme. Two 20.3 cm displays and Klear wireless headphones ensure brilliant picture and sound quality.

4 When not in use the **trailer coupling** can be electrically folded away behind the rear bumper to save space. In order to connect a trailer or to mount a cycle rack it can be simply swung out electrically again and automatically fixed in its operating position.

5 A real eye-catching feature are the **illuminated, aluminium-look running boards**. They are mounted on the side at the height of the side skirts, thus making it easier to get into the front and rear. Slip-resistant rubber studs ensure a firm foothold.

6 The **MAGIC VISION CONTROL** adaptive windscreen wiper system provides the driver with an optimum view even while it is wiping. The washer fluid is sprayed directly in front of the wiper blades and wiped away without delay. The heating system effectively lowers the risk of icing-up.

The EXCLUSIVE Interior line.

The select appointments of this line create a trend-setting interior which reinterprets the meaning of luxury to exciting effect. The interior concept features tasteful colour combinations, while large areas of trim, for which a variety of wood finishes can be selected, create further visual highlights. The multi-coloured ambient lighting creates a refined ambience in the vehicle interior.



THE EXCLUSIVE INTERIOR LINE

Luxury seats with exclusive seat upholstery layout finished in leather

Lower part of dashboard and beltlines in ARTICO man-made leather

Ambience lighting

Fabric roof liner

Velour floor mats



The designo Exclusive package.

The designo Exclusive package impresses with exquisite materials and high-quality details. The comfort seats at the front in fine designo nappa leather – optionally in porcelain/black or espresso brown – with “designo” badges in the seat backrest cushions, feature a distinctive seat design with exclusive diamond quilting. Together with the dashboard and door centre panels, also in designo nappa leather, they set fine highlights in the vehicle interior. A colour-coordinated designo roof liner and the twin sunblinds in DINAMICA microfibre as well as the designo floor mats edged in designo leather also contribute to the vehicle’s high-class appeal.



DESIGNO IN ALL ITS GLORY

- Upholstery in designo leather with comfort seats at the front, a distinctive seat design with exclusive diamond quilting, plus “designo” badges fronts and rear
- Dashboard and door centre panels in designo nappa leather
- designo roof liner in DINAMICA microfibre
- designo floor mats with edging in designo leather with “designo” badges





SUV. S-Class. AMG. How much fascination can one car hold?

The optional AMG Line Exterior gives the GLS even more dynamic and muscular flair, a consequence above all of the distinctive AMG bodystyling. The AMG Line Interior, available separately, comprises sporty highlights coordinated to match the exterior with sleek and well honed interior detailing.

PURE AMG

Experience the full fascination of AMG from page 52 onwards.

EXTERIOR HIGHLIGHTS

AMG bodystyling, comprising AMG-specific front and rear aprons, wheel arch extensions in the vehicle colour and side running boards

53.3 cm (21-inch) AMG 5-twin-spoke light-alloy wheels, painted titanium grey and with a high-shine finish

53.3 cm (21-inch) AMG multi-spoke light-alloy wheels, painted titanium grey and with a high-shine finish (optional)

Sports brake system with perforated front brake discs and brake calliper trim with "Mercedes-Benz" lettering

INTERIOR HIGHLIGHTS

Sports seats in black pearl nappa leather/black leather

3-spoke multifunction sports steering wheel finished in black nappa leather

Brushed stainless-steel sports pedals with rubber studs

Instrument cluster featuring distinctive dials in chequered-flag design

AMG floor mats with "AMG" lettering





Dress code: black tie. The Night package.

Building on the AMG Line Exterior, the Night package underscores the sporty, expressive character of the vehicle with striking design elements in black. The louvre in the radiator grille and the simulated underguard at the front and rear are finished in high-gloss black. Further highlights are the AMG 5-twin-spoke light-alloy wheels and the black exterior mirrors as well as the dark-tinted heat-insulating glass from the rear door windows back. The roof rails, window weatherstrip and also the beltline trim strip in black round off the Night package.

NIGHT PACKAGE AT A GLANCE

Heat-insulating dark-tinted glass starting from the B-pillar (can be deselected in certain countries, U50)

Louvre in the radiator grille in high-gloss black

Roof rails in black

Beltline trim strip in black

53.3 cm (21-inch) AMG 5-twin-spoke light-alloy wheels painted black and with a high-shine finish (89R)

Simulated underguard at the front and rear in high-gloss black

Exterior mirrors in high-gloss black

Weatherstrip in black

Genuine Accessories.

Use our extensive range of Genuine Accessories to individualise the new GLS. These cover almost every conceivable need for even more pleasant, practical and enjoyable motoring. Allow yourself to be inspired by the full range, available at: www.mercedes-benz-accessories.com



GENUINE ACCESSORIES – HIGHLIGHTS AT A GLANCE

The lockable **rear-mounted cycle rack**, so easy to fit and use, is ideal for the safe transport of two or three bicycles. Extremely simple to fit on the trailer coupling and just as easy to secure your bikes to the mounts. Thanks to an ingenious roller mechanism the tailgate can still be opened. For storage purposes, the rack can be very simply folded away.

Ample storage for all those big plans. The aerodynamically designed Mercedes-Benz **Roof box XL** in metallic black or matt silver, which can be opened from either side, has been especially configured for the GLS and combines innovative technology with safety. Whether you're off on skiing break or a family holiday, its 450 l of load capacity and 75 kg payload are an effective solution to any transport problem.

The overall impression of sporty self-assurance is underlined by the **10-spoke light-alloy wheels**, painted black and with a high-sheen finish, fitted with 275/50 R 20 tyres.





50

52R



06R



R39



58R



R41



R55



R33



50R

Wheels.

Tyres are indispensable. In emotional as well as simply physical terms. The choice of wheel is an absolutely crucial factor in many people's dream car. So we have put together a particularly broad selection for you.

STANDARD EQUIPMENT AND OPTIONAL EXTRAS

52R 7-spoke light-alloy wheels with 265/60 R 18 tyres (option for GLS 350 d 4MATIC and GLS 400 4MATIC; not available in conjunction with the ACTIVE CURVE SYSTEM or AMG Line Exterior)

R41 10-spoke light-alloy wheels with 265/60 R 18 tyres (option for GLS 350 d 4MATIC and GLS 400 4MATIC; not available in conjunction with the ACTIVE CURVE SYSTEM or AMG Line Exterior)

06R 7-spoke light-alloy wheel with a high-sheen finish, with 275/55 R 19 tyres (option; not in conjunction with AMG Line Exterior; not for Mercedes-AMG model)

R55 5-twin-spoke light-alloy wheels with 275/55 R 19 tyres (option; not in conjunction with AMG Line Exterior; not for Mercedes-AMG model)

R39 5-spoke light-alloy wheels with 275/55 R 19 tyres (standard for GLS 500 4MATIC; option for GLS 350 d 4MATIC and GLS 400 4MATIC; not in conjunction with AMG Line Exterior; not for Mercedes-AMG model)

R33 5-twin-spoke light-alloy wheels with 275/50 R 20 tyres (option; not in conjunction with AMG Line Exterior; not for Mercedes-AMG model)

58R 10-spoke alloy wheels with 275/50 R 20 tyres (option; not in conjunction with AMG Line Exterior; not for Mercedes-AMG model)

50R 10-spoke light-alloy wheels painted Himalayas grey and with a high-sheen finish, with 275/50 R 20 tyres (option; not in conjunction with AMG Line Exterior; not for Mercedes-AMG model)



86R



89R



692



87R



689



90R

AMG

86R AMG 5-twin-spoke light-alloy wheels, painted black and with a high-shine finish, with 295/40 R 21 tyres (only in conjunction with AMG Line Exterior; not for Mercedes-AMG model)

87R AMG multi-spoke light-alloy wheels, painted titanium grey and with a high-shine finish, with 295/40 R 21 tyres, (option; only in conjunction with AMG Line Exterior; not for Mercedes-AMG model)

89R 5-twin-spoke light-alloy wheels, painted black and with a high-shine finish, with 295/40 R 21 tyres (option; only in conjunction with AMG Line Exterior and Night package; not for Mercedes-AMG model)

689 AMG cross-spoke light-alloy wheels, painted titanium grey and with a high-shine finish, with 295/40 R 21 tyres (standard for Mercedes-AMG GLS 63 4MATIC)

692 AMG cross-spoke light-alloy wheels, painted matt black and with a high-shine rim flange, with 295/40 R 21 tyres (option for Mercedes-AMG GLS 63 4MATIC; standard for Mercedes-AMG GLS 63 4MATIC in conjunction with Night package)

90R AMG multi-spoke light-alloy wheels, painted matt black and with a high-shine rim flange, with 285/40 R 22 tyres (option for Mercedes-AMG GLS 63 4MATIC)

↘ FURTHER WHEELS

can be found in our accessories range. Information on the range of Mercedes-Benz Genuine Accessories is available at www.mercedes-benz-accessories.com or from your authorised Mercedes-Benz dealer.

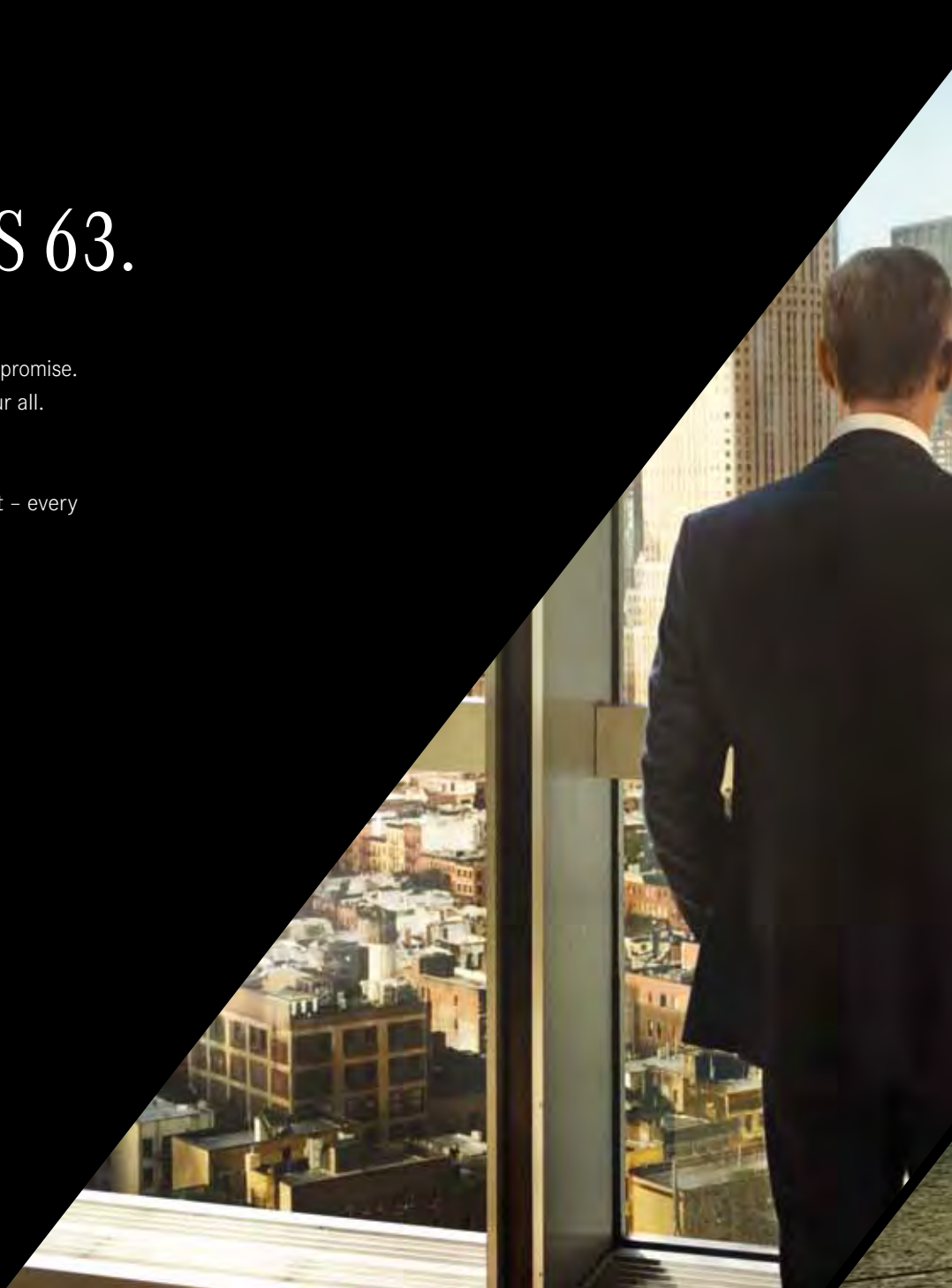
Drive Supreme: the new Mercedes-AMG GLS 63.

Mercedes-AMG is not just a manufacturer of performance vehicles and sports cars, AMG is a promise. The promise that we will always go that one step further. That we expect a lot and give our all. Which is how we create exceptional automobiles for exceptional people.

The new Mercedes-AMG GLS 63, too, embodies our commitment to achieving the utmost – every moment, every metre.

Welcome to the world of AMG.


DRIVING PERFORMANCE





High-performance SUV.

Powerfully distinctive design, impressive dimensions – the Mercedes-AMG GLS 63 follows only one style: its own. Front apron in A-wing design with large cooling air inlets. Flics for improved aerodynamics. Radiator grille with black-painted louvres and AMG logo in silver chrome. Complemented by wheel arches extended by 44 mm for an even broader stance. Styling elements that underline the GLS's positioning within the high-performance SUV range of AMG – and that make it the S-Class among the SUVs. And a look that is just made for people who make an impact by their sheer presence.





DESIGN



First place, seven times over.

Once you're inside the car, your original destination becomes irrelevant. The 3-spoke AMG Performance steering wheel in leather with aluminium gearshift paddles is soothing to the touch, the spacious interior to all the senses. The Mercedes-AMG GLS 63 does not only impress by sheer force of size; it is also one of the safest and most comfortable performance vehicles around. And, thanks to seven full-size seats, for several people all at once. The most popular of its seven seats is always the same one: the perfectly moulded nappa leather sports seat behind the steering wheel.

POWER





Mobile reward centre.

Making every day special: one of the most powerful standard-production SUV models from AMG. The peak performance of the AMG 5.5-litre V8 biturbo is impressive, at 430 kW (585 hp) and 760 Nm. DYNAMIC SELECT allows the driving characteristics to be set to any one of five stages, ranging from efficiently comfortable to sporty. And whichever mode you're in, putting your foot down on the accelerator will take you to 100 km/h in 4.6 seconds. At the same time the AMG SPEEDSHIFT PLUS 7G-TRONIC transmission keeps shift times short and traction continuous, as the everyday routine recedes rapidly in your rearview mirror.





Eyes forward.

Keeping a step ahead, even of the darkness. The Intelligent Light System automatically adjusts the LED headlamps in such a way that the route ahead is always optimally illuminated – whatever the weather and driving conditions and even in bends or when turning off. Because those who prefer to go their own way still need to know, even when the light is bad, where the journey's taking them.



Making the best of every road. Even when there isn't one.

On the motorway, in fast bends or off road – the AMG Performance 4MATIC systems makes the most of any terrain. Permanent all-wheel drive distributes the power between the front and rear axles on a 40 : 60 basis, while the ACTIVE CURVE SYSTEM uses active suspension stabilisers to reduce roll. All of which adds up to guarantee assured and predictable driving characteristics with added traction, directional stability and increased agility around the vehicle's vertical axis. But what you make of all that is, of course, completely up to you.







Passion grows when it is shared: the AMG Private Lounge is our community centred on the world of AMG. AMG customers can come here for a chance to attend top events and use our online platform to chat about the latest developments from Affalterbach. Doing so allows them to benefit from special offers and from the direct link to AMG's headquarters: www.mercedes-amg.com/privatelounge/welcome

The AMG Driving Academy stands for an incomparable team spirit: experience performance with like-minded drivers and improve your driving skills at racetrack and lifestyle events held at breathtaking locations around the world. Become a part of the "World's Fastest Family": www.mercedes-amg.com/driving-academy

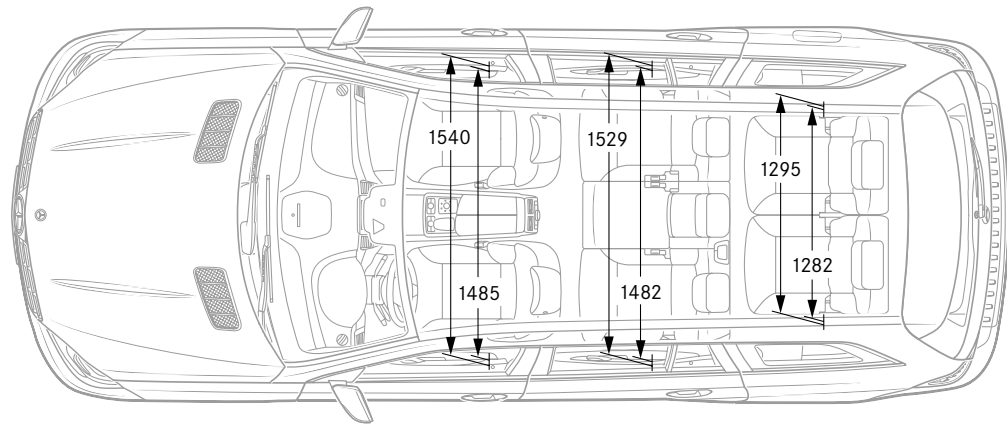
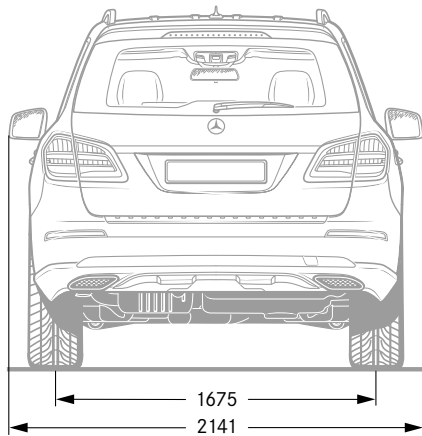
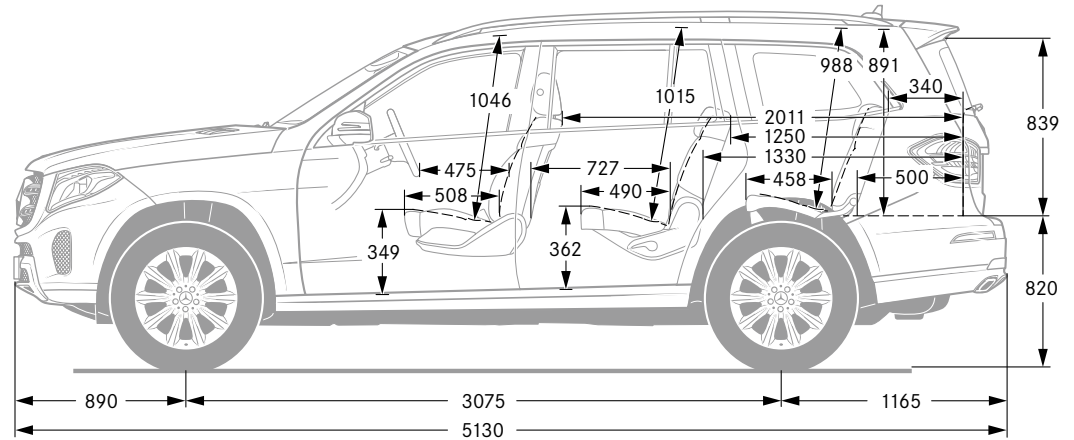
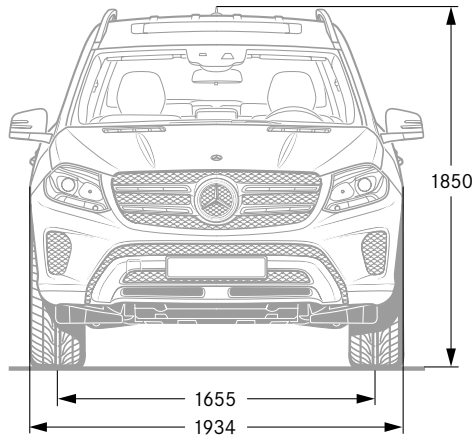
Still want more? The AMG Customer Sports Program is AMG's platform for professional motorsport – and the Mercedes-AMG GT3 the racing car that has been specifically designed for this purpose. A fully integrated service environment allows you to participate in motorsport at the highest level: www.mercedes-amg.com/customersports

In the AMG Performance Studio we create cars that are perfectly tailored to your wishes and desires. No limits are placed on the creativity of our experts, who demonstrate their unparalleled craftsmanship and attention to detail in areas as varied as special technical components, extravagant paintwork finishes and the most exclusive interior appointments imaginable, to produce one-off masterpieces.

Enter the world of AMG. Experience true driving performance.

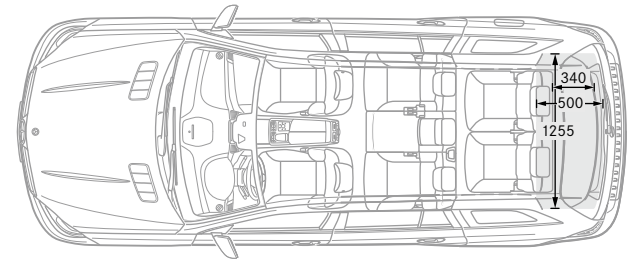
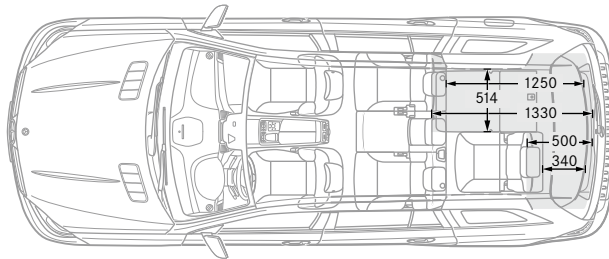
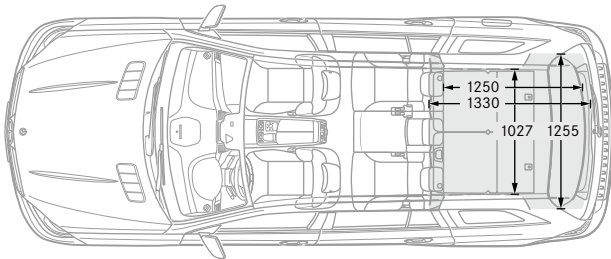
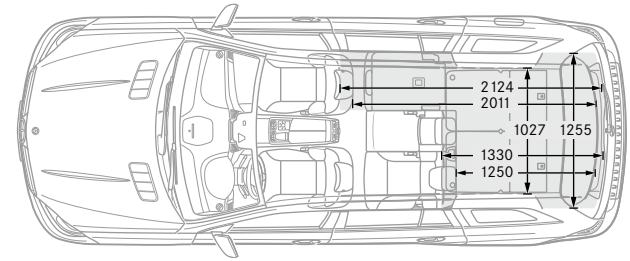
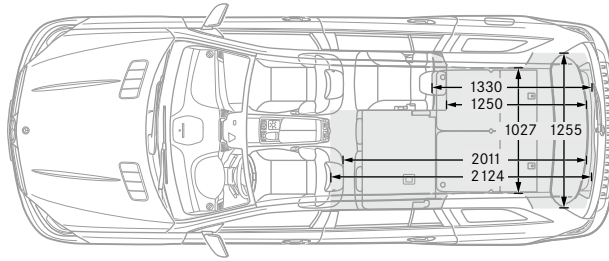
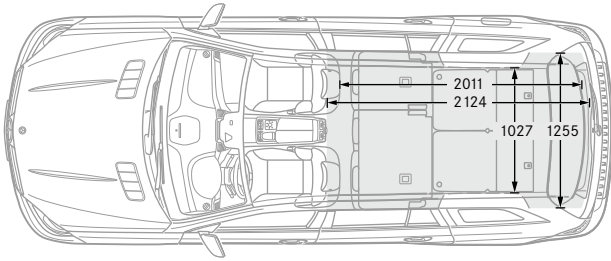
We don't just build cars.
We make dreams come true.

Dimensions.



All dimensions in millimetres. The dimensions shown are mean values and apply to standard-specification, unladen vehicles.

Load compartment dimensions.



All dimensions in millimetres. The dimensions shown are mean values and apply to standard-specification, unladen vehicles.

Technical data.

	DIESEL ENGINE		PETROL ENGINES		
	GLS 350 d 4MATIC		GLS 400 4MATIC	GLS 500 4MATIC	Mercedes-AMG GLS 63 4MATIC
No. of cylinders/arrangement	6/V		6/V	8/V	8/V
Total displacement in cc	2987		2996	4663	5461
Rated output ¹ in kW (hp) at rpm	190 (258)/3400		245 (333)/5250-6000	335 (455)/5250-5500	430 (585)/5500
Rated torque ¹ in Nm at rpm	620/1600-2400		480/1600-4000	700/1800-4000	760/1750-5250
Transmission	9G-TRONIC		9G-TRONIC	9G-TRONIC	AMG SPEEDSHIFT PLUS 7G-TRONIC
Acceleration from 0 to 100 km/h in s	7.8		6.6	5.3	4.6
Top speed, approx. in km/h	222		240	250 ²	250 ²
Tyre size – front axle, rear axle	265/60 R 18, 265/60 R 18		265/60 R 18, 265/60 R 18	275/55 R 19, 275/55 R 19	295/40 ZR 21, 295/40 ZR 21
Fuel	Diesel		Premium petrol	Premium petrol	Super Plus petrol
Fuel consumption ³ in l/100 km					
Urban	8.2-7.6		11.7-11.1	14.9-14.6	15.8-15.8
Extra-urban	7.2-6.7		8.0-7.5	9.2-8.8	10.3-10.3
Combined	7.6-7.1		9.4-8.9	11.3-10.9	12.3-12.3
CO ₂ emissions ³ in g/km, combined	199-185		218-206	264-255	288-288
Emission class ⁴ /efficiency class ⁵	Euro 6/A		Euro 6/B	Euro 6/E	Euro 6/E
Tank capacity, of which reserve, approx. in l	100/12.0		100/12.0	100/12.0	100/14.0
Load compartment ⁶ in l	680-2300		680-2300	680-2300	680-2300
Turning circle diameter in m	12.40		12.40	12.40	12.40
Kerb weight ⁷ in kg	2455		2435	2445	2580
Perm. GVW in kg	3250		3250	3250	3290
Length ⁸ /width incl. mirrors ⁸ in mm	5130/2141		5130/2141	5130/2141	5162/2141
Wheelbase ⁸ in mm	3075		3075	3075	3075
Track width front ⁸ /rear ⁸ in mm	1655/1675		N/A	1645/1665	1676/1696

The best for your engine:
Mercedes-Benz genuine engine oils.

¹ Details of rated power and rated torque in accordance with Directive (EC) no. 595/2009 in the currently applicable version. ² Electronically limited. ³ The fuel consumption and CO₂ emission figures shown were obtained in accordance with the prescribed measuring process (§2 Nos. 5, 6, 6a Pkw-EnVKV as amended). The figures are not based on an individual vehicle and do not constitute part of the product offer; they are provided solely for purposes of comparison between different vehicle models. ⁴ Data applicable within the European Union only. Country-specific variations possible. ⁵ Calculated on the basis of CO₂ emissions as measured, taking the mass of the vehicle into account. ⁶ Details in accordance with Directive 2007/46/EC in the currently applicable version. ⁷ Details in accordance with Directive 92/21/EC in the currently applicable version (mass in ready-to-drive condition, fuel tank 90% filled, with driver, 68 kg, and luggage, 7 kg) for vehicles with standard equipment. Optional extras and accessories generally increase this figure, with a corresponding reduction in payload. ⁸ The dimensions shown are median values and apply to vehicles in basic specification and unladen. Further technical data are available online: www.mercedes-benz.com

Upholstery and trim.

Upholstery

- 111 black¹
- 114 espresso brown¹
- 115 ginger beige/espresso brown¹
- 125 ginger beige/black¹
- 211 black^{2, 3, 4}
- 215 ginger beige/espresso brown^{2, 3, 4}
- 224 saddle brown/black^{2, 3, 4}
- 228 crystal grey/black^{2, 3, 4}
- 245 ginger beige/black^{2, 3, 4}
- 531 black⁵
- 534 espresso brown/black⁵
- 535 porcelain/black⁵
- 811 black pearl/black⁶
- 831 black⁷
- 834 espresso brown/black⁷
- 835 porcelain/black⁷
- 954 espresso brown²
- 955 porcelain/black²

Trim

- 739 aluminium with light longitudinal grain^{2, 7}
 - 734 high-gloss brown eucalyptus wood¹
 - 731 high-gloss brown burr walnut wood²
 - H09 brown open-pore ash wood⁴
 - 729 high-gloss black poplar wood²
 - H21 black piano lacquer²
 - H10 AMG carbon fibre/black piano lacquer²
-

ARTICO man-made leather



111



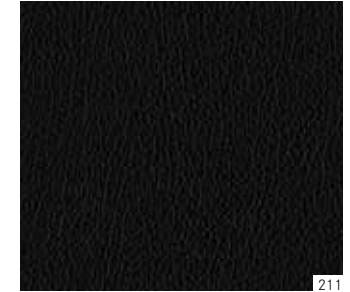
114



115

125

Leather

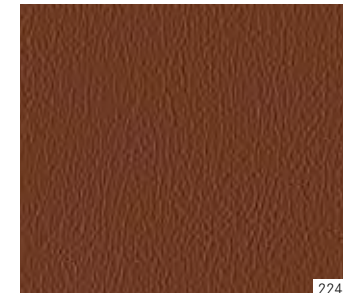


211



215

245



224

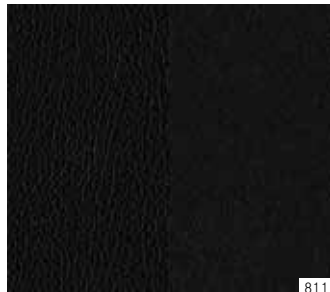


228

¹ Standard for GLS 350 d 4MATIC and GLS 400 4MATIC. ² Optional extra. ³ Standard in conjunction with EXCLUSIVE interior. ⁴ Standard for GLS 500 4MATIC. ⁵ Optional extra for Mercedes-AMG GLS 63 4MATIC.

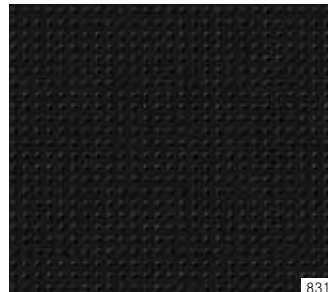
⁶ Only in conjunction with AMG Line Interior. ⁷ Standard for Mercedes-AMG GLS 63 4MATIC.

Nappa leather/leather



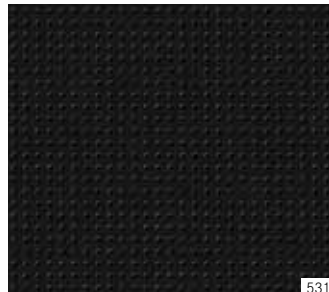
811

AMG nappa leather



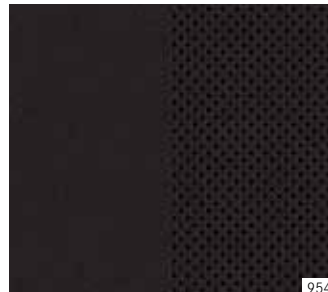
831

AMG Exclusive nappa leather



531

designo Exclusive nappa leather



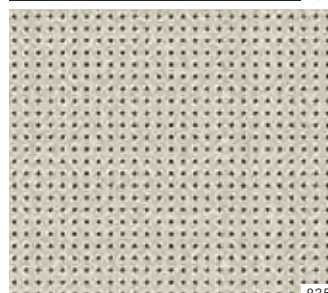
954



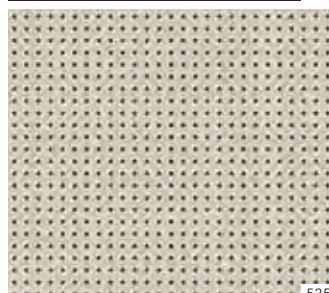
834



534



835



535



955

Trim



739



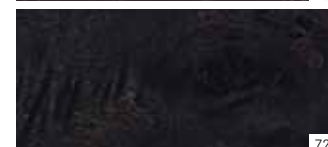
734



731



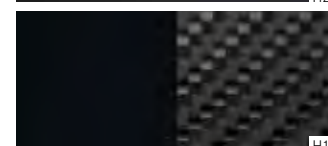
H09



729



H21



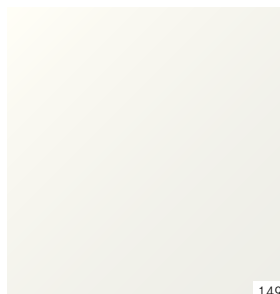
H10

Paintwork.

Non-metallic paints



040



149

Non-metallic paints

040 black

149 polar white

Metallic paints¹

197 obsidian black

755 tenorite grey

775 iridium silver

792 palladium silver

796 citrine brown

890 cavansite blue

988 diamond silver

designo paints¹

799 designo diamond white bright

996 designo hyacinth red metallic

Metallic paints¹



197



755



775



792



796



890



988

designo paints¹



799



996

¹ Optional extra.



Mercedes-Benz is one of the founding partners of the “Laureus Sport for Good Foundation”.

Since the foundation was established in 2000, Mercedes-Benz has been supporting and promoting the aims and values of this worldwide non-profit-making programme: to use social sports projects to improve the lives of children and young people who are disadvantaged or suffering from illness. Laureus has become a fundamental element of Mercedes-Benz’s social responsibility. Every new Mercedes is an ambassador embodying these values. In buying a Mercedes you are supporting the “Laureus Sport for Good Foundation”.

Please note: changes may have been made to the product since going to press (08.10.2015). The manufacturer reserves the right to make changes to the design, form, colour or specification during the delivery period, provided these changes, while taking into account the interests of the vendor, can be deemed reasonable with respect to the purchaser. Where the vendor or the manufacturer uses symbols or numbers to describe an order or the subject of an order, no rights may be derived solely from these. The illustrations may include accessories and optional extras which do not form part of the standard specification. Colours may differ slightly from those shown, owing to the limitations of the printing process. This brochure is distributed internationally. Information given regarding statutory regulations, legal requirements and taxation and the consequences thereof applies to the Federal Republic of Germany only and is correct at the time of going to press. For current and more specific information in relation to the range of models, features, optional extras, colours and/or services available in your country, and their pricing, you should contact your nearest authorised Mercedes-Benz Passenger Car Dealer.

www.mercedes-benz.com

Take-back of end-of-life vehicles. At the end of its long life, you can return your GLS to us for environment-friendly disposal in accordance with the European Union (EU) End-Of-Life Vehicle Directive. But that day lies a long way off.

A network of vehicle take-back depots and dismantlers is available to make returning your vehicle as easy as possible for you. You are welcome to return your vehicle to one of these establishments free of charge. In so doing, you will be making a valuable contribution towards closing the recycling loop and preserving resources.

For further information about the recycling and disposal of end-of-life vehicles and take-back conditions, please visit your national Mercedes-Benz website.