

# The E-Class

All-Terrain



Mercedes-Benz





This Brochure is prepared by Mercedes-Benz Australia/Pacific Pty Ltd and is correct at the time of printing, April 2017. It predominantly reflects the capabilities and performance of vehicles sold in Europe, some characteristics, capabilities performance features and optional extras (e.g. towing systems) may not be available or may not apply in Australia or under Australian conditions. The information in this brochure is therefore indicative, illustrative and provided only for guidance and should not be relied on. To obtain current and accurate information on a vehicle and any options applicable to Australia, contact your local authorized Mercedes-Benz dealer.



E-Class



## As versatile as no E-Class before.

“No E-Class has ever been as versatile as the All-Terrain. The new model combines a striking look in SUV style with the intelligent space concept of the estate. This is coupled with lots of innovative safety features and the multi-award-winning E-Class interior”, says Ola Källenius, Member of the Daimler management board responsible for Group Research & Mercedes-Benz Cars Development.

“With 4MATIC all-wheel drive as a standard feature and increased ground clearance thanks to the AIR BODY CONTROL multi-chamber air suspension the All-Terrain is a flexible all-rounder – for unpaved roads, family and leisure time.”

The E 220 d All-Terrain 4MATIC (143 kW/194hp) is equipped with the newly developed four-cylinder diesel engine. The E 220 d comes with the new 9G-TRONIC nine-speed automatic transmission as standard.

# Greater ground clearance and 4MATIC.

From unpaved tracks to winding roads – the new E-Class All-Terrain takes routes where conventional estates often have to give up effortlessly in its stride thanks to greater ground clearance with large wheels and 4MATIC all-wheel drive as a standard feature.

And it also cuts a fine figure thanks to its striking look with powerful flared wheel arches and SUV-style radiator grille. Thanks to styling elements with an off-road look the All-Terrain has a powerful and robust appearance.







Overseas model shown





## Special features of the interior.

The special features of the interior include stainless steel sports pedals with rubber studs and floor mats with All-Terrain lettering. The equipment of the All-Terrain is based on the AVANTGARDE interior line.

Intelligently usable like never before: measuring up to 1820 litres, the large load compartment of the new E-Class All-Terrain boasts a new rear seat backrest folding feature. The backrest can be divided with a ratio of 40 : 20 : 40 and can be electrically released via a switch on the side wall of the load compartment and folded down automatically.

# AIR BODY CONTROL and DYNAMIC SELECT.

As a standard feature the All-Terrain has DYNAMIC SELECT with five different driving programmes. A model-specific feature is the All-Terrain driving programme, which offers settings for off-road driving and was derived from the GLE. Selecting the All-Terrain driving programme raises the chassis with the AIR BODY CONTROL by 20 millimetres up to a maximum speed of 35 km/h.

The All-Terrain driving programme has a special indicator in the vehicle display. Information displayed there includes the steering angle, the vehicle level, the angle of slope and the angle of inclination, the accelerator/brake position and a compass. Thanks to air suspension three levels from 0 to +35 millimetres are possible, the highest level can also be selected manually.

The E-Class All-Terrain is 29 millimetres higher than the E-Class Estate – 14 millimetres are ascribed to the tyres with a larger height/width ratio and 15 millimetres to the normal driving level of the air suspension. The ground clearance is 121 to 156 millimetres.







E-Class



## Distinctive front and robust appearance.

Two exclusive light-alloy wheel sets with higher sidewalls give the vehicle a confident look, more ground clearance and enhanced comfort on rough roads. The All-Terrain also features a model-specific three-part bumper at the rear with the top part painted in the body colour and the lower part in grained black plastic. Further features typical of an SUV include robust outer load sill protection and a visual underride electroplated guard.

The most eye-catching feature of the striking front is the SUV-style two-fin grille with a Mercedes-Benz star integrated in the centre. The distinctive front bumper and the panelling in underride guard-look also contribute to the robust appearance. The top part of the three-part front bumper is painted in the body colour and the lower part comes in grained black plastic.

# It's where safety is concerned that its true greatness is revealed.

Behind its imposing looks are innovations which show the greatness of the new E-Class All-Terrain in all its glory. If an unavoidable side impact is detected the PRE-SAFE® impulse side can move the driver or front passenger towards the centre of the car and thus increase the distance to the door.

The new PRE-SAFE® Sound also resonates of unique occupant protection. If the vehicle sensors detect an imminent dangerous situation, a sound signal from the audio system can trigger a natural protective reflex in the ear. The accident noise is thus reduced when it arrives in the inner ear.



S MB 1190

# Intelligence transforms power into propulsion.

The new E-Class All-Terrain is driven by a new intelligent engine. The 4-cylinder diesel engine in the E 220 d with 143 kW (194 hp) and a maximum torque of 400 Nm gives you a new experience of efficiency. In combination with the automatic 9G-TRONIC transmission every journey is raised to a new level.

It is one of the world's first 9-speed automatic transmission in the premium segment which can be used with longitudinally mounted engines. Fast gear changes result in an even more immediate response and even more agility – with smooth, barely perceptible gear shifting.





# Upholstery and trim.

## Upholstery

---

201 Leather in black

---

214 Leather in nut brown / black

---

215 Leather in macchiato beige / black

---

## Trim

---

736 Black open-pore ash wood

---



# Paintwork.

## Non-Metallic Paints

---

040 black

---

149 polar white

---

## Metallic Paints

---

197 obsidian black

---

775 iridium silver

---

796 citrine brown

---

890 cavansite blue

---

988 diamond silver

---

992 selenite grey

---

997 callais green

---

## designo Paints

---

799 designo diamond white bright

---

996 designo hyacinth red metallic

---



# Technical Data.

Cylinder arrangement/number	L4
Displacement (cc)	1950
Rated output (kW [hp] at rpm)	143 (194) @ 3,800
Rated torque (Nm at rpm)	400 @ 1,600 – 2,800
Acceleration 0-100 km/h (s)	8.0
Top speed (km/h)	210
Drive system	4MATIC all-wheel drive
Transmissions	9G-TRONIC PLUS
Tank capacity incl. reserve	66/7
Fuel consumption combined (l/100km) *	5.7
CO2 emissions combined (g/km) *	147
Cd value	0,33

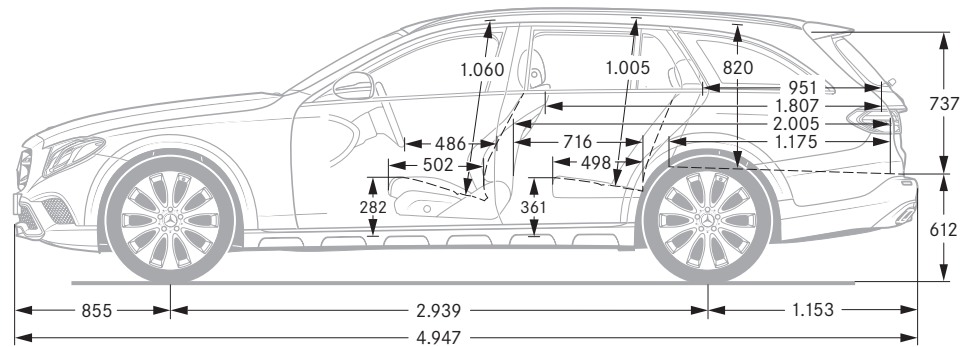
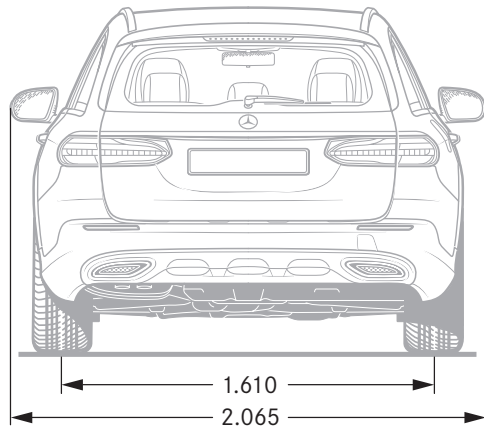
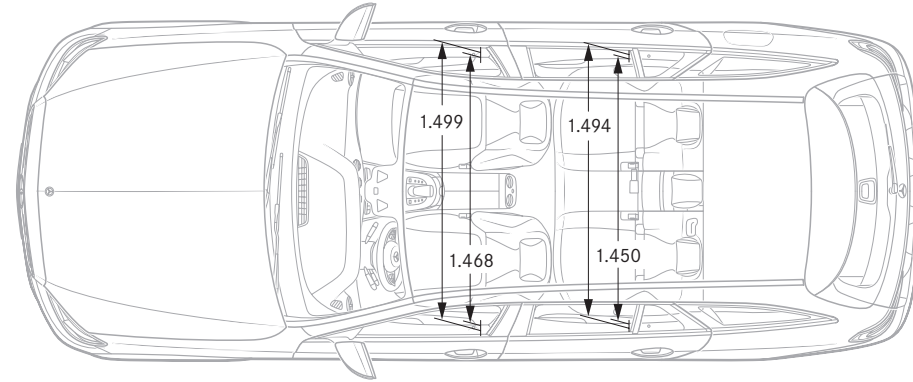
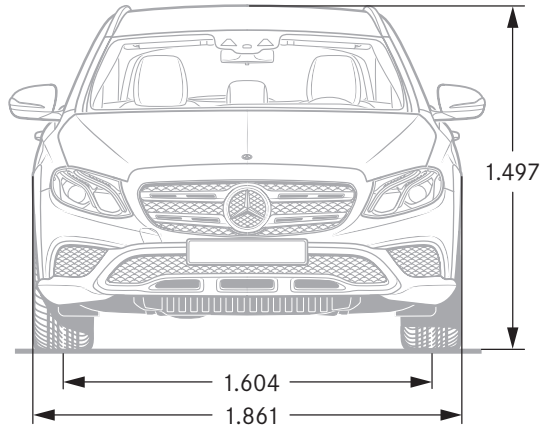
\* The declared fuel and energy consumption figures are determined by testing under standardised laboratory conditions to comply with ADR 81/02. Real world consumption is influenced by many additional factors such as fuel quality, individual driving style, load, traffic and vehicle condition. The declared consumption figure should only be used for the purpose of comparison amongst vehicles.

# Technical Data.

Front tyres/wheels	245/40 R20 ^
Rear tyres/wheels	275/35 R20 ^
Front brakes	Discs, internally ventilated
Rear brakes	Discs, internally ventilated
Kerb weight/payload capacity (kg)	1920/670
Boot capacity (VDA)	640-1820
Turning circle (m)	11.9
Perm. GVM (kg)	2590
Maximum roof load (kg)	100
Permitted towing capacity unbraked/braked (kg)	TBA

^ The 20-inch tyres/wheels fitted on the standard specification vehicle are not compatible with snow chains due to their size and suspension setup. If you require snow chains, please discuss with your preferred authorised Mercedes-Benz dealer and consider ordering smaller 19-inch no-cost-option alloy wheels for the vehicle.

# Dimensions.





The manufacturer reserves the right to make changes to the design, form, colour or specification during the delivery period, provided these changes, while taking into account the interests of the vendor, can be deemed reasonable with respect to the purchaser. Where the vendor or the manufacturer uses symbols or numbers to describe an order or the subject of an order, no rights may be derived solely from these. The illustrations may show accessories and items of optional equipment which are not part of standard specification. Colours may differ slightly from those shown in the brochure, owing to the limitations of the printing process. This brochure is distributed internationally. It provides a general indication of the range of models, features, optional extras, colours and/or services available in various countries. Some of the models, features, optional extras, colours and/or services shown may not be available in your country or may only be available in a different specification. For current and more specific information in relation to the range of models, features, optional extras, colours and/or services available in your country, and their pricing, you should contact your nearest authorised Mercedes-Benz Passenger Car Dealer.

[www.mercedes-benz.com.au](http://www.mercedes-benz.com.au)