

The GLA

Sport Utility Vehicle



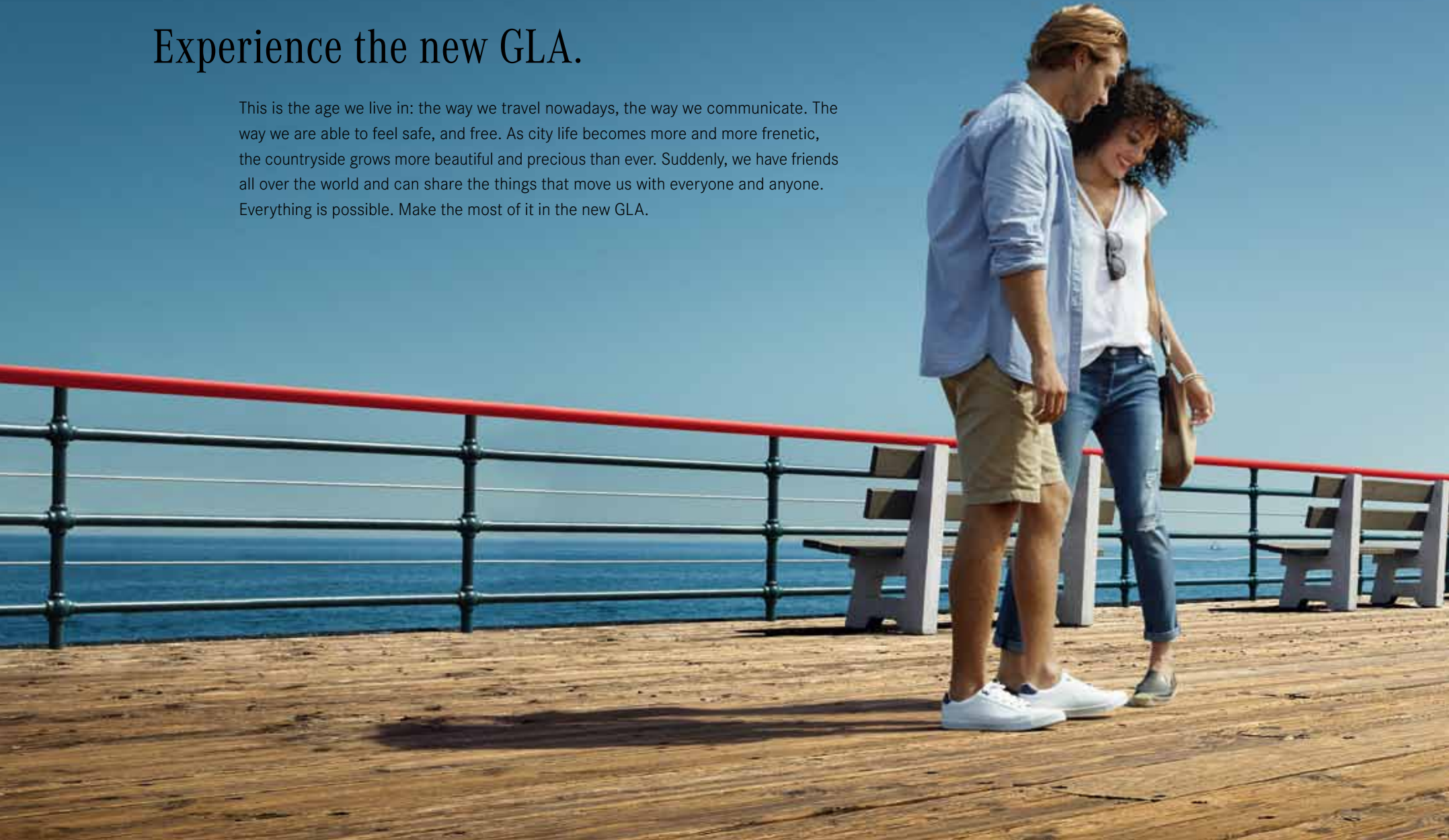
Mercedes-Benz



This Brochure is prepared by Daimler AG and it predominantly reflects the capabilities and performance of vehicles sold in Europe. Some characteristics, capabilities performance features and optional extras (e.g. towing systems) may not be available or may not apply in Australia or under Australian conditions. The information in this brochure is therefore indicative, illustrative and provided only for guidance and should not be relied on. To obtain current and accurate information on a vehicle and any options applicable to Australia, contact your local authorized Mercedes-Benz dealer.

Experience the new GLA.

This is the age we live in: the way we travel nowadays, the way we communicate. The way we are able to feel safe, and free. As city life becomes more and more frenetic, the countryside grows more beautiful and precious than ever. Suddenly, we have friends all over the world and can share the things that move us with everyone and anyone. Everything is possible. Make the most of it in the new GLA.



The vehicles shown.

02 | Mercedes-Benz GLA 220 4MATIC mountain grey metallic

Urban design and equipment line, 5-spoke light-alloy wheels, Comfort Exclusive package, black leather upholstery in buffalo leather look, aluminium trim with trapezium grain

14 | Mercedes-Benz GLA 220 d 4MATIC canyon beige metallic

Style design and equipment line, 5-spoke light-alloy wheels, Night package, ARTICO man-made leather/Macápá fabric in ochre yellow/black, black matrix-look trim element

58 | Mercedes-AMG GLA 45 4MATIC designo mountain grey magno

AMG multi-spoke light-alloy wheels, AMG Night package, AMG Exclusive package, black RED CUT leather upholstery, AMG Design trim element in black/red

The highlights of the new GLA.

- 24 | Mercedes me
- 28 | Services
- 32 | Smartphone Integration
- 33 | Mercedes me connect
- 34 | Multimedia systems and navigation
- 35 | Harman Kardon® Logic 7® surround sound system
- 36 | DYNAMIC SELECT drive programs
- 37 | Engines and all-wheel drive system 4MATIC
- 38 | Active Brake Assist
- 39 | Integral safety concept
- 40 | LED High Performance headlamps
- 41 | Parking package with 360-degree camera
- 42 | Equipment and packages
- 56 | Wheels
- 58 | Mercedes-AMG
- 72 | Technical data and dimensions
- 75 | Upholstery, trim and paintwork

THE NEW GLA AS A MULTIMEDIA EXPERIENCE



Discover the new GLA in fascinating HD. With the Mercedes-Benz brochure app for the iPad® and with the Digital Owner's Manual from "Mercedes-Benz Guides" for the iPhone®. Both apps feature a host of films and additional content and are available free of charge from the Apple iTunes Store®.

The illustrations may show accessories and optional extras which are not part of the standard specification.

Set off on your GLA adventure.





Catches the eye.
And holds it.



Follow new roads, off the beaten track, out into unknown terrain. When it comes to curiosity and the spirit of adventure, the new GLA is a genuine off-roader. On the other hand: its dynamic lines convey pure forward momentum, almost like a sports coupé. See and be amazed: the new GLA is a crossover in its purest form – it doesn't fit into any particular category, but fits perfectly into your life.



Space for loads.

Whether it's a shopping spree or the voyage of a lifetime – the new GLA has everything on board that you need for your next expedition. As just one option, you can open the load compartment at the touch of a button or with a kicking movement, making loading up child's play.



Discover even more.





Letting go. But staying connected.

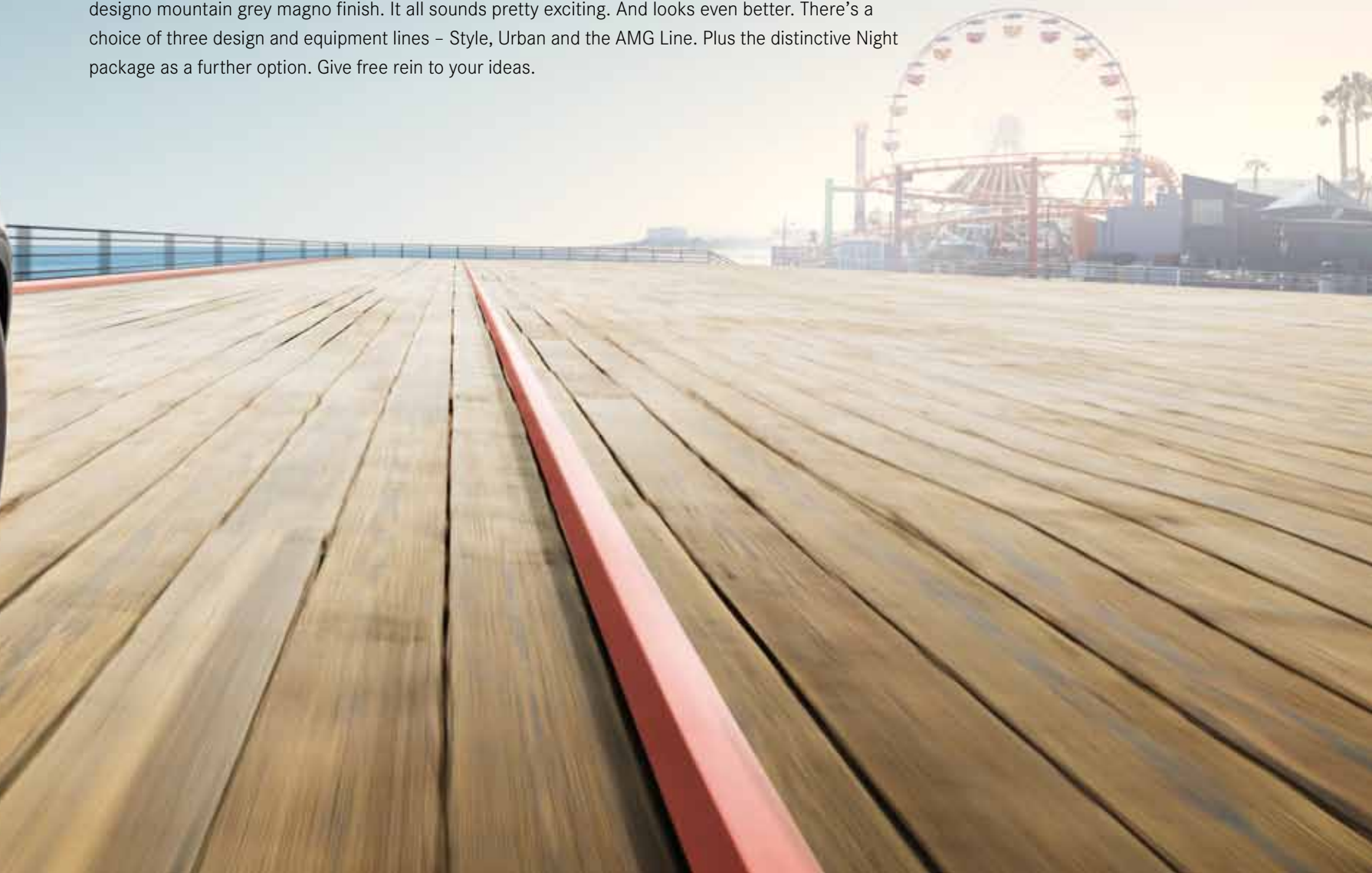
Climb into the new GLA and just head off: to where it's quiet. To where you can hear the murmur of the sea and the call of the mountain. Avoid the traffic jams, courtesy of the optional real-time navigation system, and let the sophisticated driving assistance systems take the strain out of driving. Revel in the solitude, yet share it with everyone – yes, even this is possible: state-of-the-art connectivity services, together with many purpose-designed apps, can connect you as you wish with your whole world.





Eyes to the front. Mood on the up.

A simulated underguard in bucket-tooth design. Powerdomes on the bonnet. Paintwork in the optional designo mountain grey magno finish. It all sounds pretty exciting. And looks even better. There's a choice of three design and equipment lines – Style, Urban and the AMG Line. Plus the distinctive Night package as a further option. Give free rein to your ideas.



When one adventure ends, the new GLA
is sure to have the next one in store.





Feel the dynamism. Get the goose bumps.

You love the city, but only really come to life when you're away from it? You have a lot in common with the new GLA. As if freshly liberated, it chases round the bends, sends the dust swirling and is always poised for that long journey. There are so many facets to it, but best of all is that you can add further edge to any of them at the touch of a button. DYNAMIC SELECT means: four drive programmes for a markedly sporty or comfortable driving experience. In conjunction with the all-wheel drive system 4MATIC, there's even an extra off-road configuration.





Sets the rhythm.



And turns the road into a dance floor.



Off-piste and away.

Head for new places: a remote village in the mountains, a deserted bay or the heart of the city. The 4MATIC all-wheel drive system is ready for any adventure – and available with many of our engines. It makes driving tangibly safer and more dynamic – and not just on unsurfaced roads.







Is there anything more precious than freedom?



For all those who like to head off into the distance from time to time: welcome to the new GLA with the Style design and equipment line. The distinctive design of the comfort seats in ARTICO man-made leather/Macápá fabric adds a sense of adventure to the interior. A choice of colours, such as ochre yellow/black, allows you to add your own personal flair. Step aboard and don't leave unless you have to.



This far. And a lot further.





Our world in your hands.

www.mercedes.me – it's all about you. Discover a world of fascinating services, products and innovations which will enrich your life and take the strain out of everyday mobility. Coming straight to you in digital form. And turning our world into your world.





Life can be so fascinating when you're fully connected.

All our connectivity and mobility services plus a host of other fascinating features – all in one place and exclusively for you. That's Mercedes me. Register free of charge today and make the world of Mercedes-Benz your very own at your convenience – on your PC or laptop or in mobile mode via tablet, smartphone or smartwatch. And because your life is forever changing, our services are also continually evolving. Join us now at www.mercedes.me/welcome

Looking for individual inspiration in real life, too? The Mercedes me Stores are a fascinating phenomenon worldwide – in Beijing, Moscow and Hamburg, for example.



Mercedes me connect networks you with your vehicle – and your vehicle with the whole world. A comprehensive range of convenient connectivity services relating to all areas of your vehicle supports you, ensuring greater safety, closer contact and an even more fascinating driving experience. It's reassuring to stay connected all the time while you're on the move. Mercedes me connect includes Standard Services, which are able to provide you with automatic support in the event of a breakdown or an accident, and Remote Online Services – the option enabling vehicle settings to be carried out by smartphone – and lots more besides.

Mercedes me inspire offers special brand experiences and an opportunity to engage in an inspiring dialogue. We aim to share our ideas with you and we would like to know your ideas and wishes. So that we can always offer you the best solutions. A community is available to this end, and you will also find a growing range of offerings and experiences which go beyond the traditional vehicle-related topics – from areas such as events, travel and lifestyle.

Mercedes me move offers access to intelligent mobility solutions: car2go is the pioneer and global market leader in free-floating car sharing, the moovel mobility app pools the offerings from various mobility providers to find the ideal route from A to B. With the mytaxi app you can order a taxi, track its approach live and pay for your journey in a convenient manner. Mercedes-Benz Rent offers vehicles to suit all occasions for short- or long-term rental from an authorised Mercedes-Benz dealer near you. Blacklane enables you to book a chauffeur-driven limousine, FlixBus offers inexpensive, comfortable and environment-friendly trips on long-distance coaches.

Mercedes me assist makes easy work of organising maintenance for your vehicle, providing a convenient online means of locating a Mercedes-Benz dealer in your neighbourhood and arranging a service appointment. The digital service report keeps you up to date on performed service work at all times. The report is available to you online just one day after a service. In addition to the current service report, you can also view your vehicle's complete service history and service intervals, and you can print this information out if you so wish.

Mercedes me finance offers you various routes to your vehicle of choice. The Mercedes-Benz Bank/Mercedes-Benz Financial Services finds the ideal leasing, financing and insurance solution together with you – tailored to your needs. Our leasing products enable you to drive the latest models at all times while enjoying maximum flexibility, as you pay not for acquisition of the vehicle, but only for its use. You also benefit from attractive monthly instalments. Our financing arrangements enable you to pay for your new Mercedes-Benz in a way that suits your personal budget. You can tailor your monthly instalments to your needs by deciding on an appropriate down-payment and term for your contract. Our individual insurance solutions offer reliable protection for your budget and your vehicle on attractive terms. Once a contract is in place, you can conveniently manage your finance applications online.¹

¹ Depending on market availability.

**Mercedes-Benz
Service**



Our service: the perfect fit for your Mercedes.

Beyond the car itself, you also acquire something priceless – an exclusive partnership with Mercedes-Benz. For you, this means safety, independence and motoring free of any worries. In other words: the reassuring feeling of driving a Mercedes.

The best for your Mercedes. No-one knows your Mercedes better than our experienced specialists at the Mercedes-Benz workshops. The comprehensive range of services and the high standard of quality ensure that your vehicle is in top condition. We use proven Mercedes-Benz GenuineParts and special tools to this end.

The best for you. Motoring free of any worries right from the word go: with the tailor-made Mercedes-Benz Service Contracts. These offer you the benefits of a reliable basis for long-term planning, permanent control over costs, fixed monthly rates and cost transparency. Plus ideal protection from additional workshop costs.

The best for your mobility. The Mercedes-Benz Mobilo¹ mobility solution provides for motoring free of any worries throughout Europe – covering breakdowns, accidents, minor mishaps and vandalism. The benefits offered by Mobilo include on-the-spot assistance, a replacement vehicle, towing and overnight hotel accommodation, for example. Mobilo comes free of charge for the first two years after initial registration and can subsequently be renewed each time the vehicle is serviced by an authorised service partner, for a period of up to 30 years in all. Whenever you need assistance, you can reach us free of charge throughout Europe on 00800 1 777 7777².

↘ FIND OUT MORE

For the full information on Mercedes-Benz Service Contracts, go to www.mercedes-benz.com/servicecontracts – or ask your authorised Mercedes-Benz dealer to draw up an individual offer for you.

¹ Our general terms and conditions apply. The period of validity is extended after each service carried out by an authorised Mercedes-Benz service partner until the due date for the next service – up to a maximum of 30 years after initial registration. ² Roaming charges may apply when calling from abroad.

What would motorsport be without Mercedes-Benz?

The first vehicle ever to win an automobile race was powered by a Daimler engine. The first Mercedes was a racing car. The Silver Arrows – a true legend. Mercedes-Benz has a long tradition of involvement with the world of sport. Motorsport shapes the brand and every vehicle bearing the Mercedes star to this day. Discover the brand's unique history first-hand: at the Mercedes-Benz Museum in Stuttgart.

↘ FIND OUT MORE

Discover just what has been moving the world for 130 years and take a journey through time as well as through the history of the automobile at the Mercedes-Benz Museum. More than 1500 exhibits await you on 16,500 m² of floorspace, including unique gems such as the oldest surviving Mercedes from 1902 or the legendary gull-wing models. Welcome to a place of innovation:

www.mercedes-benz.com/museum

www.facebook.com/mercedesbenzmuseum

www.instagram.com/mercedesbenzclassic

www.twitter.com/mb_museum

www.google.com/+mercedesbenzmuseum

www.youtube.com/mercedesbenzmuseum



What would Mercedes-Benz be without motorsport?

3 June 1934 marked the beginning of the Silver Arrows legend in the International Eifel Race at the Nürburgring. Today this legend is more alive than ever: in 2015 the Silver Arrows works team MERCEDES AMG PETRONAS won the Formula 1 constructors' and drivers' titles for the second year in a row. The value of these successes extends way beyond the race track: every mile raced advances the development of lightweight materials and hybrid technology, for example, for application in series production.

↘ FIND OUT MORE

Fascinating Formula 1 goes multimedia:
www.facebook.com/MercedesAMGF1
www.twitter.com/MercedesAMGF1
www.youtube.com/MercedesAMGF1
www.google.com/+MercedesAMGF1
www.instagram.com/MercedesAMGF1
www.MercedesAMGF1.com
www.mercedes-benz.com/motorsport





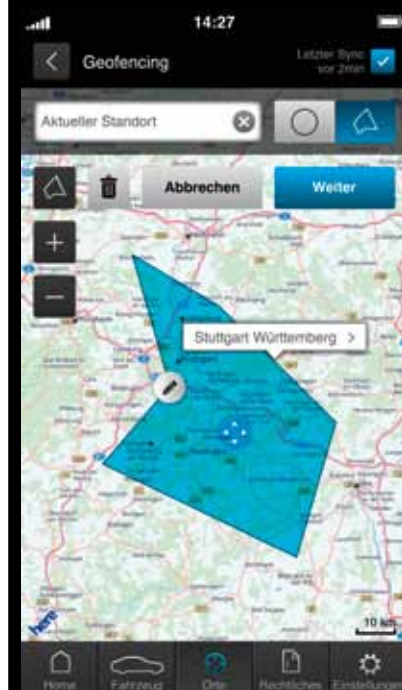
Perfectly connected:

The **Smartphone Integration** function allows iPhones® and Android smartphones to be integrated into the vehicle using Apple CarPlay™ or Android Auto respectively, and so for example their voice-operated control. The system supports the most important programmes and selected apps, including navigation, telephony/FaceTime and Messaging.

FURTHER CONNECTIVITY OPTIONS

The **Auto Telephony** function allows the connection of a mobile phone using the Bluetooth® protocol SAP (SIM Access Profile) or direct operation by inserting a SIM card into the integral SIM card reader. It is easy to operate using the multifunction steering wheel as well as the controls on the centre console. The media display provides the visual output interface.

The **Universal Telephony package** comprises a universal cradle in the armrest that allows the easy and convenient connection of smartphones to the vehicle's hands-free telephone system. In addition the rechargeable battery can be charged. The smartphone is conveniently operated through the vehicle's systems.



All linked up.

Our innovative and individualised mobility, connectivity and vehicle-related services go by the name of **Mercedes me**. As part of this exciting Mercedes-Benz world of experience, **Mercedes me connect** fully integrates driver, car and personal sphere. The Mercedes me connect Standard Services such as the Mercedes-Benz emergency call system or Breakdown Management offer immediate assistance.

Installing **Remote Online** means that, for three years, the vehicle is technically able to access all the remote and tracking services. Geofencing, vehicle tracker, remote door locking and unlocking, remote retrieval of vehicle status or the programming of the auxiliary heating system – these are just a selection of the Remote Online services that can currently be booked separately with Daimler AG on the basis of this technical preparation. These services, which are part of the range of services offered by Mercedes me connect, significantly boost safety and comfort and help to save time.

You can call up services at any time, even when on the move, from a smartphone, tablet or desktop computer, via the URL <https://connect.mercedes.me>

↘ FIND OUT MORE

Full information at: www.mercedes.me/com



Just follow your own heart. Or COMAND Online.

Navigation, telephone, audio, video, internet – with the optional **COMAND Online** control and display system the driver is able to keep these and many other functions in view and under control. Information is shown in colour on a 20.3 cm (8-inch) high-resolution display. Operation is simple and intuitive. There's a fast hard-disc navigation system with realistic topographical map display for relaxed route guidance. In combination with a suitable mobile phone, it is possible to call up internet sites when the vehicle is stationary and to use Mercedes-Benz Apps, such as POI search, weather or internet radio, while on the move. Other highlights include the LINGUATRONIC voice control system, a Bluetooth® interface with hands-free operation, a read-aloud function for SMS text messages, and audio streaming of music files.

ALL YOU NEED FOR EASY NAVIGATION

Available as an option, the **Garmin® MAP PILOT** upgrades the Audio 20 CD to a full-blown Garmin® navigation system offering user-friendly navigation, precise map data and excellent route guidance. It is all done by simply inserting an SD card with navigation software and map data sets.

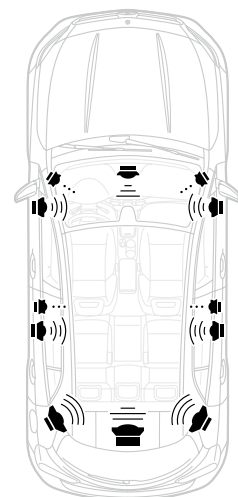
Live Traffic Information (part of the optional COMAND Online system or Garmin® MAP PILOT) facilitates the reception of the latest and precise traffic information for optimised dynamic route guidance and precisely calculated arrival times. Data transfer is with a communication module via a fast mobile internet connection.





The **8-inch media display**, with a screen diagonal of 20.3 cm, looks rather like a state-of-the-art tablet computer (available as an option for Audio 20).



The new GLA. Sound to take your breath away.

With twelve loudspeakers, including a bass speaker, and a 9-channel DSP amplifier, the optional 450 Watt **Harman Kardon® Logic 7® surround sound system** works in conjunction with the various audio systems to deliver a perfect stereo audio experience – and in conjunction with COMAND Online also in DTS and Dolby Digital 5.1 format. The Logic 7® surround sound technology with dynamic volume control adjusts the volume constantly to the vehicle’s speed – for a consistent audio experience in every seat.



-  Centre-fill speaker
-  Tweeter
-  Low-/mid-range speaker
-  Mid-range speaker
-  Bass speaker

The Logic 7® multi-channel technology provides for an authentic surround-sound musical experience. Designed to deliver a 360-degree audio experience in every seat.





DYNAMIC SELECT. Emotions at the touch of a button.

Comfortable, sporty, efficient or entirely individual vehicle settings can be conveniently called up with the optional **DYNAMIC SELECT** switch. With the selected transmission mode, parameters such as the characteristics of the engine, transmission, suspension and steering are changed. As an alternative to the standard “Comfort” setting, the transmission mode “Sport” offers such features as a sportier steering feel and a stiffer damper set-up (in conjunction with the suspension with Adaptive Damping System). The “Eco” transmission mode is designed to keep fuel consumption as low as possible.

Vehicles with 4MATIC all-wheel drive additionally feature the “Offroad” transmission mode – this adjusts the power delivery of the engine and the shift characteristics of the automatic transmission for driving in moderate off-road terrain or on dirt tracks. At the same time, special ABS, ESP® and 4ETS systems configured for tricky terrain are activated. Last, but not least, the “Individual” driving mode enables the individual parameters to be adjusted to suit personal preference – from the steering and powertrain to the suspension.

FURTHER SUSPENSION OPTIONS

With the **off-road comfort suspension** the body is raised by 30 millimetres. This results in improved off-road capability thanks to greater ground clearance, a higher seating position and a more striking off-road look.

The **suspension with Adaptive Damping System** is an option that allows the driver to adjust the damping characteristics of the car using the DYNAMIC SELECT Switch. They can choose between the “Comfort” mode for more comfortable damping characteristics and the “Sport” mode for a sporty-firm damper set-up. This makes it possible to adopt a considerably more agile driving style.

The **suspension with lowered ride height** combines agility and ride comfort as the result of the shock absorbers automatically adjusting to the driving situation and the condition of the road. Springs and dampers have a sporty tuning and the ride height of the vehicle has been lowered by 15 millimetres.

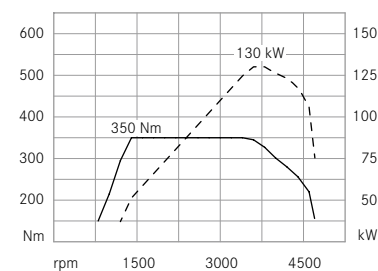


4MATIC. On the gripping subject of traction.

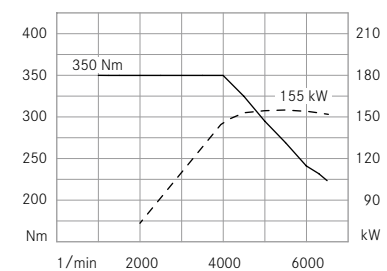
“I drive so rarely off-road, I don’t need all-wheel drive.” Such thinking is somewhat wide of the mark: the **all-wheel drive system 4MATIC** – optional for the diesel variants GLA 200 d and GLA 220 d and for the petrol models GLA 220 and GLA 250 – is not only a boon in off-road use. It optimises driving safety in snow or wet conditions. It supports dynamic cornering by varying the distribution of driving power between front and rear axle. It increases directional stability at a high speed. And it improves acceleration on loose ground by means of braking intervention to prevent individual wheels from spinning. The scope of the all-wheel drive system 4MATIC also includes a special off-road driving mode: the altered drive characteristics adjust the power delivery of the engine and the shift characteristics of the automatic transmission for optimum traction, particularly on a loose surface or on dirt tracks.

High torque alone is not enough: the maximum 350 Nm of torque in the GLA 220 d and in the GLA 250 become available at very low engine speeds, making it possible to keep the revs down and thus drive efficiently.

GLA 220 d



GLA 250

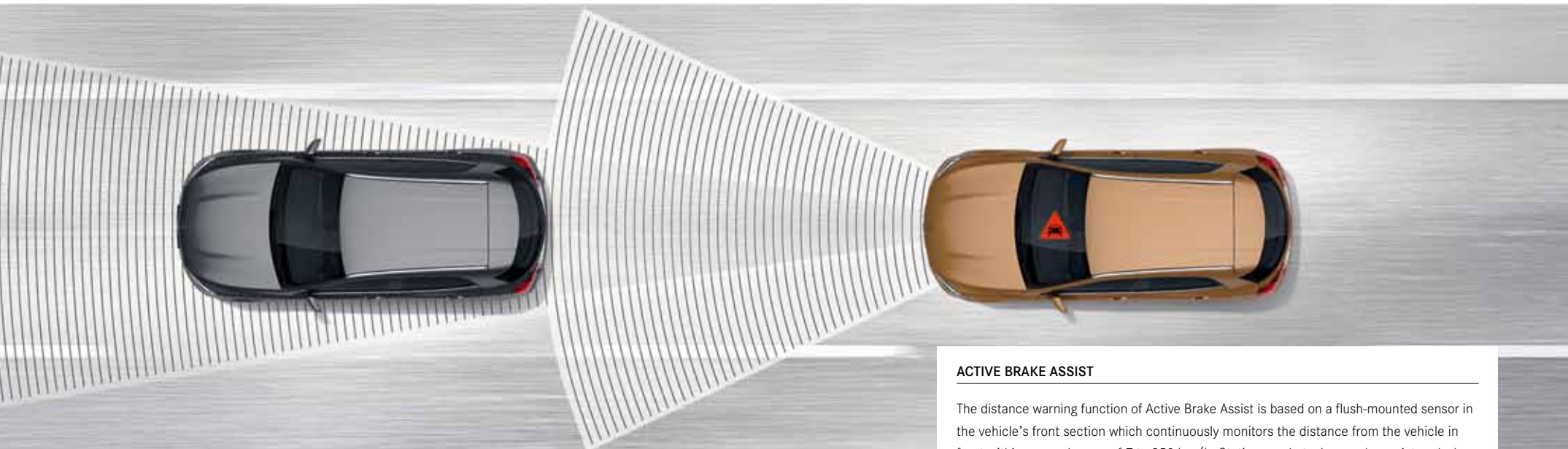


Engine speed in rpm, torque in Nm, output in kW

The new GLA even leads the way when it comes to trailing the vehicle ahead.

However alert you may be at the wheel, a quick distraction may be all it takes to cause a rear-end collision. Such collisions account for around one quarter of all accidents involving injuries in Germany. **Mercedes-Benz Intelligent Drive** aims to reduce this figure substantially in future, too. Intelligent Drive is a fundamental conviction driven by innovation and a due sense of responsibility. But what does it mean in concrete terms?

In its standard guise the new GLA is already fitted with **Active Brake Assist**. This system provides the driver with a visual warning when the distance from the vehicle in front is inadequate. An acoustic warning additionally sounds when the gap continues to close. Even more reassuringly, if the driver brakes too tentatively, the situation-appropriate braking support increases its power to the point where it can prevent a collision. This is also intended to prevent vehicles behind colliding with the vehicle as a result of excessively heavy braking. Active Brake Assist is also able to trigger autonomous braking if a rear-end collision appears imminent and the driver fails to react, so preventing an accident or at least minimising the consequences.



ACTIVE BRAKE ASSIST

The distance warning function of Active Brake Assist is based on a flush-mounted sensor in the vehicle's front section which continuously monitors the distance from the vehicle in front within a speed range of 7 to 250 km/h. Stationary obstacles can be registered when the vehicle is moving in a speed range of between 7 and around 70 km/h.

We are driven by our vision of accident-free motoring.

We are the first automotive manufacturer worldwide to have developed an **integral safety concept**, aimed at avoiding accidents, ensuring ideal responses to dangers and lessening the consequences of accidents. For the occupants of a Mercedes as well as for other road users.

SAFE DRIVING

The **ATTENTION ASSIST drowsiness detection system** serves to enhance driving safety, in particular on long trips and when driving at night. It can monitor the steering behaviour of the driver to recognise typical signs of drowsiness and severe loss of attention, and give visual and acoustic warnings of impending microsleep.

The **ADAPTIVE BRAKE control system** improves braking performance through intelligent intervention: in wet conditions, the brake discs are kept dry. The brake pads are applied automatically when the driver's foot is removed abruptly from the accelerator pedal. And on uphill slopes, the system is able to prevent the vehicle from rolling backwards.

The optional **Distance Pilot DISTRONIC** helps to maintain a safe distance from the vehicle in front, above all in stop-and-go traffic. The system is able to brake the vehicle automatically and subsequently accelerate again as appropriate to the traffic situation.

IN THE EVENT OF DANGER

The optional **PRE-SAFE®** occupant protection system is able to identify critical driving situations in advance and to initiate precautionary measures to protect the vehicle's occupants when an imminent risk of accident is detected. Such measures include reversible belt tensioning or automatic closing of open side windows, for example.

The optional **Blind Spot Assist** employs radar sensors to alert drivers to one of the most serious sources of danger in road traffic. When a vehicle is detected in the blind spot, a red triangle lights up in the exterior mirror. An acoustic warning additionally sounds as necessary. The system is active from a speed of 30 km/h and up to the vehicle's top speed. The optional **Lane Keeping Assist** is able to recognise when the vehicle is unintentionally drifting out of its lane at speeds between 60 and 200 km/h, duly warning the driver by means of pulsed vibrations on the steering wheel. Blind Spot Assist and Lane Keeping Assist also form part of the optional **Lane Tracking package**.

IN AN ACCIDENT

A comprehensive protection system is able to reduce the risk of injury substantially. This system includes the **active bonnet**, which within certain speed ranges is raised automatically by a couple of centimetres in a collision, so helping to provide better protection for pedestrians or cyclists. In the event of a severe accident, the occupants inside the vehicle are also given extensive protection by up to **nine airbags** (including two optional sidebags in the rear).

AFTER AN ACCIDENT

Every Mercedes-Benz is perfectly trained in first aid. If the worst comes to the worst, the engine can be stopped automatically, the hazard warning lights and emergency interior lighting can be activated, and the central locking can be unlocked. Finally, the integrated **Mercedes-Benz emergency call system** can send GPS position data and important vehicle information, though it is to be hoped this will never be necessary. Mercedes-Benz also provides multilingual rescue guidelines which emergency services can download online worldwide at

www.mercedes-benz.de/rettungslleitfaden



Lighting for high performers.

In addition to their distinctive visual appeal, the optional **LED High Performance headlamps** offer a broad light distribution, a daylight-simulating colour temperature and a low energy consumption level. Even in the daytime, the clearly defined contours and high-quality detailing ensure an unmistakable front view. Thanks to the LED technology deployed in the low-beam and main-beam headlamps, the road surface is better illuminated than with conventional halogen headlamps. When unlocking the vehicle, the “Coming Home” function welcomes the driver with an exceptional light display. The fibre optics for the daytime running lamps light up initially in blue, then the colour changes smoothly to bright white. The **crystal-effect tail lights**, likewise in LED technology, give the car a striking appearance and improve visibility.

MORE LIGHT FOR ADDED SAFETY

The optional **Light and Sight package** gives the interior a higher-quality feel and the car optimum overall visibility. It includes function illumination, which enhances comfort and safety, and ambient lighting, which lends the interior even more atmosphere.

Depending on the ambient light conditions, **Headlamp Assist** automatically switches the dipped-beam headlamps on or off. In rapidly changing light conditions in particular, the system can enhance driving safety and reduce the pressure on the driver, e.g. when driving into a tunnel or a multi-storey car park.



Makes things easier all round.

The optional **360° camera** uses four networked short-range cameras to provide a realistic all-round view during parking and manoeuvring. A bird's-eye view of the vehicle and its surroundings can be shown on the media display. One camera is located in a central position in the radiator grille, one in each exterior mirror and one centred in the tailgate. The virtual viewpoint covers an area extending about three metres all round the vehicle. Various views additionally show guide lines to make parking easier. The 360° camera can be activated by engaging reverse gear, by pressing a button or via the menu of the multimedia system.



MAKE THINGS EASY FOR YOURSELF

Reverse parking and manoeuvring is considerably easier and safer with the optional **reversing camera**. It is activated automatically when reverse gear is engaged and shows the area behind the vehicle (with dynamic guidance lines) in the media display.

The optional **Traffic Sign Assist** system is able to detect speed limits, no-overtaking restrictions and wrong-way driving, and display an alert in the instrument cluster.





The standard equipment.

You can configure the new GLA according to your own individual wishes, right down to the minutest details. Countless equipment options are available to this end. Or you can simply enjoy the very comprehensive standard equipment and appointments package.

▾ FIND OUT MORE

As attractive as this overview may be, it only provides an initial impression. For the complete range of standard equipment please refer to the price list, which is also available for viewing online.

HIGHLIGHTS – EXTERIOR

Multi-spoke light-alloy wheels with 215/60 R 17 tyres

Comfort suspension

2-louvre radiator grille, painted in silver

Bumpers front and rear with simulated underguard

Beltline trim strip in matt black

HIGHLIGHTS – INTERIOR

Comfort seats with Coari fabric upholstery and topstitching

3-spoke multifunction steering wheel with twelve control buttons

Carbon-fibre-look trim element

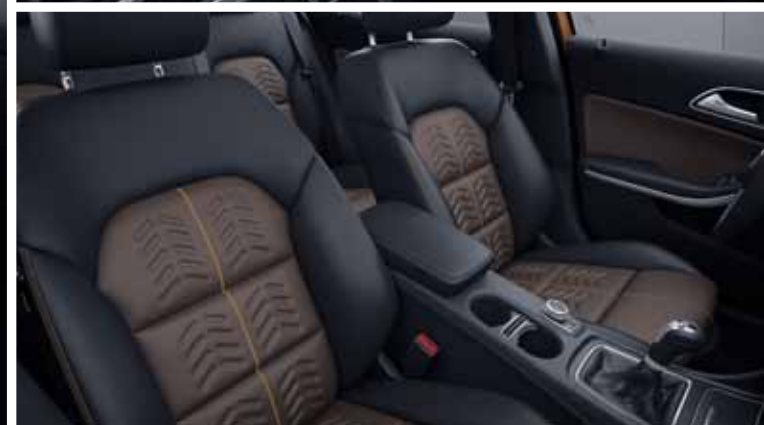
Instrument cluster with colour multifunction display

Air conditioning

Audio 20 USB multimedia system

KEYLESS-GO starting function with convenience central locking system

Cruise control with variable speed limiter



Class and distinction: the Style line.

The Style design and equipment line creates high-quality highlights both inside and out. The use of chrome on the outside and leather in the interior are just two examples of this. A special feature of the design: the “Macápá” upholstery design with its bold topstitching.

¹ Black matrix-look trim (H54) as part of the Style equipment line; high-gloss brown walnut wood trim (H14), light brown silk matt poplar wood trim (H19), AMG carbon fibre trim (H73) or black matt ash wood trim (H06) available as an optional extra.

HIGHLIGHTS – EXTERIOR

5-twin-spoke light-alloy wheels, painted vanadium silver, with 215/60 R 17 tyres

Radiator trim with two perforated louvres in matt iridium silver and additional inserts in high-gloss chrome

Beltline trim strip in chrome

Load sill guard in chrome

Aluminium roof rails in high-gloss black

HIGHLIGHTS – INTERIOR

Comfort seats with upholstery in ARTICO man-made leather/Macápá fabric with special off-road flair

Seat Comfort package, including seat cushion depth adjustment

Black matrix-look trim (H54)¹

3-spoke multifunction steering wheel in leather, with twelve function buttons

Instrument cluster with two tubes – dials with concentric rings and needles in metallic silver with red needle pointer







Dynamic and modern: the Urban line.

The Urban design and equipment line enhances the sporty appearance significantly. Highlights include the integrated tailpipe trim and dynamic 5-spoke light-alloy wheels as well as sports seats and a leather multifunction steering wheel with additional perforations in the grip area.

¹ Sail-look trim (H81) as part of the Urban equipment line; aluminium trim with trapezium grain (739), aluminium trim with light longitudinal grain (H79) or AMG carbon fibre trim (H73) available as an optional extra.

HIGHLIGHTS – EXTERIOR

5-spoke light-alloy wheels, painted vanadium silver with a high-sheen finish, with 235/50 R 18 tyres

Radiator trim with two perforated louvres in matt iridium silver with inserts in high-gloss chrome

Twin-pipe exhaust system, with chrome-plated tailpipe trim integrated into bumper

Beltline trim strip and load sill guard in chrome

Roof rails in anodised aluminium

HIGHLIGHTS – INTERIOR

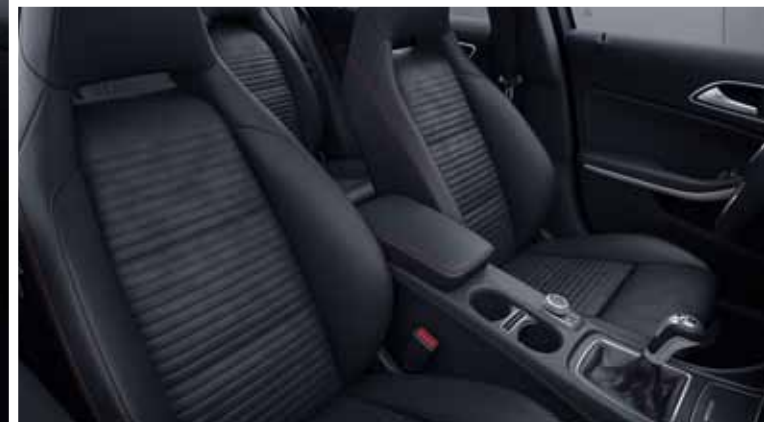
Sports seats with upholstery in ARTICO man-made leather/Maringá fabric with contrasting topstitching

Seat Comfort package, including seat cushion depth adjustment

Sail-look trim (H81)¹

3-spoke leather multifunction steering wheel with perforations in the grip area, twelve control buttons and contrasting topstitching

Air outlets with surround and cruciform nozzle in silver chrome



Sporty and exclusive: the AMG Line.

The AMG Line combines perfectly matched elements to further enhance the vehicle's sportiness and exclusivity – from the dynamic AMG bodystyling and AMG light-alloy wheels through to a suspension that has been lowered by 15 mm and a multifunction sports steering wheel.

HIGHLIGHTS – EXTERIOR

AMG bodystyling with inserts in front splitter and side sill panels and rear apron trim in high-gloss chrome

AMG 5-spoke light-alloy wheels, painted titanium grey with a high-sheen finish, with 235/50 R 18 tyres

Radiator trim with two perforated louvres in matt iridium silver with inserts in high-gloss chrome

Suspension lowered by 15 mm and Sports Direct-Steer system¹

Perforated front brake discs, front brake callipers with "Mercedes-Benz" lettering

Twin-pipe exhaust system with integrated tailpipe trim, chromed

HIGHLIGHTS – INTERIOR

Sports seats upholstered in ARTICO man-made leather/DINAMICA microfibre with red contrasting topstitching

Seat Comfort package, including seat cushion depth adjustment

Light aluminium trim with longitudinal grain (H79)

3-spoke multifunction sports steering wheel in leather, flattened lower section, with perforations in grip area and contrasting topstitching in red

Two-tube instrument cluster, silver-coloured backplate and red needles

Brushed stainless-steel sports pedals with rubber studs

¹ Comfort suspension available without lowering and Sports Direct-Steer system as a no-cost option.





The Exclusive package and the Comfort Exclusive package.

The **Exclusive package** makes the interior even more high-class. With this, the dashboard and beltlines are finished in ARTICO man-made leather with contrasting topstitching. The heated sports seats are upholstered in leather.

It is the distinctive comfort seats of the **Comfort Exclusive package** that make it stand out – the upholstery is exclusively finished in black buffalo hide-look leather. The dashboard and beltlines are finished in ARTICO man-made leather.

OVERVIEW OF FEATURES

Sports seats with leather upholstery, 4-way lumbar support and contrasting topstitching as well as perforated pads (in conjunction with the Exclusive package)

Distinctive comfort seats in black buffalo hide-look leather, with 4-way lumbar support (in conjunction with Comfort Exclusive package)

Seat Comfort package, including seat cushion depth adjustment

Heated seats for driver and front passenger

Aluminium trim with trapezium grain (in conjunction with Comfort Exclusive package)

3-spoke multifunction steering wheel in leather with perforations in the grip area

Shift lever in leather with silver chrome highlights (in conjunction with 6-speed manual transmission)

Dashboard in ARTICO man-made leather with contrasting topstitching

Air outlets with surround and cruciform nozzle in silver chrome

Door armrests with silver chrome trim and contrasting topstitching

Sports pedals in brushed stainless steel with rubber studs (part of Exclusive package in conjunction with AMG Line)

The AMG Exclusive package.

Building on the AMG Line, this combination of high-quality interior appointments offers maximum exclusivity, individuality and sportiness. The highlight in terms of both look and feel is the upholstery in black RED CUT leather with red contrasting topstitching.

OVERVIEW OF FEATURES

Sports seats with black RED CUT leather upholstery and red contrasting topstitching

Seat Comfort package, including seat cushion depth adjustment

Heated seats for driver and front passenger

Light aluminium trim with longitudinal grain (H79)

3-spoke multifunction sports steering wheel in leather, with flattened bottom section, perforated in the grip area and with red contrasting topstitching

Shift lever in leather with silver chrome highlights (in conjunction with 6-speed manual transmission)

Dashboard in ARTICO man-made leather with red contrasting topstitching

Two-tube instrument cluster, silver-coloured backplate and red needles

Door armrests with silver chrome trim and contrasting topstitching

Cord floor mats with black edging, red contrasting topstitching and "AMG" lettering

Convenience central locking system with summer opening/closing function for side windows and panoramic sliding sunroof (optional)





The Night package.

The Night package offers striking exterior features to lend the vehicle an expressive sporty character.

OVERVIEW OF FEATURES

Radiator grille with two louvres in high-gloss black and chrome inserts

Exterior mirror housings painted black

Heat-insulating dark-tinted glass starting from the B-pillar

Aluminium roof rails in high-gloss black

Beltline trim strip in high-gloss black

Additional features in conjunction with Style line and Urban line:

Front and rear bumpers with simulated underguard in high-gloss black and 5-twin-spoke light-alloy wheels painted black with a high-sheen finish, fitted with 235/50 R 18 tyres

Additional features in conjunction with AMG Line:

AMG bodystyling with inserts in front splitter and side sill panels, rear apron trim in high-gloss black and AMG 5-spoke light-alloy wheels painted matt black with a high-sheen finish and fitted with 235/45 R 19 tyres





Highlights – optional extras.

Light and airy does it: The wide expanses of glass of the **panoramic sliding sunroof** ensure a light and friendly ambience in the interior. It consists of a fixed panoramic glass rear section and an electrically operated sliding glass front section for ventilation of the interior as required.

FURTHER OPTIONAL EXTRAS

The **aluminium roof rails** provide the attachment basis for various roof racks. In addition to their practical benefits the roof rails also serve as a design feature. Also available in high-gloss black (see illustration).

The **electrically adjustable driver's seat including Memory function** allows up to three individual positions of the seat and exterior mirror to be stored. The Memory function is also available for the front passenger seat.

THERMOTRONIC automatic climate control with two climate zones provides individual climate comfort for the driver and for the front passenger. Temperature, airflow and air distribution are controlled automatically.

For convenient loading and unloading, the **EASY-PACK tailgate** opens and closes electromechanically at the simple push of a button.

The **Load Compartment package** delivers more space, order and safety. The rear seat backrests can be positioned forwards at a 15-degree steeper angle (cargo position), to increase the load capacity. A lockable load compartment floor with chrome-plated handle reinforces the high-quality impression.

The **ambient lighting** enhances the atmosphere and quality feel of the interior. Before a journey, the vehicle interior can be heated or ventilated by the **auxiliary heater** – either by timer or with the remote control. In winter this eliminates the time-consuming task of scraping ice from the windows.



The perfect genuine accessories for every adventure.

The new GLA fulfils just about every wish. And for those extra special needs there are genuine accessories. The diverse range of items all correspond to a common standard: every accessory product has been developed specifically for the new GLA in accordance with Mercedes-Benz's high quality standards.



Discover the entire range online at
www.mercedes-benz-accessories.com

Make your **illuminated Mercedes star** shine brightly. Fibre optics and LED technology are used to illuminate the central star on the radiator grille of your Mercedes when you unlock the car with the remote or when you open a door or the tailgate (functionality only available when the engine is switched off and not in conjunction with the Distance Pilot DISTRONIC).

5-twin-spoke light-alloy wheels, matt black with a red rim flange, for 235/45 R 19 tyres.

The **basic carrier bars** in a special Mercedes-Benz design are designed specifically to fit the new GLA. They provide the basis for many Mercedes-Benz carrying solutions and are easily mounted as well as lockable.

The convenient, lockable **rear-mounted cycle rack** for the safe transportation of two or three bicycles, easy to mount on the trailer coupling. Maximum load of up to 30 kg per bicycle rail. Therefore suitable for most e-bikes. A rolling mechanism ensures that the tailgate can still be opened. The rack folds easily for convenient storage in the boot or at home.





Wheels.

Wheels are indispensable on technical grounds, of course. But on an emotional level, too, perfect wheels are an absolutely crucial ingredient of many people's dream car. With this in mind, we have put together a particularly large and diverse selection for you.

STANDARD EQUIPMENT AND OPTIONAL EXTRAS

R00 Steel wheels with 10-hole trims, with 215/60 R 17 tyres

08R Multi-spoke light-alloy wheels, painted vanadium silver, with 215/60 R 17 tyres

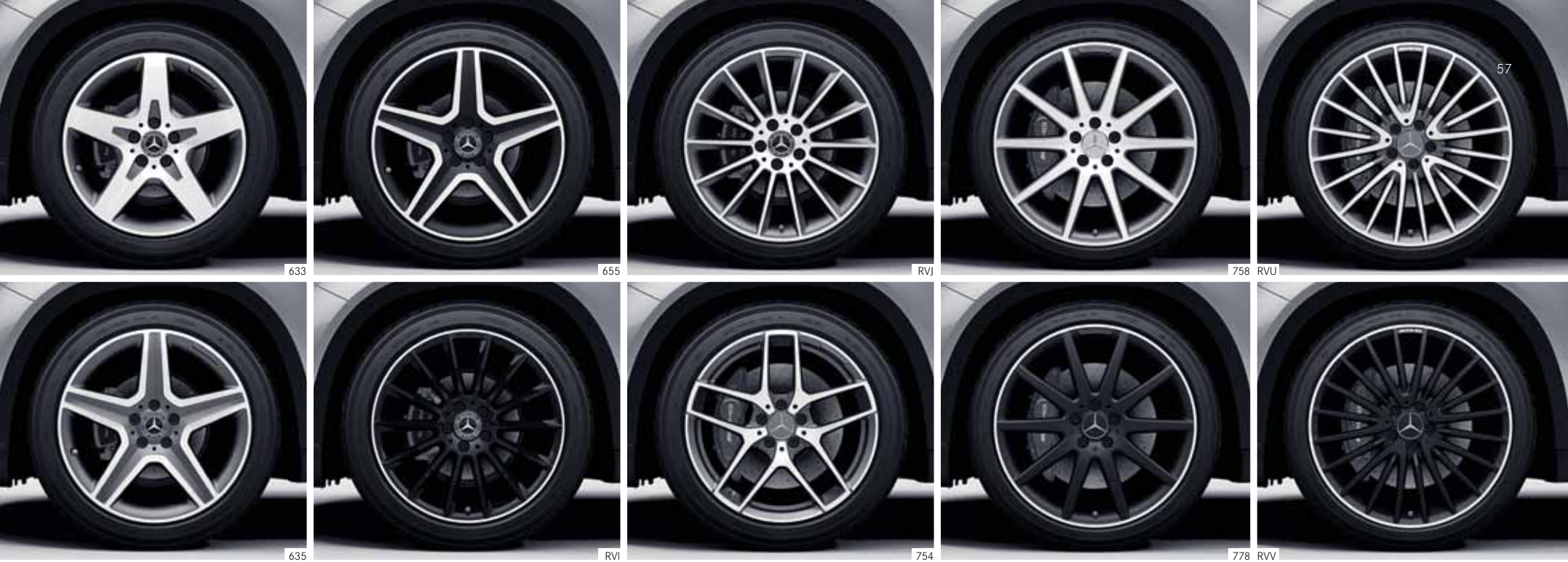
R48 5-twin-spoke light-alloy wheels, painted vanadium silver, with 215/60 R 17 tyres

R31 5-twin-spoke light-alloy wheels, painted vanadium silver, with 235/50 R 18 tyres

01R 5-twin-spoke light-alloy wheels, painted black with a high-sheen finish, with 235/50 R 18 tyres

82R 5-spoke light-alloy wheels, painted vanadium silver with a high-sheen finish, with 235/50 R 18 tyres

48R 5-spoke light-alloy wheels, painted matt black with a high-sheen finish, with 235/45 R 19 tyres



GENUINE ACCESSORIES

77R 5-twin-spoke light-alloy wheels¹, painted vanadium silver, with 235/45 R 19 tyres

65R 5-twin-spoke light-alloy wheels¹, painted black with a high-sheen finish, with 235/45 R 19 tyres

Code: A156 401 2700 7X23 | 5-twin-spoke light-alloy wheels², painted black with a high-sheen finish, with 235/50 R 18 tyres

AMG

633 AMG 5-spoke light-alloy wheels, painted titanium grey with a high-sheen finish, with 235/50 R 18 tyres

635 AMG 5-spoke light-alloy wheels, painted titanium grey with a high-sheen finish, with 235/45 R 19 tyres

655 AMG 5-spoke light-alloy wheels, painted black with a high-sheen finish, with 235/45 R 19 tyres

RVI AMG multi-spoke light-alloy wheels, painted black with a high-sheen rim flange, with 235/45 R 19 tyres

RVJ AMG multi-spoke light-alloy wheels, painted titanium grey with a high-sheen finish, with 235/45 R 19 tyres

754 AMG 5-twin-spoke light-alloy wheels, painted titanium grey with a high-sheen finish, with 235/45 R 19 tyres

758 AMG 10-spoke light-alloy wheels, painted titanium grey with a high-sheen finish, with 235/40 R 20 tyres

778 AMG 10-spoke light-alloy wheel, painted matt black with a high-sheen rim flange, with 235/40 R 20 tyres

RVU AMG multi-spoke light-alloy wheels, painted titanium grey with a high-sheen rim flange, with 235/40 R 20 tyres

RVV AMG multi-spoke light-alloy wheels, painted matt black with a high-sheen rim flange, with 235/40 R 20 tyres

¹ Ex-factory accessory wheel.

² Genuine accessory wheels are delivered without tyres.

Life without Performance? Unthinkable. The Mercedes-AMG GLA 45 4MATIC.

Mercedes-AMG is not just a manufacturer of performance vehicles, AMG is a promise. The promise always to go one step further; to expect much and to give absolutely everything. This is how we create exceptional automobiles for exceptional people.

However big the stones that people place in your way, you have the vehicle to get you over them. The new Mercedes-AMG GLA 45 4MATIC. An SUV in the compact segment. Built to break conventions or to create something new. Yet still ideal for everyday use.

Welcome to the world of AMG.







✓ The word getaway suddenly takes on new meaning.



The tail end of the Mercedes-AMG GLA 45 shows the car's feisty character. The new spoiler lip and the AMG diffuser-look rear apron reduce the lift on the rear axle and hold the sportster solidly on the road. Hallmark front-end features: the AMG radiator grille with its twin louvre in silver chrome and the AMG front apron in an A-wing design. Large cooling air intakes and distinctive gills on all air intakes serve to underline the vehicle's self-assured and dynamic appeal. With looks like these, even a compact SUV can earn respect in any terrain.

Pulls away on any surface.

The Mercedes-AMG GLA 45 is both an SUV and a thoroughbred sports car. Exciting proof of this is delivered by a spectacular trip out into the desert, courtesy of the performance-oriented all-wheel drive system AMG Performance 4MATIC and the optional AMG DYNAMIC PLUS package, including AMG front-axle limited-slip differential. The AMG RIDE CONTROL sports suspension, available as an option, with Adaptive Damping System and additional RACE transmission mode, delivers one of the most intensive driving experiences possible. Can such dynamic performance still be improved upon? Yes, on a closed-off race track, where the 3-stage Electronic Stability Program (ESP®) will help you steer your racer safely round the asphalt.









Fly the ideal line.

A vehicle that any pilot would love to captain: the new Mercedes-AMG GLA 45. The touch of a button is all it takes to start the world's most powerful series-production four-cylinder engine. With an output of 280 kW (381 hp) this handcrafted engine, built according to the principle of "One Man – One Engine", develops torque of 475 Nm. And can accelerate the Mercedes-AMG GLA 45 out of the dust from 0 to 100 km/h in just 4.4 seconds. A quick roar, then full thrust ahead.



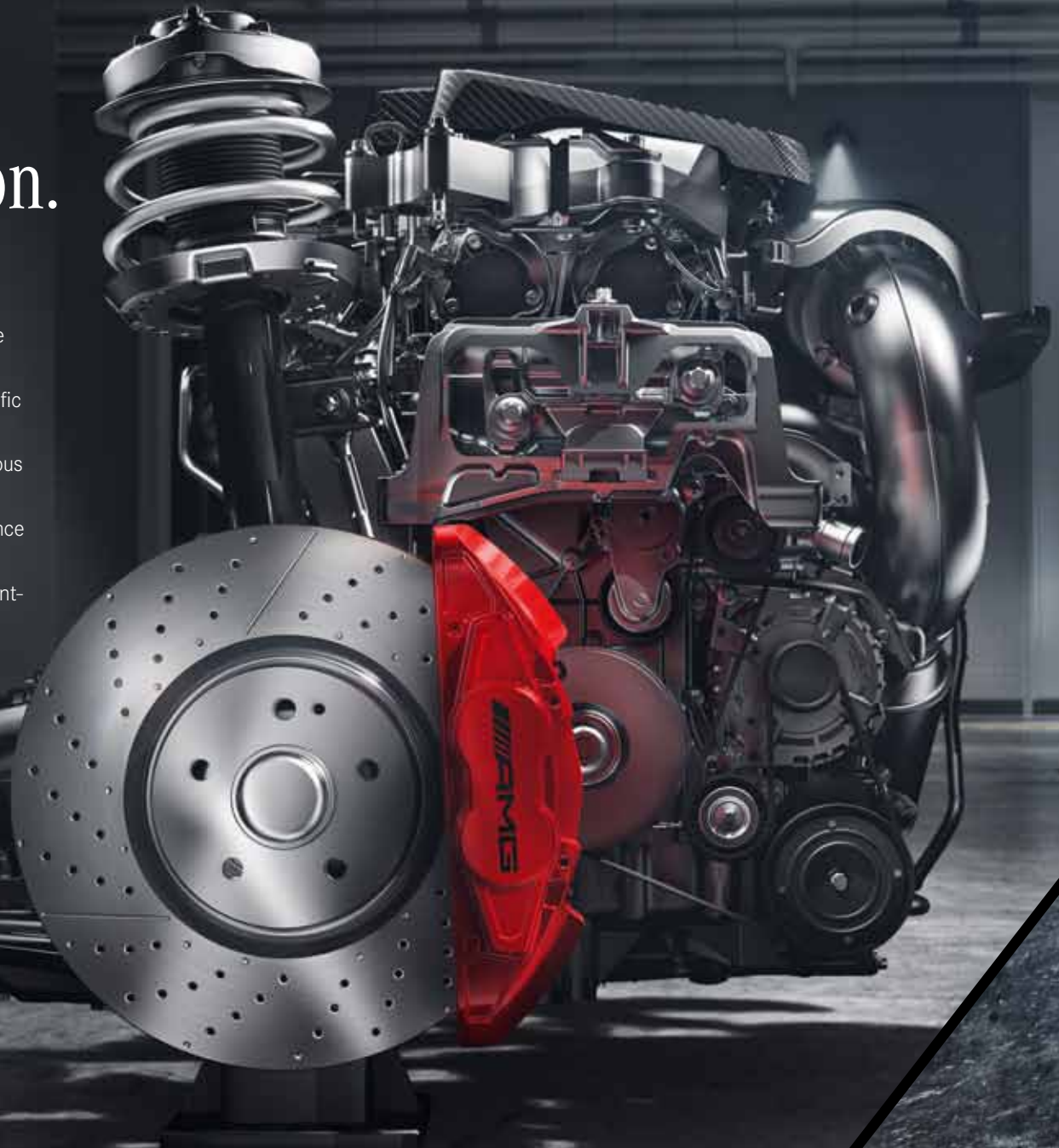


A cockpit worthy of being called such.

To sit in the AMG Performance seats with their pronounced contours and integrated head restraints is to experience high-quality materials and sporty elegance close-up. The cushion and the backrest of the seat both offer even better lateral support and add a very special sporty look to the interior of the Mercedes-AMG GLA 45. The AMG E-SELECT shift lever and the optionally available AMG Performance steering wheel with silver-coloured aluminium shift paddles serve to round off the dynamic appeal of the interior. It all adds up to give the pilot mastery over the vehicle as well as over any terrain.

Technology to take you into pole position.

What do AMG drivers and AMG engineers have in common? They have petrol coursing through their veins. As proven by the world's most powerful series-production four-cylinder turbo-charged engine, with an output of 280 kW (381 hp). With a specific output of 141 kW (191 hp) per litre, it even outperforms most super sports cars. A twin-scroll turbocharger ensures instantaneous response and superb agility. A torque of 475 Nm stands at your disposal for this very purpose. And, thanks to the AMG Performance 4MATIC all-wheel drive system, this power is delivered precisely to the road. The optional AMG DYNAMIC PLUS package with front-axle limited-slip differential can improve traction still further. With the result that while, in the end, the laws of physics may reach their limits, your enjoyment of driving won't.









Passion grows if you share it: the AMG Private Lounge is our community centred around the world of AMG. This is where AMG customers are able to meet at first-class events and use the online platform to discuss the latest developments from Affalterbach. They can also benefit from special offers and from the direct link to the headquarters of AMG: www.mercedes-amg.com/privatelounge/welcome

The AMG Driving Academy inspires an unparalleled team spirit: experience performance with like-minded individuals and improve your driving skills at racetrack and lifestyle events held at breathtaking locations around the world. Become part of the “World’s Fastest Family”: www.mercedes-amg.com/driving-academy

Want even more? AMG offers a platform for professional motorsport in the form of the AMG Customer Sports Program – and with the Mercedes-AMG GT3 a race car developed specifically for this purpose. A fully integrated service package delivers motorsport at the highest level: www.mercedes-amg.com/customer_sports

In the AMG Performance Studio we create cars that are perfectly tailored to your wishes and desires. No limits are placed on the creativity of our experts, who demonstrate their unparalleled craftsmanship and attention to detail in areas as varied as special technical components, extravagant paintwork finishes and the most exclusive interior appointments imaginable, to produce one-off masterpieces.

Enter the world of AMG. Experience true driving performance.

We don't just build cars. We make dreams come true.

Technical data.

Cylinder arrangement/number
Displacement (cc)
Rated output ¹ (kW (hp) at rpm)
Rated torque ¹ (Nm at rpm)
Transmission
Acceleration 0 to 100 km/h (secs.)
Top speed (km/h)
Tyres/wheels, front
Tyres/wheels, rear
Fuel
Fuel consumption ⁴ (l/100 km)
Urban
Extra-urban
Combined
CO ₂ emissions ⁴ (g/km) combined
Emission class ⁵ /efficiency class ⁶
Tank capacity/incl. reserve (l)
Load compartment capacity ⁷ (l)
Turning circle (m)
Kerb weight ⁸ /payload (kg)
Perm. GVW (kg)
Perm. towing capacity unbraked/braked (at 12%)/braked (at 8%) (kg)

Diesel engines

GLA 180 d	GLA 200 d	GLA 200 d 4MATIC	GLA 220 d	GLA 220 d 4MATIC
4/in-line	4/in-line	4/in-line	4/in-line	4/in-line
1461	2143	2143	2143	2143
80 (109)/4000	100 (136)/3200-4000	100 (136)/3400-4400	130 (177)/3600-3800	130 (177)/3600-3800
260/1750-2500	300/1400-3000	300/1400-3000	350/1400-3400	350/1400-3400
6-speed, manual [7G-DCT]	6-speed, manual [7G-DCT]	- [7G-DCT]	- [7G-DCT]	- [7G-DCT]
11.9 [11.7]	9.5 [9.1]	- [9.1]	- [7.7]	- [7.7]
190 [190]	205 [205]	- [200]	- [223]	- [218]
215/60 R 17	215/60 R 17	215/60 R 17	215/60 R 17	215/60 R 17
215/60 R 17	215/60 R 17	215/60 R 17	215/60 R 17	215/60 R 17
Diesel	Diesel	Diesel	Diesel	Diesel
4.8-4.7 [4.7-4.5]	5.4 [5.2-5.0]	- [5.9-5.8]	- [5.2-5.0]	- [5.9-5.8]
4.0-3.6 [3.8-3.6]	3.8-3.5 [3.9-3.7]	- [4.4-4.3]	- [3.9-3.7]	- [4.4-4.3]
4.3-4.0 [4.1-3.9]	4.4-4.2 [4.4-4.2]	- [5.0-4.8]	- [4.4-4.2]	- [5.0-4.8]
113-105 [109-103]	115-110 [115-108]	- [130-127]	- [115-110]	- [130-127]
Euro 6/A [Euro 6/A+]	Euro 6/A [Euro 6/A+]	- [Euro 6/A]	- [Euro 6/A+]	- [Euro 6/A]
50/6.0	50/6.0	56/6.0	50/6.0	56/6.0
421-1235	421-1235	421-1235	421-1235	421-1235
11.84	11.84	11.84	11.84	11.84
1440/530 [1470/500]	1505/530 [1540/495]	- [1595/495]	- [1540/495]	- [1595/495]
1970 [1970]	2035 [2035]	- [2090]	- [2035]	- [2090]
720/1200/1500 [735/1200/1500]	750/1500/1500 [750/1500/1500]	- [750/1800/1800] ⁹	- [750/1500/1500]	- [750/1800/1800] ⁹

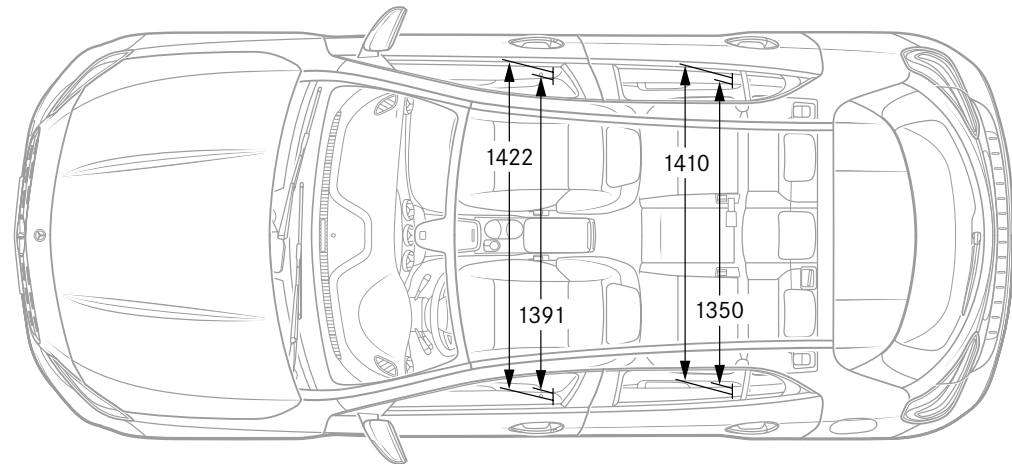
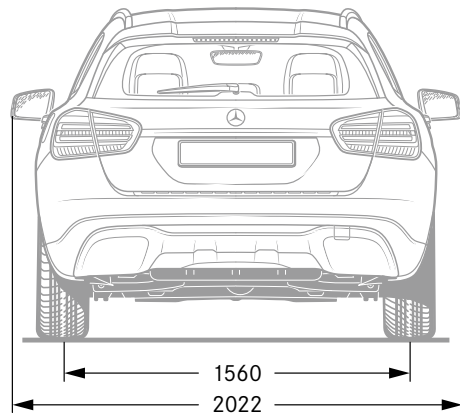
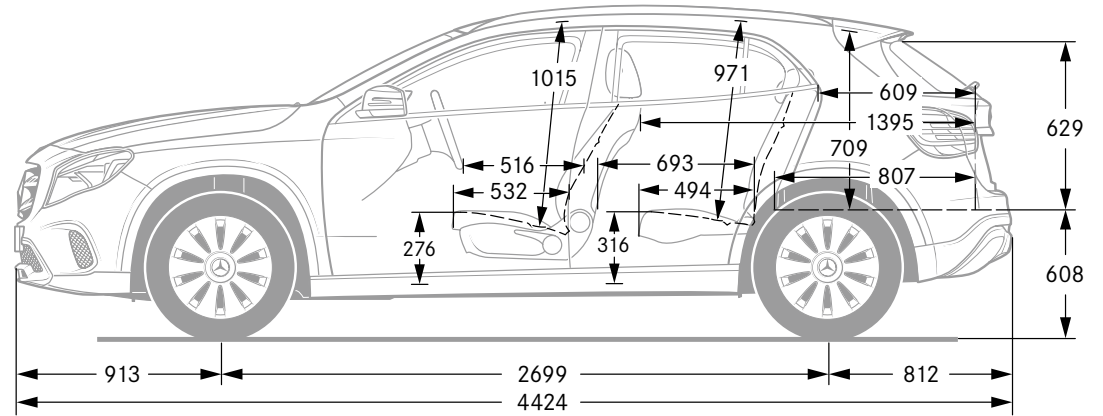
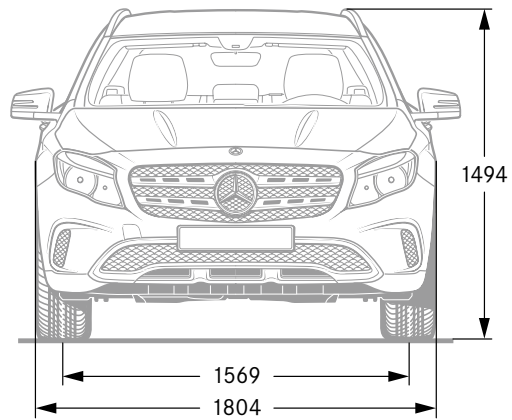
The best for the engine:
Mercedes-Benz genuine engine oils.

¹ Details of rated power and rated torque in accordance with Directive (EC) No. 595/2009 in the currently applicable version. ² Electronically limited. ³ AMG Driver's package (optional). ⁴ The figures shown for the fuel consumption and the CO₂ emissions were obtained in accordance with the prescribed measuring process (§ 2 Nos. 5, 6, 6a Pkw-EnVKV (German Ordinance on Fuel Consumption Labelling) in the currently applicable version). The figures are not based on an individual vehicle and do not constitute part of the product offer; they are provided solely for purposes of comparison between different vehicle models. ⁵ Data applicable within the European Union only. Information may

	Petrol engines					
	GLA 180	GLA 200	GLA 220 4MATIC	GLA 250	GLA 250 4MATIC	Mercedes-AMG GLA 45 4MATIC
Cylinder arrangement/number	4/in-line	4/in-line	4/in-line	4/in-line	4/in-line	4/in-line
Displacement (cc)	1595	1595	1991	1991	1991	1991
Rated output ¹ (kW (hp) at rpm)	90 (122)/5000	115 (156)/5300	135 (184)/5500	155 (211)/5500	155 (211)/5500	280 (381)/6000
Rated torque ¹ (Nm at rpm)	200/1250-4000	250/1250-4000	300/1200-4000	350/1200-4000	350/1200-4000	475/2250-5000
Transmission	6-speed, manual [7G-DCT]	6-speed, manual [7G-DCT]	- [7G-DCT]	6-speed, manual [7G-DCT]	- [7G-DCT]	- [AMG SPEEDSHIFT DCT 7-speed sports transmission]
Acceleration 0 to 100 km/h (secs.)	9.0 [8.7]	8.4 [8.1]	- [7.1]	6.7 [6.6]	- [6.6]	- [4.4]
Top speed (km/h)	200 [200]	215 [215]	- [230]	235 [235]	- [230]	- [250] ² , [270] ³
Tyres/wheels, front	215/60 R 17	215/60 R 17	215/60 R 17	215/60 R 17	215/60 R 17	235/45 ZR 19
Tyres/wheels, rear	215/60 R 17	215/60 R 17	215/60 R 17	215/60 R 17	215/60 R 17	235/45 ZR 19
Fuel	Premium petrol	Premium petrol	Premium petrol	Premium petrol	Premium petrol	Super Plus petrol
Fuel consumption ⁴ (l/100 km)						
Urban	7.8-7.6 [7.4]	7.8-7.7 [7.4]	- [8.7-8.6]	8.2 [7.9-7.7]	- [8.7-8.6]	- [9.6]
Extra-urban	4.9-4.6 [4.9-4.6]	4.9-4.7 [4.9-4.6]	- [5.5-5.3]	5.1-4.9 [5.0-4.6]	- [5.5-5.3]	- [6.1]
Combined	6.0-5.7 [5.8-5.6]	6.0-5.8 [5.8-5.6]	- [6.6-6.5]	6.2-6.1 [6.0-5.8]	- [6.6-6.5]	- [7.4]
CO ₂ emissions ⁴ (g/km) combined	138-133 [135-131]	138-134 [135-131]	- [155-152]	145-142 [140-134]	- [155-152]	- [172]
Emission class ⁵ /efficiency class ⁶	Euro 6/C [Euro 6/B]	Euro 6/C [Euro 6/B]	- [Euro 6/C]	Euro 6/C [Euro 6/B]	- [Euro 6/C]	- [Euro 6/D]
Tank capacity/incl. reserve (l)	50/6.0	50/6.0	56/6.0	50/6.0	56/6.0	56/8.0
Load compartment capacity ⁷ (l)	421-1235	421-1235	421-1235	421-1235	421-1235	421-1235
Turning circle (m)	11.84	11.84	11.84	11.84	11.84	11.84
Kerb weight ⁸ /payload (kg)	1395/545 [1435/505]	1395/545 [1435/505]	- [1505/510]	1435/535 [1460/510]	- [1505/510]	- [1585/520]
Perm. GVW (kg)	1940 [1940]	1940 [1940]	- [2015]	1970 [1970]	- [2015]	- [2105]
Perm. towing capacity unbraked/braked (at 12%)/braked (at 8%) (kg)	695/1200/1500 [715/1200/1500]	695/1400/1500 [715/1400/1500]	- [750/1800/1800] ⁹	715/1500/1500 [730/1500/1500]	- [750/1800/1800] ⁹	- [-]

vary from country to country. ⁴ Determined on the basis of the measured CO₂ emissions, taking into account the mass of the vehicle. ⁷ Figures in accordance with Directive 2007/46/EC in the currently applicable version. ⁸ Figures in accordance with Directive 92/21/EC, in the currently applicable version (kerb weight, fuel tank 90% full, with driver, 68 kg, and luggage, 7 kg) for standard-specification vehicles. Optional extras and accessories will generally increase this figure and reduce the payload accordingly. ⁹ Reduces to 1500 kg in conj. w. AMG Line. Figures in square brackets relate to vehicles with automatic transmissions. Further technical data are available at www.mercedes-benz.com

Dimensions.



All dimensions in millimetres. The dimensions shown are mean values and apply to standard-specification, unladen vehicles.

Upholstery and trim.

Upholstery

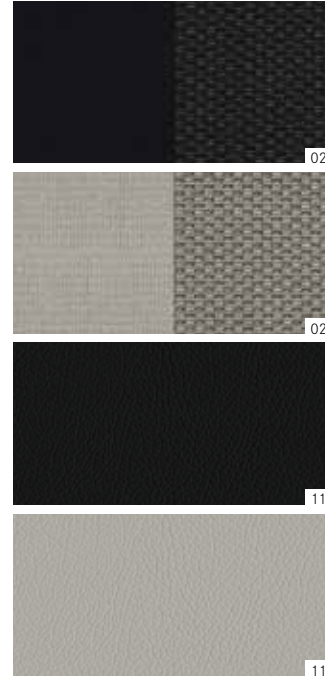
- 021 Coari fabric in black
- 028 Coari fabric in crystal grey
- 105 ARTICO man-made leather in sahara beige¹
- 111 ARTICO man-made leather in black¹
- 118 ARTICO man-made leather in crystal grey¹
- 378 ARTICO man-made leather/Maringá fabric in crystal grey
- 381 ARTICO man-made leather/Maringá fabric in black
- 621 ARTICO man-made leather/Macápá fabric in black
- 625 ARTICO man-made leather/Macápá fabric in sahara beige/black
- 631 ARTICO man-made leather/Macápá fabric in ochre yellow/black
- 651 ARTICO man-made leather/DINAMICA microfibre in black
- 801 Leather, black
- 804 Leather, nut brown
- 811 Leather, black RED CUT
- 831 Leather, black
- 855 Leather, sahara beige/black

Trim

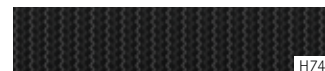
- H74# Carbon fibre look
- H06 Matt black ash wood
- H14 High-gloss brown burr walnut wood
- H19 Satin-finish light brown poplar wood
- H54 Matrix look, black
- H73 AMG carbon fibre
- H79 Light longitudinal-grain aluminium
- H81 Sail look
- H90 AMG Design black/red (not shown)²
- H91 AMG Design black/silver (not shown)³
- H92 AMG DINAMICA microfibre, black
- 739 Trapezium-grain aluminium

¹ Optional extra. ² Standard equipment for Mercedes-AMG GLA 45 4MATIC. ³ Standard equipment for Mercedes-AMG GLA 45 4MATIC in conj. w. Exclusive package.

Standard equipment



Style line¹



Urban line¹



378



381



111



118



105



H81



H79



H73



739

AMG Line¹



651



H79



H06



H73



H92

AMG Exclusive package¹



811



H79



H73



H92

Exclusive package¹



801



804



855



H06



H14



H19



H73



H92

Comfort Exclusive package¹



831



739



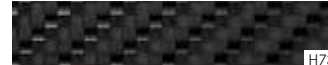
H06



H14



H19



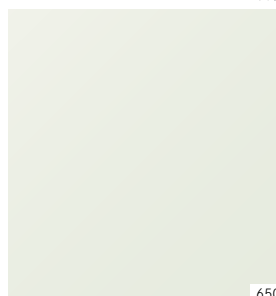
H73

Paintwork.

Non-metallic paints



589



650



696

Metallic paints¹



175



191



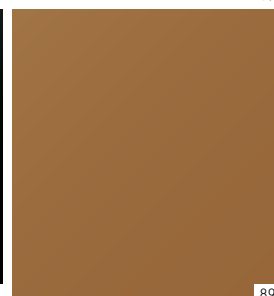
761



787



890



895



990

designo paint¹



662

Non-metallic paints

589 jupiter red

650 cirrus white

696 night black

Metallic paints¹

175 elbaite green

191 cosmos black

761 polar silver

787 mountain grey

890 cavansite blue

895 canyon beige

990 orient brown

designo paint¹

662 designo mountain grey magno

¹ Optional extra.



Mercedes-Benz is one of the founding partners of the “Laureus Sport for Good Foundation”.

Since the foundation was established in 2000, Mercedes-Benz has been supporting and promoting the aims and values of this worldwide non-profit-making programme: to use social sports projects to improve the lives of children and young people who are disadvantaged or suffering from illness. Laureus has become a fundamental element of Mercedes-Benz’s social responsibility. Every new Mercedes is an ambassador embodying these values. In buying a Mercedes you are supporting the “Laureus Sport for Good Foundation”.

Please note: changes may have been made to the product since this brochure went to press (28.11.2016). The manufacturer reserves the right to make changes to the design, form, colour and specification during the delivery period, provided these changes, while taking into account the interests of the vendor, can be deemed reasonable with respect to the purchaser. Where the vendor or the manufacturer uses symbols or numbers to describe an order or the subject of an order, no rights may be derived solely from these. The illustrations may show accessories and items of optional equipment which are not part of standard specification. Colours may differ slightly from those shown in the brochure, owing to the limitations of the printing process. This brochure is distributed internationally. It provides a general indication of the range of models, features, optional extras, colours and/or services available in various countries. For current and more specific information in relation to the range of models, features, optional extras and/or colours available in your country, and their pricing, you should contact your nearest authorised Mercedes-Benz Passenger Car Dealer. www.mercedes-benz.com

Daimler AG, Mercedesstr. 137, 70327 Stuttgart MS/MAC 6701 · 1804 · 02-00/0417

Take-back of end-of-life vehicles. We will be happy to take back your GLA for environment-friendly disposal in accordance with the European Union (EU) End-Of-Life Vehicle Directive. But that day lies a long way off.

A network of vehicle take-back depots and dismantlers has been established to make it as easy as possible to return your vehicle. You can leave it at any of these points free of charge and, by doing so, make an important contribution to completing the recycling process and conserving resources.

For further information about the recycling and disposal of end-of-life vehicles, and the take-back conditions, please visit the national Mercedes-Benz website for your country.