

# Aurion

Luxury in motion.



[toyota.com.au](http://toyota.com.au)

  
*Oh what a feeling!*

# Take a more luxurious drive.

The graceful posture, sleek lines and sophisticated styling make it clear that Aurion is truly a luxurious vehicle.

That sense of understated elegance is only enhanced with the high quality finishes and array of intuitive technology, which make driving a simple and seamless

pleasure. And under the bonnet, the powerful and efficient V6 engine responds with utmost precision.

Aurion is in a class of its own, a vehicle for those who place a premium on sophistication, and wherever they go, choose to go in style.



Front cover: Presara model shown  
This page: Sportivo model shown



## Engineered to be enjoyed.

When you first lay eyes on the Aurion, it's clear this is a car that will get you noticed. From every angle, the sleek, confident profile, speak not just to refined style, but intelligent aerodynamics.

Alloy wheels are available as standard across the Aurion range. The Sportivo comes with head turning 18" black alloy wheels, while the 17" alloy wheels on Presara are pure class in motion.

And the machined face alloy wheels that are optional for Presara, are certain to shine out from the crowd.

Throughout the Aurion range, you'll find individual interpretations of luxury, and a sense of style that perfectly matches your own.

Presara model shown with 18" wheels and sports suspension option



Presara model shown



Ivory Leather Accented interior – Presara model shown

# The height of technological sophistication.

From the moment you step inside the Aurion you're enveloped in luxury. It starts with the opulent interior, and extends right through to the array of clever technologies, such as the keyless Smart Entry and Start system, and the clever electric rear sunshade.<sup>1</sup>

When it comes to sound, Aurion delivers, with an audio system highlighted by an impressive 6.1" touchscreen. Choose the Presara, Sportivo or the AT-X with the Navigation Option Pack and you'll enjoy the JBL premium audio system with 7" touchscreen complete with Digital Radio (DAB+),<sup>2</sup> Satellite Navigation<sup>3</sup> and SUNA™ Traffic Channel.<sup>4</sup> Then connect your smartphone with Toyota Link<sup>5</sup> to find fuel, accommodation, plan trips, receive real time advice, and the latest weather information, all delivered through the audio unit.

Need to make or receive a phone call or change your music? Aurion makes that a seamless experience too – with steering wheel mounted audio controls, and Bluetooth®<sup>6</sup> connectivity for audio streaming and hands-free mobile calls. Then enjoy an easier drive thanks to voice control being fitted as standard across the Aurion range.

- A. Electric rear sunshade – Presara model shown
- B. USB input for audio devices – Presara model shown
- C. Luxurious finishes – Presara model shown
- D. Satellite Navigation – Presara model shown
- E. Smart Start Button



# For the true pleasure of driving.

Every last detail of the Aurion has been designed for comfort, convenience and pleasure. From the dual-zone climate control air conditioning, to the acoustic insulation technology that blocks outside noise, Aurion is a genuine delight to drive.

You'll notice immediately the sense of space – with added legroom in the back seats created through clever sculpting of the door trims and seatbacks. Specially designed for comfort, the rear seats have been shaped for optimum sitting posture, and the driver's seat is equipped with advanced lumbar support for extra comfort, even on those long drives. Right before your eyes, the Optitron instrument panel glows in luxurious blue and white tones, while the full colour 4.2" Multi Information Display (MID) delivers a brighter, sharper view of all you need to know including ECO Drive data of your journey to help you drive with greater efficiency. And with rain sensing wipers on the Presara, the Aurion is a pleasure to drive even in adverse conditions.

A. Optitron instrument panel with Multi Information Display (MID)

B. Rain sensing wipers – Image for illustrative purposes



# There's no playing it safe on safety.

There's nothing quite so important as the safety of everyone on board. Even on the shortest of trips, it's reassuring to know that you're buckling up in a vehicle awarded the maximum 5-star ANCAP safety rating.

Aurion boasts a comprehensive range of active and passive safety features, from Anti-lock Braking System (ABS) to Brake Assist<sup>7</sup> (BA), Traction Control (TRC) to Electronic Brake-force Distribution (EBD), Aurion's intelligent braking system will ensure more control and more stopping power. And with the addition of Vehicle Stability Control (VSC), you can brake through corners with confidence. A Reversing Camera<sup>7</sup> with moving guidelines plus front and rear clearance sensors<sup>7</sup> are standard across the range to help you manoeuvre safely into tight spaces. On Presara and Sportivo, Blind Spot Monitor<sup>7</sup> (BSM) uses radars to inform drivers if vehicles are present in their blind spots and the Rear Cross Traffic Alert<sup>7</sup> (RCTA) uses the same sensors to warn you of approaching traffic when reversing out of a parking space.

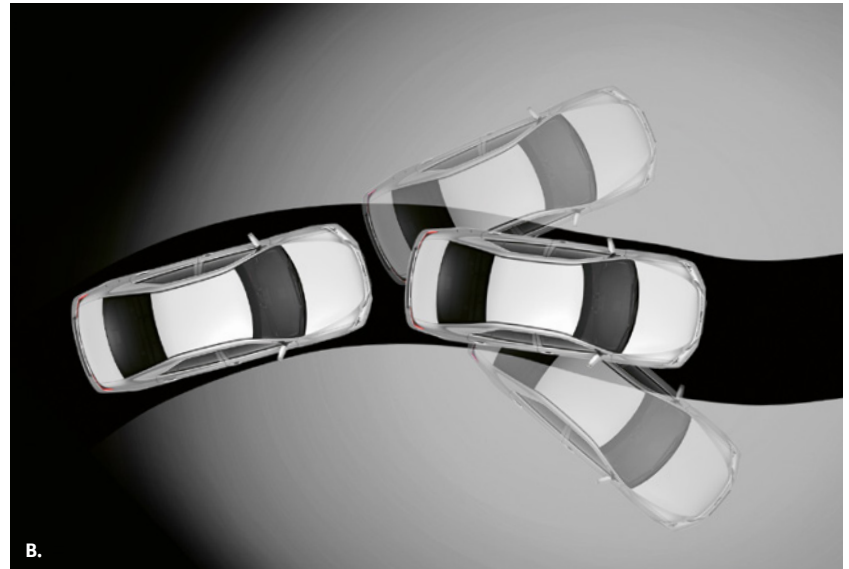
With the extra safety of seatbelt warning indicators across the range, you can enjoy peace of mind behind the wheel. And should a collision ever occur, you and your passengers will be protected from every direction with seven SRS airbags.

A. Seven SRS airbags – Image for illustrative purposes

B. Traction Control (TRC) and Vehicle Stability Control (VSC) – Image for illustrative purposes



A.



B.





3.5 litre Dual VVT-i V6 engine

## Superior performance, delivered powerfully.

Beneath the sleek lines of Aurion's bonnet you'll find an advanced 3.5 litre Dual VVT-i V6 engine capable of an impressive 200kW<sup>9</sup>. Highly responsive, and smoothly delivered, it's a sense of power and poise that brings enjoyment to even the most mundane journeys. And it's all achieved with a combined fuel efficiency of just 9.3L/100km<sup>9</sup>.

But the performance doesn't stop under the bonnet. The suspension has been specifically tuned to improve driving performance and enhance the handling as well as being matched to bring out the best in the 18" alloy wheels, standard on the Sportivo grade. Shift gears with ease, with a smooth and efficient automatic 6-speed sequential shift transmission. Plus, in Sportivo, you'll enjoy quick response sports paddle-shift technology, for faster gear changes and a more exciting, dynamic drive.



**Quick response sports paddle-shift**  
– Sportivo model shown

# Every style of luxury.

From the effortless excellence of the AT-X, to the uncompromising class of the Presara, to the ultimate sports luxury of the Sportivo, there's an Aurion for every taste, and every style.



## AT-X

Big on comfort and style, Aurion AT-X includes:

- 3.5 litre V6 petrol engine
- 200kW<sup>9</sup> power output
- 6-speed sequential shift transmission
- 17" alloy wheels with full size spare
- Dual exhaust
- Driver and passenger's vanity mirror illumination
- Acoustic windshield
- Driver's seat – electrically adjustable with lumbar support
- Exterior mirrors with side indicators
- Dual-zone climate control air conditioning
- Cruise Control
- Multi Information Display (MID) with 'ECO' indicator
- Optitron instrument panel
- Steering wheel mounted controls
- AUX / USB input with iPod<sup>®10</sup> connectivity
- 6.1" touchscreen audio, single CD player, AM/ FM tuner and Bluetooth<sup>®6</sup>
- Smart Entry and Start system
- Electric Power Steering (EPS)
- Auto-on/off headlamps
- Anti-lock Braking System (ABS) with Electronic Brake-force Distribution (EBD) and Brake Assist<sup>7</sup> (BA)
- Vehicle Stability Control (VSC) and Traction Control (TRC)
- Reversing Camera<sup>7</sup> with moving guidelines
- Front and rear clearance sensors<sup>7</sup>
- ISOFIX child restraints
- Optional Navigation Pack – Satellite Navigation<sup>3</sup> with Toyota Link,<sup>5</sup> Digital Radio (DAB+),<sup>2</sup> 7" touchscreen, JBL premium audio, and electric rear sunshade



## Sportivo

The ultimate in sports luxury, Sportivo includes all of the features of AT-X, as well as:

- Quick response sports paddle-shift
- Sports suspension
- 18" black alloy wheels
- Sports body kit including front spoiler and side/rear skirts
- Rear lip spoiler
- LED headlamps and front fog lamps
- Sports Leather Accented seats
- Sports pedals
- Premium 3-spoke steering wheel
- Electric rear sunshade
- Blind Spot Monitor<sup>7</sup> (BSM) with Rear Cross Traffic Alert<sup>7</sup> (RCTA)
- Power adjustable driver's seat with memory function
- JBL premium audio with 7" touchscreen, Digital Radio (DAB+),<sup>2</sup> Satellite Navigation<sup>3</sup> and SUNA<sup>TM</sup> Traffic Channel<sup>4</sup>
- Optional moonroof – glass tilt and slide



## Presara

The ultimate in sophistication and uncompromised style, Presara includes all of the features of AT-X, as well as:

- 17" alloy wheels
- Rear lip spoiler
- Leather Accented interior and premium door trim
- Power adjustable driver's seat with memory function
- Premium front scuff plates
- Chrome door handles
- Moonroof – glass tilt and slide
- LED headlamps and front fog lamps
- Automatic high beam
- Rain sensing wipers
- JBL premium audio with 7" touchscreen, Digital Radio (DAB+),<sup>2</sup> Satellite Navigation<sup>3</sup> and SUNA™ Traffic Channel<sup>4</sup>
- Electric rear sunshade
- Blind Spot Monitor (BSM)<sup>7</sup> with Rear Cross Traffic Alert (RCTA)<sup>7</sup>
- Lane Departure Alert<sup>7</sup>
- Optional wheel package – 18" alloy wheels, sports suspension

# Now to make it yours.

To give your own personal touch to your Aurion, we've selected a palette of eight dynamic colours for you to choose from.



A.



B.



C.



D.



E.



F.



G.



H.

- A. Indigo<sup>11</sup> 8W6
- B. Diamond White 061
- C. Crystal Pearl<sup>11</sup> 070
- D. Silver Pearl<sup>11</sup> 1F7
- E. Magnetic Bronze<sup>11</sup> 4S2
- F. Graphite<sup>11</sup> 1G3
- G. Cherry 3P0
- H. Eclipse Black<sup>11</sup> 218

# The finishing touches.

To complement your sense of style, each Aurion model comes with its own range of premium finishes and trims. Whether you prefer the sports-inspired Black and Raizen Leather accented trim on Sportivo, or the Ivory or Black Leather Accented seats on the Presara model, you'll love every inch of your Aurion.

## COLOUR GUIDE

Grade	Interior Seat Trim	Interior Finish	Diamond White	Crystal Pearl <sup>11</sup>	Silver Pearl <sup>11</sup>	Graphite <sup>11</sup>	Magnetic Bronze <sup>11</sup>	Cherry	Indigo <sup>11</sup>	Eclipse Black <sup>11</sup>
<b>AT-X</b>	Black Shadowflex Fabric (FA20)	Silver	•		•	•	•		•	•
<b>Sportivo</b>	Black and Raizen Leather Accented (LB21)	Sports Mesh	•		•	•		•	•	•
<b>Presara</b>	Ivory Leather Accented (LA00) or Black Leather Accented (LA20)	Dark Woodgrain- look		•	•	•	•		•	•



Presara model with Ivory Leather Accented interior shown



AT-X model shown



# Personalise your drive

Make the best better and add extra style to your Aurion with Toyota Genuine Accessories<sup>1,2</sup>. Choose your favourite accessories and make your Aurion even more stylish to own and drive.

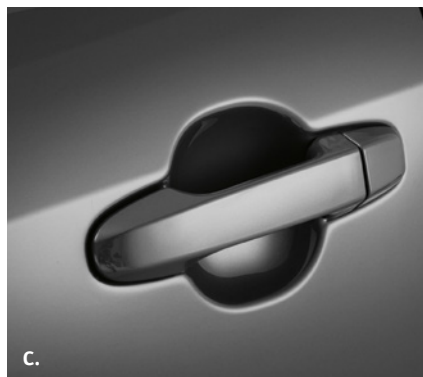
- A. Headlamp Covers and Bonnet Protector** (Sold separately)
- B. Slimline Weathershields**
- C. Door Handle Protection Film**
- D. Front Fabric Seat Covers**  
Not compatible with Leather Accented seats
- E. Bootliner**



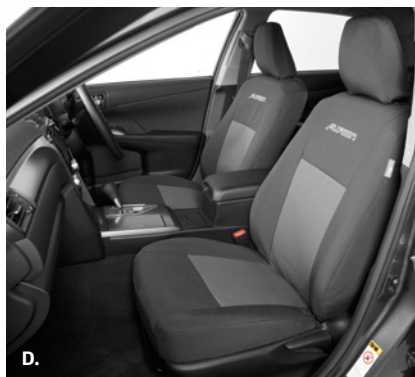
A.



B.



C.



D.



E.



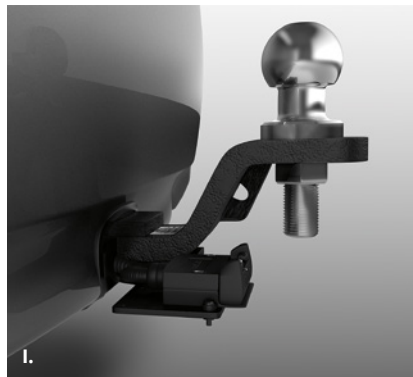
F.



H.



G.



I.

- F. Roof Racks**
- G. Bicycle Carrier**  
(Roof Racks sold separately)
- H. 17" Alloy Wheels**
- I. Towbar, Towball and Trailer  
Wiring Harness<sup>13</sup> (Sold separately)**

MECHANICAL SPECIFICATIONS				
<b>Engine</b>	Engine code and description	2GR-FE 3.5 litre V6 petrol engine		
	Valve mechanism	24-valve Double Overhead Camshaft (DOHC), with Dual Variable Valve Timing with intelligence (VVT-i)		
	Max power <sup>8</sup>	200kW @ 6200rpm		
	Max torque <sup>8</sup>	336Nm @ 4700rpm		
	Bore x Stroke	94.0 X 83.0mm		
	Compression ratio	10.8 : 1		
<b>Fuel</b>	Fuel type octane no. (Minimum recommended)	91 RON unleaded petrol		
	Fuel economy – ADR81/02 combined cycle <sup>9</sup>	9.3L/100km		
	Emissions – combined CO <sub>2</sub> <sup>9</sup>	215g/km		
<b>AURION MODEL</b>		<b>AT-X</b>	<b>SPORTIVO</b>	<b>PRESARA</b>
<b>Transmission</b>	Transmission	6-speed automatic transmission with sequential shift		
	Quick response sports paddle-shift		•	
<b>Steering, Brakes and Suspension</b>	Tilt and reach adjustable steering wheel	•	•	•
	Electric Power Steering (EPS)	•	•	•
	Brakes – front ventilated disc and rear solid disc	•	•	•
	Front suspension – MacPherson strut type with stabiliser bar	•	•	•
	Rear suspension – dual link type with stabiliser bar	•	•	•
	Sports suspension		•	Optional
	Park brake – pedal type	•	•	•
<b>Wheels</b>	Design and style	17" alloy	18" black alloy	17" alloy
	Spare wheel	17" alloy	16" steel – temporary	17" alloy
	Tyre size	215/55 R17	225/45 R18	215/55 R17

AURION MODEL		AT-X	SPORTIVO	PRESARA
<b>Dimensions<sup>14</sup> and Weights (Approximate)</b>	Overall length (mm)	4835	4855	4835
	Overall width (mm)	1825	1825	1825
	Overall height (mm)	1470	1470	1470
	Wheelbase (mm)	2775	2775	2775
	Kerb to kerb turning circle (mm)	11000	11400	11000
	Kerb weight (kg) <sup>14</sup>	1505-1525	1525-1555	1530-1550
	Gross vehicle weight (kg) <sup>14</sup>	2100	2100	2100
	Gross trailer weight, braked/unbraked (kg)	1600/500	1600/500	1600/500
<b>Capacities</b>	Fuel tank capacity (L)	70	70	70
	Seating capacity	5	5	5
<b>Exterior</b>	Dual exhaust	•	•	•
	Exterior door handles colour	Body colour	Body colour	Chrome
	Electrically adjustable exterior mirrors with side indicators	•	•	•
	Rear garnish and rocker molding colour	Body colour	Body colour	Chrome
	Exterior mirrors with automatic dipping in reverse		•	•
	Sports grille	•	•	
	Sports body kit including front spoiler and side/rear skirts		•	
	Rear lip spoiler		•	•
	LED fog lamps		•	•
	LED headlamps (Low beam)		•	•
	Auto-on/off headlamps	•	•	•
<b>Interior</b>	Smart Entry and Start system	•	•	•
	Dual-zone automatic climate control air conditioning	•	•	•
	Power windows – front and rear	•	•	•

AURION MODEL		AT-X	SPORTIVO	PRESARA
<b>Interior</b> <i>continued</i>	Acoustic windshield	•	•	•
	Electric rear sunshade	Optional	•	•
	Electro chromatic rear-view mirror			•
	Driver and passenger's vanity mirror illumination	•	•	•
	Rain sensing wipers			•
	Cruise Control	•	•	•
	Premium steering wheel	•	•	•
	Premium shift lever	•	•	•
	Premium front scuff plates		•	•
	Sports pedals		•	
	Driver's seat – electrically adjustable with lumbar support	•	•	•
	Front passenger seat – electrically adjustable		•	•
	Driver's seat memory		•	•
	Sports Leather Accented seats		•	
	60/40 split fold rear seats	•	•	•
Moonroof – glass tilt and slide		Optional	•	
<b>Instruments and Controls</b>	Multi Information Display (MID) including Trip A & B odometer (km), outside temperature (°C), fuel range (km), fuel consumption (L/100km) <sup>9</sup> , average speed (km/h)	•	•	•
	Automatic high beam			•
	Optitron instrument panel	•	•	•
<b>Storage</b>	Lockable glove box	•	•	•
	Centre console with sliding lid and storage recess x 2	•	•	•
	Sunglass holder – front overhead console	•	•	•
	Door pocket – driver and front passenger	•	•	•
	Seat back storage pocket – behind passenger seat	•	•	•
	Beverage holders – 2 x front, 2 x front door pocket, 2 x rear armrest, 4 x rear door pocket	•	•	•

AURION MODEL		AT-X	SPORTIVO	PRESARA
<b>Entertainment</b>	6.1" touchscreen, AM/FM tuner, CD, 6 speakers, AUX/ USB, voice recognition	•		
	JBL premium audio with 7" touchscreen, Digital Radio (DAB+) <sup>2</sup> , Satellite Navigation <sup>3</sup> and SUNA™ Traffic Channel <sup>4</sup>	Optional	•	•
	3.5mm AUX / USB input with iPod <sup>®10</sup> connectivity	•	•	•
	Speakers	6	10	10
	Steering wheel mounted audio controls	•	•	•
	Toyota Link <sup>5</sup>	•	•	•
	Hands-free Bluetooth <sup>®6</sup> with media streaming	•	•	•
<b>Safety</b>	Blind Spot Monitor <sup>7</sup> (BSM) with Rear Cross Traffic Alert <sup>7</sup> (RCTA)		•	•
	Anti-lock Braking System (ABS) with Electronic Brake-force Distribution (EBD) and Brake Assist (BA) <sup>7</sup>	•	•	•
	Vehicle Stability Control (VSC) and Traction Control (TRC)	•	•	•
	Lane Departure Alert <sup>7</sup> (LDA)			•
	Reversing Camera <sup>7</sup> with moving guidelines	•	•	•
	Front and rear clearance sensors <sup>7</sup>	•	•	•
	Child seat anchorage points x 3	•	•	•
	ISOFIX child restraints	•	•	•
	Seven SRS airbags – dual front, front side and full length curtain airbags and driver's knee airbag	•	•	•
	Seatbelt warning buzzer and lights for all occupants	•	•	•
3-point seatbelt for all occupants (driver and front passenger with pre-tensioner and force limiter)	•	•	•	
<b>Security</b>	Immobiliser	•	•	•
	Alarm system	•	•	•
	Remote central locking including boot release on remote	•	•	•
	Speed sensing auto door lock	•	•	•
<b>Options<sup>15</sup></b>	18" sport alloy wheels (with 16" steel temporary spare) and sports suspension			•
	Moonroof – glass tilt and slide		•	
	Navigation Pack – 7" touchscreen with Satellite Navigation, Toyota Link, <sup>5</sup> Digital Radio (DAB+), <sup>2</sup> JBL premium audio and electric rear sunshade	•		



## The Toyota Advantage.

Every Toyota gives you a lifetime of advantages. That's what makes it a Toyota. You'll enjoy legendary Toyota value from the moment you drive away, and you'll continue to appreciate the quality, safety and innovation that's engineered into each model, every day you drive.

Discover the full range of products and services and find your nearest Dealer at [toyota.com.au](http://toyota.com.au)

### **A smarter way to buy.**

Toyota Access puts you in complete control when buying a new car.<sup>16</sup> Drive out of the Dealership with a clear road ahead then drive back a few years later with more options at your disposal than ever before. Whatever stage you're at in life, Toyota Access puts you in the driver's seat with ongoing flexibility and assurance. To discover Toyota Access for yourself visit [toyota.com.au/access](http://toyota.com.au/access)

### **Capped price servicing.<sup>17</sup>**

A new Toyota means you don't have to worry about unexpected service costs. Every Toyota comes with a low, capped price service cost for a set number of years/kilometres. Pay the same low capped price from one eligible logbook service to the next for up to four years or 75,000km, whichever occurs first (including Genuine parts, labour and fluids). For the full benefits consult a Toyota Dealer or visit [toyota.com.au/advantage](http://toyota.com.au/advantage)

### **We've got your back.**

Every new Toyota is built to exceptional standards, backed by a three year/100,000km<sup>18</sup> warranty, giving you the peace of mind to feel confident for years to come. In the unlikely event that you need them, every Toyota Service Centre is committed to providing any warranty repairs you may need. They have the technology, the tools, and the skilled personnel to keep your Toyota in excellent condition.

### **Finance to get you going.**

If you need a little help, Toyota Finance<sup>19</sup> can offer you a wide range of vehicle financing. With Toyota Finance, you'll have the peace of mind of dealing with one of Australia's leading vehicle finance corporations with over 30 years experience. And with a range of flexible products and services to suit almost every need and circumstance, Toyota Finance can help find the right package for you or your business.

### **Even more protection.**

Our Comprehensive Motor Vehicle insurance policy is packed with great benefits including; agreed value cover, new vehicle replacement if your Toyota is written off within the first 3 years, Genuine Parts Promise and a Lifetime Repair Guarantee on repairs authorised by Toyota Insurance.<sup>20</sup> And our Toyota Insurance Factory Approved Extended Warranty Insurance provides protection that continues after your Toyota New Vehicle Warranty ends.

### **Extend your peace of mind.**

Whether it's a flat tyre, lost keys or a flat battery, Toyota Extra Care Roadside Assist is never more than a phone call away. Available 24 hours a day, seven days a week, every day of the year, you'll have peace of mind, whatever your emergency.<sup>21</sup>

# Disclaimers and Notice.

- 1 Presara and Sportivo models only.
- 2 Digital radio station coverage dependent on vehicle location.
- 3 Current navigation mapping database encompasses major capital and primary national road networks and offers some coverage in regional areas.
- 4 SUNA™ GPS Traffic Updates are only available in metropolitan Adelaide, Brisbane, Canberra, Gold Coast, Melbourne, Perth and Sydney; it operates from information provided by Intellematics Australia and may not cover all road incidents and congestion. See [sunatrafic.com.au](http://sunatrafic.com.au) for details.
- 5 Toyota Link is available on certain vehicle models and grades only. Toyota Link services rely on data from the driver's compatible mobile phone and information provided by third parties. Availability is dependent on a number of factors, including the availability of third party information, mobile service, sufficient mobile data allowance and GPS satellite signal reception. Mobile usage is at the user's cost. Toyota Australia reserves the right to add, remove or modify applications. Further information is provided at [toyota.com.au/toyotalink](http://toyota.com.au/toyotalink)
- 6 The Bluetooth® word mark is owned by Bluetooth SIG, Inc. Not all devices will be compatible and functionality varies depending on the device.
- 7 Reversing Camera/Park Assist/Front and rear sensors/Lane Departure Alert/Rear Cross Traffic Alert/Brake Assist/Blind Spot Monitor is a driver assist feature only and should not be used as a substitute for safe driving practices. Driver remains responsible at all times for safe driving.
- 8 Power and torque test standards differ. Ensure comparisons use same test standard.
- 9 Results achieved in test conditions. Actual results may vary depending on driving conditions/style, vehicle condition and options/accessories fitted. Fuel consumption data provided for comparison purposes only. Source: ADR81/02.
- 10 iPod® and iPhone® are trademarks of Apple, Inc. Not all devices will be compatible and functionality will vary depending on the device.
- 11 Paint featured is an optional extra available at additional cost. Not all colours available on all models, see colour guide for details of availability.
- 12 Toyota Genuine Accessories are not applicable to all models/grades. Consider the mass of your load to ensure you will not exceed the maximum allowable individual axle capacity, Gross Vehicle Mass and/or Gross Combined Mass of the vehicle. Refer to the current Accessories brochure or visit [toyota.com.au](http://toyota.com.au) for details on warranty and [toyota.com.au/vehiclepayload](http://toyota.com.au/vehiclepayload) for details on vehicle payload, to help determine Accessories suitable for your vehicle. Accessory colours shown may vary from actual colour due to the printing process.
- 13 Towing capacity is subject to regulatory requirements, towbar and vehicle design and towing equipment limitations. Ask your Dealer for Toyota Genuine Towbar capacity and availability details.
- 14 Gross Vehicle Mass (GVM) is the total permissible combined weight of the vehicle, including occupants, fuel & cargo. Vehicle weights/mass and dimensions

## IMPORTANT NOTICE – PLEASE READ:

Toyota Genuine Accessories are not applicable to all models/grades. Consider the mass of your load to ensure you will not exceed the maximum allowable individual axle capacity, Gross Vehicle Mass and/or Gross Combined Mass of the vehicle. Refer to the current Accessories brochure or visit [toyota.com.au](http://toyota.com.au) for details on warranty

Toyota Australia has used its best endeavours to ensure material is accurate at the time of printing. All information must be confirmed with your Toyota Dealer at the time of ordering, as specifications and details will change over time. Colours displayed are a guide only and may vary from actual colours. To the extent permitted by law, Toyota Australia will not be liable for any damage, loss or expense incurred as a result of reliance on the

information and photos contained in this material. Material distributed in Western Australia by or on behalf of Prestige Motors Pty Ltd (for vehicles) and by Eastpoint Pty Ltd (for parts/accessories). Toyota Australia makes no warranties regarding (and will not be liable for) accuracy of materials distributed in Western Australia. PROOF HQ: T2017-007697, SEPTEMBER 2017. GTP1759.

- 15 Optional extra at additional cost.
- 16 Terms and Conditions, fees and charges apply. Toyota Access Guaranteed Future Value products are available to approved customers of Toyota Finance, a division of Toyota Finance Australia Limited ABN 48 002 435 181, AFSL and Australian Credit Licence 392536.
- 17 Maximum payable for standard scheduled logbook servicing (normal operating conditions) until first of four years or 75,000km (whichever occurs first), up to the first six services. Excludes Government & Rental vehicles. Contact your Toyota Dealer or go to [toyota.com.au/advantage](http://toyota.com.au/advantage) for other exclusions, eligibility and full details.
- 18 New Vehicle Warranty expires three years from date of first delivery or 100,000km, whichever occurs first. Refer to the warranty conditions. The New Vehicle warranty does not limit and may not necessarily exceed your rights under the Competition and Consumer Act 2010.
- 19 Approved applicants only. Terms and conditions apply. Toyota Finance is a division of Toyota Finance Australia Limited ABN 48 002 435 181, AFSL and Australian Credit Licence 392536.
- 20 Terms and conditions apply. This advice is general in nature and does not take into account your objectives, financial situation or needs. Before making a decision to purchase any of the insurance products you should consider the appropriateness of the advice taking into account your own objectives, financial situation and needs and refer to the current PDS for the relevant product available from participating Dealers, via our website at [toyotainsurance.com.au](http://toyotainsurance.com.au) or by calling 137 200. Toyota Insurance purchased in a dealership or via the Toyota Insurance National Customer Solutions Centre is issued by Toyota Finance Australia Limited (TFAL) ABN 48 002 435 181, AFSL and Australian Credit Licence 392536. The insurer is Aioi Nissay Dowa Insurance Company Australia Pty Ltd ABN 11 132 524 282, AFSL 443540 (Adica). If Toyota Insurance is purchased online, the issuer and insurer is Adica. Our warranty insurance policies do not change or take away your rights under the Australian Consumer Law. Your right to claim under our warranty insurance policies for the benefits covered are in addition to other rights and remedies you have under the law in relation to your vehicle. However, you can choose to make a claim under any of our warranty insurance policies even if you have rights under the law.
- 21 Toyota Extra Care is administered by Toyota Finance, a division of Toyota Finance Australia Limited ABN 48 002 435 181, AFSL and Australian Credit Licence 392536

and [toyota.com.au/vehiclepayload](http://toyota.com.au/vehiclepayload) for details on vehicle payload, to help determine Accessories suitable for your vehicle. Accessory colours shown may vary from actual colour due to the printing process.

information and photos contained in this material. Material distributed in Western Australia by or on behalf of Prestige Motors Pty Ltd (for vehicles) and by Eastpoint Pty Ltd (for parts/accessories). Toyota Australia makes no warranties regarding (and will not be liable for) accuracy of materials distributed in Western Australia. PROOF HQ: T2017-007697, SEPTEMBER 2017. GTP1759.





Sportivo model shown