

# The GLE Coupé



Mercedes-Benz



This Brochure is prepared by Mercedes-Benz Group AG and it predominantly reflects the capabilities and performance of vehicles sold in Europe. Some characteristics, capabilities, performance features and optional extras (e.g. towing systems) may not be available or may not apply in Australia or under Australian conditions. The information in this Brochure is therefore indicative, illustrative and provided only for guidance and should not be relied on. To obtain current and accurate information on a vehicle and any options applicable to Australia, contact your local authorised Mercedes-Benz dealer. The declared fuel and energy consumption figures are determined by testing under standardised laboratory conditions to comply with ADR 81/02. Real world fuel consumption is influenced by many additional factors such as fuel quality, individual driving style, load, traffic, and vehicle condition. The declared fuel consumption figure should only be used for the purpose of comparison amongst vehicles.



## Ready to make your mark?

Then take a seat. The new GLE Coupé is just made to let itself go and take every corner of the world by storm. With its sensationally sporty design. A revolutionary new cockpit. And a fully active suspension\* that sets the benchmark in its class.

\*Active suspension system is standard on all AMG variants. Available as optional equipment for all other variants.



Some personalities  
are hard to miss.

The new GLE Coupé really stands out. With a sensational design that is more sporty and stylistically confident than ever. A less upright windscreen, low body and sloping rear line form the elegant silhouette. Wheels\* of up to 55.9 cm (22 inches) in size emphasise the SUV character of the GLE Coupé.

\* 22 inch wheels are standard on the GLE 63 S. Available as optional equipment for all other variants.



## Exhilaration for all the senses.

Inside you are welcomed by two large, fully digital instruments that share the same elegant glass cover. Also new are the high-quality seats which give the driver and front passenger tangibly more support, allowing even more dynamic motoring without compromising on comfort.

\*AMG Black ARTICO/ DINAMICA Upholstery is not available in Australia.



Get in. Then get out  
feeling more relaxed.

You can choose from 64 ambient colours as well as a range of different interior fragrances and massage programmes in the new GLE Coupé. Or activate an ENERGIZING\* programme such as "Vitality", in which case all these comfort features are coordinated automatically.

\*Energizing Package is standard on the GLE 63 S, optionally available on the GLE 53 and not available on the GLE 450.

The new GLE Coupé.  
An expression of inner strength.





## Head-up display.

The best outlook for sporty driving enjoyment and an assured driving experience: the head-up display transforms your windscreen into a stunning digital cockpit. This means you always have a direct view of key information. Your full attention remains on the road and the traffic conditions in front of you.

## Driving Assistance package Plus\*.

The Driving Assistance package Plus offers maximum comfort and safety on the road to autonomous driving. As a supplement to the Driving Assistance package you get Active Stop-and-Go Assist, which takes the strain off you on motorways. A further benefit of this package is PRE-SAFE® Impulse Side, which can provide additional protection in side-on collisions caused by other road users.

\*Standard on GLE 63 S and not available on other variants.



## Widescreen Cockpit.

Inspirational design meets a fully digital display with flexible presentation options: the Widescreen Cockpit enables information to be truly experienced. The desired content can be positioned individually and the host of functions controlled intuitively thanks to touch technology.

## MBUX Augmented Reality Navigation\*.

To enable you to find your way in complex traffic situations, MBUX Augmented Reality Navigation connects the virtual world with the real world. The technology incorporates graphical navigation instructions and traffic information into live images. So you reach your destination quickly, safely and stress-free.

\*Available as optional equipment as part of the Innovation Package.



Brushed aluminium trim is not available in Australia.



## ENERGIZING package Plus\*.

The ENERGIZING package Plus is unique. It provides the highest level of comfort for all the senses. To this end, a maximum of premium features are combined with innovative intelligence. The result is quite fascinating: your Mercedes can vitalise and cosset you in specific ways.

\*Energizing Package is standard on the GLE 63 S, Optionally available on the GLE 53 and Not available on the GLE 450.

## Burmester® high-end 3D surround sound system\*\*.

Sound on a par with that of luxury home music systems. Speakers in the roof liner compose a three-dimensional sound. They conduct the system like your personal orchestra – with VIP settings for individual seats or style settings such as “Live” or “Easy Listening”.

\*\*Burmester® high-end 3D surround sound system is optionally available on the GLE 63 S only.

## MULTIBEAM LED headlamps.

Giving you perfect visibility: the adaptive MULTIBEAM LED headlamps with individually controllable LEDs react to the traffic situation. Partial main beam blocks out other road users without dazzling them. When the road is clear, ULTRA RANGE Highbeam increases the range by 150 metres. The cornering and active light functions also light up the field of vision in optimal style.

## Wheels\*\*\*.

Another highlight: wheels of up to 55.9 cm (22 inches) in size clearly emphasise the SUV character of the new GLE Coupé.

\*\*\*22 inch wheels are is standard on the GLE 63 S. Available as optional equipment for all other variants.



## The AMG Line.

Expressive styling for an impressive appearance: the AMG Line exterior sharpens the sporty character of your vehicle and clearly differentiates it from the base model. The visual effects make your vehicle look lower and more dynamic, allowing you to make a clear statement in support of powerful design. The AMG Line interior lends your vehicle a more visible and tangible sense of sportiness. As such you can make a tasteful statement and demonstrate your passion for an ambience which is dynamic and exclusively designed, down to the finest detail.



## The Night package.

More character – expressive style. In combination with the AMG Line, the Night package adds striking highlights in the form of exclusive black design features. These accentuate the sporty character and athletic design idiom of your vehicle. Ideal for individualists who appreciate an expressive design.



# Not an SUV. An AMG.

Every Mercedes-AMG is a masterpiece in its own right, with an unmistakable character. What unites our performance vehicles and sports cars is their irrepressible sporting spirit. Their passion for top performance. It is generated at the point where engineering skill meets a very special attitude: the spirit of AMG. We believe that you have to keep on challenging limits in order to achieve new goals. We accept nothing as a given. Because limits are imposed by people, and it's also people who can overcome them. It's this attitude that enables us to achieve outstanding performance for motor racing – and for the road.

Welcome to the world of AMG.

[www.mercedes-amg.com](http://www.mercedes-amg.com)

**AMG**  
DRIVING PERFORMANCE



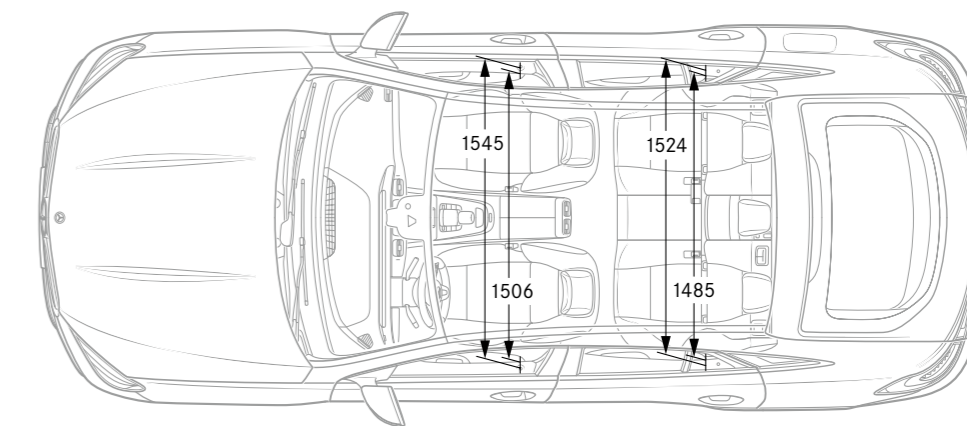
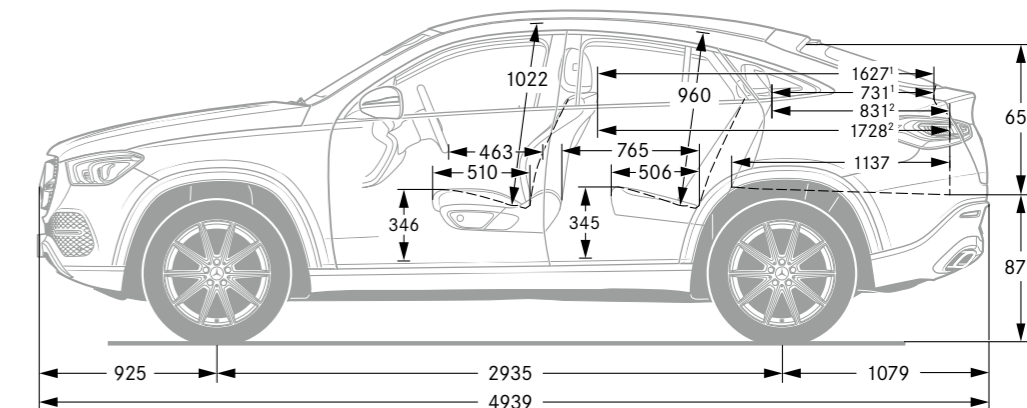
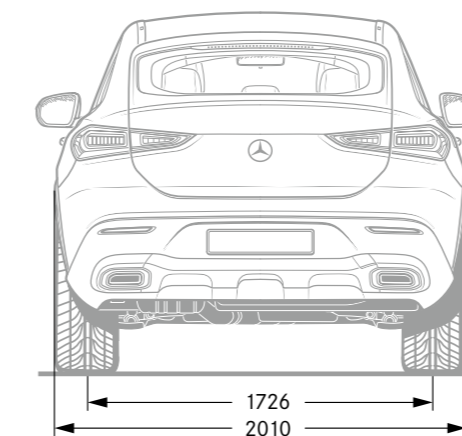
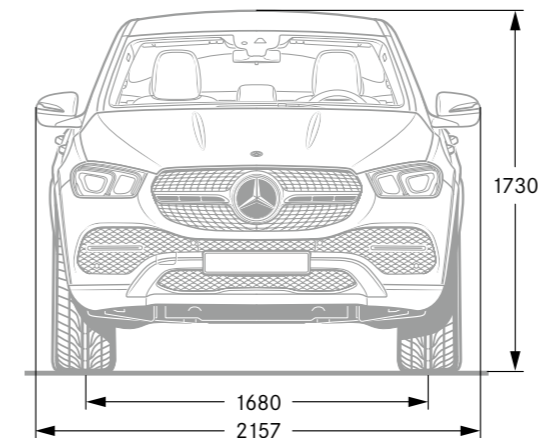
## Technical data.

	Petrol engines		
	GLE 450	GLE 53	GLE 63 S
Displacement (cc)	2999	2999	3982
Rated output <sup>1</sup> (kW [hp] at rpm)	270 [367]	320 [435]	450 [612]
Acceleration from 0 to 100 km/h (s)	5.7	5.3	3.8
Fuel consumption <sup>4</sup> (l/100 km)			
Urban	11.7	11.7	17.5
Extra-urban	7.9	7.9	9.8
Combined	9.2	9.3	12.6
Combined CO <sub>2</sub> emissions <sup>4</sup> (g/km)	213	212	286

The best for the engine:  
Mercedes-Benz genuine engine oils.

The declared fuel and energy consumption figures are determined by testing under standard laboratory conditions to comply with ADR 81/02. Real world fuel consumption is influenced by many additional factors such as fuel quality, individual driving style, load, traffic, and vehicle condition. The declared fuel consumption figure should only be used for the purpose of comparison amongst vehicles. For more technical data, please visit [www.mercedes-benz.com.au](http://www.mercedes-benz.com.au).

## Dimensions.



<sup>1</sup> Up to parcel shelf connecting edge. <sup>2</sup> Below the parcel shelf. All figures in millimetres. The illustrated dimensions are averages. They are valid for vehicles in basic specification and in unladen condition.



# SPORT — F O R — GOOD

Mercedes-Benz AG is one of the founding partners of the worldwide “Laureus Sport for Good Foundation”, which was established in 2000. It is the Mercedes-Benz brand’s most important social initiative. Laureus Sport for Good supports children and young people in need through social sports projects, opening up new perspectives and imparting important values such as team spirit, respect and determination. “Change the Game for Kids” is our mission statement which we wish to share with you. In buying a Mercedes-Benz you are supporting the “Laureus Sport for Good” movement.

**Please note:** Please note: changes may have been made to the product since the editorial deadline (15.05.2019). The manufacturer reserves the right to make changes to the design, form, colour and the product specification during the delivery period, provided these changes, while taking into account the interests of the vendor, can be deemed reasonable

with respect to the purchaser. The illustrations may show accessories and items of optional equipment which are not part of standard specification. This publication is distributed internationally. For current and more specific information, please contact your nearest authorised Mercedes-Benz retailer. [www.mercedes-benz.com.au](http://www.mercedes-benz.com.au)