

The C-Class Coupé



Mercedes-Benz





Never stop improving.

Only the best of its kind have this drive: to become even better every day. It's written all over the face of the new C-Class. Ultramodern MULTIBEAM LED headlamps and the powerfully sporty design of the AMG Line want one thing only: onwards and upwards.







In top form When it really matters.

It's that special flair that sets great athletes apart. The AMG Line shows the new C-Class Coupé in top form. With its new front and rear apron, it looks more athletic than ever. There are also the exciting, innovative MULTIBEAM LED headlamps and new paint colours: the sporty, distinctive graphite grey metallic, for instance.

The image shows the driver's side interior of a Mercedes-Benz car. The steering wheel is black with a perforated grip and features the Mercedes-Benz logo in the center. It has multiple touch-sensitive buttons on the left and right spokes. The instrument cluster is digital, displaying a speedometer on the left, a tachometer on the right, and a central display showing the time 17:44 and fuel consumption 8.4 L/100km. The infotainment screen is positioned in the center of the dashboard, displaying a menu with options like 'Browser', 'Mercedes-Benz Apps', 'Apple CarPlay', 'Android Auto', and 'Info & Connect'. The dashboard and door panels are finished with dark leather and silver trim. The car is parked on a paved surface with yellow parking lines.

Innovative power From deep within.

Lots of the control and display elements are brand new: the new steering wheel featuring Touch Control buttons and, depending on the equipment, the fully digital instrument cluster and enlarged displays including the new generation of infotainment enable individual and cutting-edge operation. Depending on the equipment, all the instruments can also be animated in “Classic”, “Sporty” and “Progressive” display styles.





Ahead of its best time.

A new electrified petrol engine with EQ Boost is in the starting blocks. The new DYNAMIC BODY CONTROL suspension is optimally tuned for this. The press of a button is all it takes for a sporty, taut set-up and high comfort.





The next destination firmly in sight.

The new C-Class Coupé impresses with its perfectly honed body. The dynamic lines and the clear, muscular surfaces signal an unadulterated, sporty coupé design. Powerful stylistic elements such as the new bumper and the standard-fit diamond radiator grille also lend strong, individual character.





Mercedes-Benz Intelligent Drive.

Be it during rush hour, on long night-time journeys or on unfamiliar routes, your new Mercedes-Benz C-Class Coupé provides you with tangible relief in stressful situations. This is based on a concept that makes every journey in a Mercedes-Benz safe and unique: Mercedes-Benz Intelligent Drive. Because the time you spend behind the wheel is your time. Time for relaxation. Time to replenish your energy. So that, first and foremost, you reach your destination safely, but are also always relaxed when you get there.



ENERGISING COMFORT AND EXEMPLARY SAFETY

Driving Assistance Plus Package: a new generation of stereo cameras and radar sensors enables a high level of driving assistance – for keeping the distance to the vehicle up ahead or maintaining speed as well as for automated braking or staying in lane.

Especially innovative: **PRE-SAFE® Sound** can produce a noise from the speakers and trigger a protective reflex. The auditory system briefly disconnects, thus protecting itself from the loud noises of the crash.

The **360-degree** camera shows the complete vehicle surroundings on the multimedia system display.

Various safety systems and features included in Mercedes-Benz vehicles are driver assistance aids only and the driver at all times remains solely responsible for maintaining proper control of the vehicle, ensuring safety and monitoring the driving environment and complying with all applicable road rules.



Digital cockpit.

The Smartphone Integration joins the mobile phone with the media system via Apple CarPlay™ and Android Auto™. This gives you convenient access to the most important applications of your smartphone. You can also use apps from third-party service providers such as Spotify® quickly and easily.



YOUR ACCESS TO THE DIGITAL WORLD OF MERCEDES-BENZ

The **fully digital instrument display** with the display styles “Classic”, “Progressive” and “Sporty” enables you to decide which information is important to you and in which way you wish to have it displayed. The 31.2 cm (12.3-inch) display delivers a pin-sharp image which is very easy to read in all light conditions.

The **high-resolution media display** in a 16:9 format with 10.25-inch screen diagonal adds a particularly high-quality touch to the interior of your vehicle. Thanks to the higher resolution of 1920 x 720 pixels you can enjoy brilliant image quality with a crisp illustration of all infotainment content.

Wireless charging system for mobile devices: driving time becomes charging time - with just a simple hand movement your smartphone can be fixed in place in the centre console where it is charged wirelessly. Irrespective of the model and brand, all smartphones supporting the Qi standard are charged wirelessly.

Wireless charging feature only compatible with devices that support the Qi standard. Check the compatibility of your device and vehicle in Australia at www.mercedes-benz-mobile.com for your device manufacturer.



Ambient lighting.

Showcase the interior according to your personal preferences or current mood. The ambient lighting with a total of 64 colours gives you virtually unlimited possibilities for staging spectacular light shows and offers precisely the right colour for any given situation.



Burmester® surround sound system.

Surround sound and an optimum sound in every seat: the Burmester® surround sound system gives music fans an amazing listening experience. You can adjust the soundscape to suit your preferences and according to the type of music – so you can enjoy exceptional quality virtually on a par with that in a concert hall.



Panoramic sliding sunroof.

Both open and closed: with the panoramic sliding sunroof you experience a thrilling feeling of freedom and enjoy a pleasantly light ambience in the interior. Viewed from the outside, the generous sliding sunroof has a unique effect, as it lends the exterior a light, exclusive look.



MULTIBEAM LED headlamps.

The headlamps featuring MULTIBEAM LED technology and ULTRA RANGE Highbeam continually calculate the ideal light image and illuminate the road surface precisely, brightly and particularly broadly. This way you can detect dangers even quicker, without dazzling other vehicles unnecessarily. In addition, the light colour, which is similar to daylight, spares and takes the strain off your eyes.

Standard equipment and appointments.

Exciting design for genuine emotions: in its standard guise the exterior impresses with powerful styling features such as the diamond radiator grille with a single louvre, and the state-of-the-art LED High Performance headlamps. The lowered suspension offers the perfect balance between dynamism, comfort and safety. With its design idiom and selection of materials the fine interior embodies a sporty lifestyle in its standard guise. The integral-look seats are a special highlight: they offer a comfortable, low seat position and optimum lateral support – and thus pure driving pleasure.



The AMG Line.

The expressive styling of the AMG Line lends the exterior of the C-Class a sporty, exclusive touch. As such you can make a clear statement for powerful design. The special technical features also give you tangibly more driving enjoyment, for the sports suspension with Sports-Direct Steer system features agile tuning and ensures decidedly dynamic handling. The AMG Line interior lends your car visibly and tangibly more sportiness. You send a clear signal and demonstrate at first glance what you value: an ambience that is dynamic and exclusive down to the last detail.



The Night Package.

More character – expressive style. In conjunction with the AMG Line, the Night Package adds some striking highlights in the form of exclusive black design elements. They emphasise the sporty character and the athletic design idiom of your car. Ideal for individualists who appreciate distinctive design.



The designo interior.

Opt for extravagant luxury: the two-tone designo interior adds an expressive and individual touch to your vehicle interior. Bengal red elements meet black sections, creating exciting contrasts. The high-quality materials have been masterfully crafted.





DYNAMIC BODY CONTROL.

One suspension – three set-ups: with DYNAMIC BODY CONTROL you can choose between maximum agility and high damping comfort to match the route and your personal driving style. The low suspension level and the Sports Direct-Steer system provide you with the ideal conditions for a particularly dynamic driving style. The DYNAMIC BODY CONTROL suspension is equipped with continuous damping adjustment for the front and rear axle. The infinitely adjustable system controls the damping characteristics in combination with the engine, transmission and steering properties individually for every wheel – to suit the particular driving situation, speed and road condition. Thanks to this variable tuning you enjoy a comfortable ride and outstanding vehicle dynamics.

FURTHER HIGHLIGHTS

Simply switch from sporty to comfortable tuning at the press of a button. This is possible with the **DYNAMIC SELECT** switch in conjunction with one of the two suspensions available, DYNAMIC BODY CONTROL and AIR BODY CONTROL.



4MATIC all-wheel drive for C 43.

Whether you're in urban traffic, on a rural road or the motorway: with the Mercedes-Benz permanent all-wheel drive you always feel safe when driving. The system ensures better traction when moving off and accelerating, especially on a poor road surface. The basis for this is the perfect interplay between the 4MATIC system* and the

electronic braking, control and traction systems ABS, ESP® and 4ETS. The system is constantly active and does not require any time to react and intervene. The improved driving and directional stability is particularly tangible on wet, snowy or icy roads.

FURTHER HIGHLIGHTS

* Available in the C43 only.

No compromises.

Every Mercedes-AMG is a masterpiece in its own right, with an unmistakable character. What unites our performance vehicles and sports cars is their irrepressible sporting spirit. Their passion for top performance. It is generated at the point where engineering skill meets a very special attitude: the spirit of AMG. We believe that you have to keep on challenging limits in order to achieve new goals. We accept nothing as a given. Because limits are imposed by people, and it's also people who can overcome them. It's this attitude that enables us to achieve outstanding performance for the race track – and for the road.

Welcome to the world of AMG.

www.mercedes-amg.com



AMG
DRIVING PERFORMANCE



Technical data.

Displacement (cc)

Rated output (kW [hp] at rpm)

Acceleration 0-100 km/h (sec.)

Top speed (km/h)

Fuel consumption (l/100 km)

Urban

Extra-urban

Combined

Combined CO emissions (g/km)

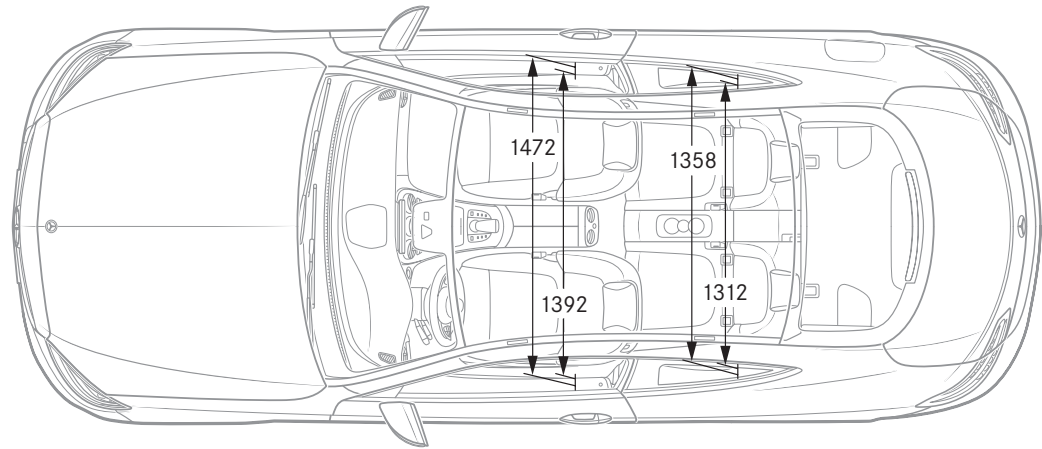
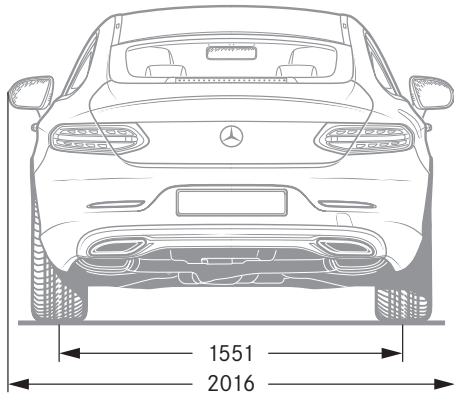
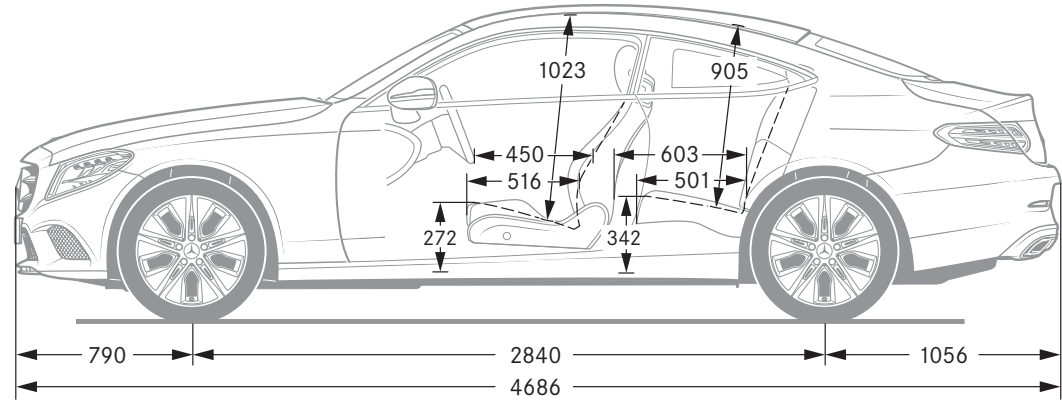
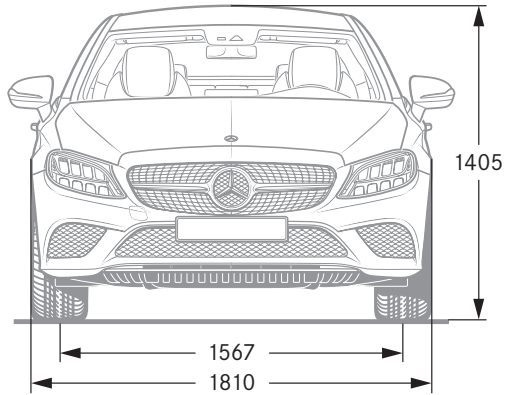
Petrol engines

| C 200 | C 300 | C 43 | C 63 S |
|-----------|-----------|-----------|-----------|
| 1497 | 1991 | 2996 | 3982 |
| 135 [184] | 190 [258] | 287 [390] | 375 [510] |
| 7.9s | 6.0s | 4.7s | 3.9s |
| 250 km/h | 250 km/h | 250 km/h | 250 km/h |
| 8.4 | TBA | 13.3 | 14.1 |
| 5.2 | TBA | 7.3 | 8.0 |
| 6.4 | TBA | 9.5 | 10.3 |
| 145 | TBA | 217 | 234 |

The best for the engine:
Genuine Mercedes-Benz engine oils.

The declared fuel and energy consumption figures are determined by testing under standardised laboratory conditions to comply with ADR 81/02. Real world fuel consumption is influenced by many additional factors such as fuel quality, individual driving style, load, traffic, and vehicle condition. The declared fuel consumption figure should only be used for the purpose of comparison amongst vehicles. For more technical data, please visit www.mercedes-benz.com.au.

Dimensions.



All figures in millimetres. The dimensions shown are mean values and apply to standard-specification, unladen vehicles.



SPORT — F O R — GOOD

Mercedes-Benz is one of the founding partners of the “Laureus Sport for Good Foundation”.

Since the foundation was established in 2000, Mercedes-Benz has been supporting and promoting the aims and values of this worldwide non-profit-making programme: to use social sports projects to improve the lives of children and young people who are disadvantaged or suffering from illness. Laureus has become a fundamental element of Mercedes-Benz’s social responsibility. Every new Mercedes is an ambassador embodying these values. In buying a Mercedes you are supporting the “Laureus Sport for Good Foundation”.

About the information in this publication: Changes may have been made to the product since the editorial deadline (13.07.2018). The manufacturer reserves the right to make changes to the design, form, colour and the product specification during the delivery period, provided these changes, while taking into account the interests of the seller, can be deemed reasonable with respect to the buyer.

The illustrations may show accessories and items of optional equipment which are not part of standard specification. This publication is used internationally. For the latest information regarding the regulations and effects in other countries, please contact your nearest authorised Mercedes-Benz dealer.

www.mercedes-benz.com.au