

# The C-Class Sedan



Mercedes-Benz



This Brochure is prepared by Mercedes-Benz Group AG and it predominantly reflects the capabilities and performance of vehicles sold in Europe. Some characteristics, capabilities, performance features and optional extras (e.g. towing systems) may not be available or may not apply in Australia or under Australian conditions. The information in this Brochure is therefore indicative, illustrative and provided only for guidance and should not be relied on. To obtain current and accurate information on a vehicle and any options applicable to Australia, contact your local authorised Mercedes-Benz retailer.

## Welcome to the comfort zone.

Sporty elegance, innovative safety technology and a luxurious interior make the new C-Class Sedan your comfort zone.





## The design: sportiness meets modern luxury.

The exterior design is defined by clean lines and elaborately sculpted surfaces. This minimalistic design idiom brings together luxury and sportiness with ease. The dynamic front section, an extended wheelbase and sporty powerdomes give the new C-Class its clear forward thrust.

## The interior: the expression of progressive comfort.

The digital cockpit, the large touchscreen in the centre console and a progressive concept for the trim make it absolutely clear: the new C-Class Sedan embodies modern luxury.



## The drive system: innovative and efficient.

In the new Mercedes-Benz C-Class Sedan you will find the latest-generation petrol engines. The innovative technology, featuring an integrated starter-generator, makes the new C-Class agile and effortlessly superior when accelerating.



## Climb in. Breathe out.

The extensive comfort highlights in the new C-Class Sedan relax you from the very first second. From the impressive ambient lighting concept through to the pioneering Vision Package including heated front seats\*. They all add up to make your new C-Class an oasis of relaxation in every situation.

\*Vision Package including heated front seats available as optional equipment.

The image shows the interior of a Mercedes-Benz C-Class Sedan. A woman with blonde hair, wearing a white and blue striped shirt and a tan jacket, is sitting in the driver's seat. She is holding a white rose. A man with dark hair, wearing a brown jacket, is leaning over her from the passenger side. The car's interior features red leather seats, a black dashboard with a large central touchscreen, and a steering wheel with the Mercedes-Benz logo. The background is a red brick wall.

## The safety\*: reassuringly Mercedes-Benz.

The many innovations in the new C-Class Sedan assist with making every journey pleasant and safe. The Driving Assistance Package Plus\*\* supports the driver. The centre airbag and PRE-SAFE® Impulse Side are further safety features designed to help mitigate the risk of an accident.

\*Driver assistance and safety systems/features included in Mercedes-Benz vehicles are driver assistance aids only and the driver at all times remains solely responsible for maintaining proper control of the vehicle, ensuring safety and monitoring the driving environment and complying with all applicable laws including but not limited to road rules (ie: adjusting the speed of the vehicle in accordance with the designated speed limits). Systems and features have limitations and may not be accurate in all instances. \*\*Driving Assistance Package Plus and PRE-SAFE® Impulse Side © available as standard equipment on C 300 only.



## Modern luxury: digital first.

Progressive voice control and a multimedia system that learns from and with you. The further development of the most innovative control system MBUX\* makes your new C-Class Sedan a digital comfort zone.

\*Whilst Mercedes-Benz Australia/Pacific Pty Ltd (MBAuP) shall use its reasonable endeavours to provide an uninterrupted experience, we cannot guarantee ongoing or uninterrupted supply of all applications, multimedia, connectivity and software solutions (Applications and Data Content) contained within or associated with the vehicle, which may be subject to interruption, change, discontinuance or limitations (eg where there is a change to our third party service providers on which the feature or service relies; where there is a regulatory change or change in law affecting the feature or service; where, in our discretion, we amend or replace the feature or service). Please refer to the relevant terms and conditions for more information including device compatibility, connectivity and capability requirements.

## Thinks for itself and, above all: of you.

A comfort zone in which you can completely relax, even in stressful situations such as a traffic jam. The innovative safety and assistance systems\* in the new C-Class Sedan are all part of this. The progressive PRE-SAFE® Impulse Side\*\* and Driving Assistance Package Plus\*\* can protect you when it matters.

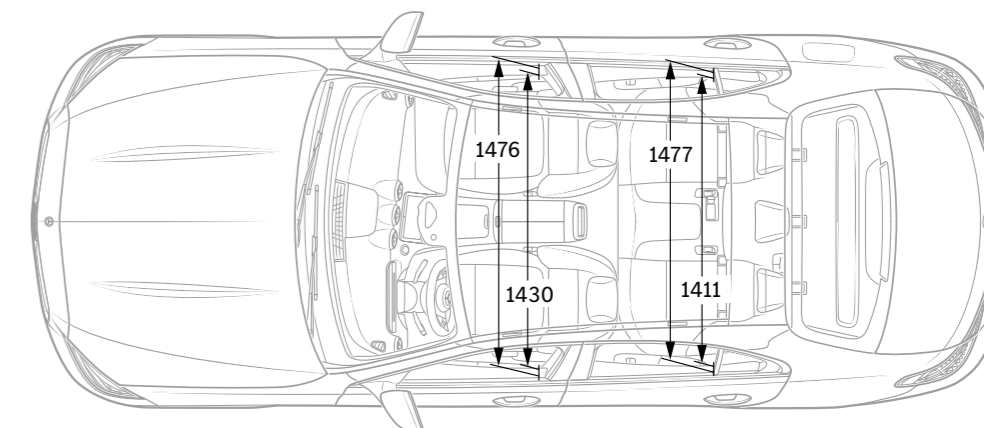
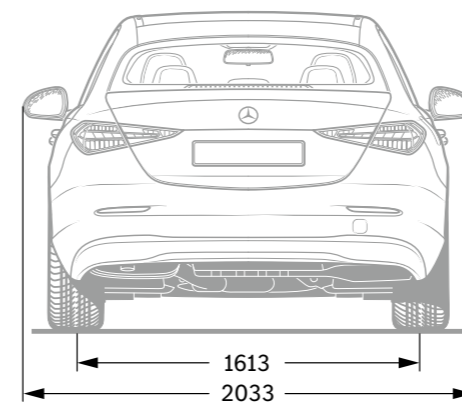
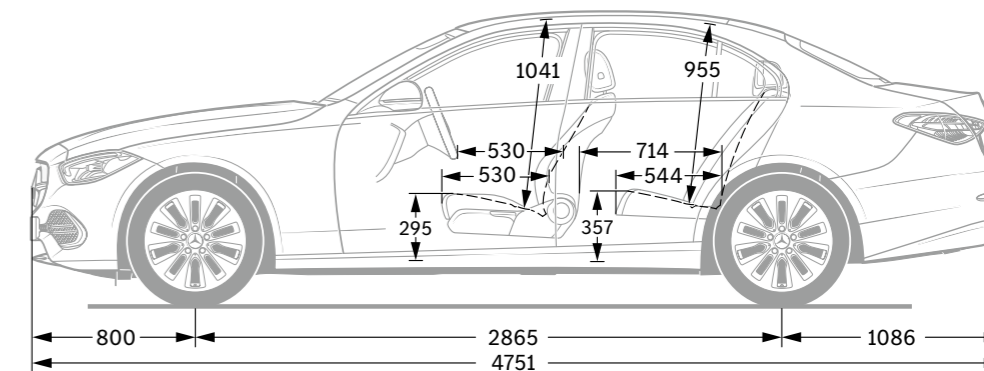
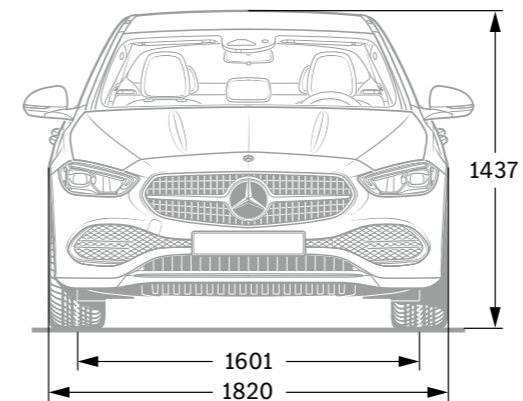
\*Various safety systems and features included in Mercedes-Benz vehicles are driver assistance aids only and the driver at all times remains solely responsible for maintaining proper control of the vehicle, ensuring safety and monitoring the driving environment and complying with all applicable road rules. \*\*PRE-SAFE® Impulse Side © and Driving Assistance Package Plus available as standard equipment on C 300 only.



## Technical data\*

	Petrol engines	
	C 200	C 300
Displacement (cc)	1496	1999
Rated output (kW [hp])	150 [204]/5800-6100	190 [258]/5800-5800
Acceleration from 0 to 100 km/h (s)	7.3	6.0
Fuel consumption (l/100 km)		
Urban	9.6	10.4
Extra-urban	5.3	5.3
Combined	6.9	7.3
Combined CO <sub>2</sub> emissions (g/km)	157	164

## Dimensions.



**The best for the engine:**  
Mercedes-Benz genuine engine oils.

\*Figures stated (including declared fuel consumption and emission figures) are determined by testing under track and/or standardised laboratory conditions which are (where applicable) conducted in accordance with ADR 81/02. The figures stated are for the purposes of comparison amongst vehicles tested under the same technical procedures only. Real world figures (particularly acceleration, fuel consumption and emission figures) may vary and are influenced by many additional factors such as, fuel quality, individual driving style, load, traffic, environmental and road conditions, ambient temperatures and vehicle condition.

\*All figures in millimetres. They are indicative figures only based on basic specification vehicles and in unladen condition. Actual figures and values may vary and are influenced by many additional factors such as optional equipment. Customers should make additional enquiries based on the specifics of their vehicle to obtain accurate figures.



# SPORT — F O R — GOOD

For 20 years now it has been our belief that sport has the power to connect people and motivate them in a unique way. We have facilitated urgently needed access to our support programmes for millions of children and young people, so helping them to achieve positive change in their lives. The programmes that we support together with Laureus Sport for Good are in line with the United Nations' Sustainable Development Goals and are part of an exciting major global movement to effect positive change in the world. **In buying a Mercedes-Benz you are supporting the “Laureus Sport for Good” movement.**

**Please note:** The information contained in this document is indicative only and final information should be obtained from a participating authorised retailer prior to purchase. Changes may have been made to the product since the editorial deadline on 19.08.2021. The manufacturer reserves the right to discontinue or make changes to any goods or services and the information in this document without notice. All images shown are for illustrative purposes only and are displayed by way of example. Actual features/products/goods/services may differ slightly. Some vehicles or

equipment pictured and/or features may not be available in Australia. All information in this document is to be read in conjunction with the applicable disclaimers. This publication and its text, images, graphics, sound files, animation files, video files and their arrangements are the property of Mercedes-Benz Group AG. The publication may also contain objects that are subject to the copyright rights of third party providers. This publication is not to be copied, used for commercial purposes or distribution, nor may these objects be modified or reposted. All rights reserved.