

The E-Class Sedan



Mercedes-Benz



This Brochure is prepared by Mercedes-Benz Group AG and it predominantly reflects the capabilities and performance of vehicles sold in Europe. Some characteristics, capabilities, performance features and optional extras (e.g. towing systems) may not be available or may not apply in Australia or under Australian conditions. The information in this Brochure is therefore indicative, illustrative and provided only for guidance and should not be relied on. To obtain current and accurate information on a vehicle and any options applicable to Australia, contact your local authorised Mercedes-Benz dealer.



Made to win the day.

Master every task. The new E-Class Sedan offers all you need to do so: space, comfort, safety and pioneering innovations. The more dynamic design, carefully considered safety features, a digital cockpit, MBUX and sophisticated comfort features set new benchmarks in the luxury segment.



Space for a sense of assurance.

A sportily elegant rear end and a high level of functionality: the new E-Class Sedan is an absolute eye-catcher with its broad shoulders and high-quality rims.

High performance.

High-quality materials, innovative technology and even greater comfort: the interior of the new E-Class Sedan has everything that makes your daily life better. The centrepiece is the digital cockpit: the high-resolution multimedia display makes the vehicle as intuitive to operate as a smartphone.





Ahead in safety.

As a pioneer in matters of safety, Mercedes-Benz has always played an important role. And this experience is apparent in the new E-Class Sedan as well. A host of ex-factory assistance and safety systems* look out to ensure that you look out.

*Various safety systems and features included in Mercedes-Benz vehicles are driver assistance aids only and the driver at all times remains solely responsible for maintaining proper control of the vehicle, ensuring safety and monitoring the driving environment and complying with all applicable road rules.



Unbeatable comfort.*

The new E-Class Sedan is practically unbeatable in matters of comfort. Massage seats, air cooling, first-class sound provided by the Burmester® surround sound system or the ambient lighting sometimes make you forget that you are sitting in a car. Thanks to the ENERGIZING packages, which create a bundle of the features that make you feel best.

*Features listed are available and optionally available on selected models.



*Standard for Mercedes-AMG E 63 S 4MATIC+, optional all other models.

MBUX.

An E-Class Sedan that wants to get to know you. Thanks to intelligent MBUX with natural voice control, your vehicle adapts to your needs and knows what is important to you. With the digital high-resolution multimedia displays, which can be customised, you navigate everyday life with aplomb.

MBUX Augmented Reality Navigation.*

To enable you to find your way in complex traffic situations, MBUX Augmented Reality Navigation connects the virtual world with the real world. The technology incorporates graphical navigation instructions and traffic information into live images, so helping you to reach your destination quickly, safely and stress-free.

All Multimedia, Connectivity and Software solutions (Applications and Data Content) contained within or associated with the vehicle are subject to terms and conditions. In some cases, the Applications and Data Content may be provided by third parties, not Mercedes-Benz Australia/Pacific Pty Ltd. Please refer to the relevant terms and conditions for more information including device compatibility, connectivity and capability requirements.



MULTIBEAM LED headlamps.*

The adaptive MULTIBEAM LED headlamps with individually controlled LEDs adapt to the traffic situation. ULTRA RANGE increases the range of the main beams to the permitted maximum.

*Not available for E 200, standard on other models.

New rims.

Superior on the road. The new modern rim designs give the new E-Class Sedan a scaled-back, contemporary style.

Burmester® surround sound system.**

The unique sound systems from Burmester® provide first-class surround sound in the new E-Class Sedan. This sound can even be optimised by seating area for the front or rear seats. As a result, you enjoy an even more intensive listening experience.

**Standard for Mercedes-AMG E 53 & E63 S 4MATIC+, optionally available for other models.

Ambient lighting.

Showcase the interior according to your personal preferences or current mood. The 64 colours of the ambient lighting create exciting colour schemes, which can alternate dynamically or illuminate several areas in different colours.

Made to win the night.

The Mercedes-AMG E-Class Sedan.

Every Mercedes-AMG is a masterpiece in its own right, with an unmistakable character. What unites our performance vehicles and sports cars is their irrepressible sporting spirit. Their passion for top performance. It is generated at the point where engineering skill meets a very special attitude: the spirit of AMG. We believe that you have to keep on challenging limits in order to achieve new goals. We accept nothing as a given. Because limits are imposed by people, and it's also people who can overcome them. It's this attitude that enables us to achieve outstanding performance for the race track – and for the road.

Welcome to the world of AMG.

www.mercedes-amg.com

AMG
DRIVING PERFORMANCE



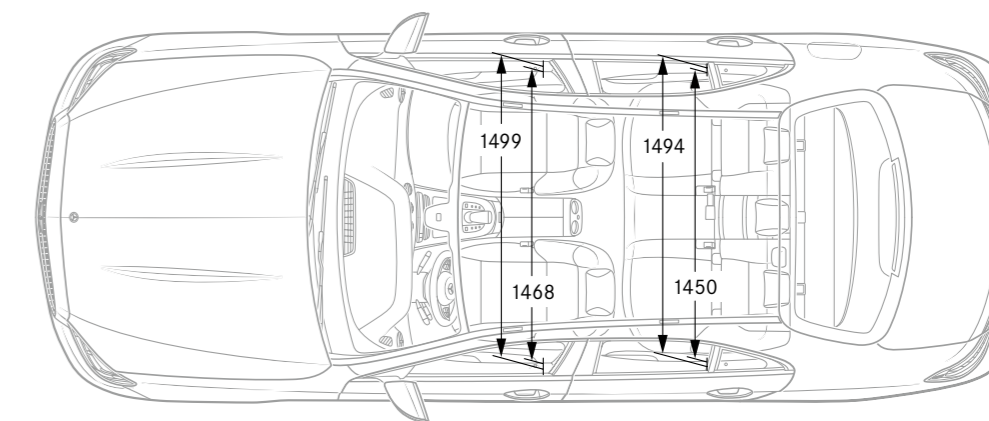
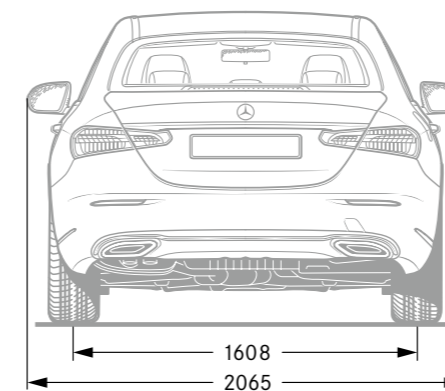
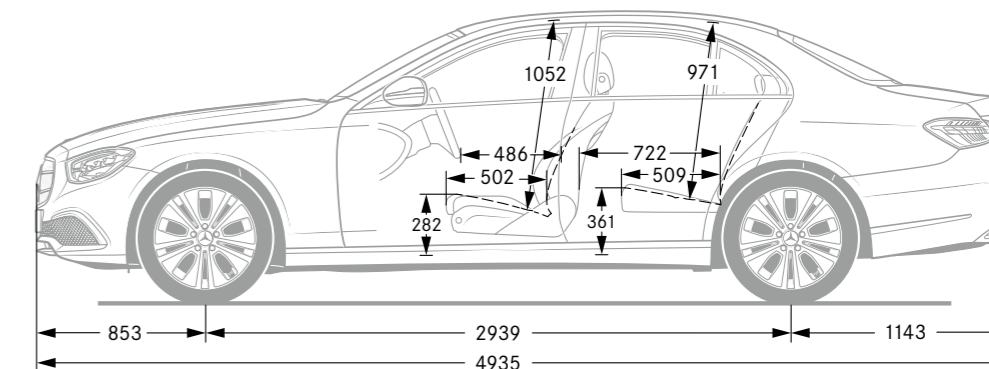
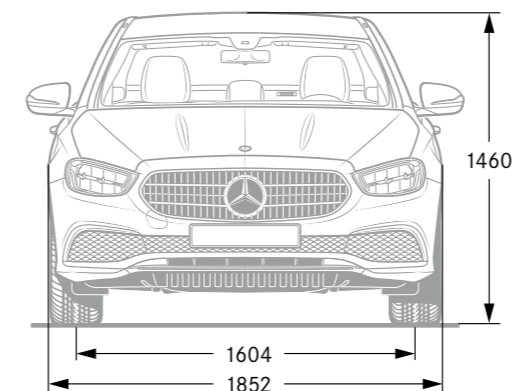
Technical data.

	Petrol engines				
	E 200	E 350	E 300 e	E 53 4MATIC+	E 63 S 4MATIC+
Displacement (cc)	1991	1991	1991	2999	3982
Rated output ¹ (kW [hp] at rpm)	145 [197]	220 (299)	155 [211]	320 [435]	450 [612]
Acceleration from 0 to 100 km/h (s)	7.5	5.9	5.7	4.5	3.4
Fuel consumption ⁴ (l/100 km)					
Urban	10.5	10.3	-	12.0	17.7
Extra-urban	6.5	6.1	-	7.5	9.0
Combined	8.0	7.7	2.2	9.2	12.3
Combined CO ₂ emissions ⁴ (g/km)	180	175	50	209	280

The best for the engine:
Mercedes-Benz genuine engine oils.

The declared fuel consumption figures are determined by testing under standardised laboratory conditions in accordance with ADR 81/02. The fuel consumption figures stated are for the purposes of comparison amongst vehicles tested under the same technical procedures only. Real world energy consumption figures may vary and are influenced by many additional factors such as, individual driving style, load, traffic, ambient temperature and vehicle condition.

Dimensions.



All figures in millimetres. The pictured dimensions are mean values. They are valid for vehicles in basic specification and in unladen condition.



SPORT — F O R — GOOD

Mercedes-Benz AG is one of the founding partners of the worldwide “Laureus Sport for Good Foundation”, which was established in 2000. It is the Mercedes-Benz brand’s most important social initiative. Laureus Sport for Good supports children and young people in need through social sports projects, opening up new perspectives and imparting important values such as team spirit, respect and determination. “Change the Game for Kids” is our mission statement which we wish to share with you. In buying a Mercedes-Benz you are supporting the “Laureus Sport for Good” movement.

Please note: Changes may have been made to the product since the editorial deadline on 13.03.2020. The manufacturer reserves the right to make changes to the design, form, colour and the delivery scope during the delivery period, provided these changes, while taking into account the interests of the seller, can be deemed reasonable for the buyer. Where the seller or the manufacturer uses symbols or numbers to describe an order or the subject of an order, no rights may be derived solely from these. The illustrations may also show accessories and optional equipment, which are not part of the standard delivery scope. Therefore, please ask your Mercedes-Benz sales representative about the provisions and effects applicable in other countries and about the latest definitive version.

www.mercedes-benz.com.au

Mercedes-Benz Group AG, 02-0418