

The all-electric EQA



MERCEDES-EQ



Athletic. Electric. The all-electric EQA.

The EQA shapes the urban habitat anew: fully electric, with zero local emissions and virtually silent. Thrillingly dynamic and with convenient charging services, the EQA is an enjoyable transition to electric mobility. Climb into the all new EQA and the all-electric vehicle world of Mercedes-EQ.

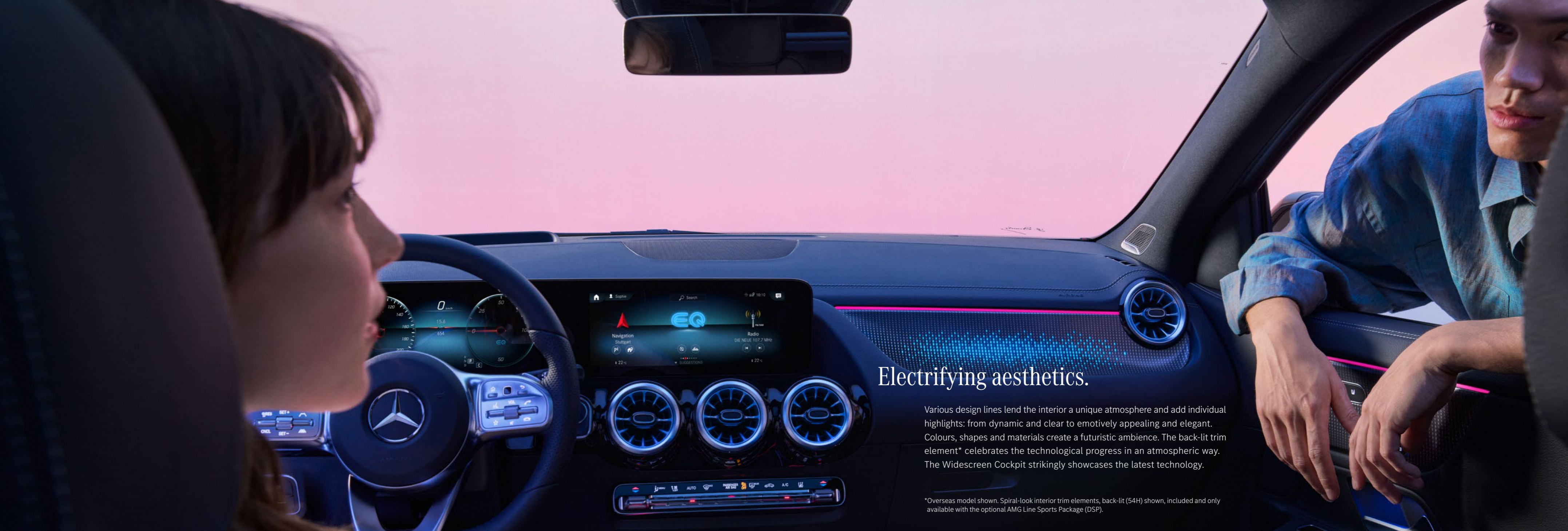
20" AMG multi-spoke alloy wheels shown (RVU) standard on EQA 350 4M only, optionally available with AMG Line Sports Package (DSP).

This Brochure is prepared by Daimler AG and it predominantly reflects the capabilities and performance of vehicles sold in Europe. Some characteristics, capabilities, performance features and optional extras (e.g. towing systems) may not be available or may not apply in Australia or under Australian conditions. The information in this Brochure is therefore indicative, illustrative and provided only for guidance and should not be relied on. To obtain current and accurate information on a vehicle and any options applicable to Australia, contact your local authorised Mercedes-Benz retailer.



Expression of a new lifestyle.

At first glance: a true Mercedes-EQ. At second: an electric statement. Its athletic lines confidently underline its unfettered forward thrust and embody progressive luxury. The black panel radiator grille and the striking LED lighting strip point the way to a new direction and shape the hallmark Mercedes-EQ look. The LED High Performance headlamps integrated as standard at the front signal its progressive stance, above all at night.



Electrifying aesthetics.

Various design lines lend the interior a unique atmosphere and add individual highlights: from dynamic and clear to emotively appealing and elegant. Colours, shapes and materials create a futuristic ambience. The back-lit trim element* celebrates the technological progress in an atmospheric way. The Widescreen Cockpit strikingly showcases the latest technology.

*Overseas model shown. Spiral-look interior trim elements, back-lit (54H) shown, included and only available with the optional AMG Line Sports Package (DSP).

Services for a new mobility.

New services have been specially developed for the electric vehicles from Mercedes-EQ, including 5 year unlimited km warranty. To provide additional confidence as well as a tailored EQ battery warranty which contains a high-voltage battery certificate (the heart of the EQA) with a performance pledge for up to eight years or up to 160,000 kilometres (whichever occurs first).

Overseas model shown. Optional 20" AMG multi-spoke alloy wheels (RVU) shown, included and only available with the optional AMG Line Sports Package (DSP).

*Servicing solutions and vehicle warranty are subject to terms, conditions and exclusions. Warranty is applicable to new and demonstrator EQA vehicles first registered for 5 years from the date of first registration of the vehicle. Warranty start time may differ for demonstrator vehicles. Commercial application of vehicle is subject to 5 years from first registration date or 200,000km (whichever occurs first). Battery warranty periods vary. Excludes customers with specific warranty arrangements with Mercedes-Benz.



Perfect for you: The all-electric EQA with MBUX.*

MBUX stands for Mercedes-Benz User Experience. In short: this is all about you. Via the large display with a touchscreen you can control all the functions intuitively – via touch, but also using gestures or speech with “Hey Mercedes”. The system can also learn and continually adapts to suit the driver’s needs even better. Practical interfaces for your smart phone and digital media are facilitated by simple Smartphone Integration** and round off the special infotainment experience.



*Unless stated otherwise, all applications, multimedia, connectivity and software solutions (Applications and Data Content) contained within or associated with the vehicle are licenced to users subject to terms and conditions. In some cases, the Applications and Data Content may be provided by third parties, not Mercedes-Benz Australia/Pacific Pty Ltd (MBAuP) and may be subject to third party terms and conditions. Whilst MBAuP shall use its reasonable endeavours to provide an uninterrupted experience, we cannot guarantee ongoing or uninterrupted supply noting that such services may subject to interruption, change, discontinuance or limitations. In some circumstances, specific features or services may no longer be able to be supplied or will need to be supplied in a different form (eg where there is a change to our third party service providers on which the feature or service relies; where there is a regulatory change or change in law affecting the feature or service; where, in our discretion, we amend or replace the feature or service). We will make reasonable efforts to inform you of such changes where they materially affect the services you. Please refer to the relevant terms and conditions for more information including device compatibility, connectivity and capability requirements.

**Phone and internet compatibility, connectivity and capabilities differ between devices, markets and vehicles. Check the compatibility of your device and vehicle in Australia at www.mercedes-benz-mobile.com. Data plan required for internet connection.

Spiral-look interior trim elements, backlit (54H) shown, included and only available with the optional AMG Line Sports Package (DSP).

The image shows the driver's perspective from the interior of a Mercedes-Benz EQA. The driver's head and shoulder are visible on the left. The side mirror reflects a cyclist in a blue and white jersey riding a bicycle. A red triangle in the mirror indicates a detected hazard. The dashboard features a digital instrument cluster with a speedometer showing 0 km/h, a temperature gauge at 23.5°C, and a fuel gauge at 3.8. The steering wheel has the Mercedes-Benz logo and various control buttons. The center console has a gear selector and handbrake. The interior is illuminated with ambient lighting, including a red light strip on the side panel.

Exemplary safety. The all-electric EQA.

The driving assistance systems* in the EQA think ahead, have an eye on what is happening in the traffic and can not only help relieve the burden on you in day-to-day life, but also help provide support in hazardous situations.

*Various safety systems and features included in Mercedes-Benz vehicles are driver assistance aids only and the driver at all times remains solely responsible for maintaining proper control of the vehicle, ensuring safety and monitoring the driving environment and complying with all applicable road rules.



Extended standard equipment.*

The extended standard equipment enhances comfort with the Progressive design and equipment line, including a leather steering wheel and luxury seats, reversing camera and EASY-PACK tailgate.

STANDARD SPECIFICATION
Progressive design and equipment line
Reversing camera
Ambient lighting
EASY-PACK tailgate
Adaptive Highbeam Assist
Speed Limit Assist
Load Compartment Package

*Equipment may have changed since publication and are subject to availability. Please confirm final details of standard equipment with a participating authorised retailer prior to purchase.

Widescreen Cockpit.

In addition to the extended standard equipment, two brilliant 10.25-inch displays in the form of a Widescreen Cockpit enhance the vehicle interior. Further intelligent assistants tangibly increase ride comfort.

FURTHER HIGHLIGHTS
Widescreen Cockpit, consisting of media display and fully digital instrument display, each with 10.25-inch screen diagonal
Parking Package with reversing camera**
Mirror Package
Blind Spot Assist**

**Driver assistance and safety systems/features included in Mercedes-Benz vehicles are driver assistance aids only and the driver at all times remains solely responsible for maintaining proper control of the vehicle, ensuring safety and monitoring the driving environment and complying with all applicable laws including but not limited to road rules (ie: adjusting the speed of the vehicle in accordance with the designated speed limits). Systems and features have limitations and may not be accurate in all instances.

Comfort.

The high-quality sound system also forms a rich backdrop to the journey, while your smartphone is wirelessly charged.***

THERMOTRONIC automatic climate control
KEYLESS-GO Convenience Package
Advanced Sound System
Wireless charging system for mobile devices
Widescreen Cockpit, consisting of media display and fully digital instrument display, each with 10.25-inch screen diagonal
Parking Package with reversing camera**

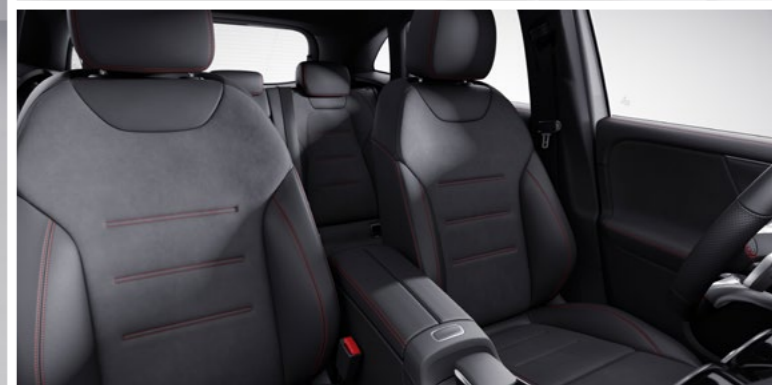
***Wireless charging only compatible with devices that support or can be upgraded to support the Qi standard. Check the compatibility of your device and vehicle in Australia at www.mercedes-benz-mobile.com or with your device manufacturer.

Vision Package.^

The Vision Package offers the top level of equipment. It supplements all the previous equipment packages with additional highlights such as the panoramic sliding sunroof. No wish is left unanswered.

HIGHLIGHTS OF THE VISION PACKAGE
Panoramic sliding sunroof
Parking Package with 360° camera

^Vision Package available as standard equipment on EQA 350 4M only.



Progressive design and equipment line.**

Its design is as progressive as its claim. In the standard specification, the Progressive design and equipment line adds exclusive highlights: with luxury seats in ARTICO man-made leather and including Seat Comfort Package, or the leather steering wheel. The exterior shines with features such as roof rails in polished aluminium.

EXTERIOR HIGHLIGHTS

Roof rails in polished aluminium

19" AMG 5-twin spoke alloy wheels

Front and rear apron with chrome insert

Shoulderline and windowline trim elements in polished aluminium

INTERIOR HIGHLIGHTS

Luxury seats including Seat Comfort Package

Upholstery in ARTICO man-made leather

Multifunction sports steering wheel in leather with black topstitching and 2-part chromed trim

Air vents in silver chrome with outer ring in silver chrome and air guide ring in high-gloss black

Side trim in grained black with chromed insert

AMG Line Sports Package.*

Confidently shows what it's made of: the EQA with AMG Line. On the outside, features such as the AMG-specific front apron and the AMG-specific black panel radiator grille reinforce the strong forward thrust. On the inside the sports seats and the multifunction sports steering wheel make it clear that standing still is not an option.

EXTERIOR HIGHLIGHTS

AMG-specific front apron with trim elements in chrome as well as functional AIR CURTAINS

AMG-specific black panel radiator grille in twin-blade design and with surround in high-gloss black

AMG rear apron in diffuser look with trim part in chrome

20" AMG multi-spoke alloy wheels, painted in high-gloss black with a high-sheen finish

Side trim in grained black with chromed insert

INTERIOR HIGHLIGHTS

Sports seats with adjustable head restraint including Seat Comfort Package

Upholstery in black ARTICO man-made leather/DINAMICA microfibre with red contrasting topstitching

3-spoke multifunction sports steering wheel in nappa leather, with flattened bottom section, with perforation in the grip area and Touch Control buttons

AMG brushed stainless steel pedal assembly with rubber studs

Air vents in silver chrome with outer ring in silver chrome and air guide ring in high-gloss black

*Equipment may have changed since publication and are subject to availability. Please confirm final details of standard equipment with a participating authorised retailer prior to purchase.

**Progressive Line only available on EQA 250.

*AMG Line Sports Package available as standard on EQA 350 4M, optionally on EQA 250.



Edition 1.*

The unique Edition 1, available for a limited time, combines elements of the Night Package with elements of the AMG bodystyling. The exterior has a sporty look with AMG-specific equipment features. In the vehicle interior the back-lit trim part and blue topstitching in seats and doors add clear highlights.

EXTERIOR HIGHLIGHTS

AMG-specific front apron with trim elements in high-gloss black as well as functional AIR CURTAINS

AMG-specific black panel radiator grille in twin-blade design and with surround in high-gloss black

AMG-specific rear apron in diffuser look with trim part in high-gloss black

50.8 cm (20-inch) AMG multi-spoke light-alloy wheels in rosé gold

Side trim in grained black with insert in high-gloss black

INTERIOR HIGHLIGHTS

Upholstery in neva grey leather with CYBER CUT blue**

Armrest in ARTICO man-made leather black with blue topstitching

Widescreen Cockpit, consisting of media display and fully digital instrument display, each with 10.25-inch screen diagonal

3-spoke multifunction sports steering wheel in nappa leather, with flattened bottom section, with perforation in the grip area and Touch Control buttons

Trim element back-lit

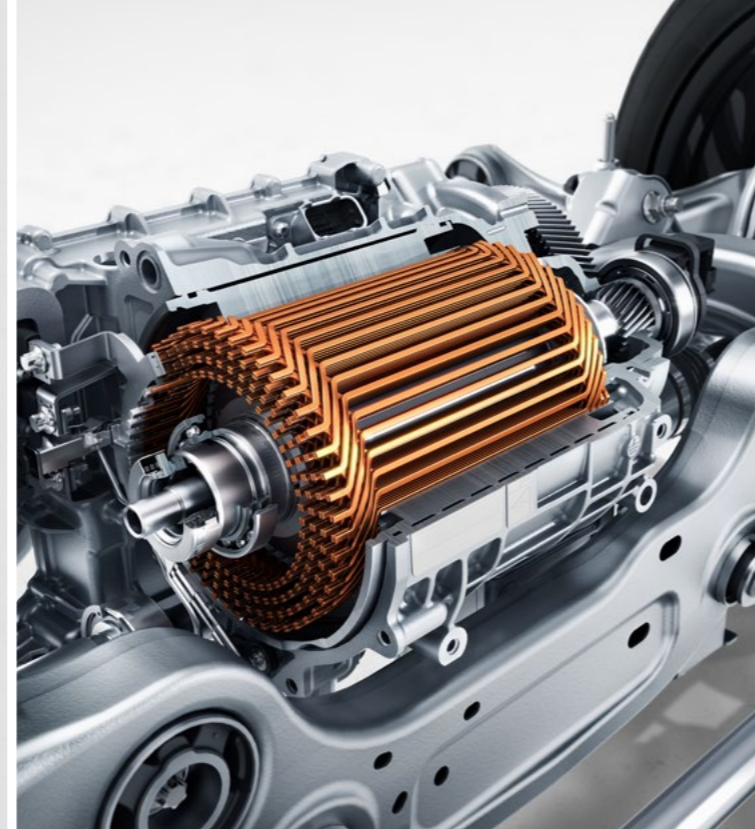
**Edition 1 available as optional equipment. Equipment may have changed since publication and are subject to availability. Please confirm final details of standard equipment with a participating authorised retailer prior to purchase.

**Leather upholstery may contain some areas upholstered with synthetic ARTICO material to increase durability and reduce long-term wear and tear.



Electric drivetrain.

Efficiently electric: the drive technology of the EQA offers impressive power delivery for more efficiency, safety, comfort and driving pleasure – hallmark Mercedes-EQ. The electric drivetrain (eATS) with an asynchronous motor and integrated parking lock sits on the front axle in the case of the EQA 250. From there it puts an effortlessly superior system output of 140 kW on the road. The full torque is already available with the first touch of the accelerator pedal, the EQA with DYNAMIC SELECT supports you through various drive programs with different characteristics – from efficient to sporty for more driving pleasure in bends and comfort on long journeys.



Driving Assistance Package.*

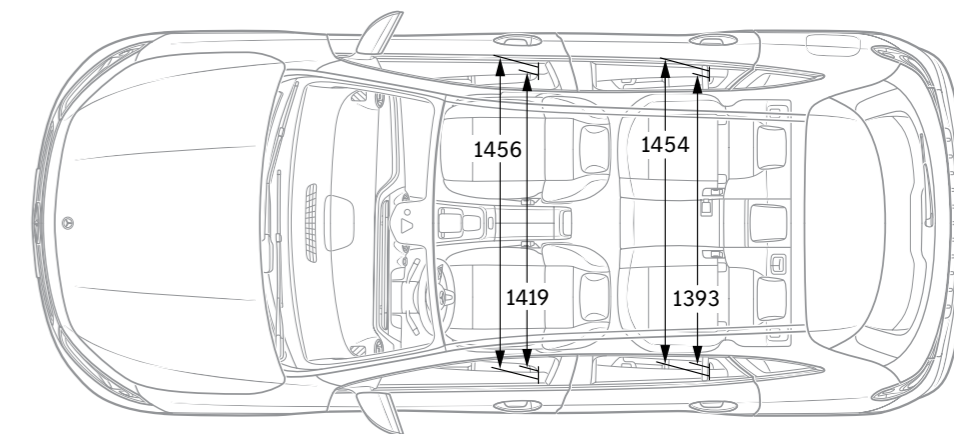
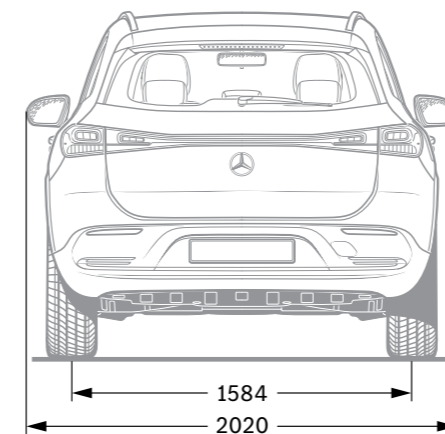
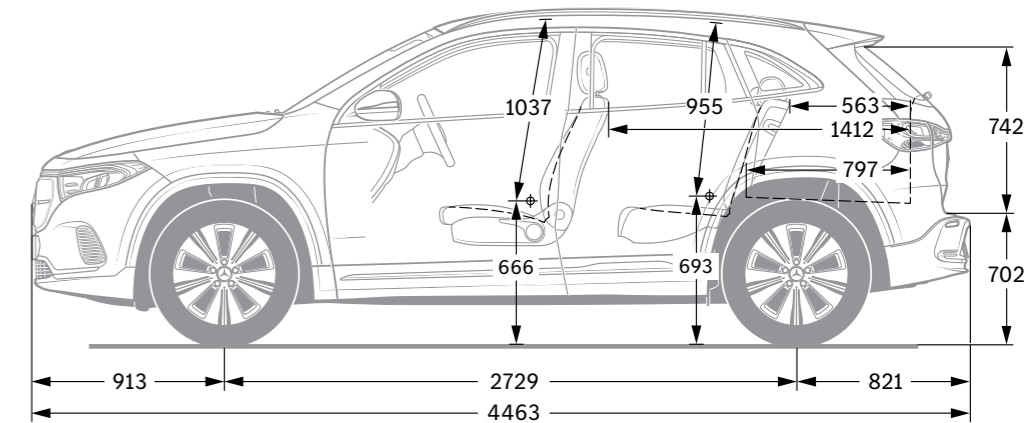
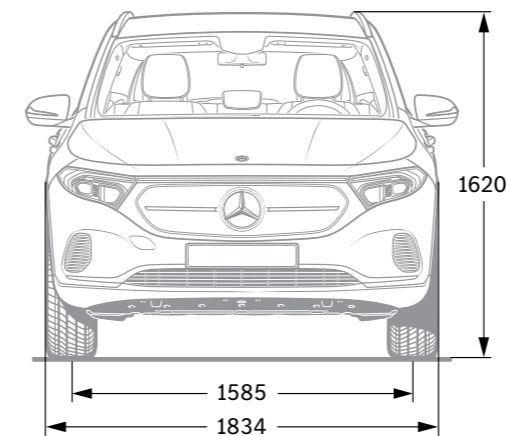
A further step towards fully automated driving. The Driving Assistance Package sets new standards where safety and ride comfort are concerned. Cameras, radar and ultrasound record the surroundings and provide situation-specific support in relation to speed adjustment and steering. To supplement this, various data from maps, navigation system and Live Traffic Information are used to assess routes and traffic in real time. All information is intelligently networked. For you this means tangible relief and additional assistance.

*Various safety systems and features included in Mercedes-Benz vehicles are driver assistance aids only and the driver at all times remains solely responsible for maintaining proper control of the vehicle, ensuring safety and monitoring the driving environment and complying with all applicable road rules.

Technical data.*

	EQA 250	EQA 350
Rated output (peak output) (electric) (kW [hp])	140 [190]/3600-10300	210 [190]/3600-10300
Rated torque of electric motor (Nm at rpm)	375	520
Acceleration from 0 to 100 km/h (s)	8.9s	6.0s
Combined CO ₂ emissions (g/km)	0	0
Combined electrical consumption max.-min. ¹ (kWh/100 km)	16.2	17.1
Electric range (km)	480	464
Battery type/net battery capacity (kWh)	66.5	66.5
Cd value	0.28	0.28
Boot capacity (l)	340	340
Kerb weight (kg)	2040	2091
Gross vehicle weight (kg)	2470	2535

Dimensions.



*Figures stated are determined by testing under track and/or standardised laboratory conditions and which are (where applicable) conducted in accordance with ADR 81/02. The figures stated are for the purposes of comparison amongst vehicles tested under the same technical procedures only. Real world figures (particularly acceleration, consumption and range figures) may vary and are influenced by many additional factors such as individual driving style, load, traffic, environmental and road conditions, ambient temperatures and vehicle condition.

All figures in millimetres. They are indicative figures only based on basic specification vehicles and in unladen condition. Actual figures and values may vary and are influenced by many additional factors such as optional equipment. Customers should make additional enquiries based on the specifics of their vehicle to obtain accurate figures.

Please note: Changes may have been made to the product since the editorial deadline (24.05.2019).

The manufacturer reserves the right to make changes to the design, form, colour and the product specification during the delivery period, provided these changes, while taking into account the interests of the vendor, can be deemed reasonable with respect to the purchaser. The illustrations may show accessories and items of optional equipment which are not part of standard specification. This publication is distributed internationally.

For current and more specific information, please contact your nearest authorised Mercedes-Benz retailer.

www.mercedes-benz.com.au

This publication and its text, images, graphics and their arrangements are the property Daimler AG[®].

The publication may also contain objects that are subject to the copyright rights of third party providers.