

The all-electric EQB



MERCEDES-EQ





This is for new dimensions.

Experience electric mobility in a new dimension: with up to seven seats*, the all-electric space sensation adapts to your transport requirements. Comfortable, sustainable and virtually silent, helps you reach your destination relaxed and carefree.

*Seven seats optionally available on EQB 250 only.



Angular and strong in character on the outside.

The new EQB is characterised by expressive lines – which serve to emphasise its confident performance. The design of the new, all-electric compact SUV interprets the concept of progressive luxury in an angular and characterful way. The black panel radiator trim with its central star, along with the distinctive LED light band at the front and rear, flag up the EQB as a member of the Mercedes-EQ family. Blue highlights in the headlamp reinforce the electric-car look.



Innovative and functional on the inside*.

The unique atmosphere created by the targeted use of highlights gives the car a futuristic ambience: the Widescreen Cockpit, an impressively back-lit trim element and rosé gold-coloured decorative elements on the air vents, seats and the vehicle key embody the electric character. Aluminium-look tube elements create the robust look in the interior – they feature as handles in the doors, in the centre console and in the dashboard on the front-passenger side.

*Overseas model shown. Equipment described is optionally available and equipment may have changed since publication and is subject to availability. Please confirm final details of standard equipment with a participating authorised Retailer prior to purchase.

More room for electric mobility.

Totally in line with your needs: with its spacious interior and up to three seat rows, the all-electric EQB offers room for up to seven people*. With the individually folding seats in the rear, the boot capacity can be extended to as much as 1710 litres, making the EQB a real space sensation.

*Seven seats optionally available on EQB 250 only.



Perfect for you: the EQB with MBUX*.

MBUX stands for Mercedes-Benz User Experience. In short: this is all about you. You can control all the functions intuitively via the large display with touchscreen – by touch, but also by using gestures or speech, with “Hey Mercedes”. In addition, the system is capable of learning, and continually adapts to suit the driver’s needs. Practical interfaces for telephone and digital media are facilitated by the simple Smartphone Integration** and round off the special infotainment experience.

*Unless stated otherwise, all use of applications, multimedia, connectivity and software solutions (Applications and Data Content) contained within or associated with the vehicle are provided to users subject to terms and conditions. In some cases, the Applications and Data Content may be provided by third parties, not Mercedes-Benz Australia/Pacific Pty Ltd (MBAuP) and may be subject to third party terms and conditions. Whilst MBAuP shall use its reasonable endeavours to provide an uninterrupted experience, we cannot guarantee ongoing or uninterrupted supply noting that such services may be subject to interruption, change, discontinuance or limitations. In some circumstances, specific features or services may no longer be able to be supplied or will need to be supplied in a different form (e.g. where there is a change to our third party service providers on which the feature or service relies; where there is a regulatory change or change in law affecting the feature or service; where, in our discretion, we amend or replace the feature or service). We will make reasonable efforts to inform you of such changes where they materially affect the services you receive. Please refer to the relevant terms and conditions for more information including device compatibility, connectivity and capability requirements.

**Phone and internet compatibility, connectivity and capabilities differ between devices, markets and vehicles. Check the compatibility of your device and vehicle in Australia at www.mercedes-benz-mobile.com. Data plan required for internet connection.



Turn your home into your own charging station.

Charge your EQB conveniently from home: with the Mercedes-Benz Wallbox Home you charge your vehicle with up to 11kW* and thus many times faster than at a conventional household socket. This makes for convenient and easy charging.

*Figures are indicative only and assume a new battery with a starting temperature and outside ambient temperature of 23° Celcius. Figures do not take into account use of auxiliary vehicle functions such as air-conditioning, heating, seat heating and pre-cooling, and displays. Charging times can vary depending on many factors including but not limited to ambient conditions, auxiliary consumables (e.g. seat heating and air-conditioning) and capabilities of charging infrastructure capacity and/or supply.



For your safety.
And that of your fellow passengers.

The intelligent driving assistance systems* in the EQB: they think ahead, have an eye on what is happening in the traffic and provide effective support in hazardous situations. You, your passengers and other road users can be protected, as the situation requires – even once you have reached your destination, for example, via the exit warning function.



*Driver assistance and safety systems/features included in Mercedes-Benz vehicles are driver assistance aids only and the driver at all times remains solely responsible for maintaining proper control of the vehicle, ensuring safety and monitoring the driving environment and complying with all applicable laws including but not limited to road rules (eg: adjusting the speed of the vehicle in accordance with the designated speed limits). Systems and features have limitations and may not be accurate in all instances.



Advanced Plus Package.

On top of the content of the Advanced Package*, the Advanced Plus Package offers further added comfort: the THERMOTRONIC automatic climate control ensures your preferred temperature in the interior. You can also charge your smartphone wirelessly in the centre console.

ADVANCED PLUS PACKAGE: HIGHLIGHTS

THERMOTRONIC automatic climate control

KEYLESS-GO Convenience Package

Advanced Sound System

Wireless charging system for mobile devices

Widescreen Cockpit, consisting of media display and fully digital instrument display, each with 10.25-inch screen diagonal

Parking Package with 360° camera

*Available as standard across EQB range.



Premium Package.

The Premium Package* offers top-level equipment and ensures exceptional ride comfort. It supplements all the previous equipment packages with additional highlights such as the Burmester® surround sound system and the panoramic sliding sunroof.

PREMIUM PACKAGE: HIGHLIGHTS

Burmester® surround sound system*

THERMOTRONIC automatic climate control

KEYLESS-GO Convenience Package

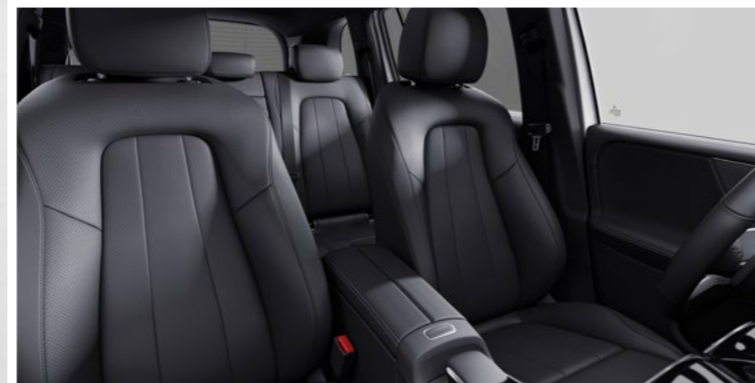
Wireless charging system for mobile devices

Widescreen Cockpit, consisting of media display and fully digital instrument display, each with 10.25-inch screen diagonal

*Premium package optionally available on EQB 250 as part of Vision Package (DVP). Not available in conjunction with third row seat (847).



Overseas model shown.



Overseas model shown.



Progressive design and equipment line.

Its design is as progressive as its claim. In the standard specification the Progressive design and equipment line* adds exclusive highlights at no extra cost: with luxury seats in black ARTICO, Seat Comfort Package and the leather steering wheel**. Features such as roof rails in polished aluminium ensure that the exterior really stands out.

EXTERIOR HIGHLIGHTS

Roof rails in polished aluminium

48.3 cm (19-inch) AMG 5-twin-spoke light-alloy wheels, aerodynamically optimised, painted in high-gloss black with a high-sheen finish

Front and rear apron with chrome insert

Shoulderline and windowline trim elements in polished aluminium

INTERIOR HIGHLIGHTS

Luxury seats including Seat Comfort Package

Upholstery in Black ARTICO man-made leather, black Fléron fabric with mid-grey double topstitching

Multifunction sports steering wheel in leather** with black topstitching and 2-part chromed trim

Air vents in silver chrome with outer ring in silver chrome and air guide ring in high-gloss black

Side trim elements in grained black with chromed insert

*Progressive Line available on EQB 250 only. **Leather upholstery may contain some areas upholstered with synthetic ARTICO material to increase durability and reduce long-term wear and tear.

AMG Line.

Confidently shows what it's made of: the EQB with AMG Line*. On the outside, features such as the AMG-specific front apron and the AMG-specific black panel radiator grille reinforce the sense of strong forward thrust. On the inside the sports seats and the multifunction sports steering wheel make it clear that standing still is not an option.

EXTERIOR HIGHLIGHTS

AMG-specific front apron with trim parts in chrome plus functional AIR CURTAINS

AMG-specific black panel radiator grille in twin-blade design with surround in high-gloss black

AMG rear apron in diffuser look with trim part in chrome

50.8 cm (20-inch) AMG multi-spoke light-alloy wheels, aerodynamically optimised, painted in high-gloss black with a high-sheen finish

Side trim elements in grained black with chromed insert

INTERIOR HIGHLIGHTS

Sports seats with adjustable head restraint including Seat Comfort Package

Upholstery in black ARTICO man-made leather/DINAMICA microfibre with red contrasting topstitching

3-spoke multifunction sports steering wheel in nappa leather**, with flattened bottom section, with perforation in the grip area and Touch Control buttons

AMG pedals in brushed stainless steel with rubber studs

Air vents in silver chrome with outer ring in silver chrome and air guide ring in high-gloss black

*AMG Line optionally available on EQB 250 as part of AMG Line Sports Package (DSP). Standard on EQB 350.



Overseas model shown.



Edition 1.

The unique Edition 1*, available for a limited period, combines elements of the Night Package with elements of AMG bodystyling. The exterior has a sporty look with AMG-specific equipment features. In the vehicle interior the back-lit trim part and blue topstitching in seats and doors add clear highlights.

EXTERIOR HIGHLIGHTS

AMG-specific front apron with trim parts in chrome plus functional AIR CURTAINS

AMG-specific black panel radiator grille in twin-blade design with surround in high-gloss black

AMG-specific rear apron in a diffuser look with trim part in chrome

50.8 cm (20-inch) AMG multi-spoke light-alloy wheels, aerodynamically optimised, painted matt copper with a high-sheen finish

INTERIOR HIGHLIGHTS

Upholstery in neva grey leather** with CYBER CUT in blue

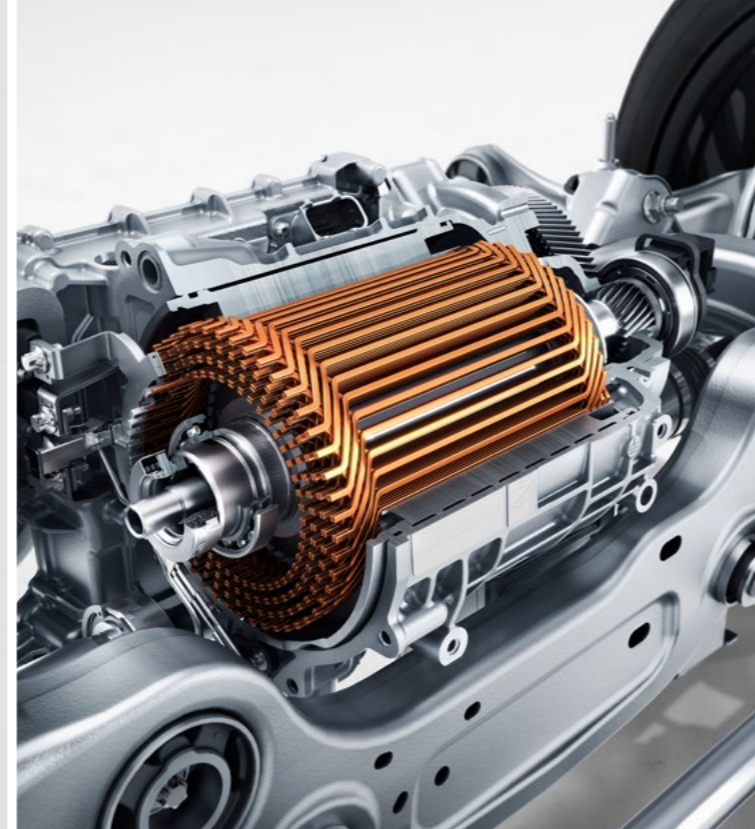
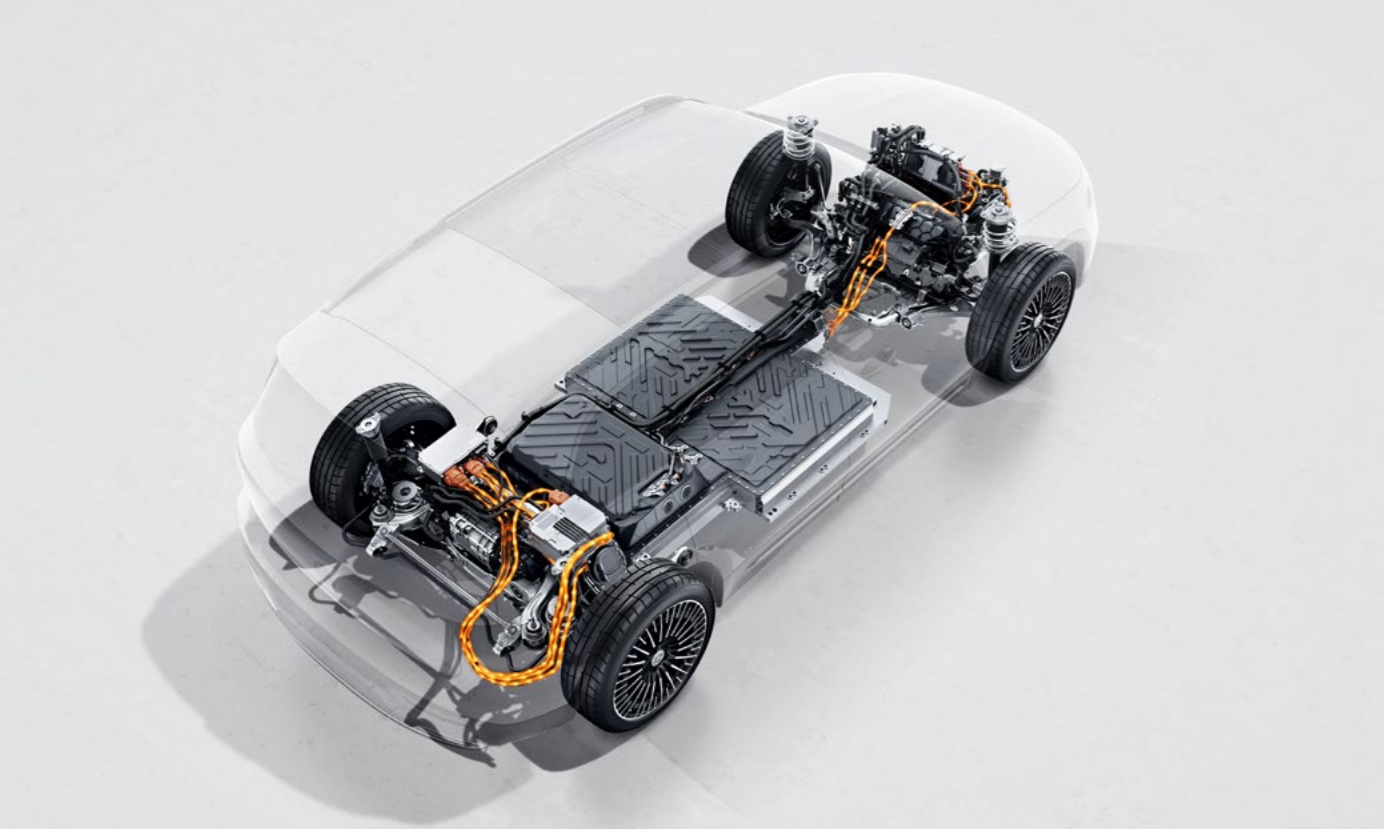
Armrest in black ARTICO man-made leather with blue topstitching

Widescreen Cockpit, consisting of media display and fully digital instrument display, each with 10.25-inch screen diagonal

3-spoke multifunction sports steering wheel in nappa leather**, with flattened bottom section, with perforation in the grip area and Touch Control buttons

Spiral-look trim element, back-lit

*Edition 1 available as optional equipment. Equipment may have changed since publication and is subject to limited availability. Please confirm final details of standard equipment with a participating authorised Retailer prior to purchase.
**Leather upholstery may contain some areas upholstered with synthetic ARTICO material to increase durability and reduce long-term wear and tear.



Electric drivetrain.

Efficiently electric: the drive technology of the EQB offers impressive power delivery for added efficiency, safety, comfort and driving pleasure – hallmark Mercedes-EQ, in fact. Two electric drivetrains (eATS) are used on the all-wheel drive models of the EQB: one at the front axle with an asynchronous motor and one at the rear axle with a permanently excited synchronous unit. From there they put up to 215kW system output on the road. The full torque is available with the first touch of the accelerator pedal, without hesitation during acceleration. Furthermore the EQB with DYNAMIC SELECT supports you through various drive programs with different characteristics – from efficient to sporty, for more driving pleasure in bends and comfort on long journeys.

Driving Assistance Package.

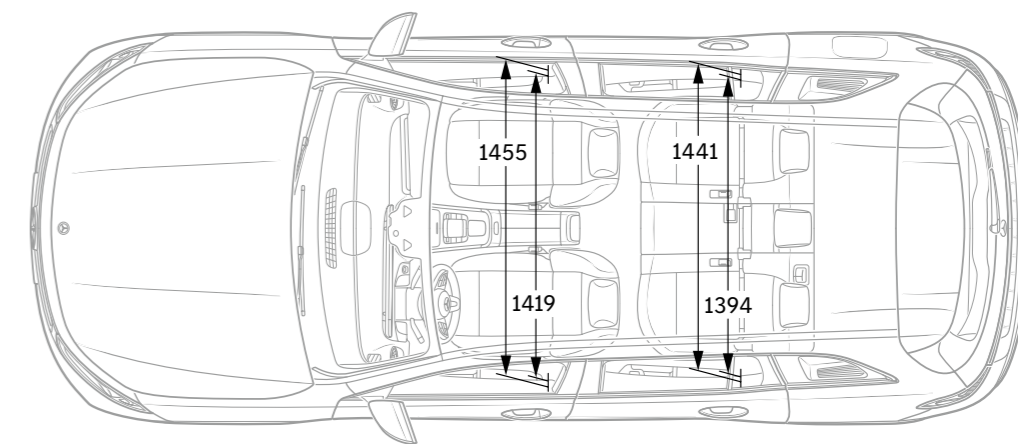
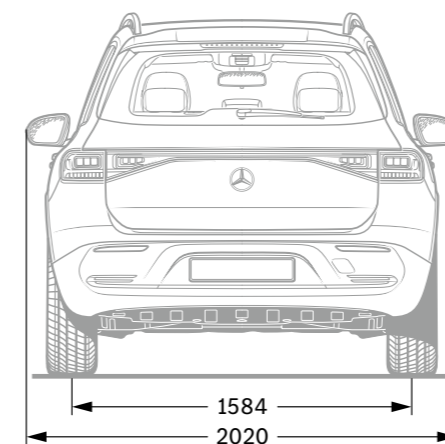
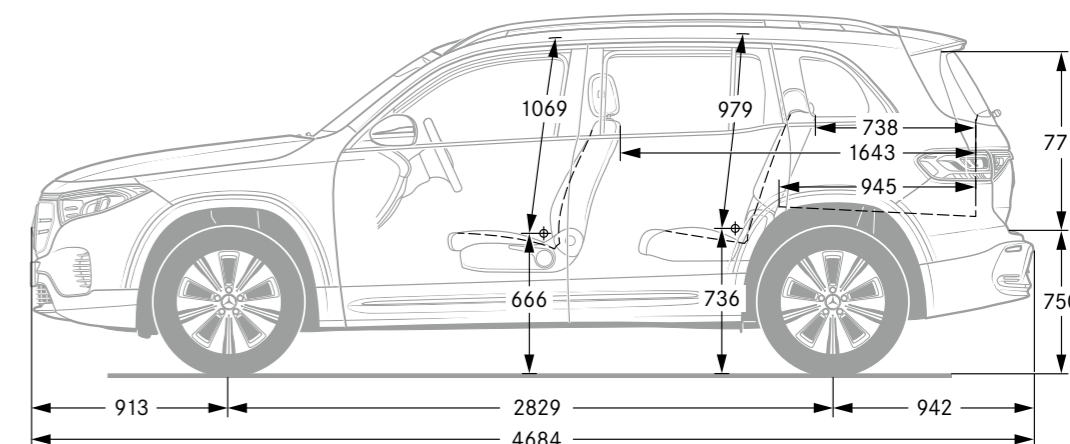
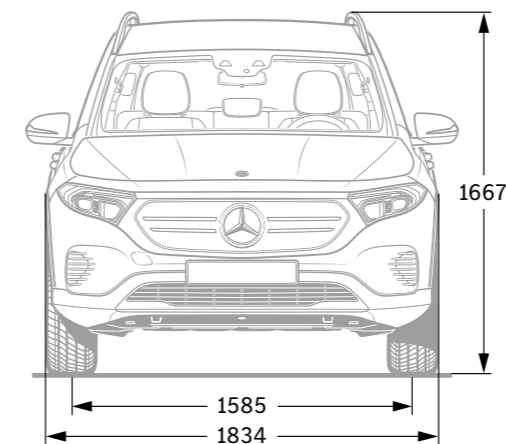
The Driving Assistance Package* sets new standards where safety and ride comfort are concerned: cameras, radar and ultrasound monitor the surroundings and helps provide situation-appropriate support for speed adjustment, steering and when there is the danger of a collision. To supplement this, various data from maps, navigation system and Live Traffic Information are used to assess routes and traffic in real time. The intelligent networking of the information ensures stress-relief and optimum protection for you, your passengers and other road users during the journey.

*Driver assistance and safety systems/features included in Mercedes-Benz vehicles are driver assistance aids only and the driver at all times remains solely responsible for maintaining proper control of the vehicle, ensuring safety and monitoring the driving environment and complying with all applicable laws including but not limited to road rules (eg: adjusting the speed of the vehicle in accordance with the designated speed limits). Systems and features have limitations and may not be accurate in all instances.

Technical data*

	EQB 250	EQB 350 4MATIC
Rated output (peak output) (electric) (kW [hp])	140 [190]/ 3550-11130	Front axle: 215 [292]/ 7130 - 9506, Rear axle: 215 [292]/ 5746 - 7661 rpm
Rated torque of electric motor (Nm at rpm)	385	520
Acceleration from 0 to 100km/h (s)	9.2s	6.2s
Combined CO ₂ emissions (g/km)	0	0
Combined electrical consumption max.-min. ¹ (kWh/100km)	16.7	18.8
Indicative electric range (km)	507	445
Battery type/net battery capacity (kWh)	66.5	66.5
Cd value	0.28	0.28
Boot capacity (l)	495	495
Kerb weight ⁶ (kg)	2059 (5 Seats)/ 2109 (7 seats)	2153
Gross vehicle weight (kg)	2520 (5 seats) / 2725 (7 seats)	2580

Dimensions.



*Figures stated are determined by testing under track and/or standardised laboratory conditions and which are (where applicable) conducted in accordance with ADR 81/02. The figures stated are for the purposes of comparison amongst vehicles tested under the same technical procedures only. Real world figures (particularly acceleration, consumption and range figures) may vary and are influenced by many additional factors such as individual driving style, load, traffic, environmental and road conditions, ambient temperatures and vehicle condition.

All figures in millimetres. The dimensions shown are mean values. They are valid for vehicles with standard equipment and in unladen condition.

Please note: Changes may have been made to the product since the editorial deadline (08.2022).

The manufacturer reserves the right to make changes to the design, form, colour and the product specification during the delivery period, provided these changes, while taking into account the interests of the vendor, can be deemed reasonable with respect to the purchaser. The illustrations may show accessories and items of optional equipment which are not part of standard specification. This publication is distributed internationally. For current and more specific information, please contact your nearest authorised Mercedes-Benz Retailer. www.mercedes-benz.com.au This publication and its text, images, graphics and their arrangements are the property Mercedes-Benz AG. The publication may also contain objects that are subject to the copyright rights of third party providers.

All rights reserved. Reproduction, translation and/or publication in whole or in part is not permitted without prior written consent from Mercedes-Benz Australia/Pacific Pty Ltd. Mercedes-Benz Australia/Pacific Pty Ltd
A.B.N 23 004 411 410
Mercedes-Benz Cars

VIC: LMCT 6776
NSW: MD077327
QLD: MDRC 4343819
ACT: Lic No. 20000323
SA: MVD 298959
WA: MD 28213
TAS: LMCT 6071

MERCEDES-EQ

