

EQC SUV



EQ Electric
Intelligence

Mercedes-Benz



Electric now has a Mercedes.

Embark on a new era. With the all-electric EQC. Smooth progress, practically silent operation and zero local emissions. A captivating and carefree driving experience. Thanks to all-new mobility services and driving safety at the highest Mercedes-Benz level.





The EQC changes our view of the car.

Pioneering mobility is written all over the face of the new EQC. Elements that used to be separated such as the headlamps and the radiator grille are now brought together in a fascinating black-panel radiator grille. The expressive styling of the AMG Line shown here lends the exterior an exciting, dynamic touch. With a specific front apron, distinct rear diffuser and special AMG High Performance light-alloy wheels.



Electric driving at its finest.

The new EQC welcomes you with a new, progressive interior. Many of the trim elements, upholstery material and colours were developed exclusively for the EQC and underscore its uniqueness. The instrument display and the media display combine to create a Widescreen Cockpit beneath a high-quality glass cover. A uniquely sophisticated, high-quality look and feel.

New services and intelligent technologies for carefree mobility.

The new EQC comes with an extensive warranty package which includes a Five years vehicle warranty plus an Eight years battery warranty. You get a battery certificate - our performance promise for the battery - and a wealth of other services, so there is precious little to worry about.



New services for the great feeling of driving a Mercedes.

There is a wide range of warranty options and other services available – leaving you to enjoy the all-electric driving experience in the new EQC without a care in the world. You get a battery certificate – our performance promise for the battery – and a wealth of other services, so there is precious little to worry about.





Even more alluring in the EQ: the Mercedes-Benz User Experience.

MBUX offers users maximum freedom for controlling all functions in the way most comfortable and convenient to them. Using natural speech or intuitive touch control, for example. The media display in the new EQ is designed as a touchscreen, while the centre console includes an integral touchpad that responds to single and multiple-finger gestures as well as handwriting.



Charge at home with the Mercedes-Benz Wallbox.

Fully charge the EQC while relaxing on the sofa – the Mercedes-Benz Wallbox Home makes it possible. With a charging capacity of 7.4 kW you can charge the EQC up to three times quicker than at a conventional household socket.

Overseas model shown.



Charge up while out and about at an increasing number of public charging stations.

Wherever you happen to be: the EQC comes with a complimentary 5 year Chargefox subscription service which gives you access to an extensive network of public charging stations located in the city, at shopping centres or even on interstate highways. For example, for relaxed long-distance trips, you can charge the EQC at Chargefox's ultra-rapid charging stations located throughout Australia. EQC drivers also get free charging on the Chargefox ultra-rapid network.

Overseas model shown.



MULTIBEAM LED.

The new EQC takes in its surroundings at lightening speed – largely thanks to the standard MULTIBEAM LED headlamps with inner housing in high-gloss black, blue trim lines and a distinctive light design. The LED light bands at the front really catch the eye and draw attention, particularly at night.



Burmester® surround sound system.

Experience even more performance and exclusivity with the legendary sound of the Burmester® surround sound system, available as standard. The high-performance speakers deliver first-class surround sound. You can specifically optimise this for the front and rear seats to intensify the listening experience.



EQC-specific light-alloy wheels.

We've rethought almost everything for the EQC. Even the wheels, which are aerodynamically optimized and are available in two unique multi-spoke designs.



ENERGIZING package Plus.

Standard with the Electric Art Line grade, the ENERGIZING package Plus combines luxurious extras to create comfort programs that enhance your physiological safety and sense of well-being. The positive effects support you physically and mentally in monotonous or stressful situations. Ten-minute programs direct the climate control, ambient lighting, music and seat functions such as massage, heating or ventilation.



Optional 21" AMG Multi-spoke alloy wheels painted in gloss black with a high-sheen finish (RWI) shown



AMG Line.

The expressive styling of the AMG Line lends the exterior an exciting, dynamic touch, bringing sporty AMG genes into the realm of electric mobility – your clear statement for combining unique design with equally unique technology. The AMG Line interior lends the inside of the car a more visible and tangible sense of sportiness alongside the electric aesthetics*.

AMG LINE EXTERIOR HIGHLIGHTS

AMG-specific black-panel radiator grille in twin-blade design with surround in high-gloss black

AMG-specific front apron in jet-wing design, air intakes with chrome trim and high-gloss-black inserts as well as visible and functional AIR CURTAINS

Wider, AMG-specific rear apron with visible air outlets (not functional), black diffuser insert and chrome trim

20" AMG Multi-spoke alloy wheels painted in gloss black with a high-sheen finish

AMG LINE INTERIOR HIGHLIGHTS

Sports seats with AMG-specific seat upholstery layout upholstered in leather* with mid grey topstitching

Multifunction sports steering wheel in nappa leather with flattened bottom section, perforated in grip area

Anthracite carbon-fibre-look trim

AMG sports pedals in brushed stainless steel with black rubber studs

AMG floor mats

Electric Art Line.

With the Electric Art interior*, you can carry over the innovative design concept of your vehicle into the interior. The colour scheme in particular, with additional exclusive highlights in rosé gold, characterises the emotive, refined ambience.

INTERIOR HIGHLIGHTS

Upholstery in black leather* (221A) or silk beige/black leather*.

Multifunction steering wheel in leather with chrome spokes and controls

ENERGIZING package Plus (PBR)

AIR-BALANCE package including ionisation, improved air filtering and fragrancing

Dashboard in ARTICO man-made leather with fine surface structure in metallic silver grey and piping in rosé gold

Beltline in black with rosé gold topstitching

Further topstitching in rosé gold on the centre console armrest and front door panelling

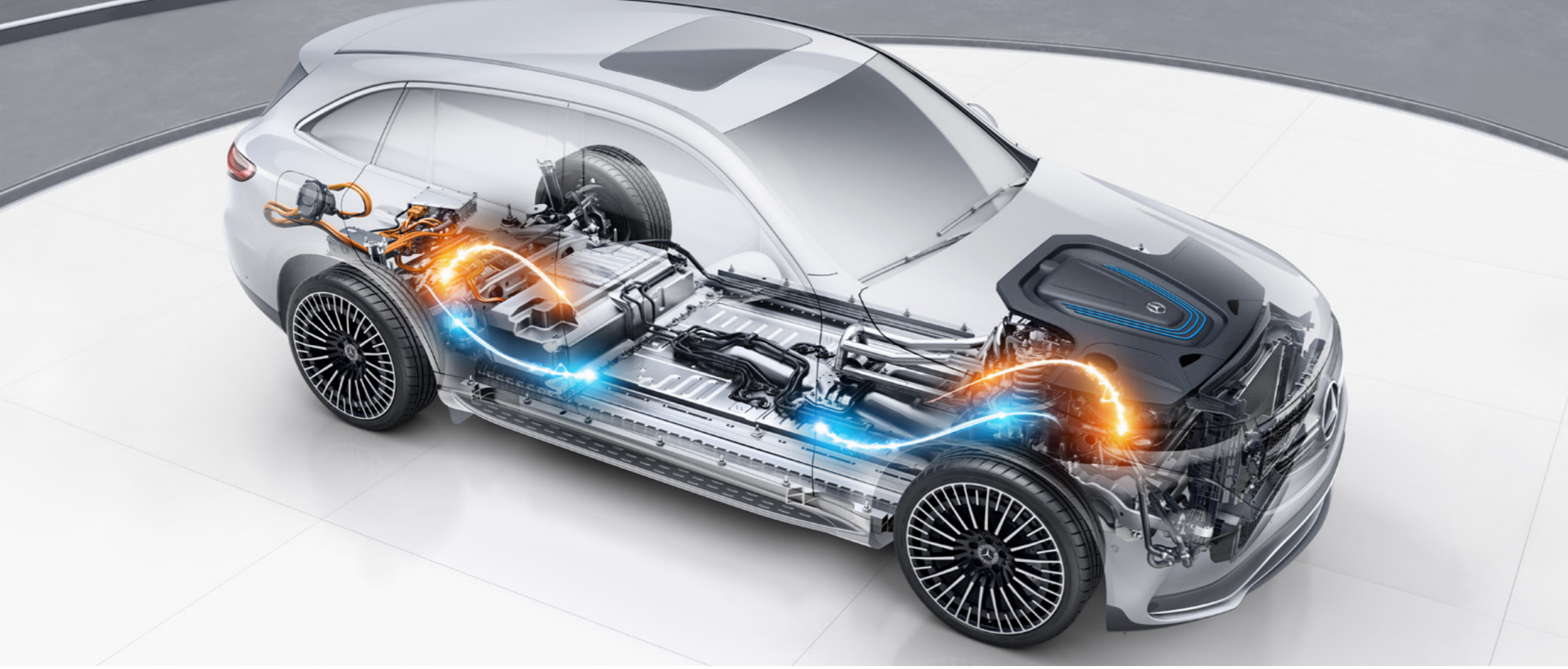
Climatised front seats with seat heating

Multicontour Seat package Velour floor mats

Velour floor mats

*Leather upholstery may contain some areas upholstered with synthetic ARTICO material to increase durability and reduce long-term wear and tear.

*Leather upholstery may contain some areas upholstered with synthetic ARTICO material to increase durability and reduce long-term wear and tear.



Electric drivetrain.

An electric motor on each of the axles converts electrical energy into mechanical energy for impressive forward thrust. Thanks to the intelligent operating strategy of the drive components, the system output of 300 kW (408 hp) is always available when needed – for efficient and practically silent operation. The electric drivetrains have different configurations to reduce electrical consumption and boost dynamism: the front electric motor is optimised to provide maximum efficiency in low to medium load ranges, while its rear counterpart determines the dynamism.



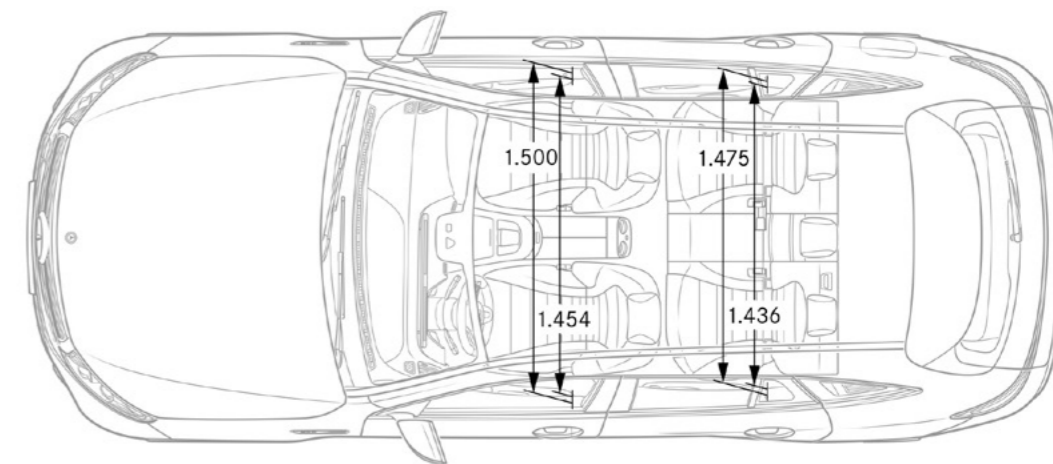
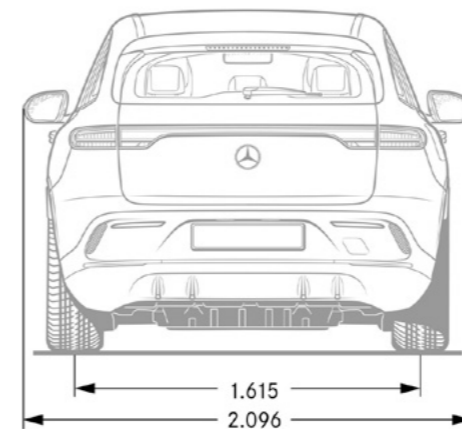
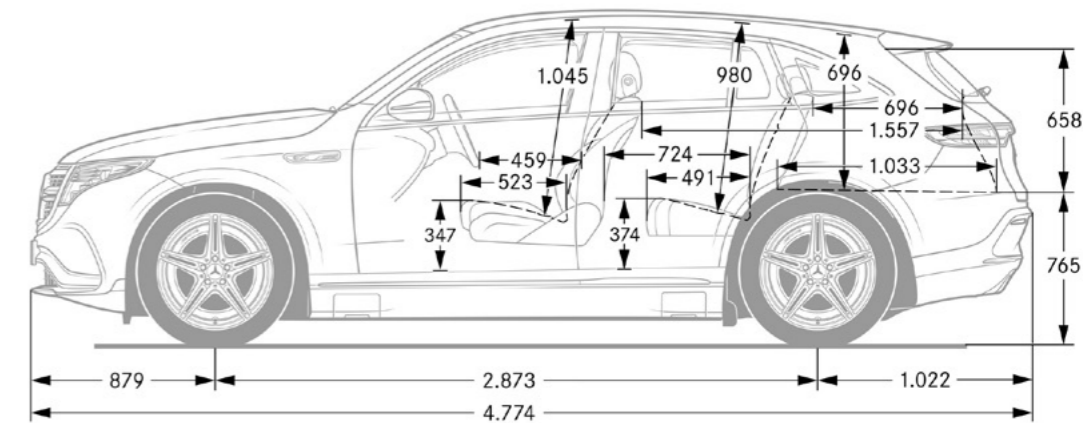
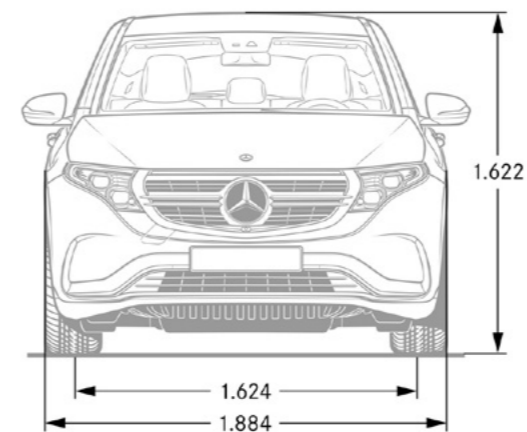
Driving Assistance package.

The Driving Assistance package includes a wealth of sensors for your Mercedes: cameras, radar and ultrasound scan the surroundings, allowing the systems to take care of braking and accelerating for you. Both are precisely adapted to the traffic ahead and take account of bends, roundabouts, junctions and toll stations. Your vehicle can adjust the speed automatically when you turn, exit a motorway or encounter the end of a traffic jam (detected by Live Traffic Information). Smooth steering intervention helps you to keep the vehicle in lane.

Technical data.

EQC 400 4MATIC	
Rated output (peak output) ¹ (electric) (kW [hp])	300 [408]
Rated torque of electric motor ¹ (Nm at rpm)	760
Acceleration from 0 to 100 km/h (s)	5.1
Combined CO ₂ emissions (g/km)	0
Combined electrical consumption (kWh/100 km)	21.4
DC charging time 10–80% SOC (net) 110 kW (min)	approx. 30
AC charging time 10–100% SOC (net) Wallbox/public. 7.4 kW (h)	approx. 8
Battery type/net battery capacity (kWh)	Lithium-ion/80
c _d value	0.28
Boot capacity (l)	500
Kerb weight ⁶ (kg)	2500
Gross vehicle weight rating (kg)	2940

Dimensions.



All figures in millimetres. The illustrated dimensions are mean values. They are valid for vehicles in basic specification and in unladen condition.

The information contained in this document is indicative only and correct at the time of publishing, 1 August 2020 and may have changed since. Packages (including model lines), specifications, features, extras, options and equipment levels are subject to change without notice. Some vehicles or equipment pictured and/or featured may not be available in Australia or may be available in a different specification. Visit www.mercedes-benz.com.au/dealer to contact your

local authorised Mercedes-Benz EQ Agent for current details and information, including pricing. All rights reserved. Reproduction, translation and/or publication in whole or in part is not permitted without prior written consent from Mercedes-Benz Australia/Pacific Pty Ltd.