

# GLC Coupé



Mercedes-Benz







More than an SUV.  
More than a coupé.  
More than ever before.

Some personalities immediately make their mark. With their appearance. Their self-assurance. And their unique character. Much like the new GLC Coupé, which combines the merits of an SUV and a coupé like no other. In a style all of its own. More dynamic and sportier than ever.

This Brochure is prepared by Mercedes-Benz Group AG and it predominantly reflects the capabilities and performance of vehicles sold in Europe. Some characteristics, capabilities, performance features and optional extras (e.g. towing systems) may not be available or may not apply in Australia or under Australian conditions. The information in this Brochure is therefore indicative, illustrative and provided only for guidance and should not be relied on. To obtain current and accurate information on a vehicle and any options applicable to Australia, contact your local authorised Mercedes-Benz retailer.





## Because communication is everything today.

The new GLC Coupé doesn't just listen to what you say, it also responds immediately to your touches and gestures – courtesy of MBUX, the sophisticated Mercedes-Benz User Experience with a wealth of new control and display features. Like the large media display with touch function or the fully digital instrument cluster with navigation display.






Something special.  
On every trip, from any angle.

More sporty than ever, the new GLC Coupé really catches the eye. With wider aprons, new tailpipe trims, and LED High Performance headlamps sporting a cutting-edge light design fitted as standard for the first time. The AMG Line and a host of new wheel designs take its unique sporty and elegant character to the highest level.



A high-angle, close-up view of the front interior of a luxury car. The image shows the driver's seat on the left and the passenger seat on the right, both upholstered in dark leather with a perforated pattern. The center console is visible, featuring a gear shifter and handbrake. The dashboard and steering wheel are also visible, with a large infotainment screen mounted on the dashboard. The car's interior is illuminated with ambient lighting, and a red light strip is visible on the right side of the dashboard.

## Take a seat and enjoy the view.

An exceptionally sporty and refined interior welcomes you on board. Large displays, smooth transitions and the finest new upholstery let you experience modern luxury with all the senses. Optional ENERGIZING packages give you new strength and energy while the optional Burmester® surround sound system indulges you with top-class sound.



## The rear end: the start of something new.

The new GLC Coupé's rear end is eye-catchingly athletic and sporty. Powerful contours combine here with sensual, pure lines to dynamic effect. The impressive apron, the stylish chrome elements and the tailpipe trims integrated in the bumper all stand out here. The slender LED tail lights with cutting-edge light design are particularly striking.





Sit in an SUV.  
Drive a sports coupé.

Every metre and every second become a sporting event in the new GLC Coupé. It is even more agile with the DYNAMIC BODY CONTROL suspension available as standard, which lets you individualise the vehicle's damping and handling characteristics. At the touch of a button, for a noticeably more comfortable or more dynamic driving experience. Three options are available for this: "Comfort", "Sport" and "Sport+".







## Energising comfort and exemplary safety.

During rush hour, on long drives at night, or on unfamiliar routes – your new GLC Coupé noticeably takes the strain out of driving, particularly in stressful situations. It's all down to a concept that makes every journey in a Mercedes-Benz a safer and unique experience: Mercedes-Benz Intelligent Drive. Because the time you spend behind the wheel is your time. Time for relaxation. Time to replenish your energy. So that, first and foremost, you reach your destination safely, but are also relaxed when you get there.

### EQUIPMENT HIGHLIGHTS – DRIVING ASSISTANCE SYSTEMS

**Driving Assistance package\***. Hit the road to autonomous driving: state-of-the-art systems assist you in many situations: adjusting the speed, steering, changing lanes, and even when there is a risk of a collision. The system aims to reduce risk of an accident and better protect passengers and road users. This way you are able reach your destination relaxed and safe.

The innovative **PRE-SAFE® Sound** system generates a sound signal through the loudspeakers that can trigger a protective reflex: your auditory system briefly disconnects, thereby protecting itself from the loud noise of a crash.

**Parking package with 360° camera**. Almost like having a valet on board. Active Parking Assist with 360° camera makes it easier for you to find a parking space and to manoeuvre into and out of parking spaces. Here the choice is yours: park with ease yourself thanks to all-round visibility – or make things even easier still by getting the car to park for you.

\* The driver at all times remains solely responsible for monitoring the driving environment and observing all traffic and / or speed signs as well as complying with all applicable road rules. In particular, when accepting the displayed speed restriction when Active Distance Assist DISTRONIC, cruise control, or the speed limiter is activated. It is the driver's responsibility to adjust the speed of the vehicle in accordance with the designated speed limits.



## Mercedes-Benz User Experience.

In the new GLC Coupé, you can now control almost everything as intuitively as you do on your smartphone. Simply by using the large touchscreen, the new touchpad, or the Touch Control buttons on the new steering wheel. One touch is all it takes to adjust the display style, the ambient lighting, or the infotainment to meet your needs.

### EQUIPMENT HIGHLIGHTS – CONTROL AND DISPLAY CONVENIENCE

With the **MBUX voice control** option, the new GLC Coupé not only listens to you, it hangs on your every word and talks to you. You can converse with your car in a perfectly natural manner to adjust and control virtually all the functions in the car. Simply say "Hey Mercedes", and the new GLC Coupé will be all ears.

The high-resolution 10.25-inch **MBUX media display** with touch control plays your multimedia content in razor-sharp quality and with brilliant images. The design of the large display with its extensive glazing will also impress you. The display reacts directly to your touch inputs, as with your smartphone or tablet.





### Fully digital instrument cluster.

The fully digital instrument display with the display styles “Classic”, “Progressive” and “Sporty” enables you to decide which information is important to you and in which way you wish to have it displayed. The 31.2 cm (12.3-inch) display delivers a pin-sharp image which is very easy to read in all light conditions.



### Burmester® surround sound system.

With the optional Burmester® surround sound system your new GLC Coupé becomes a concert hall. 13 high-performance speakers, a 9-channel DSP amplifier, a total system output of 590 W, and electronic and acoustic elements tailored precisely to the interior conjure up a unique sound. The surround function and the sound optimisation for the front and rear seats provide an even more intensive listening experience.



### MULTIBEAM LED headlamps.

Perfect visibility for you: the adaptive MULTIBEAM LED headlamps have individually controllable LEDs that react to the traffic situation. Partial main beam shines past other road users without dazzling them. ULTRA RANGE main beam increases the range to the permitted maximum. The Active Light System and cornering lights further optimise illumination of the way ahead.



### Sporty wheel design.

There's no stopping the new GLC Coupe – it is forever evolving. An even broader range of exclusive, optional wheels are now available, offering a host of new rim designs. From 45.7 cm (18 inches) to 50.8 cm (20 inches), from elegant to sporty: the choice is yours.





## DYNAMIC BODY CONTROL.

With the DYNAMIC BODY CONTROL suspension, you can adapt the new GLC Coupe's damping and handling characteristics to your individual needs. At a touch of a button, for a noticeably more comfortable or more dynamic driving experience. Three options are available for this: "Comfort", "Sport" and "Sport+", according to whether you are looking for particularly comfortable, sporty or extra sporty handling. The damping is continuously variable and is adjusted individually for each wheel for even better driving safety and ride comfort



## 4MATIC all-wheel drive.

On tarmac or light off-road terrain: 4MATIC lets the new GLC Coupé show its impressive strength in adverse weather conditions such as rain, black ice or snow. Thanks to the interplay between the individual wheels, the permanent all-wheel drive is able to ensure exemplary driving stability and traction at all times. For greater dynamism, comfort and safety overall.



## Technical data.

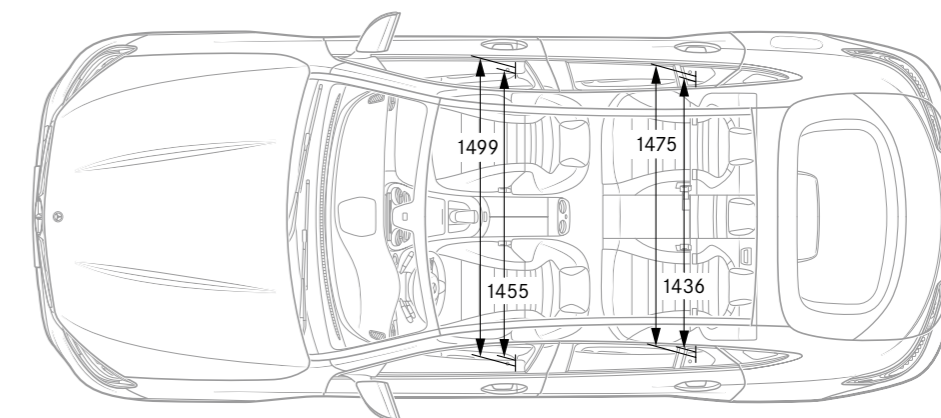
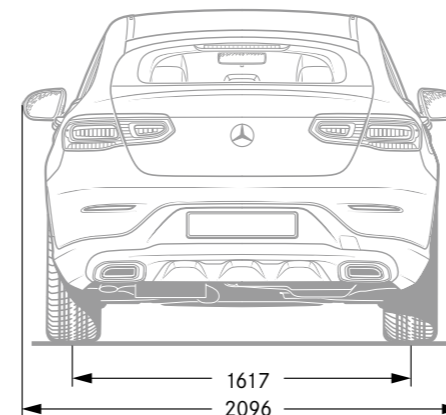
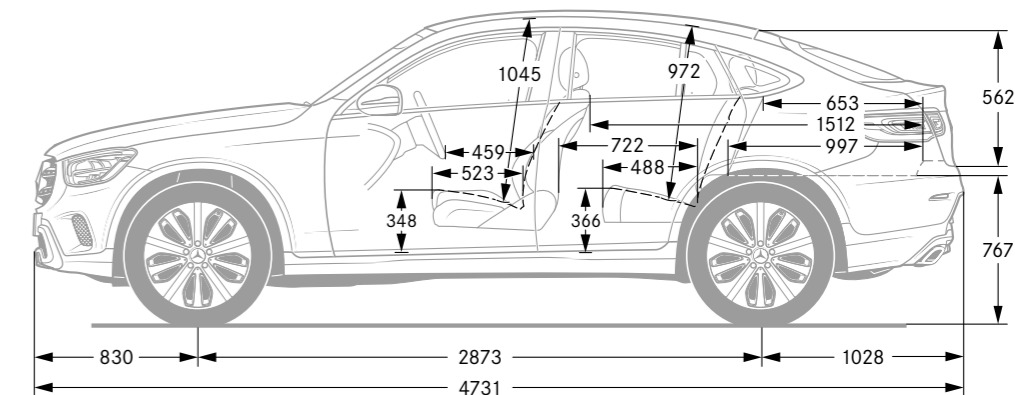
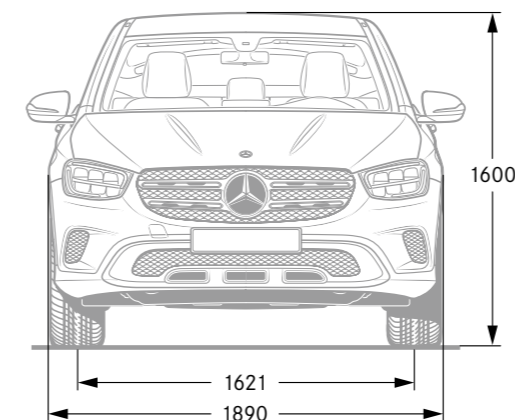
Petrol engines			
GLC 300	GLC 43	GLC 63 S	
Displacement (cc)	1991	2996	3982
Rated output <sup>1</sup> (kW [HP] at rpm)	190 [258] @ 5800-6100	287 [390] @ 5500-6000	375 [510] @ 5500-6250
Acceleration from 0 to 100 km/h (s)	6.3	4.9	3.8
Top speed (km/h)	240	250	250
Fuel consumption (l/100 km)			
Urban	10.5	14.5	18.0
Extra-urban	6.5	8.0	8.9
Combined	8.1	10.4	12.2
Combined CO <sub>2</sub> emissions (g/km)	181	235	277

Petrol engines			
GLC 300	GLC 43	GLC 63 S	
Displacement (cc)	1991	2996	3982
Rated output <sup>1</sup> (kW [HP] at rpm)	190 [258] @ 5800-6100	287 [390] @ 5500-6000	375 [510] @ 5500-6250
Acceleration from 0 to 100 km/h (s)	6.3	4.9	3.8
Top speed (km/h)	240	250	250
Fuel consumption (l/100 km)			
Urban	10.5	14.5	18.0
Extra-urban	6.5	8.0	8.9
Combined	8.1	10.4	12.2
Combined CO <sub>2</sub> emissions (g/km)	181	235	277

The best for the engine:  
Mercedes-Benz genuine engine oils.

The declared fuel and energy consumption figures are determined by testing under standardised laboratory conditions in accordance with ADR 81/02. The fuel and/or energy consumption stated are for the purposes of comparison amongst vehicles tested under the same technical procedures only. Real world fuel and/or energy consumption may vary and is influenced by many additional factors such as, individual driving style, load, traffic, ambient temperature and vehicle condition or fuel quality (as applicable). For more technical data, please visit [www.mercedes-benz.com.au](http://www.mercedes-benz.com.au)

## Dimensions.



All figures in millimetres. The illustrated dimensions are mean values. They are valid for vehicles in basic specification and in unladen condition.





# SPORT — F O R — GOOD

Mercedes-Benz is one of the founding partners of the worldwide “Laureus Sport for Good Foundation”, which was established in 2000. It is the Mercedes-Benz brand’s most important social initiative. Laureus Sport for Good supports children and young people in need through social sports projects, opening up new perspectives and imparting important values such as team spirit, respect and determination. “Change the Game for Kids” is our mission statement which we wish to share with you. In buying a Mercedes-Benz you are supporting the “Laureus Sport for Good” movement.

About the information in this publication: Changes may have been made to the product since the editorial deadline on 13.07.2018. The manufacturer reserves the right to make changes to the design, form, colour and the delivery scope during the delivery period, provided these changes, while taking into account the interests of the seller, can be deemed reasonable for the buyer. Where the seller or the manufacturer uses symbols or numbers to describe an order or the subject of an order, no rights may be derived solely from these. The illustrations may also show accessories and

optional equipment, which are not part of the standard delivery scope. Therefore, please ask your Mercedes-Benz sales representative about the provisions and effects applicable in other countries and about the latest definitive version.  
[www.mercedes-benz.com.au](http://www.mercedes-benz.com.au)