

The GLC

Sport Utility Vehicle



Mercedes-Benz



A strong character with new facets.

The new GLC is more intelligent, dynamic and self-assured than ever. With a fascinatingly cutting-edge operating system that adapts more accurately to your needs and preferences every day. With an even more expressive SUV design. And with comfort and safety systems that attend better than ever to you and your well-being.



This Brochure is prepared by Mercedes-Benz Group AG and it predominantly reflects the capabilities and performance of vehicles sold in Europe. Some characteristics, capabilities, performance features and optional extras (e.g. towing systems) may not be available or may not apply in Australia or under Australian conditions. The information in this Brochure is therefore indicative, illustrative and provided only for guidance and should not be relied on. To obtain current and accurate information on a vehicle and any options applicable to Australia, contact your local authorised Mercedes-Benz retailer. The declared fuel and energy consumption figures are determined by testing under standardised laboratory conditions to comply with ADR 81/02. Real world fuel consumption is influenced by many additional factors such as fuel quality, individual driving style, load, traffic, and vehicle condition. The declared fuel consumption figure should only be used for the purpose of comparison amongst vehicles.

The image shows the driver's side interior of a Mercedes-Benz GLC. The steering wheel is black with a perforated grip and features the Mercedes-Benz logo in the center. Behind it, the instrument cluster is a digital display showing speed, temperature, and other metrics. The center console has a large touchscreen display at the top, three circular air vents in the middle, and a row of physical buttons below them. The gear shifter is visible at the bottom of the console. The interior is finished with black leather and red accents on the door panels and seats.

Come on in!
The new GLC has plenty of
surprises in store.

A whole new way of operating a car. Simple. Intuitive. With words, touch or gestures. This is MBUX – the new Mercedes-Benz User Experience. The highlights: new digital displays and touch control elements, a natural speech recognition system plus the ability to adapt itself better to you each day.

Treat your eyes to something special.

Nothing appeals to the eye more than an aura of strength and athleticism. And the new GLC with the optional AMG Line has a particularly sporty charisma. With its broader shoulders, integrated tailpipe trim and new rim designs, it conveys an even greater sense of power and dominance. In addition, the new flattened tail lights feature LEDS as standard for the first time.





Top up your energy levels.

Everything here in the interior has just one objective: to make the time you spend here as enjoyable as possible. With ENERGIZING packages* to enhance your sense of wellbeing as and when you need them. With new sports seats* for tangibly more lateral support and comfort. And with a Burmester® surround sound system* that can turn your music, upon request, into a superb audio experience.

*Available as optional equipment.



Commanding presence from a standing start.

A more striking radiator grille, more elegant chrome elements, and slimmer headlamps lend the front end of the new GLC an even more commanding SUV-style presence.



Only the new GLC handles like this.

Adaptive suspension systems, all-wheel drive, and an electrified engine variant in the form of the GLC 300 e. All of this is possible for the new GLC. Among the absolute highlights available are the optional AIR BODY CONTROL air suspension system for exceptional driving stability and the practical 4MATIC all-wheel drive system*.

*Not available on GLC 200.



Energising comfort and exemplary safety.

During rush hour, on long drives at night, or on unfamiliar routes – your new GLC noticeably takes the strain out of driving, particularly in stressful situations. It's all down to a concept that makes every journey in a Mercedes-Benz a safer and exceptional experience: Mercedes-Benz Intelligent Drive. Because the time you spend behind the wheel is your time. Time for relaxation. Time to replenish your energy. So that, first and foremost, you reach your destination safely, but are also relaxed when you get there.

EQUIPMENT HIGHLIGHTS – DRIVING ASSISTANCE SYSTEMS

Driving Assistance package*. Get started on your way to autonomous driving: the GLC's sophisticated systems will help you with, depending on the situation, adjusting your speed, steering, changing lane and even if a collision appears imminent. The system aims to reduce risk of an accident and better protect – passengers and road users. This way you are able to reach your destination relaxed and safe.

The innovative **PRE-SAFE® Sound** system generates a hissing noise from the loudspeakers that can trigger a protective reflex: your auditory system briefly disconnects, so enabling it to protect itself from the loud noise of a crash.

Parking package with 360-degree camera. Optimum parking service on board. Active Parking Assist with 360-degree camera makes it easier for you to find a parking space and to manoeuvre into and out of parking spaces. The choice is yours: benefit from the car's all-round visibility to park it yourself – or let it take the strain and do the parking for you.

*Driving Assistance Package available as optional equipment on GLC 200. Available as standard equipment on all other variants. The driver at all times remains solely responsible for monitoring the driving environment and observing all traffic and / or speed signs as well as complying with all applicable road rules. In particular, when accepting the displayed speed restriction when Active Distance Assist DISTRONIC, cruise control, or the speed limiter is activated. It is the driver's responsibility to adjust the speed of the vehicle in accordance with the designated speed limits.



Mercedes-Benz User Experience.

You can now control and adjust almost everything intuitively using just one finger in the new GLC. It's all very straightforward, via either the large touchscreen, the new touchpad or the Touch Control buttons on the new steering wheel. A quick tap is all it takes to customise the style of the display, the ambient lighting or the infotainment system to your requirements.



EQUIPMENT HIGHLIGHTS – CONTROL AND DISPLAY CONVENIENCE

The high-resolution 10.25-inch **MBUX media display** with touch control plays your multimedia content in razor-sharp quality and with brilliant images. The design of the large display with its extensive glazing will also impress you. The display reacts directly to your touch inputs, as with your smartphone or tablet.

MBUX voice control. The MBUX (Mercedes-Benz User Experience) infotainment system with intuitive voice control is available as an option for the new GLC. It understands what you say and obeys your commands using natural speech recognition. Two words are all it takes: "Hey Mercedes". And the new GLC is all ears.





Intuitive touch-control concept.

A touchscreen, a touchpad and Touch Control buttons on the steering wheel bring a whole new meaning to vehicle control. Like second nature, thanks to MBUX – with intuitive touches, voice control and gestures.



Fully digital instrument cluster*.

The fully digital instrument display with the display styles “Classic”, “Progressive” and “Sporty” enables you to decide which information is important to you and how you wish to have it displayed. The 31.2 cm (12.3-inch) display delivers a pin-sharp image which is very easy to read in all light conditions.

*Option package/optional equipment/wheel/colour/upholstery/trim (as applicable) (in whole or in part) may have changed since publication and are subject to availability. Please confirm final details with a participating authorised retailer prior to purchase.



Burmester® surround sound system.

The optionally available Burmester® surround sound system turns your new GLC into a unique acoustic experience. The system is based on a wealth of perfectly orchestrated components that have been fine-tuned to the vehicle interior: 13 high-performance speakers, Frontbass technology and a 9-channel DSP amplifier with a total output of 590 watts. For outstanding audio quality with high sound-level reserves.



Sports seats.

The new optionally available AMG Line sports seats offer you appreciably more lateral support and comfort, particularly when driving at high speed. Visual highlights include the fine two-tone upholstery in cranberry red and black ARTICO man-made leather as well as the unique and exciting AMG design.



Adaptive suspension systems.

The new GLC not only adapts to the road surface, it also responds to your needs: the AGILITY CONTROL suspension, configured for outstanding ride comfort, comes as standard. Also available: 4MATIC all-wheel drive and the exceptionally sporty optional DYNAMIC BODY CONTROL suspension with steel springs and adjustable damping. One of the absolute highlights: the optional AIR BODY CONTROL air suspension for exceptional driving stability coupled with outstanding comfort and agility.



4MATIC all-wheel drive.

When moving off or accelerating, during dynamic cornering or in easy off-road terrain: 4MATIC, the improved permanent all-wheel drive system from Mercedes-Benz, ensures superb off-road performance and optimum traction as standard with many of the engine variants in the new GLC. The all-wheel-drive system is constantly active and does not require any time to react and intervene. In this way it ensures unique directional and driving stability, especially on a slippery surface caused, for example, by rain, ice or snow.

*Not available on GLC 200.

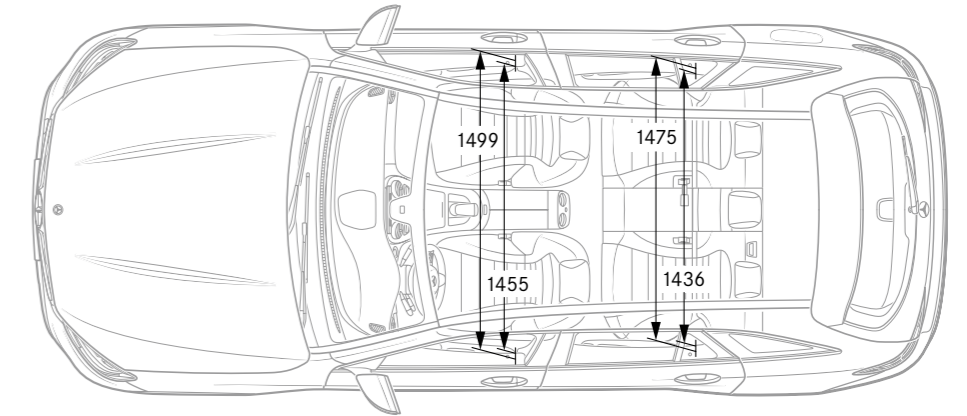
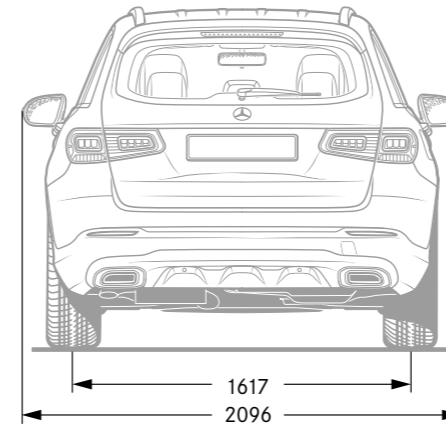
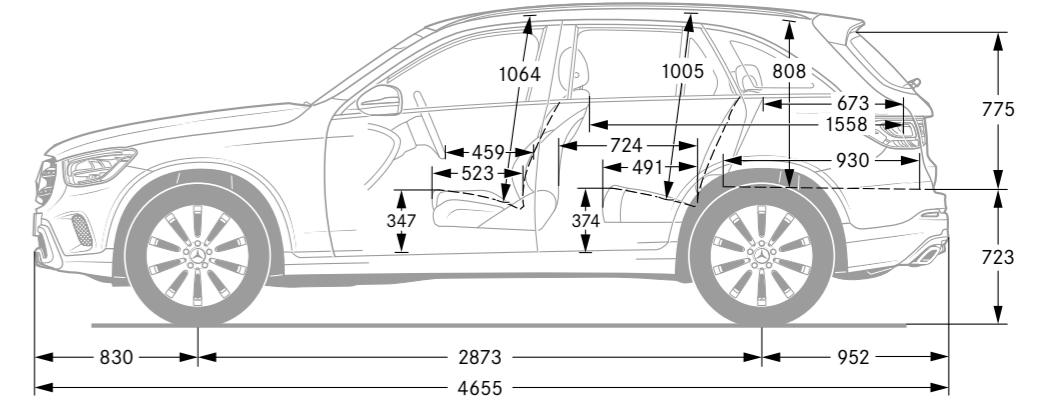
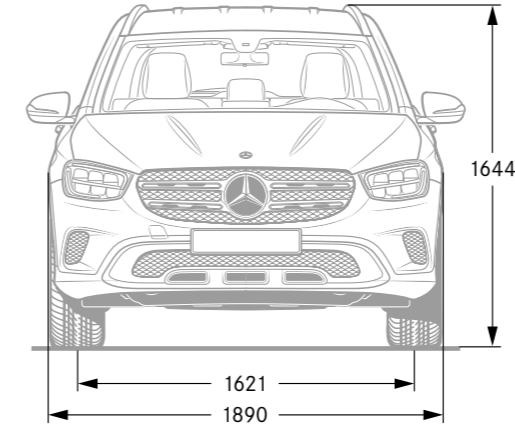
Technical data.

	Petrol engines				
	GLC 200	GLC 300	GLC 300 e	GLC 43	GLC 63 s
Displacement (cc)	1991	1991	1991	2996	3982
Rated output ¹ (kW [HP] at rpm)	145 [197] @ 5500-6100	190 [258] @ 5800-6100	TBA	287 [390] @ 5500-6000	375 [510] @ 5500-6250
Acceleration from 0 to 100 km/h (s)	7.8	6.2	TBA	4.9	3.8
Fuel consumption (l/100 km)					
Urban	10.2	10.5	TBA	14.5	18.0
Extra-urban	6.3	6.5	TBA	8.0	8.9
Combined	7.8	8.1	TBA	10.4	12.2
Combined CO ₂ emissions (g/km)	176	181	TBA	235	277

The best for the engine:
Mercedes-Benz genuine engine oils.

The declared fuel and energy consumption figures are determined by testing under standardised laboratory conditions to comply with ADR 81/02. Real world fuel consumption is influenced by many additional factors such as fuel quality, individual driving style, load, traffic, and vehicle condition. The declared fuel consumption figure should only be used for the purpose of comparison amongst vehicles. For more technical data, please visit www.mercedes-benz.com.au

Dimensions.



All figures in millimetres. The illustrated dimensions are mean values. They are valid for vehicles in basic specification and in unladen condition.



SPORT - FOR - GOOD

Mercedes-Benz is one of the founding partners of the worldwide "Laureus Sport for Good Foundation", which was established in 2000. It is the Mercedes-Benz brand's most important social initiative. Laureus Sport for Good supports children and young people in need through social sports projects, opening up new perspectives and imparting important values such as team spirit, respect and determination. "Change the Game for Kids" is our mission statement which we wish to share with you. In buying a Mercedes-Benz you are supporting the "Laureus Sport for Good" movement.

About the information in this publication: Changes may have been made to the product since the editorial deadline on 13.07.2018. The manufacturer reserves the right to make changes to the design, form, colour and the delivery scope during the delivery period, provided these changes, while taking into account the interests of the seller, can be deemed reasonable for the buyer. Where the seller or the manufacturer uses symbols or numbers to describe an order or the subject of an order, no rights may be derived solely from these. The illustrations may also show accessories and

optional equipment, which are not part of the standard delivery scope. Therefore, please ask your Mercedes-Benz sales representative about the provisions and effects applicable in other countries and about the latest definitive version.

www.mercedes-benz.com.au