

The Mercedes-Maybach S-Class



Mercedes-Benz



The wealth of independence.

Maintaining the tradition of the legendary brand for top-class luxury vehicles, we are redefining the ultimate in luxury like never before. Step aboard and experience a new level of exclusivity, innovation and excellence.



*This Brochure is prepared by Daimler AG and it predominantly reflects the capabilities and performance of vehicles sold in Europe. Some characteristics, capabilities, performance features and optional extras (e.g. towing systems) may not be available or may not apply in Australia or under Australian conditions. The images and information in this Brochure is therefore indicative, illustrative and provided only for guidance and should not be relied on. To obtain current and accurate information on a vehicle and any options applicable to Australia, contact your local authorised Mercedes-Benz retailer.

A symbol of modern aesthetics
and luxurious spaciousness.

Poise and assurance characterise the unique design, underscored by the mighty chrome radiator grille with “Maybach” lettering and the bonnet trim strip at the powerful front end. All around the vehicle, many other chrome details shine brilliantly, perfectly complemented by the legendary optional two-tone paint finish if desired.





Your comfort is always the focus.

We constantly have new ideas for innovative and exclusive comfort in the rear. Currently, for example, the comfort doors that open in a relaxed manner at the touch of a button. Or the seat belt feeder, which is simply very convenient for you. And on long journeys, the calf massage and the heated neck cushions can bring real pleasure.

*Business Class Package shown available as optional equipment.

Ready to assist you at any time*.

The vehicle's surroundings are now monitored even more precisely and with greater foresight, to mitigate risks. From DIGITAL LIGHT** to the extended Driving Assistance Package and rear airbags, the new generation offers a further boost to confidence.

*Driver assistance and safety systems/features included in Mercedes-Benz vehicles are driver assistance aids only and the driver at all times remains solely responsible for maintaining proper control of the vehicle, ensuring safety and monitoring the driving environment and complying with all applicable laws including but not limited to road rules (eg: adjusting the speed of the vehicle in accordance with the designated speed limits). Systems and features have limitations and may not be accurate in all instances.

** Projection functions are not available with DIGITAL LIGHT.





Experience inspiration and first-class feel-good comfort in the rear compartment*.

Move the Executive seat to a comfortable position. Be inspired by the electric centre console and the MBUX Interior Assist, and control comfort and entertainment functions. Enjoy the variety offered by the MBUX high-end Rear Seat Entertainment System or work in relaxed style with the MBUX rear tablet**.

*Business Class Package available as optional equipment.

**Whilst Mercedes-Benz Australia/Pacific Pty Ltd (MBAuP) shall use its reasonable endeavours to provide an uninterrupted experience, we cannot guarantee ongoing or uninterrupted supply of all applications, multimedia, connectivity and software solutions (Applications and Data Content) contained within or associated with the vehicle, which may be subject to interruption, change, discontinuance or limitations (eg where there is a change to our third party service providers on which the feature or service relies; where there is a regulatory change or change in law affecting the feature or service; where, in our discretion, we amend or replace the feature or service). Please refer to the relevant terms and conditions for more information including device compatibility, connectivity and capability requirements.

^Designo crystal white/silver grey pearl upholstery shown not available locally.



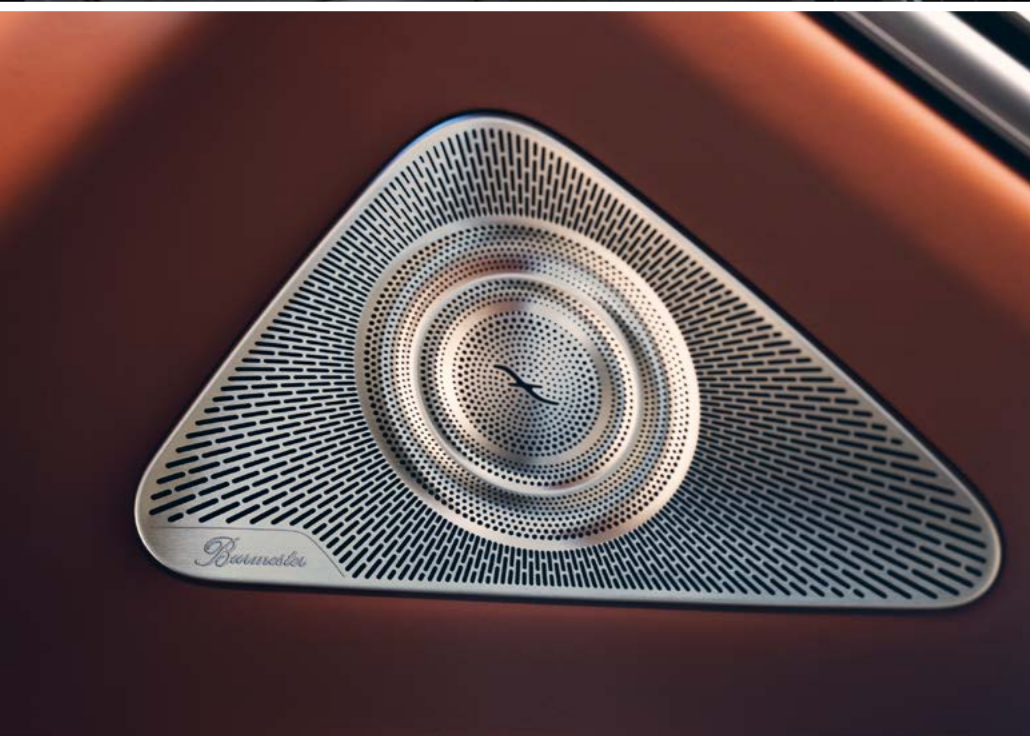
Unique rear view with exceptional recognition value.

The two-part tail lights with animated functions are fascinating as a new design element and contribute to the high value appeal and unmistakable night design. In harmony with the front and side views of the top model in the Mercedes-Benz passenger car fleet, they form the perfect finishing touch to this masterpiece.



Ambient lighting.

Showcase the interior according to personal preference or simply your current mood. The 64 colours of the ambient lighting create exciting colour schemes, which can alternate dynamically or illuminate individual areas in different colours – including the two Maybach light colours twinkle-star and rosé gold.



Burmester® high-end 4D surround sound system.

Enjoy music as a unique 4D experience. Eight speaker-like exciters in the seats unfold this new sound dimension with a sound massage. 30 high-end surround speakers, also integrated in the seats, and a subwoofer optimise the surround sound up to a total output of 1750 W.



MBUX augmented reality head-up display*.

The MBUX augmented reality head-up display turns the windscreen into an extension of the digital cockpit. Transparent projections onto the windscreen augment the driver's field of vision with relevant information about the current driving situation.



Discover the age of intuitive ease of use.

The combination of 3D cockpit display, MBUX head-up display with augmented reality* in the front windscreen and the central OLED touch display represents an innovative and at the same time intuitive control concept. Thanks to MBUX voice control, the vehicle can adapt to your requirements and support you.

*Head-up display is a driver's aid function only. Driving whilst distracted must be avoided and the driver is solely responsible at all times for remaining focused on driving. Display may not be visible with certain eyewear (such as polarised glasses).

Exclusive Package.

Enjoy a wonderful ambience courtesy of the Exclusive Package. Virtually all surfaces are finished in exquisite nappa leather*, the roof liner in high-quality DINAMICA microfibre. This exceptional high-class appeal is perfectly complemented by additional trim elements.

*Leather upholstery may contain some areas upholstered with synthetic ARTICO material to increase durability and reduce long-term wear and tear

MBUX Interior Assist in the rear.

Intelligent and intuitive: the MBUX Interior Assist system in the rear only has eyes for you, and can pick up on your wishes using just your movements. Experience a luxury driving experience where you can lean back and relax, while being able to keep almost everything under control by merely raising your hand.

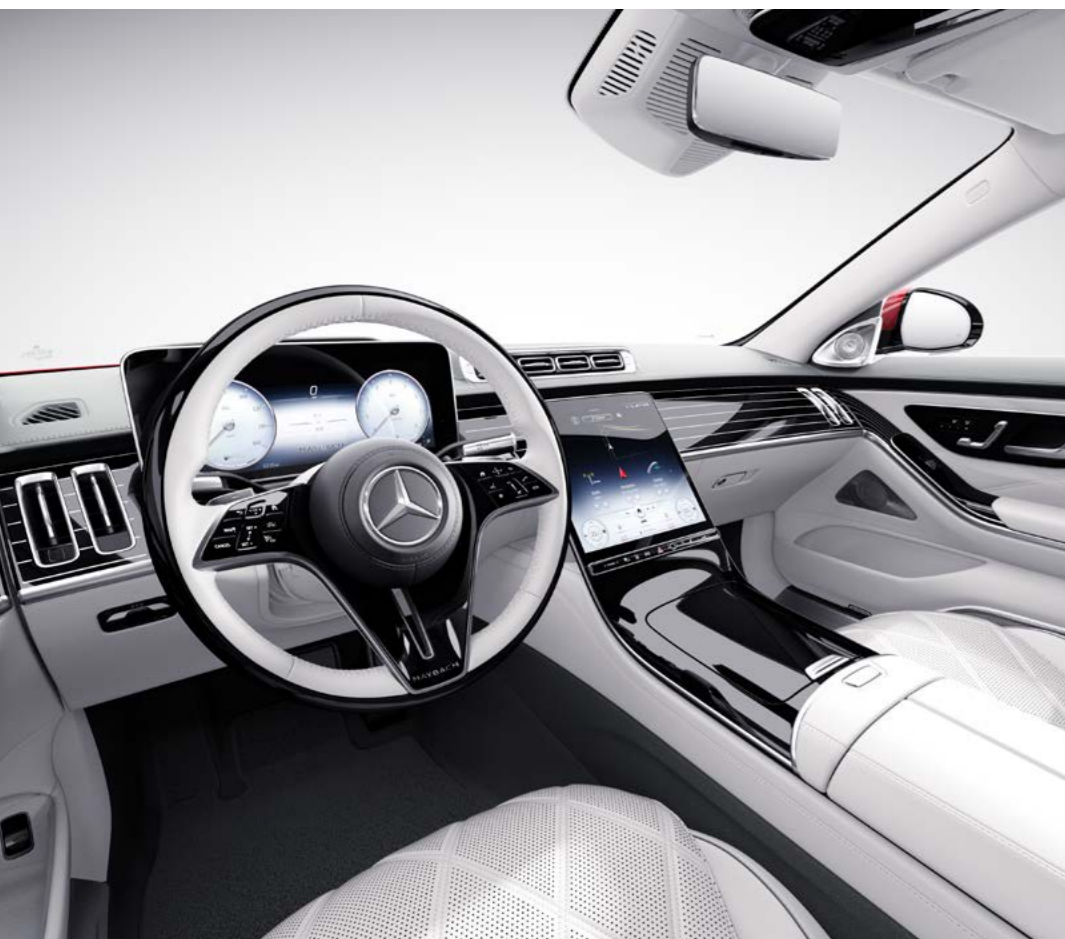
Parking Package with 360° camera.

Exclusive parking service with all-around visibility: Active Parking Assist with PARKTRONIC and 360° camera detects available parking spaces as you drive past. After selecting a parking space you can enter it effortlessly thanks to dynamic visualisation and acoustic feedback – or have the vehicle enter the parking space with assistance.

Rear Seat Comfort Package.

Optimum seating comfort in the rear: the multicontour seats impress with more than just their optimum seating position. A range of massage programs ensures that they can also have a revitalising or relaxing effect. Similarly, the heating system for the neck and shoulder area that is integrated into the additional cushion supports a comfortable journey.

*Business Class Package and Refrigerated Compartment Package shown available as optional equipment.





AIRMATIC.

AIRMATIC combines the advantages of several suspensions in one – choose between comfort and dynamism. The set-up range is particularly impressive. The air suspension provides outstanding ride comfort even on difficult roads or powerfully sporty performance. Practical: the level control system based on the vehicle load.



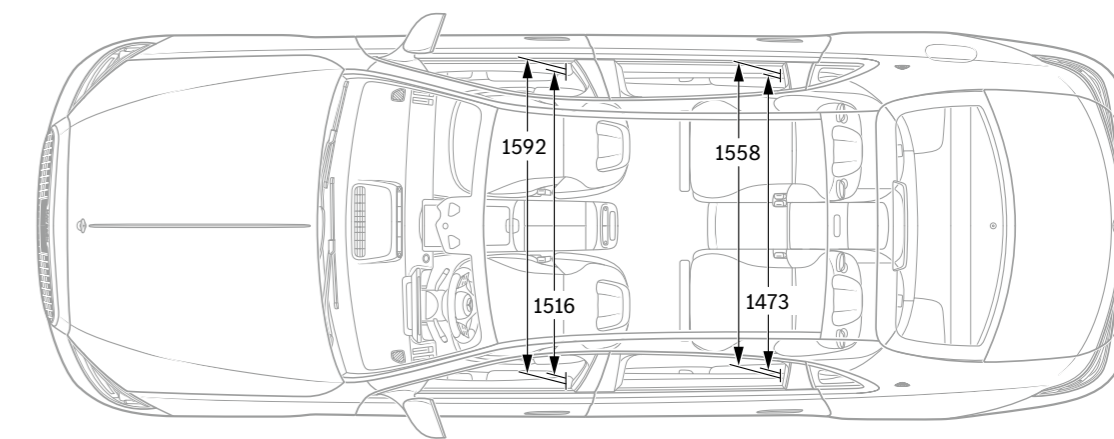
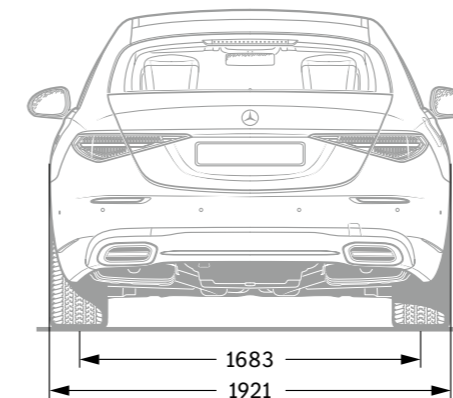
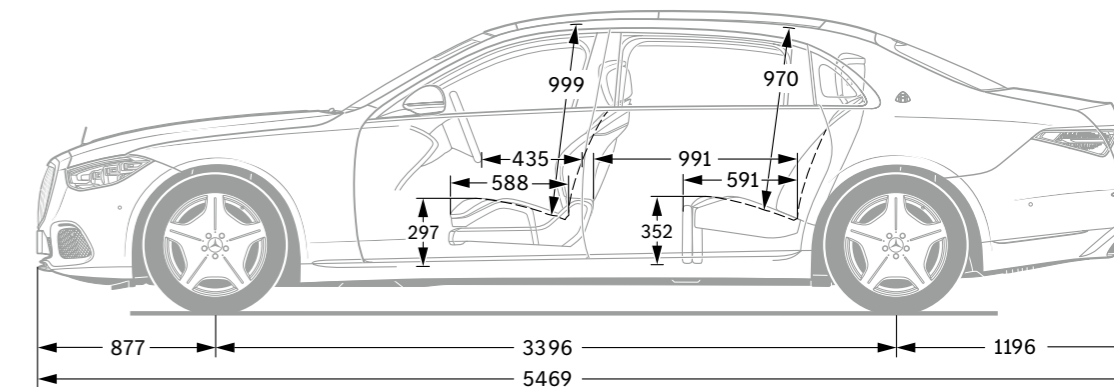
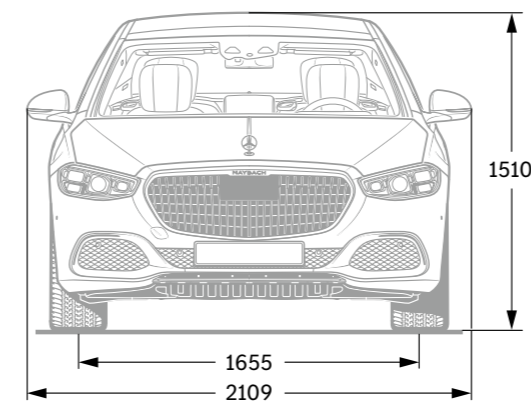
A unique driving program just for the rear-seat passengers.

The specially developed “Maybach” driving program focuses entirely on ride comfort for the passengers in the rear, while the COMFORT driving program offers balanced ride comfort for front and rear passengers. In the “Maybach” program, it is ensured that the sprung mass vibrations felt in the rear seats are kept to a minimum. Other settings include an extra-flat throttle curve in chauffeur mode, transmission tuning with fewer shifts, and starting in second gear.

Technical data*

Petrol engines	
S 680 4MATIC	
Displacement (cc)	5980
Rated output (kW [hp])	463 [630]/5100 - 5500
Acceleration from 0 to 100 km/h (s)	4.5
Indicative fuel consumption (l/100 km)	
Urban	20.3
Extra-urban	9.8
Combined	13.6
Combined CO ₂ emissions (g/km)	213

Dimensions.



The best for the engine:
Mercedes-Benz genuine engine oils.

*Figures stated (including declared fuel consumption and emission figures) are indicative only and determined by testing under track and/or standardised laboratory conditions which are (where applicable) conducted in accordance with ADR 81/02. The figures stated are for the purposes of comparison amongst vehicles tested under the same technical procedures only. Real world figures (particularly acceleration, fuel consumption and emission figures) may vary and are influenced by many additional factors such as, fuel quality, individual driving style, load, traffic, environmental and road conditions, ambient temperatures and vehicle condition.

*All figures in millimetres. They are indicative figures only based on basic specification vehicles and in unladen condition. Actual figures and values may vary and are influenced by many additional factors such as optional equipment. Customers should make additional enquiries based on the specifics of their vehicle to obtain accurate figures.



SPORT — F O R — GOOD

For 20 years now it has been our belief that sport has the power to connect people and motivate them in a unique way. We have facilitated urgently needed access to our support programmes for millions of children and young people, so helping them to achieve positive change in their lives. The programmes that we support together with Laureus Sport for Good are in line with the United Nations' Sustainable Development Goals and are part of an exciting major global movement to effect positive change in the world. **In buying a Mercedes-Benz you are supporting the “Laureus Sport for Good” movement.**

This Brochure is prepared by Daimler AG and it predominantly reflects the capabilities and performance of vehicles sold in Europe. Some characteristics, capabilities, performance features and optional extras (e.g. towing systems) may not be available or may not apply in Australia or under Australian conditions. The images and information in this Brochure is therefore indicative, illustrative and provided only for guidance and should not be relied on. To obtain current and accurate information on a vehicle and any options applicable to Australia, contact your local authorised Mercedes-Benz retailer. The information contained in this document is indicative only and final information should be obtained from a participating authorised retailer prior to purchase. Changes may have been made to the product since the editorial deadline on 11.24.2021.

The manufacturer reserves the right to discontinue or make changes to any goods or services and the information in this document without notice. All images shown are for illustrative purposes only and are displayed by way of example. Actual features/products/goods/services may differ slightly. Some vehicles or equipment pictured and/or features may not be available in Australia. All information in this document is to be read in conjunction with the applicable disclaimers. This publication and its text, images, graphics, sound files, animation files, video files and their arrangements are the property of Daimler AG. The publication may also contain objects that are subject to the copyright rights of third party providers. This publication is not to be copied, used for commercial purposes or distribution, nor may these objects be modified or reposted. All rights reserved.