

The S-Class Sedan



Mercedes-Benz



Cares for what matters.

The all new S-Class Sedan stands for poised assurance and responsibility. A personality with a sense of awareness that is there for you at every level, working with you and thinking ahead, always with your wellbeing at heart. A partner that you can rely on and in which you can confidently put your trust. Get on board.



This Brochure is prepared by Mercedes-Benz Group AG and it predominantly reflects the capabilities and performance of vehicles sold in Europe. Some characteristics, capabilities, performance features and optional extras (e.g. towing systems) may not be available or may not apply in Australia or under Australian conditions. The information in this Brochure is therefore indicative, illustrative and provided only for guidance and should not be relied on. To obtain current and accurate information on a vehicle and any options applicable to Australia, contact your local authorised Mercedes-Benz retailer.



Modern aesthetics and generous luxury in ideal harmony.

Reduced to the essentials. The exterior design, the design idiom of sensual purity in its most contemporary form. In profile with perfect proportions, flush door handles and new wheels. The distinctive front section with pioneering DIGITAL LIGHT* headlamps and the tail end with two-section lamps, emphasising the car's width.

*DIGITAL LIGHT available as optional equipment (projection functions are not available).

An interior to inspire.

The all new S-Class blends exquisite materials with fine surfaces and a progressive design. A showcasing of high-tech features and infotainment with intuitive operation. With the 64 colours of the active ambient lighting,* exciting colour schemes are created which can alternate dynamically or illuminate areas in different colours.

*Active ambient lighting available as optional equipment within the ENERGIZING package.





Always ready for you.

Extended intelligent safety systems such as the Driving Assistance Package offer maximum comfort and convenience, while also engendering added trust. The new headlamp technology DIGITAL LIGHT* also points in this direction, while innovative airbags in the backrests of the front seats** make travelling in the rear safer.

*DIGITAL LIGHT available as optional equipment (projection functions are not available).

**Available as standard equipment only on the LWB variant.



Wellness at the touch of a button.

The all new S-Class can fulfil many wishes, meaning that you climb out more relaxed than when you climbed in. Look forward to the ENERGIZING Coach for individual wellness programs or discover the seat massages with multicontour seats.* The high quality sound to match always comes from the Burmester® 3D surround sound system.

*ENERGIZING Coach and multicontour seats are included within the optional ENERGIZING package.



The Mercedes-Benz S-Class remains beyond compare.

The all new Mercedes-Benz S-Class is on the road to the future with the ultimate in driving refinement. The expressive design, unique convenience and safety technologies, the pioneering digital cockpit with the infotainment system MBUX as well as luxurious materials enable a driving experience the like of which has never been seen before in a car.



Digital cockpit.

The combination of 3D cockpit display, MBUX head-up display with augmented reality in the front windscreen* and the central OLED touch display represents an innovative and at the same time intuitive control concept. Thanks to the MBUX voice control the new S-Class can adapt to your requirements and support you.

*MBUX augmented reality in Head-Up display is optional.



Rear comfort highlights.

Inspiration and first-class feel-good comfort for the second row. Move the Executive seat* with the leg rest into a pleasant position for sleeping. The continuous business centre console in the rear turns your vehicle into an office on wheels. An extensive range of features such as folding tables* and a wireless charging system** for smartphones make for a more comfortable working and travelling environment. Or relax as you work with the MBUX rear tablet,** while also controlling the various comfort and entertainment functions.

*Executive seat, Business centre console and Folding tables in the rear available as optional equipment within the Business Class Package.

**Wireless charging for mobile phones in the rear and MBUX rear-seat tablet available as optional equipment within the Rear Entertainment Package. Feature only compatible with devices that support or can be upgraded to support the Qi standard. Check the compatibility of your device and vehicle in Australia at www.mercedes-benz-mobile.com or with your device manufacturer.



Active ambient lighting.*

You experience a technological leap here with the active ambient lighting. It combines aesthetics with innovative driver information and extended functions. Light strips and trim elements all the way round meld to form an additional level of lighting. This also supports driving assistance systems visually and thus emphasises the intelligence of your vehicle.

*Available as optional equipment within the ENERGIZING package.

Augmented reality head-up display.**

The MBUX augmented reality head-up display turns the windscreen into an extension of the digital cockpit. Transparent projections onto the windscreen augment the driver's field of vision with relevant information about the current driving situation. In this way the new S-Class is able to provide the driver with all key information, without them having to take their eyes off the road.

**Available as optional equipment.

Automatic door handles.

Flush, automatically extending door handles in an elegant design are available in conjunction with the electronic drive access authorisation system KEYLESS-GO. The doors can be locked and unlocked keylessly, by touching the door handles.

New rims.

The wheel range for the new S-Class Saloon includes high-quality light-alloy wheels in sizes 45.7 cm (18 inches*) to 53.3 cm (21 inches), depending on the precise specification. The stylish sportiness of the vehicle is given additional emphasis with the modern wheel design, wide track and flush wheels.

*Wheel range starts at 20-inch as standard equipment.

Standard equipment and appointments.

Cutting-edge technology, a high level of comfort and exceptional luxury – this is what the Mercedes-Benz S-Class stands for. It already demonstrates this claim with its standard equipment. Examples include the Driving Assistance Package and MULTIBEAM LED. The interior is also fully in keeping with the vehicle's status, with leather seats, ambient lighting and MBUX infotainment.



The AMG Line.*

With the AMG Line you are making a clear statement on dynamism, both inside and out. The AMG front apron in an A-wing design underscores the expressive character of your vehicle. In addition, the multifunction sports steering wheel in nappa leather with flattened bottom section, the AMG pedal assembly and AMG floor mats lend your interior sporty highlights.

*Available as optional equipment.



The Business Class Package.*

Enjoy feel-good comfort with the Business Class Package. The front passenger seat can be moved significantly further forward, while its EASY ADJUST luxury head restraint can also be folded down. This allows the rear-seat passenger on this side to benefit from a better view of the road, while they can also rest their weary legs on the fold-out footrest behind the front passenger seat.

*Available as optional equipment.



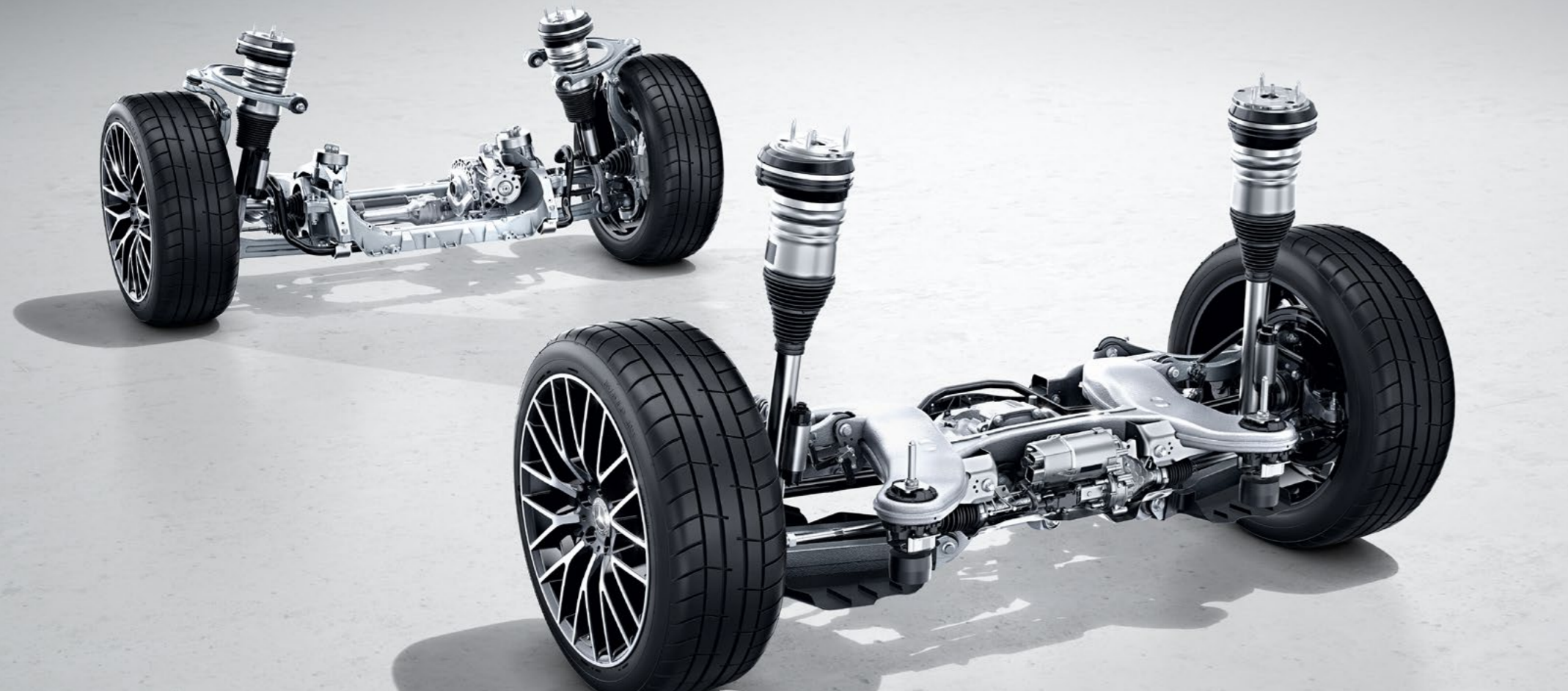
The Exclusive Package.*

Enjoy a fantastic atmosphere with the Exclusive Package. Virtually all surfaces are finished in exquisite nappa leather,** the roof liner in high-quality DINAMICA microfibre. This exceptional high-class appeal is perfectly complemented by additional trim elements.

*Available as optional equipment.

**Leather upholstery may contain some areas upholstered with synthetic ARTICO material to increase durability and reduce long-term wear and tear.





AIRMATIC.

AIRMATIC combines the advantages of several suspensions in one – choose between comfort and dynamism. The set-up range is particularly impressive. The air suspension provides outstanding ride comfort even on difficult surfaces or during powerfully sporty performance. Practical: the level control system based on the vehicle load.



Rear axle steering.*

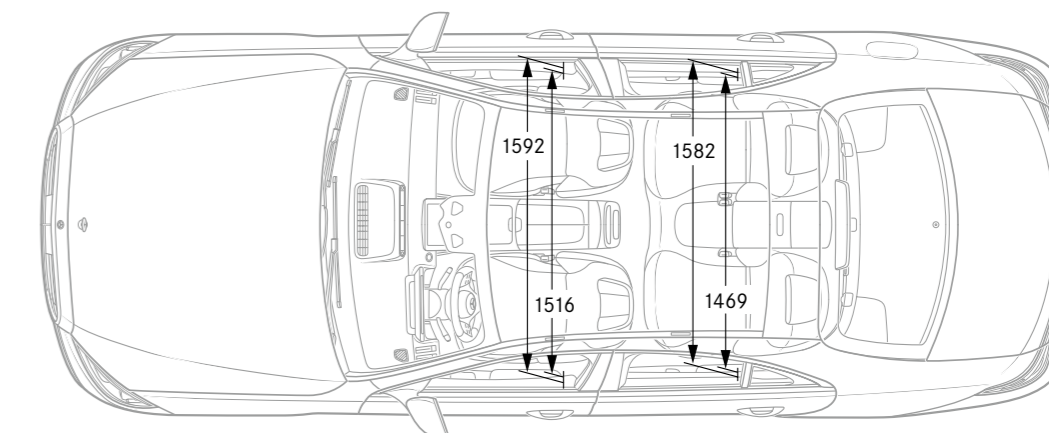
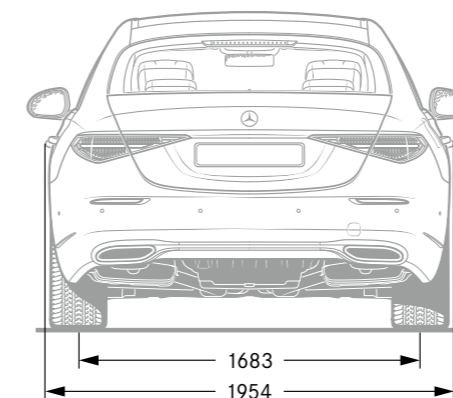
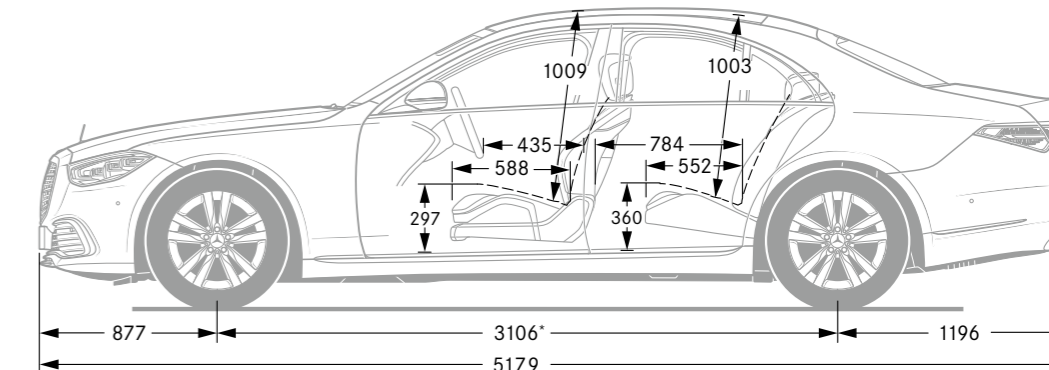
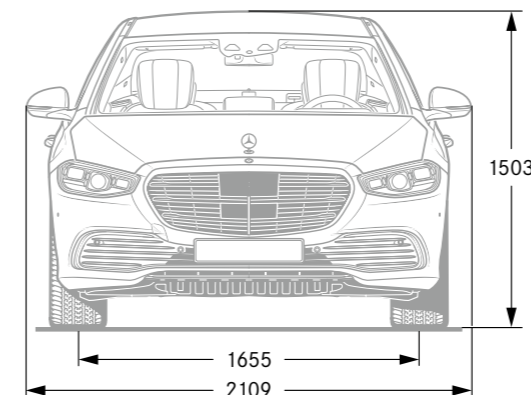
You enjoy no fewer than three advantages with the rear axle steering: even more confident roadholding, considerably increased agility and, last but not least, better manoeuvrability – for example when parking. The rear wheels steer against or in the same direction as the front wheels depending on the driving speed.

*Available as optional equipment.

Technical data.

	Petrol engines	
	S 450 4MATIC	S 450L 4MATIC
Displacement (cc)	2999	2999
Rated output (kW [hp])	270 [367]/5500-6100	270 [367]/5500-6100
Acceleration from 0 to 100 km/h (s)	5.1	5.1
Top speed (km/h)	250	250
Fuel consumption ⁴ (l/100 km)		
Urban	11.3	11.5
Extra-urban	6.4	6.5
Combined	8.2	8.4
Combined CO ₂ emissions (g/km)	187	190

Dimensions.*



**The best for the engine:
Mercedes-Benz genuine engine oils.**

The declared fuel consumption figures are determined by testing under standardised laboratory conditions in accordance with ADR 81/02. The fuel consumption figures stated are for the purposes of comparison amongst vehicles tested under the same technical procedures only. Real world energy consumption figures may vary and are influenced by many additional factors such as, individual driving style, load, traffic, ambient temperature and vehicle condition.

All figures in millimetres. The pictured dimensions are mean values. They are valid for vehicles with standard equipment and in unladen condition.

*Dimensions shown for SWB variant (wheelbase on LWB variant extended by 110mm).



SPORT — F O R — GOOD

Mercedes-Benz AG is one of the founding partners of the worldwide "Laureus Sport for Good Foundation", which was established in 2000. It is the Mercedes-Benz brand's most important social initiative.

Laureus Sport for Good supports children and young people in need through social sports projects, opening up new perspectives and imparting important values such as team spirit, respect and determination. "Change the Game for Kids" is our mission statement which we wish to share with you. In buying a Mercedes-Benz you are supporting the "Laureus Sport for Good" movement.

Please note: Changes may have been made to the product since the editorial deadline on 01.03.2021.

The manufacturer reserves the right to make changes to the design, form, colour and the delivery scope during the delivery period, provided these changes, while taking into account the interests of the seller, can be deemed reasonable for the buyer. Where the seller or the manufacturer uses symbols or numbers to describe an order or the subject of an order, no rights may be derived solely from these. The illustrations may also show accessories and optional equipment, which are not part of the standard delivery scope. Therefore, please ask your Mercedes-Benz sales representative about the provisions and effects applicable in other countries and about the latest definitive version. www.mercedes-benz.com.au